

US00D534818S

(12) **United States Design Patent**  
**Schoen et al.**

(10) **Patent No.:** **US D534,818 S**  
(45) **Date of Patent:** **\*\* Jan. 9, 2007**

(54) **SENSOR**

(75) Inventors: **Dierk Schoen**, Egelsbach (DE);  
**Dionissios Divaris**, Griesheim (DE)

(73) Assignee: **Pepperl + Fuchs GmbH**, Mannheim (DE)

(\*\*) Term: **14 Years**

(21) Appl. No.: **29/240,871**

(22) Filed: **Oct. 20, 2005**

(30) **Foreign Application Priority Data**

Jun. 1, 2005	(EM)	.....	000349279-0006
Jun. 1, 2005	(EM)	.....	000349279-0007
Jun. 1, 2005	(EM)	.....	000349279-0011
Jun. 1, 2005	(EM)	.....	000349279-0005

(51) **LOC (8) Cl.** ..... **10-04**

(52) **U.S. Cl.** ..... **D10/46**

(58) **Field of Classification Search** ..... D10/46;  
D24/107, 133; 600/446, 456, 459  
See application file for complete search history.

(56) **References Cited**

**U.S. PATENT DOCUMENTS**

6,126,608 A	*	10/2000	Kemme et al.	.....	600/459
2004/0204650 A1	*	10/2004	Taylor	.....	600/459

**FOREIGN PATENT DOCUMENTS**

DE 20106871 U1 4/2001

\* cited by examiner

*Primary Examiner*—Antoine D. Davis

(74) *Attorney, Agent, or Firm*—Crowell & Moring LLP

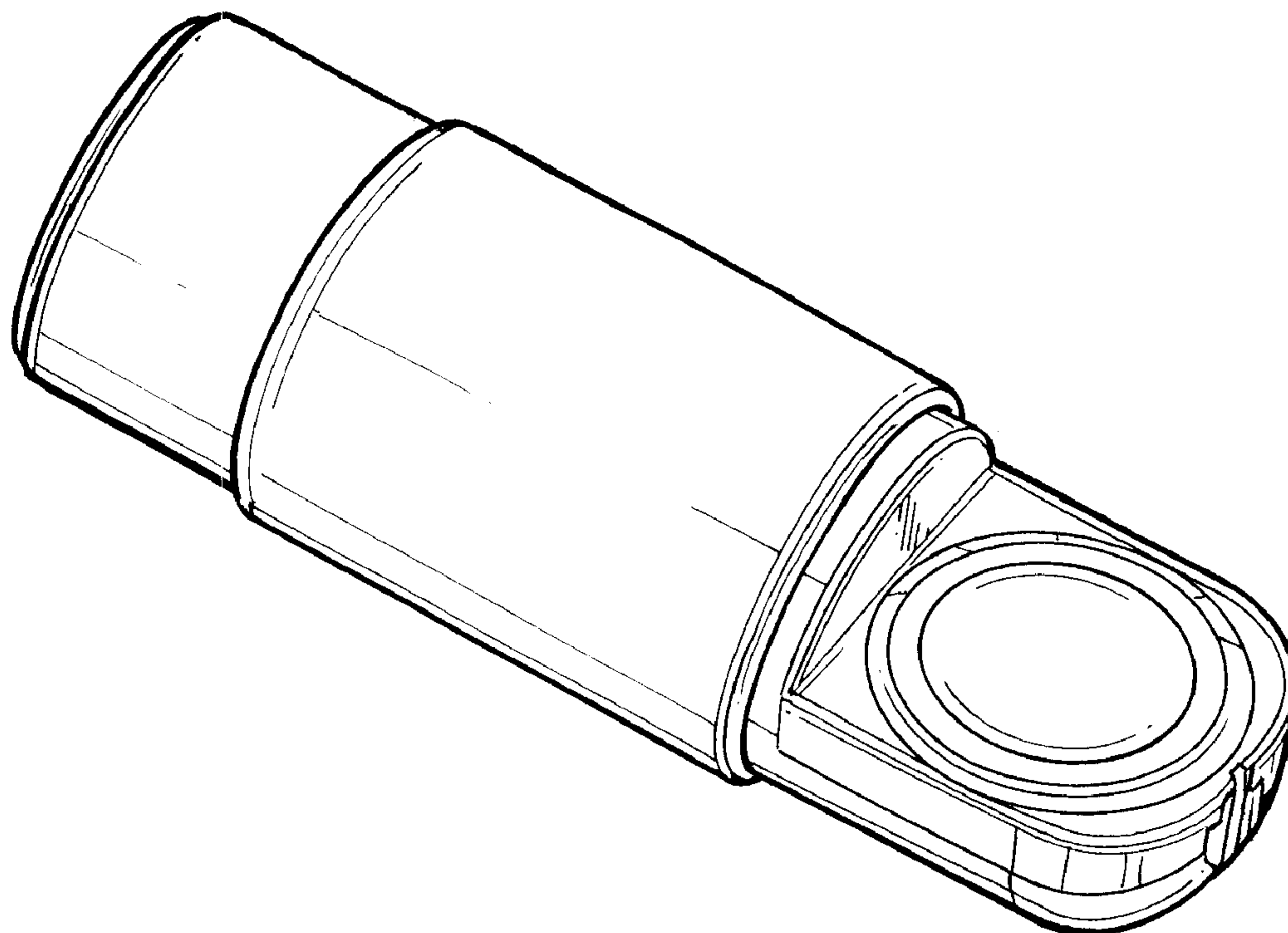
(57) **CLAIM**

The ornamental design for a sensor, as shown and described.

**DESCRIPTION**

FIG. 1 is a perspective view of a first embodiment of a sensor according to our novel design;  
 FIG. 2 is a front view thereof;  
 FIG. 3 is a side view thereof; and  
 FIG. 4 is a rear view thereof.  
 FIG. 5 is a perspective view of a second embodiment of the sensor according to our novel design;  
 FIG. 6 is a front view thereof;  
 FIG. 7 is a side view thereof; and  
 FIG. 8 is a rear view thereof.  
 FIG. 9 is a perspective view of a third embodiment of the sensor according to our novel design;  
 FIG. 10 is a front view thereof;  
 FIG. 11 is a side view thereof; and  
 FIG. 12 is a rear view thereof.  
 FIG. 13 is a perspective view of a fourth embodiment of the sensor according to our novel design;  
 FIG. 14 is a front view thereof;  
 FIG. 15 is a side view thereof; and,  
 FIG. 16 is a rear view thereof.

**1 Claim, 4 Drawing Sheets**



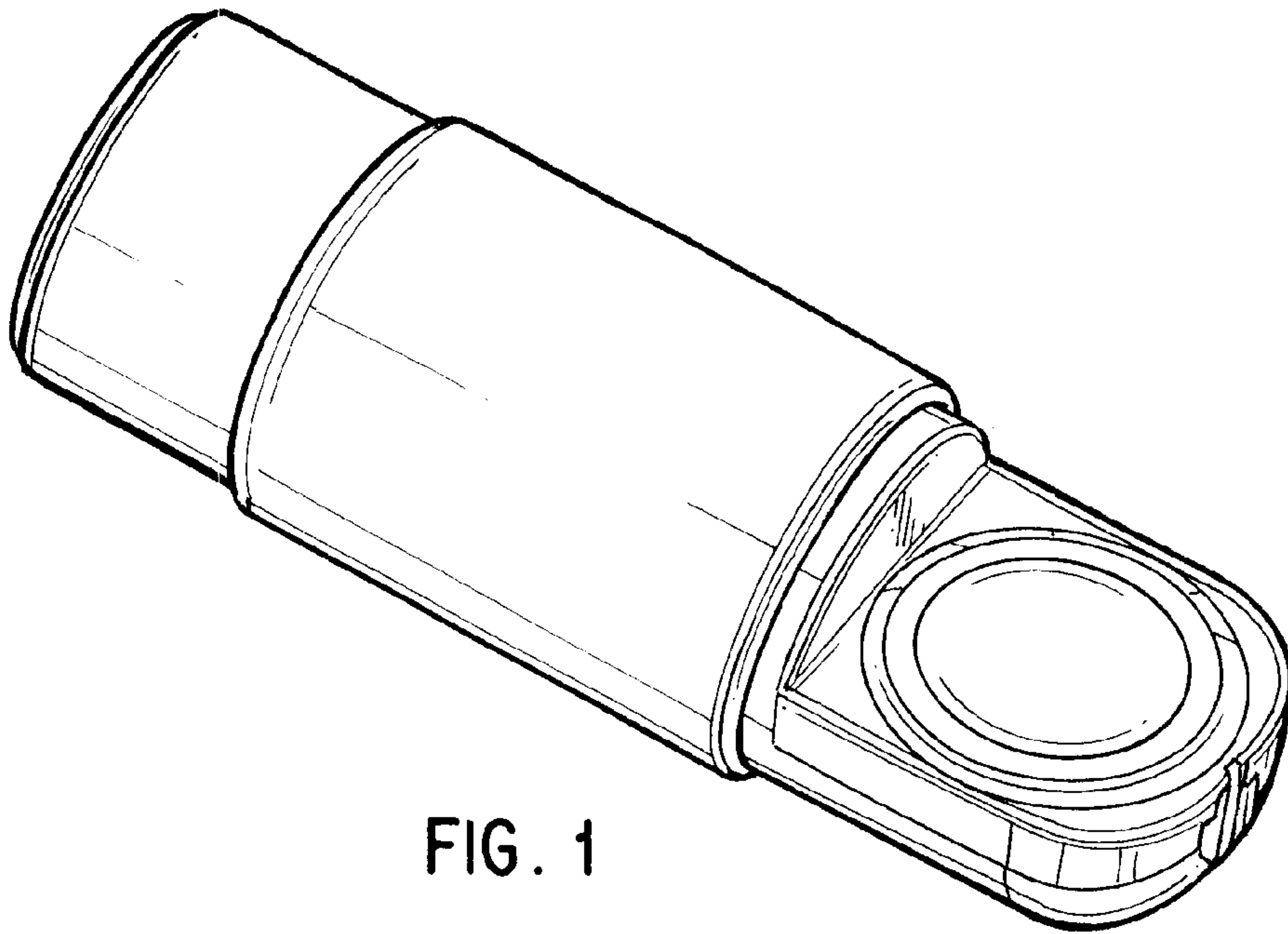


FIG. 1

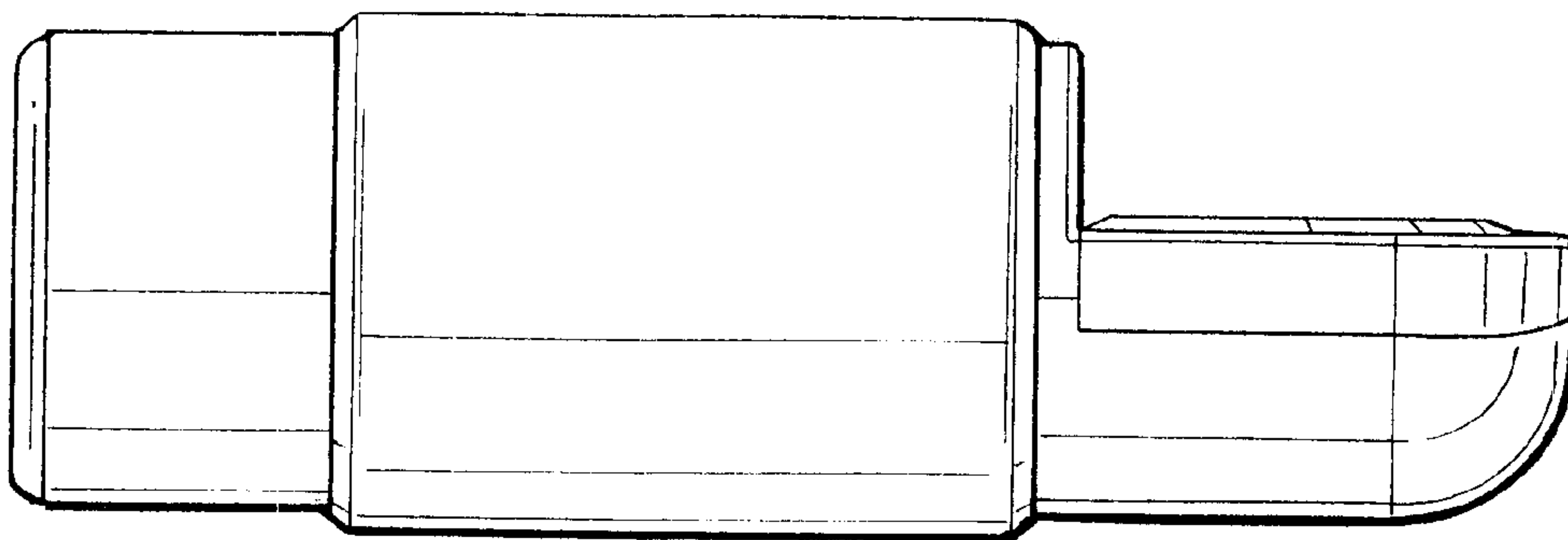


FIG. 3

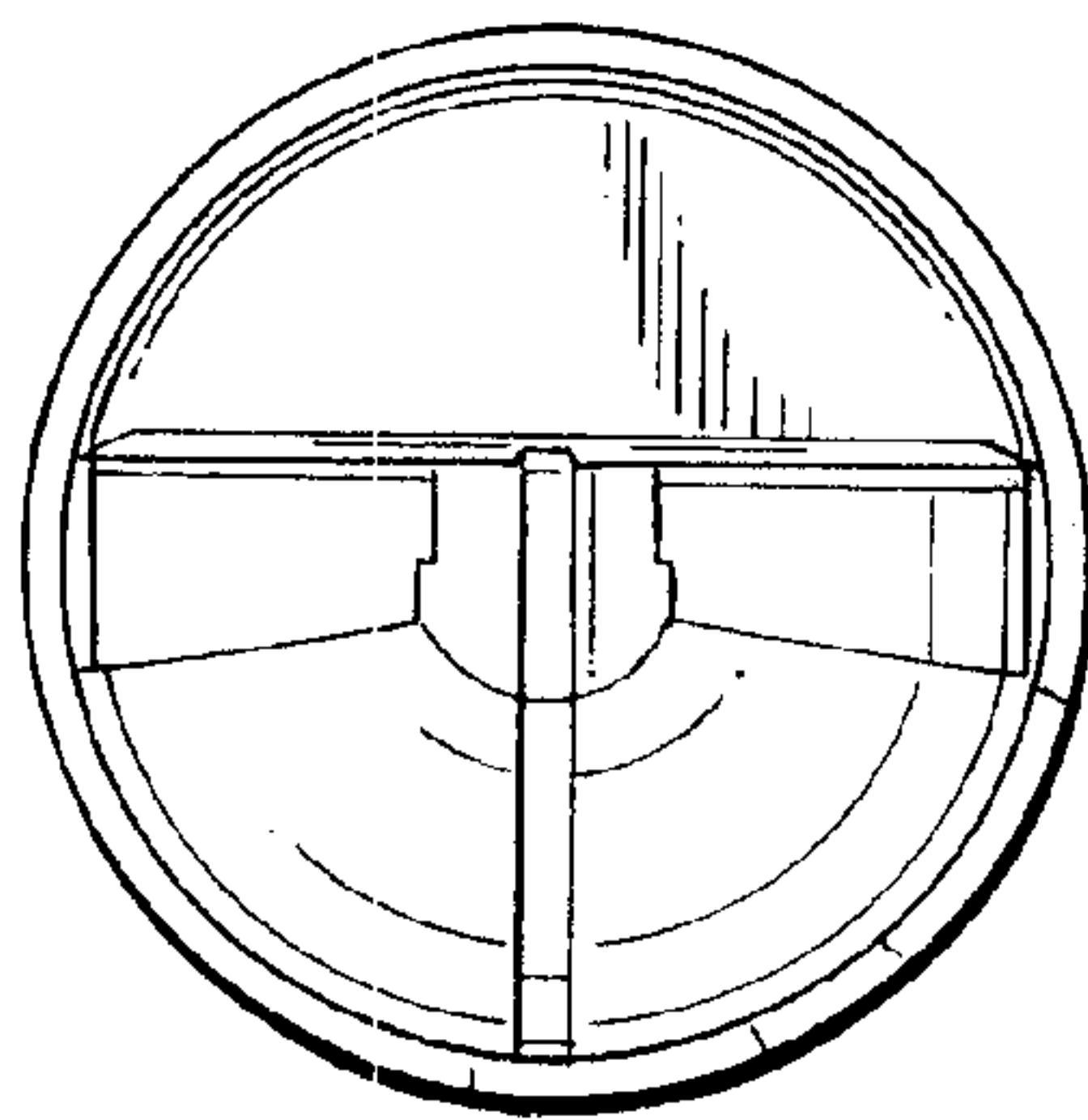


FIG. 2

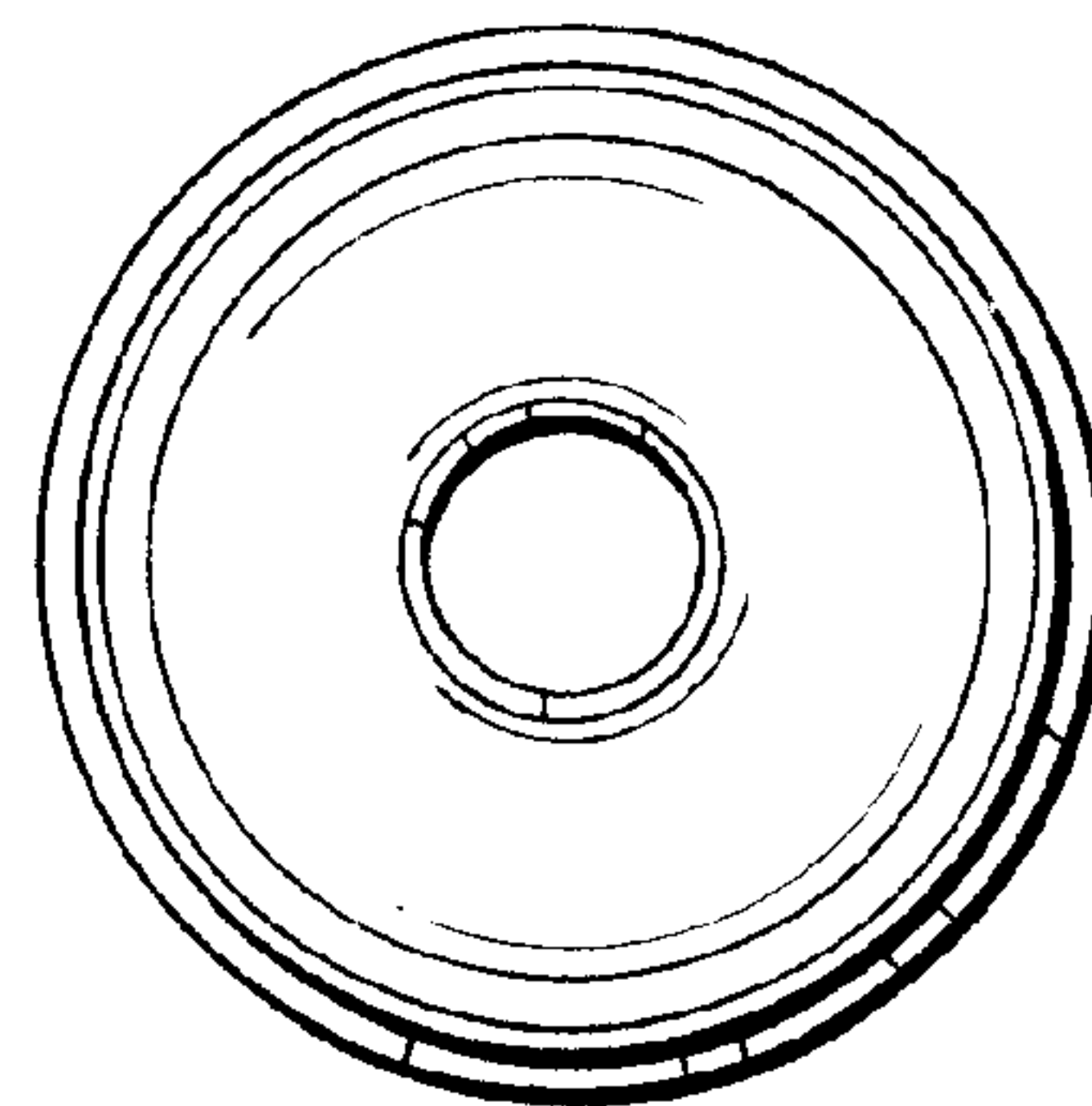


FIG. 4

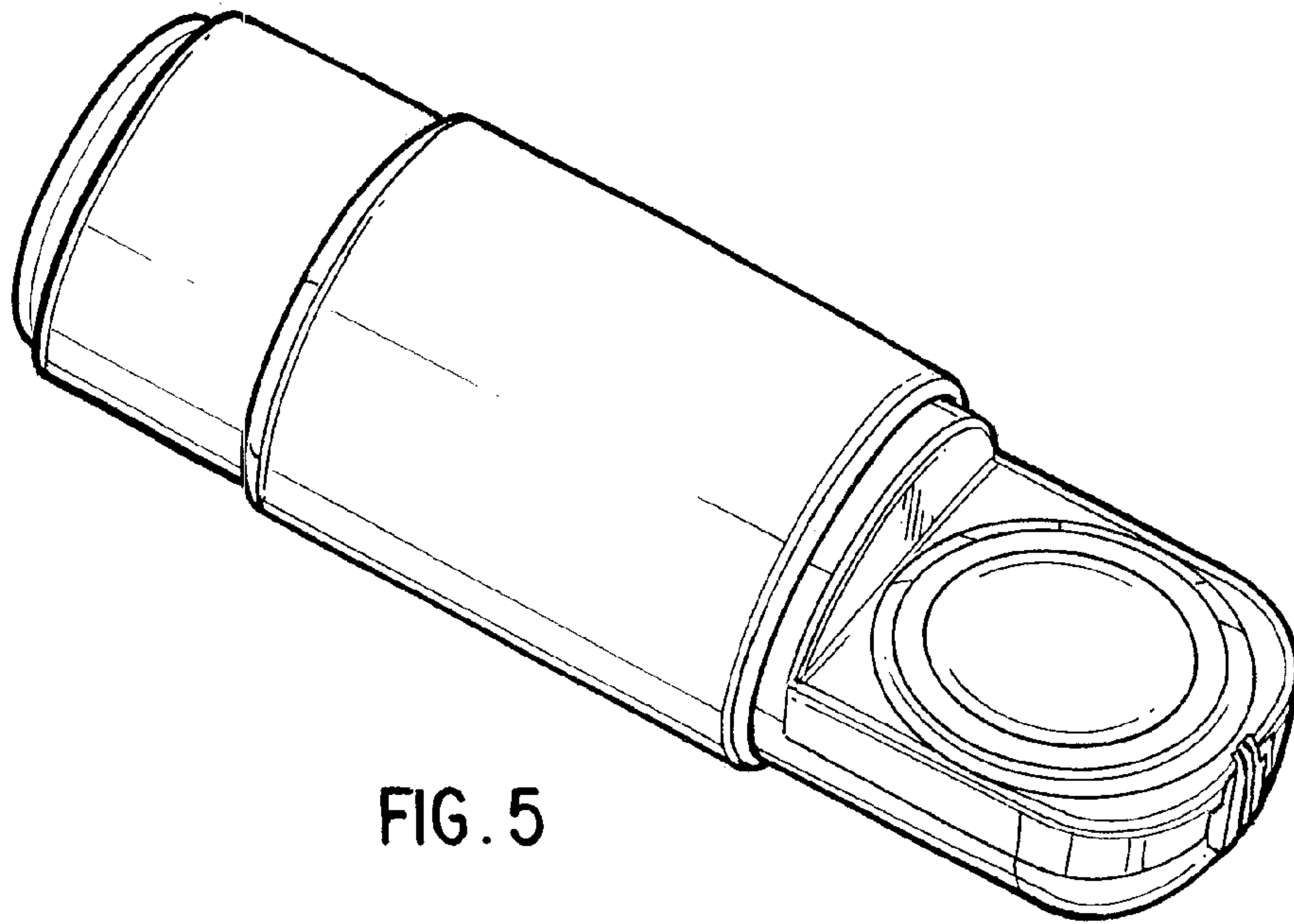


FIG. 5

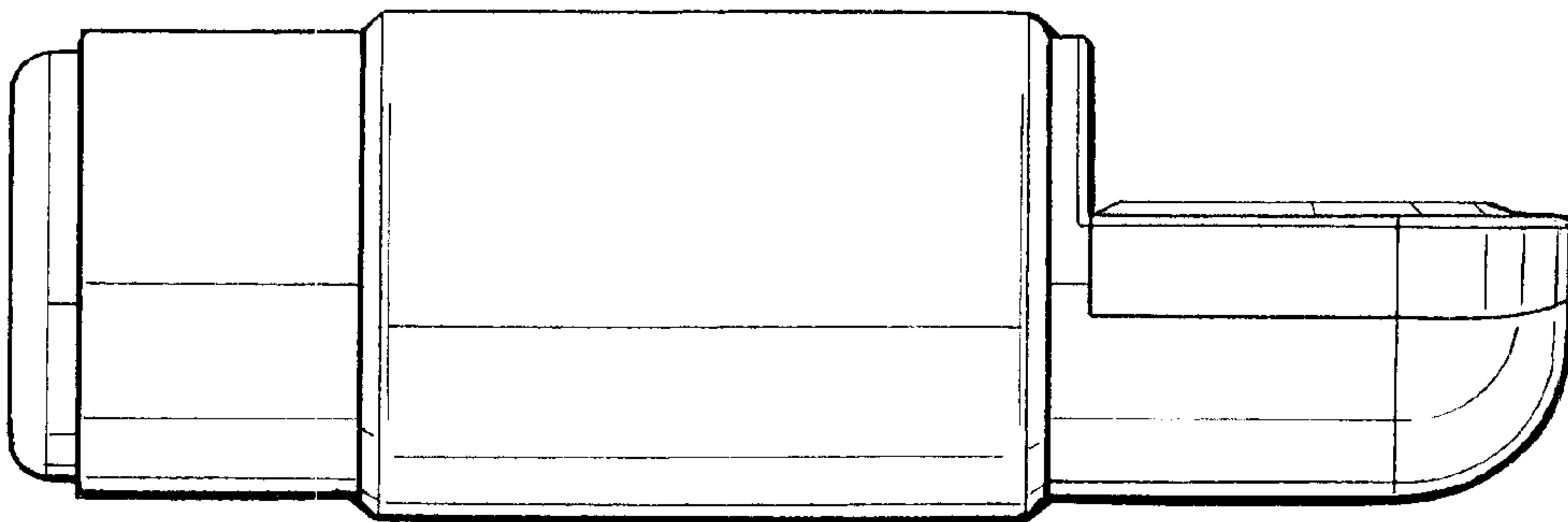


FIG. 7

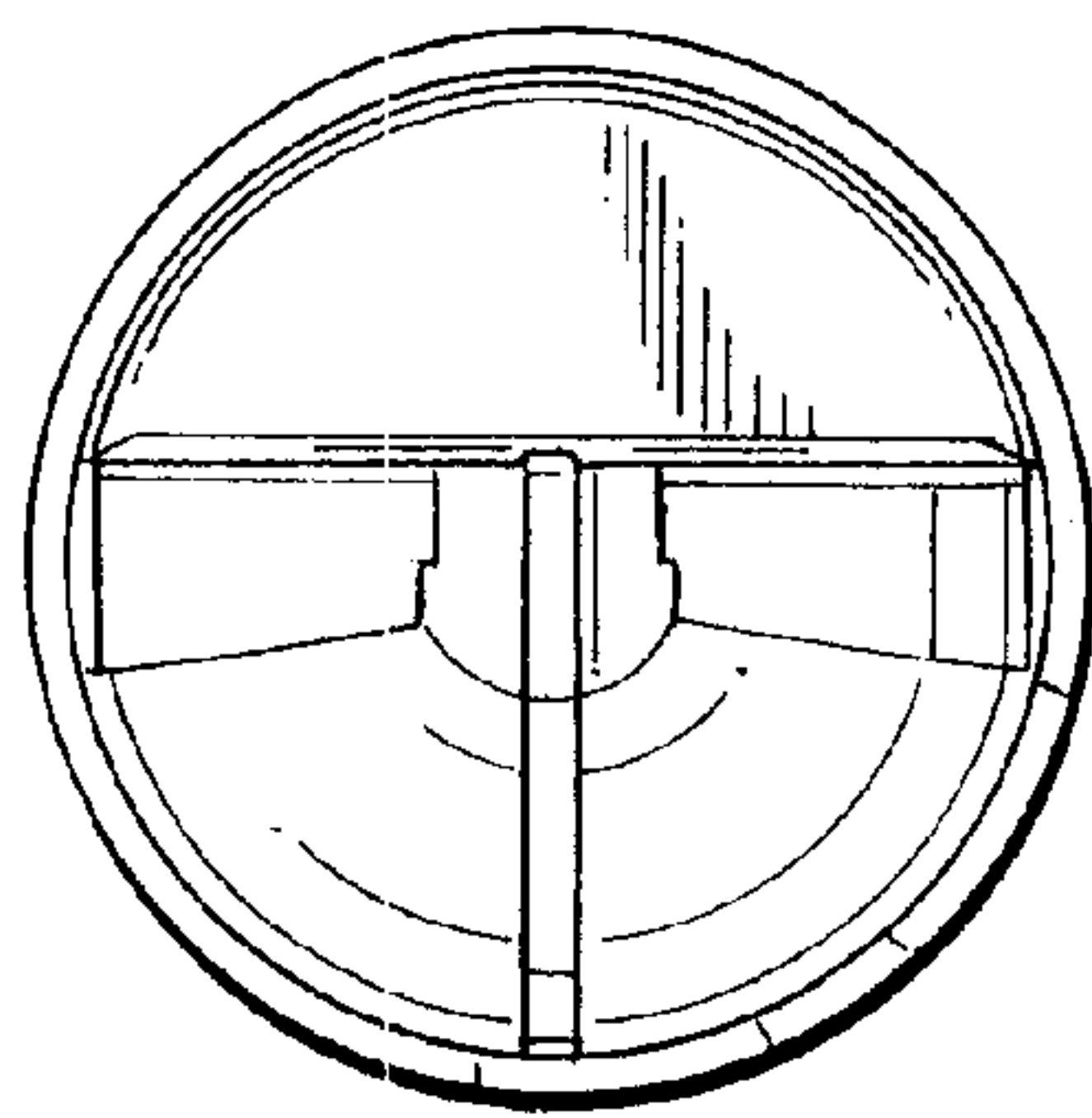


FIG. 6

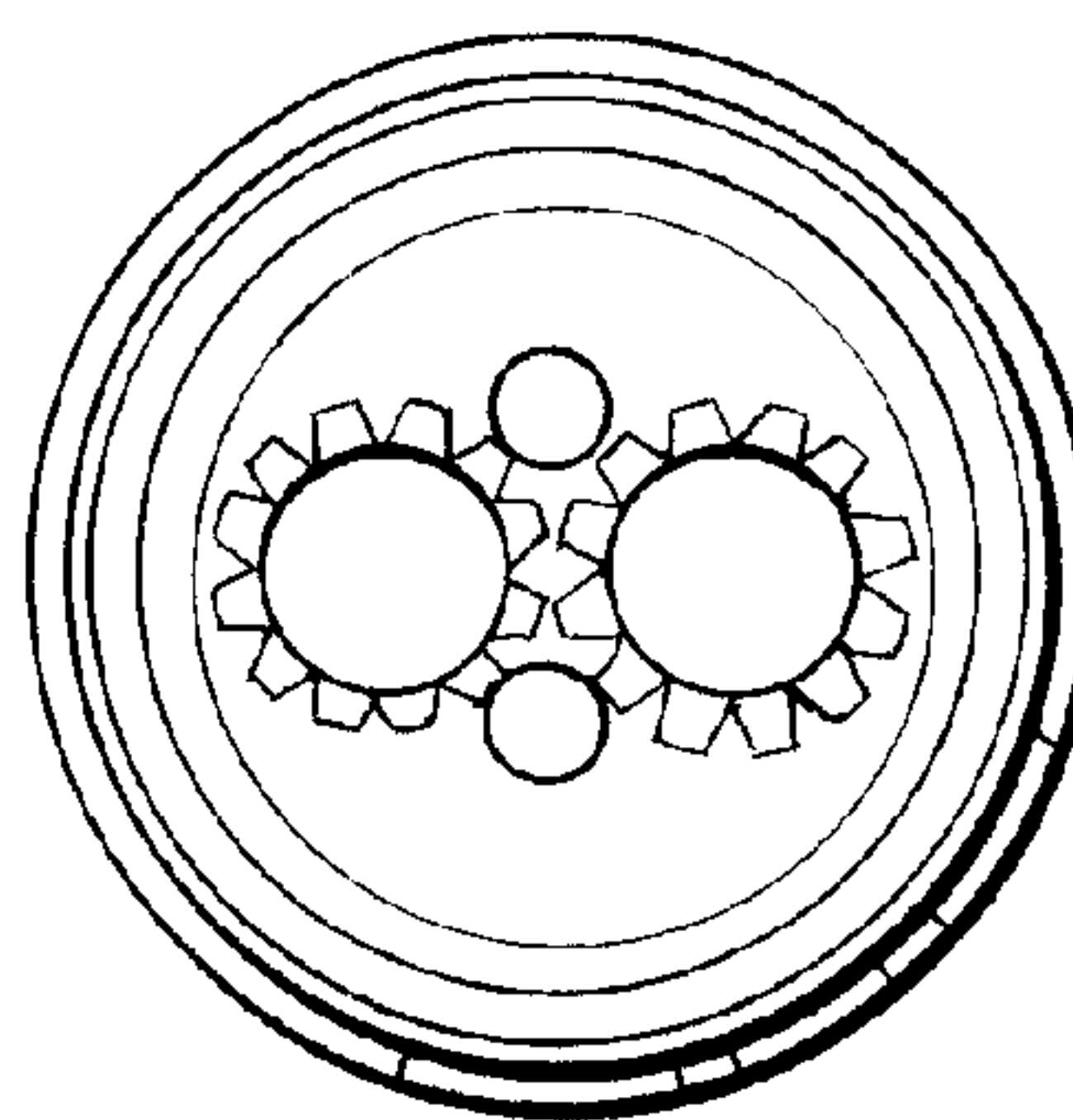


FIG. 8

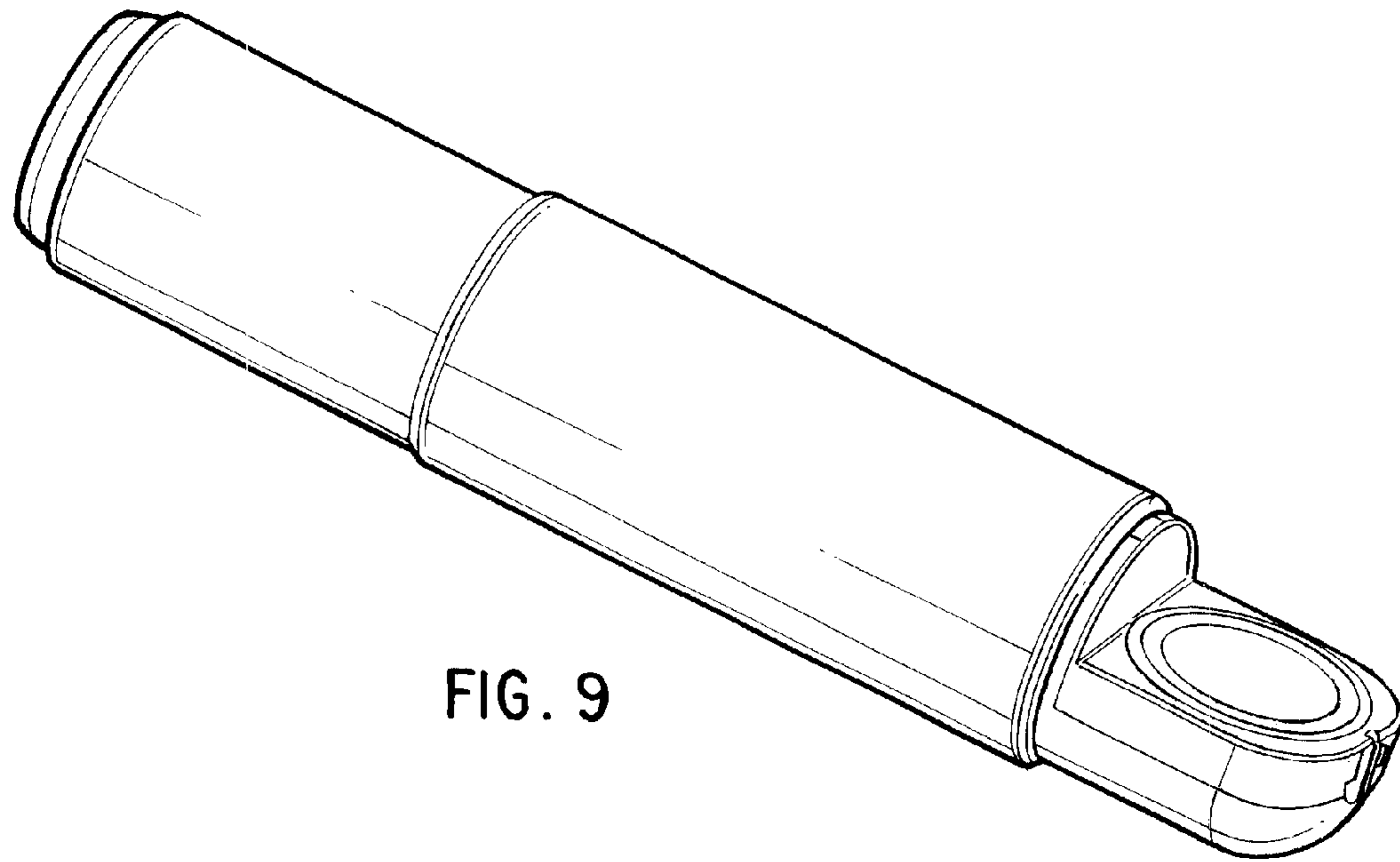


FIG. 9

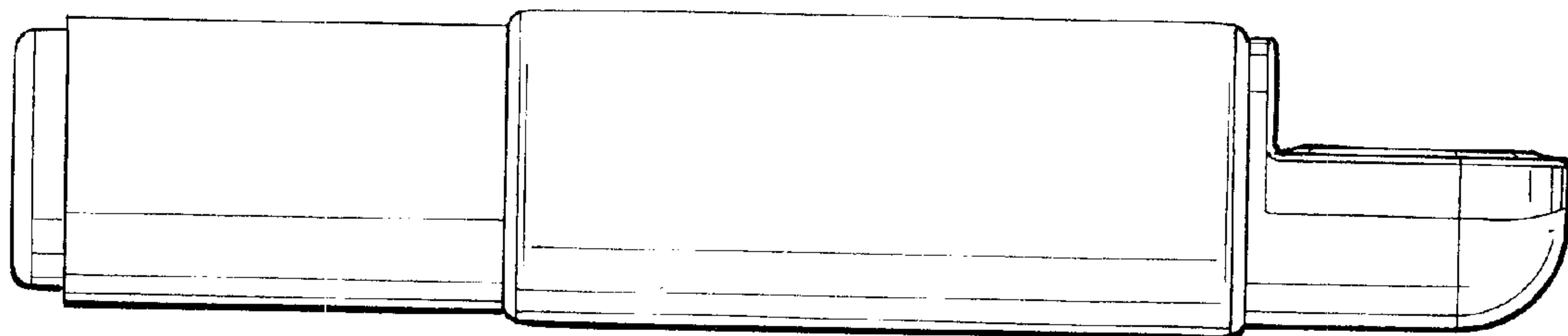


FIG. 11

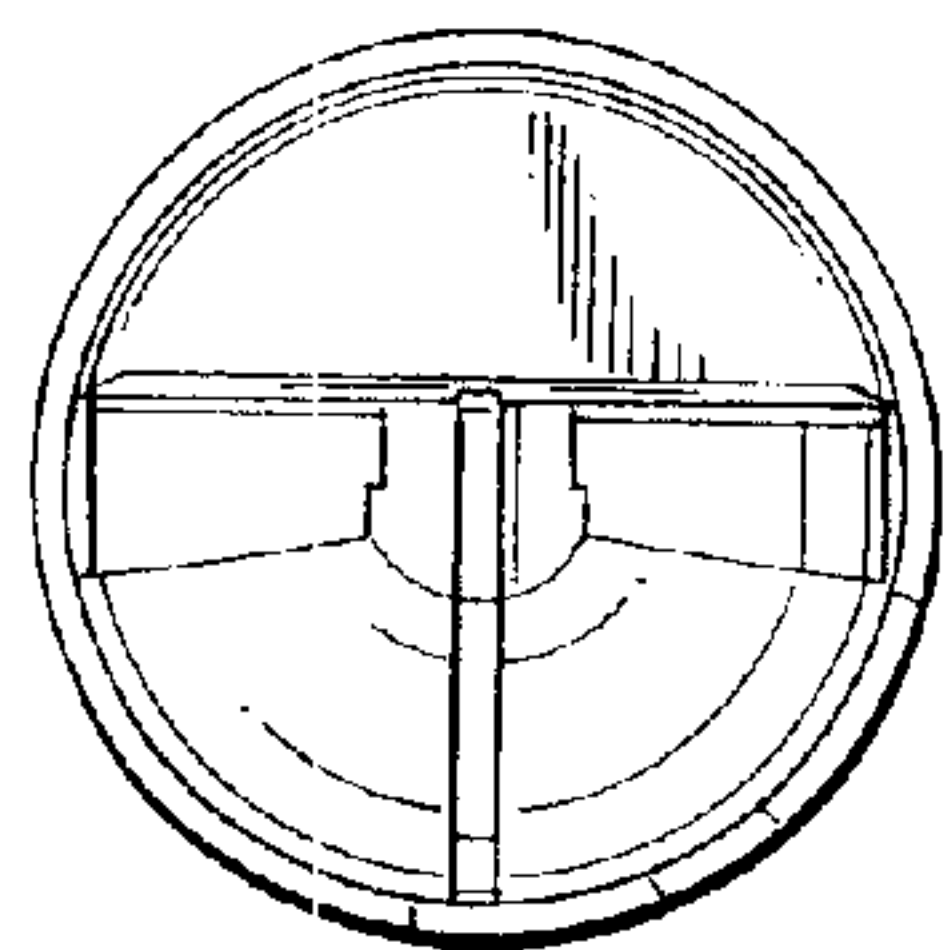


FIG. 10

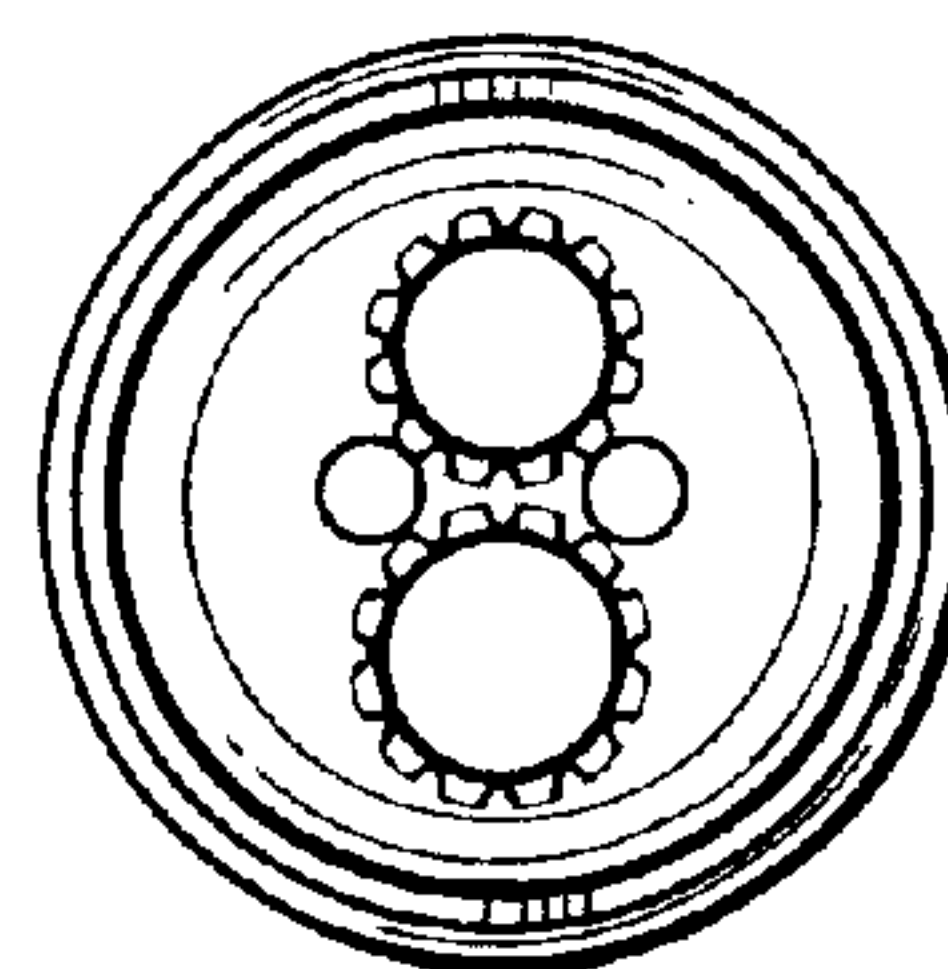


FIG. 12



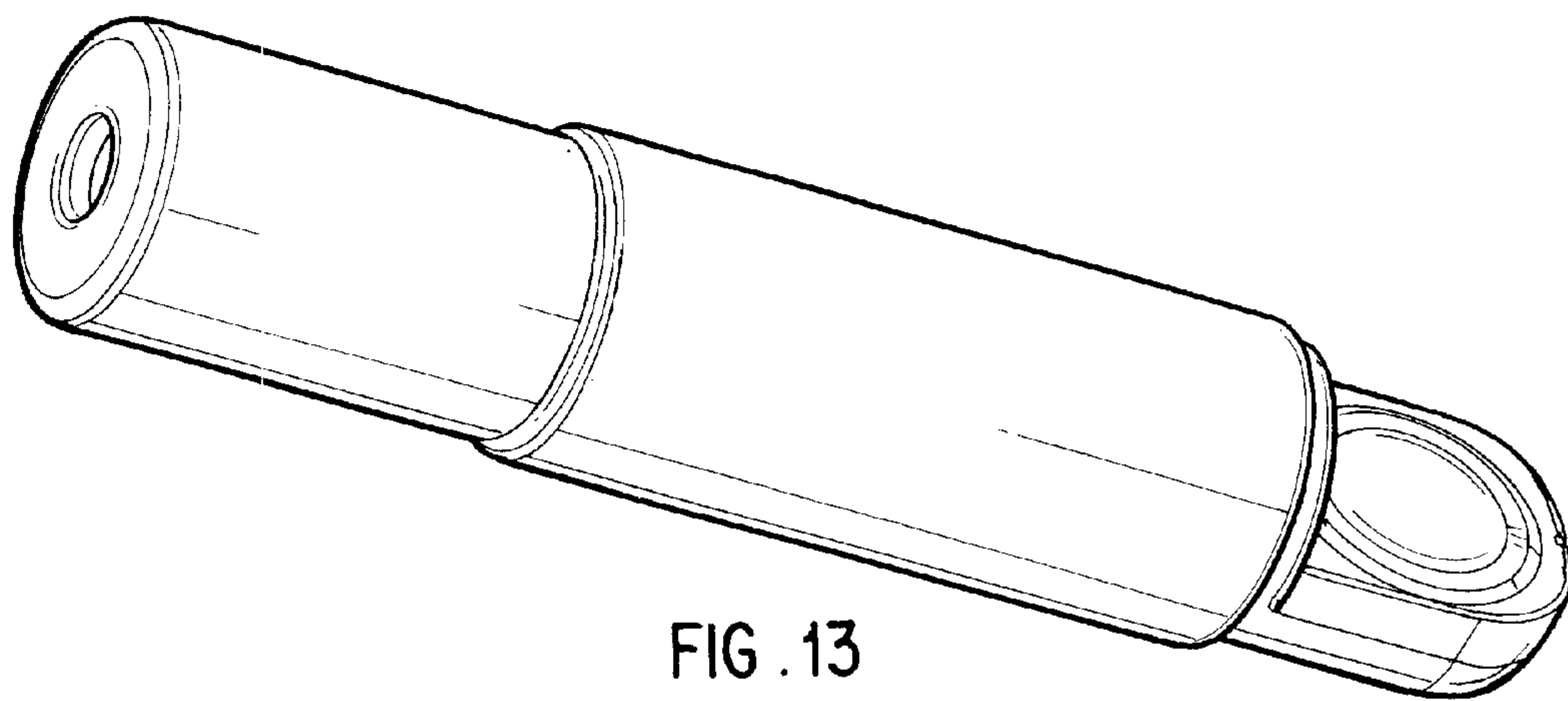


FIG. 13

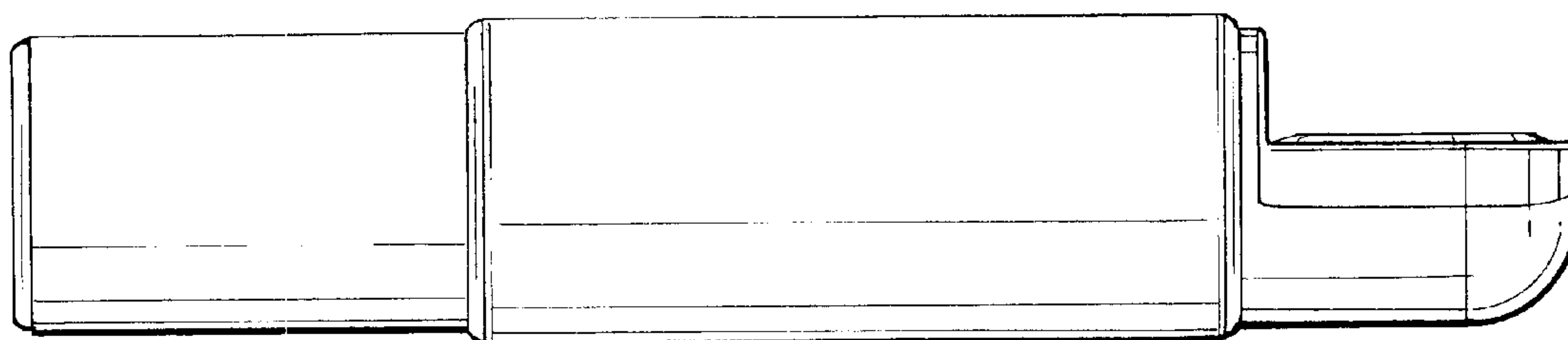


FIG. 15

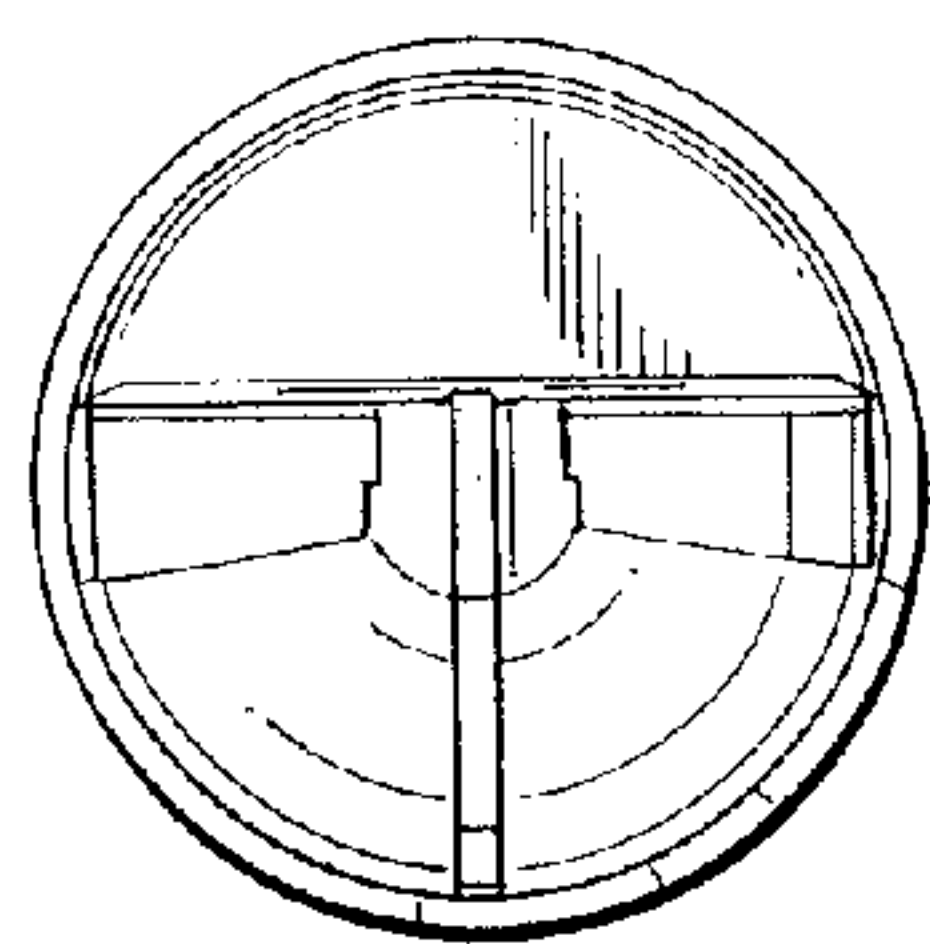


FIG. 14

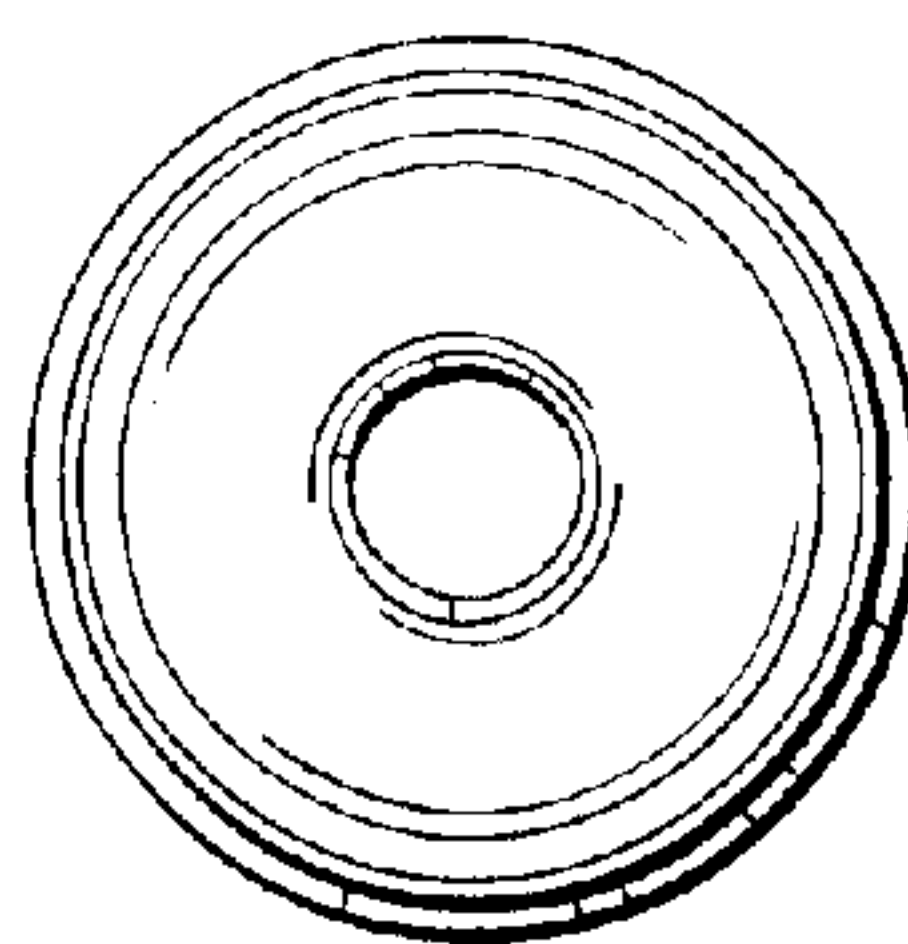


FIG. 16