

US00D534810S

(12) **United States Design Patent**  
**Sellars**

(10) **Patent No.:** **US D534,810 S**

(45) **Date of Patent:** **\*\* Jan. 9, 2007**

(54) **PRODUCT DISPLAY PACKAGING**

(75) Inventor: **John C. Sellars**, Wauwatosa, WI (US)

(73) Assignee: **Sellars Absorbent Materials, Inc.**,  
Milwaukee, WI (US)

(\*\*) Term: **14 Years**

(21) Appl. No.: **29/230,272**

(22) Filed: **May 18, 2005**

(51) **LOC (8) Cl.** ..... **09-01**

(52) **U.S. Cl.** ..... **D9/675; D9/430**

(58) **Field of Classification Search** ..... D3/270-271.12;  
D7/607, 613, 619.2, 628; D9/600, 672-678,  
D9/414, 418, 430, 432; D21/548-550; 220/890;  
206/457, 459.1, 822, 823; D12/88, 91; 229/116.4  
See application file for complete search history.

(56) **References Cited**

**U.S. PATENT DOCUMENTS**

- D270,946 S \* 10/1983 Brauer ..... D21/548
- 5,310,109 A \* 5/1994 Prime et al. .... 206/457
- D349,632 S \* 8/1994 Nicholson et al. .... D7/613
- D369,023 S \* 4/1996 Cheng ..... D3/271.12

- D374,175 S \* 10/1996 Tesar ..... D9/675
- D386,399 S \* 11/1997 Stokely et al. .... D9/675
- D423,886 S \* 5/2000 Lieblein ..... D7/628
- 6,112,887 A \* 9/2000 Harrison ..... 206/457
- D447,339 S \* 9/2001 Rosmon ..... D3/271.12

\* cited by examiner

*Primary Examiner*—Sandra L. Morris

(74) *Attorney, Agent, or Firm*—Fredrikson & Byron, P.A.

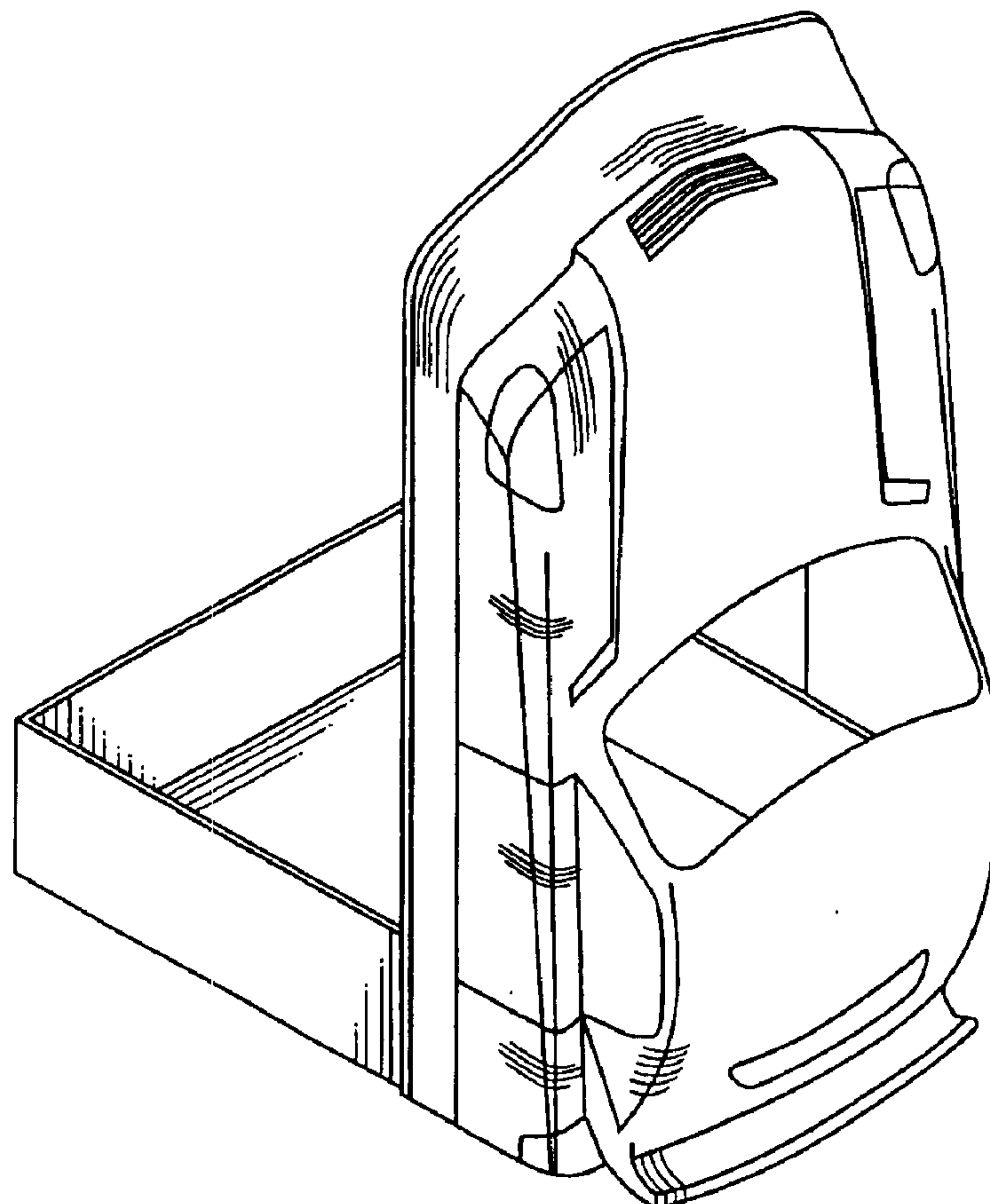
(57) **CLAIM**

I claim the ornamental design for the product display packaging, as shown and described.

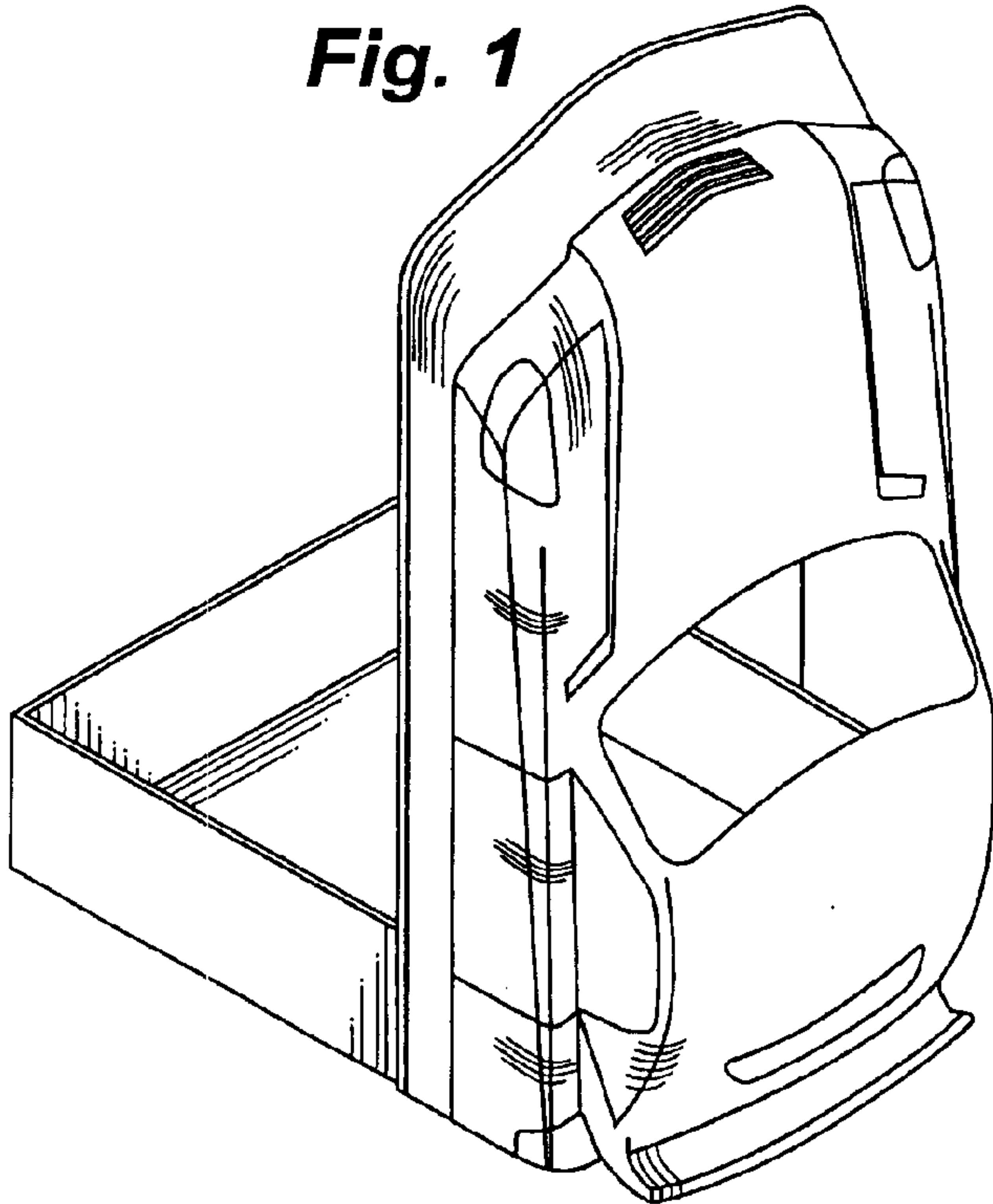
**DESCRIPTION**

FIG. 1 is a perspective view of the product display packaging of my design, shown in an open position and having openings through which product in the tray may be viewed; FIG. 2 is a top view of my design; FIG. 3 is a bottom view of my design; FIG. 4 is a front view of my design; FIG. 5 is a rear view of my design; and, FIG. 6 is a side view of the product display packaging of my design, the other side view being a mirror image thereof.

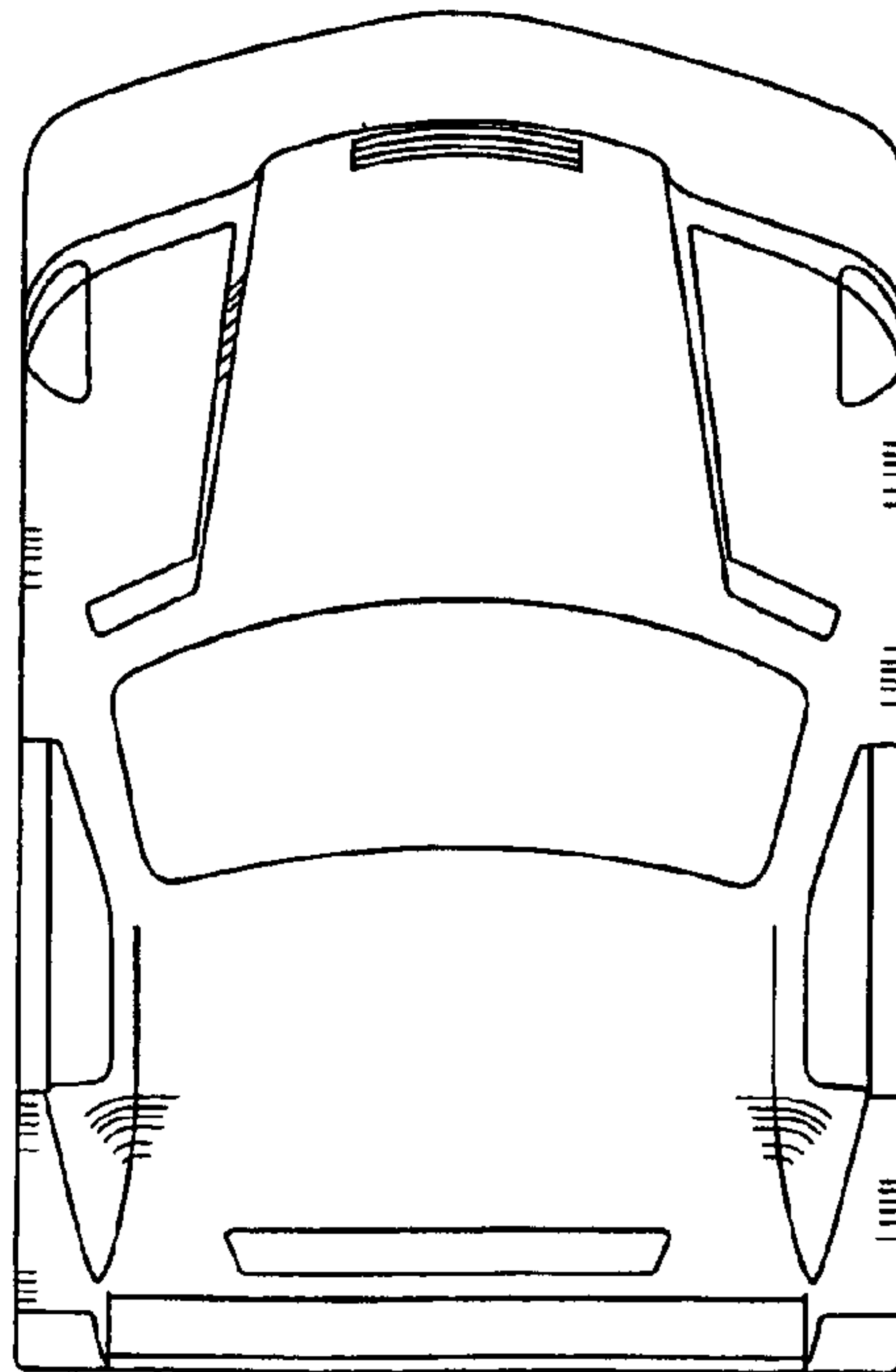
**1 Claim, 3 Drawing Sheets**



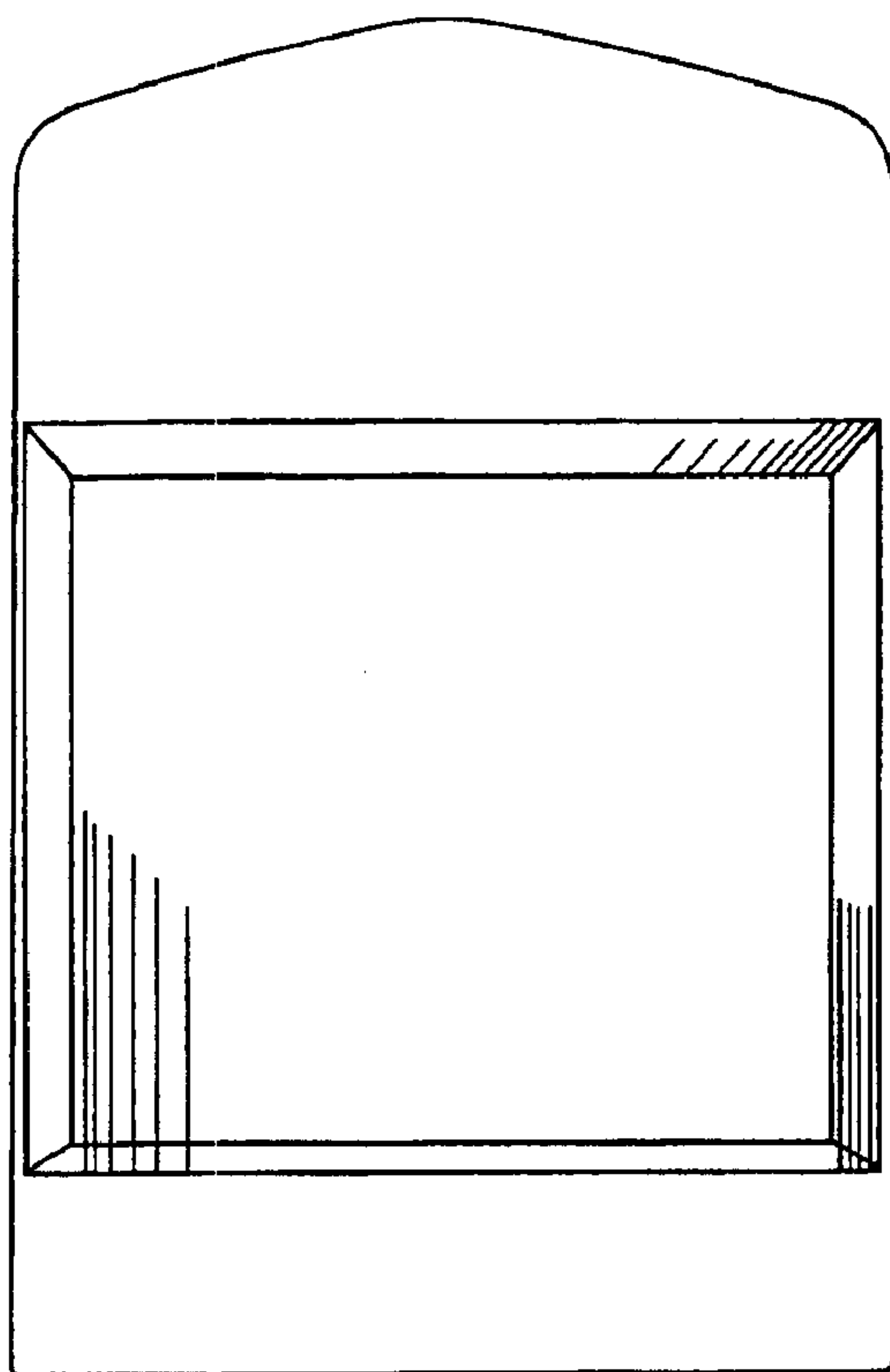
**Fig. 1**



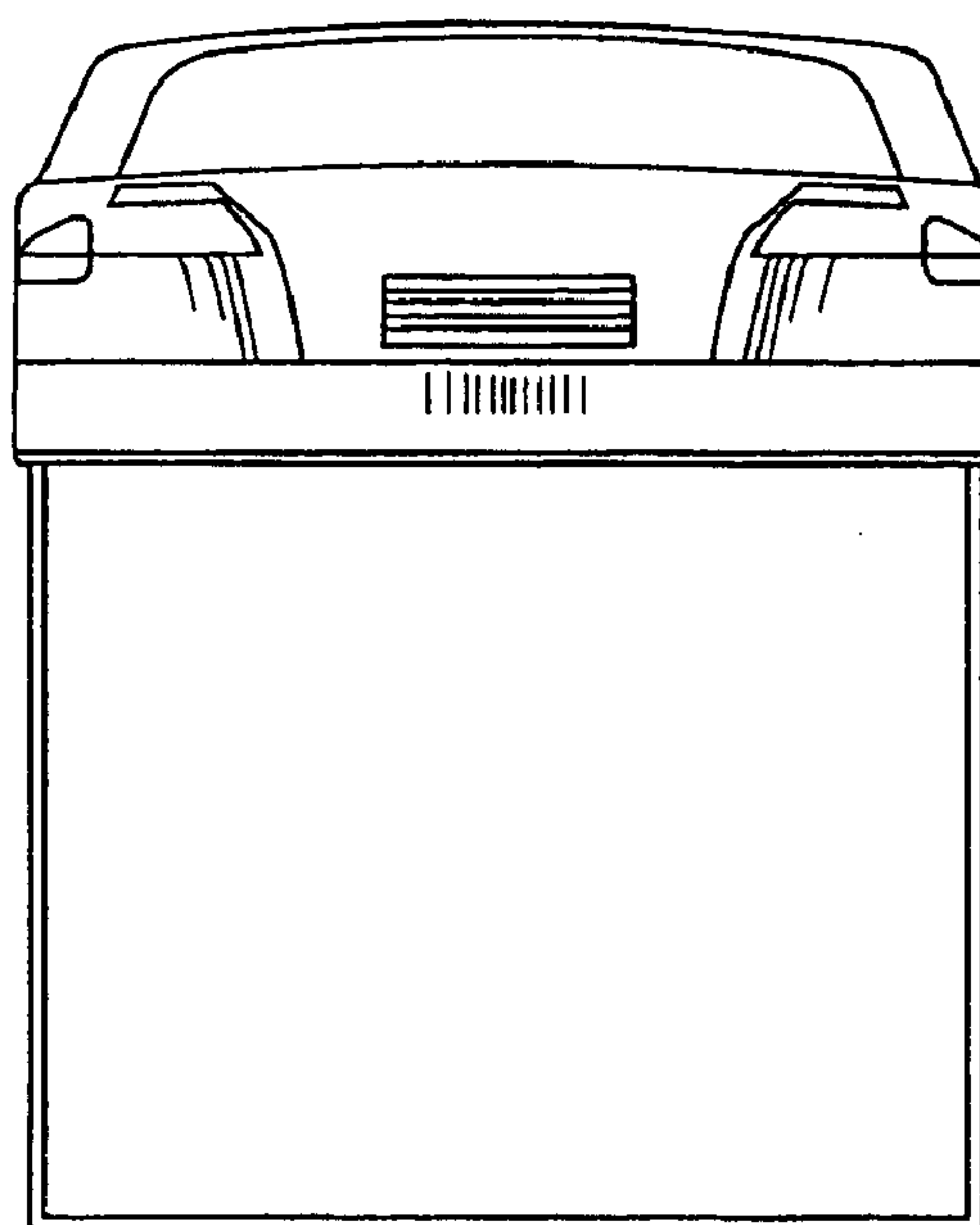
**Fig. 2**



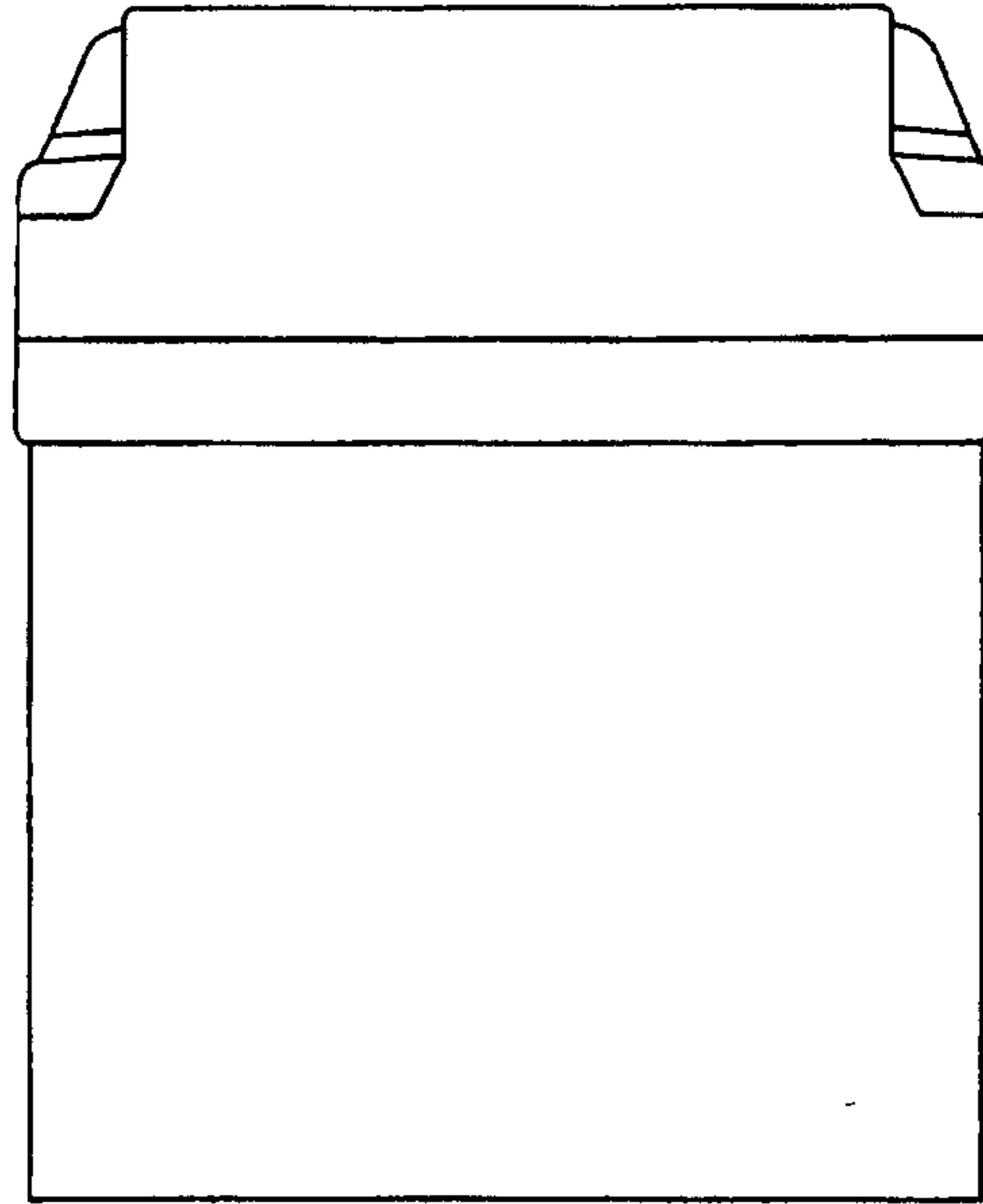
**Fig. 3**



**Fig. 4**



**Fig. 5**



**Fig. 6**

