



US00D534802S

(12) **United States Design Patent**
German

(10) **Patent No.:** **US D534,802 S**

(45) **Date of Patent:** **** Jan. 9, 2007**

(54) **COMPOSITE CLOSURE HAVING AN INSERT WITH A PERIPHERAL CURL**

(75) Inventor: **Galen German**, Lancaster, OH (US)

(73) Assignee: **Crown Cork & Seal Technologies**, Alsip, IL (US)

(**) Term: **14 Years**

(21) Appl. No.: **29/254,869**

(22) Filed: **Mar. 1, 2006**

Related U.S. Application Data

(63) Continuation of application No. 29/189,017, filed on Aug. 27, 2003, now Pat. No. Des. 518,717.

(51) **LOC (8) Cl.** **09-07**

(52) **U.S. Cl.** **D9/453**

(58) **Field of Classification Search** D24/197,
D24/199, 224; D9/569, 556, 537, 529, 454,
D9/453, 452; 220/253; 215/352, 341, 334,
215/329, 252, 250, 219, 217, 216, 214, 208,
215/201; 206/562

See application file for complete search history.

(56) **References Cited**

U.S. PATENT DOCUMENTS

4,059,198 A	11/1977	Mumford	215/222
4,378,894 A	4/1983	Willis et al.	215/252
4,609,115 A	9/1986	Moore et al.	215/252
4,679,696 A	7/1987	Bonnenfant et al.	215/252
4,809,858 A	3/1989	Ochs	215/276
4,880,127 A	11/1989	Doi	215/252
D305,735 S	1/1990	Zinnbauer	D9/438
D310,781 S	9/1990	Scott, III	D9/398
D315,507 S	3/1991	Ochs	D9/453
5,009,324 A	4/1991	Ochs	215/276
5,031,787 A	7/1991	Ochs	215/276
D318,804 S	8/1991	Ochs	D9/453
5,358,872 A *	10/1994	Mussi et al.	435/297.1
D359,682 S	6/1995	Miller	D9/434
D359,685 S	6/1995	Luch	D9/438
5,660,290 A	8/1997	Hayes	215/252

D383,851 S	9/1997	Wong	D24/224
5,685,443 A	11/1997	Taber et al.	215/252
D389,062 S	1/1998	Ekkert et al.	D9/453
D397,031 S	8/1998	Fricke	D9/444

(Continued)

FOREIGN PATENT DOCUMENTS

FR	DM/063888	6/2003
GB	2 049 034	7/1995
GB	3 010 148	1/2003

Primary Examiner—Robert M. Spear

Assistant Examiner—Susan Bennett Hattan

(74) *Attorney, Agent, or Firm*—Woodcock Washburn LLP

(57) **CLAIM**

We claim the ornamental design for a composite closure having an insert with a peripheral curl, as shown and described.

DESCRIPTION

FIG. 1 is a side view of a composite closure having an insert with a peripheral curl according to a preferred embodiment of the design;

FIG. 2 is a top view of the design that is depicted in FIG. 1; FIG. 3 is a bottom view of the design that is depicted in FIGS. 1 and 2;

FIG. 4 is an enlarged cross-sectional view of the design that is depicted in FIGS. 1–3, taken along the line 4/7 in FIG. 2, depicting the closure installed on the neck of a container;

FIG. 5 is a top perspective view of the design that is depicted in FIGS. 1–4;

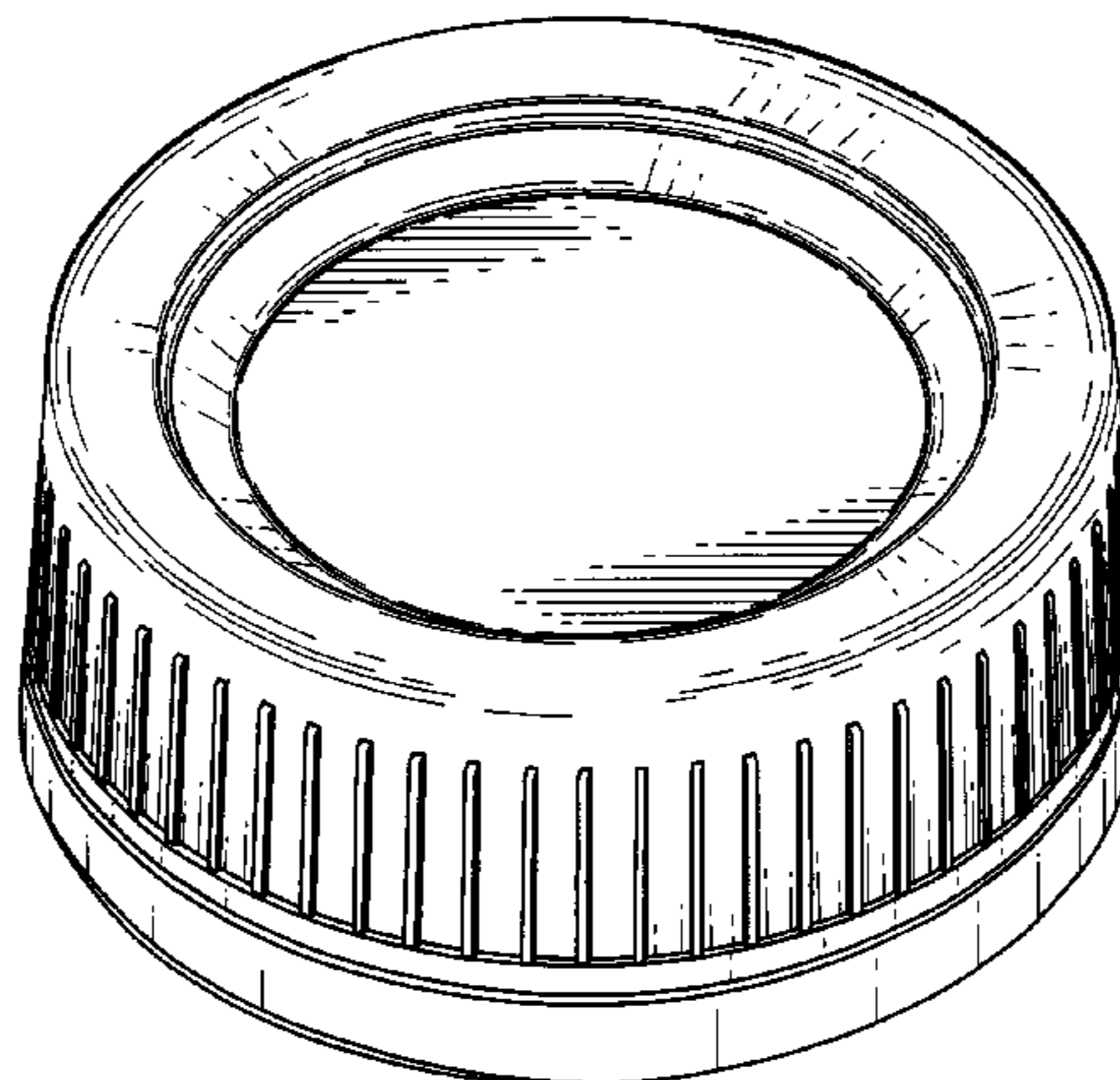
FIG. 6 is a bottom perspective view of the design that is depicted in FIGS. 1–5;

FIG. 7 is an enlarged cross-sectional view of the design that is depicted in FIGS. 1–6, taken along the line 4/7 in FIG. 2; and,

FIG. 8 is an enlarged combination cross-sectional and bottom perspective view of a portion of the closure, shown without the insert for clarity of illustration.

The broken lines shown in the figures are for illustrative purposes only, and form no part of the claimed design.

1 Claim, 8 Drawing Sheets



US D534,802 S

Page 2

U.S. PATENT DOCUMENTS

5,809,860 A	9/1998	Haaser	83/880	D460,357 S	7/2002	Kras et al.	D9/435
6,112,923 A *	9/2000	Ma	215/252	6,557,714 B1	5/2003	Babcock et al.	215/252
6,220,466 B1	4/2001	Hayes et al.	215/276	D482,794 S	11/2003	Whitley	D24/224
6,276,543 B1	8/2001	German et al.	215/252	D490,315 S	5/2004	Kiser	D9/445
6,279,779 B1	8/2001	Laciacara et al.	222/83				

* cited by examiner

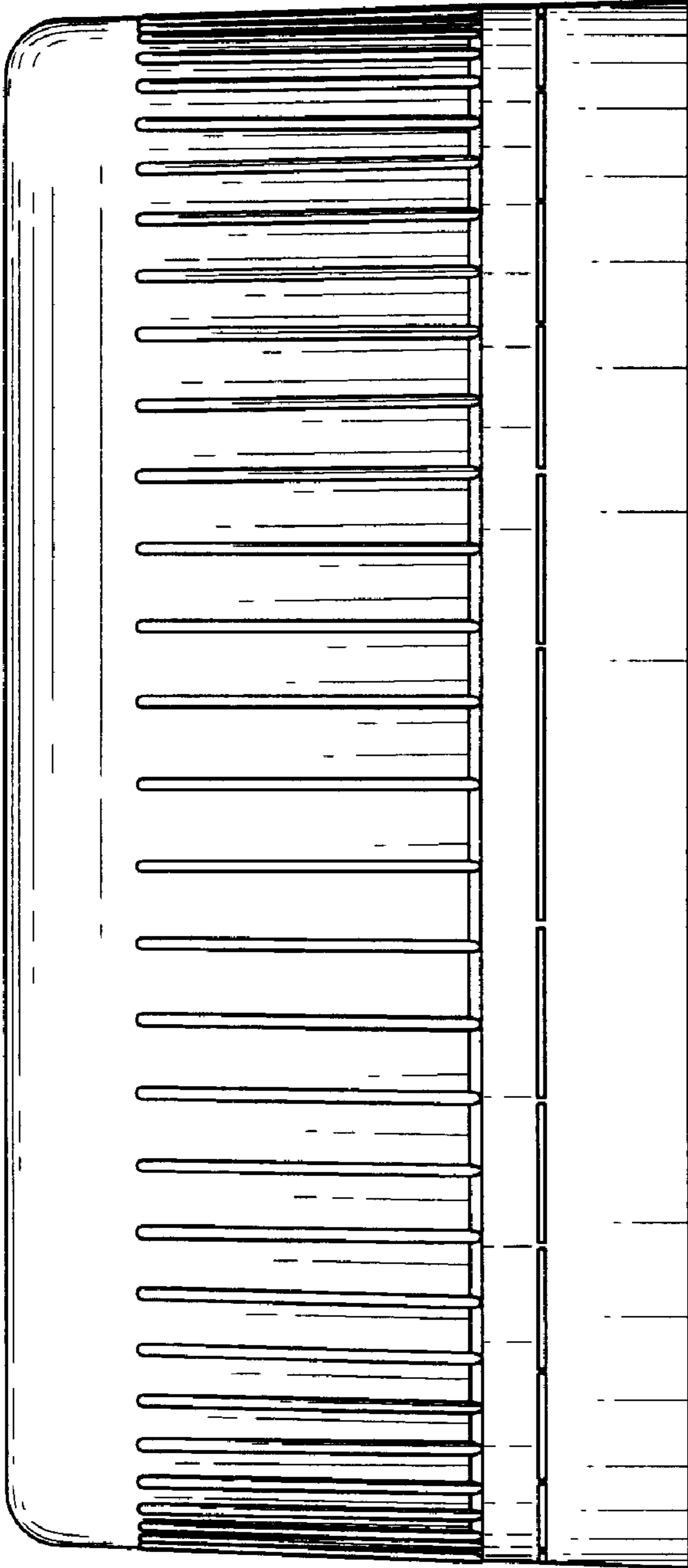


Figure 1

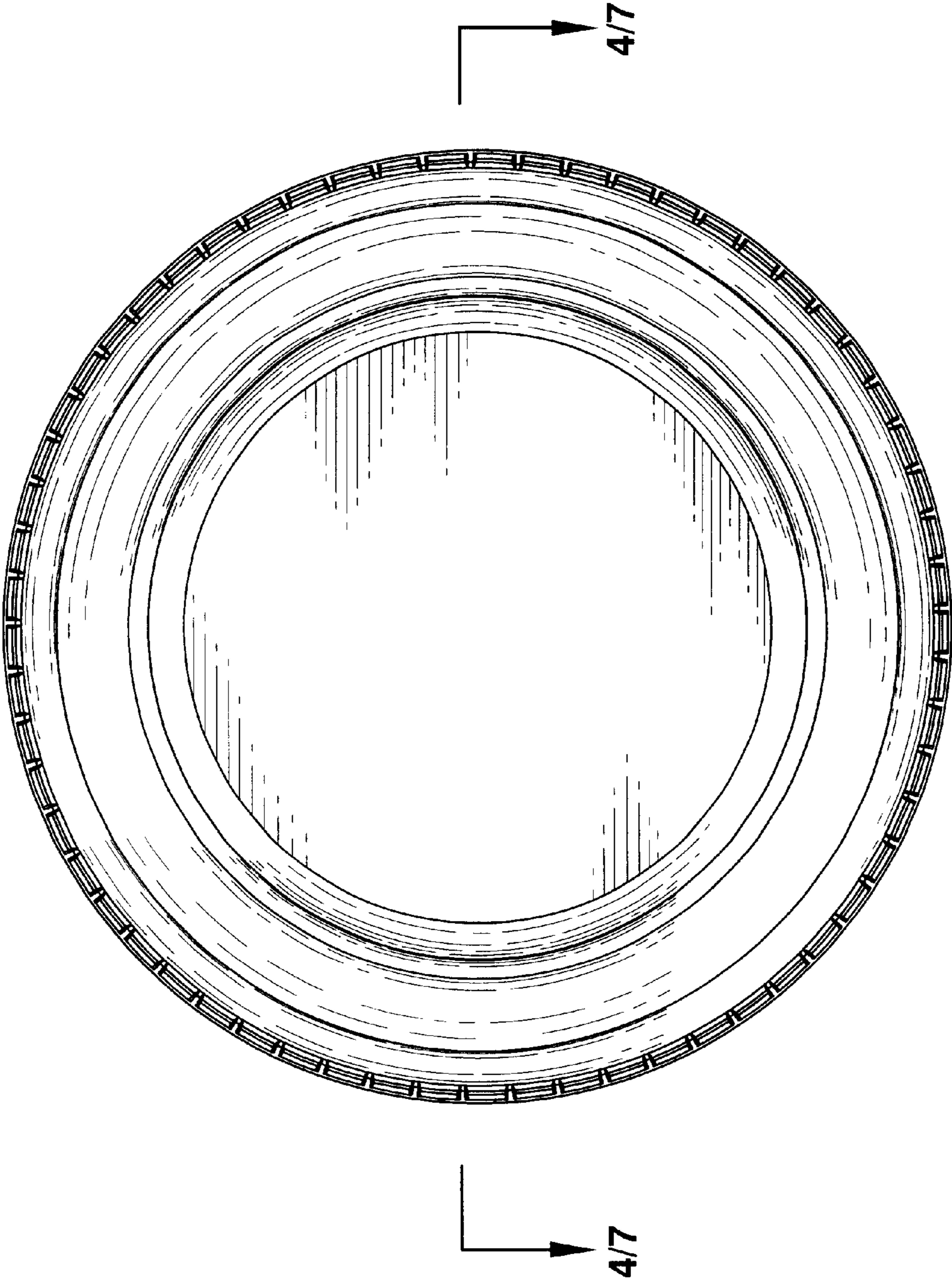


Figure 2

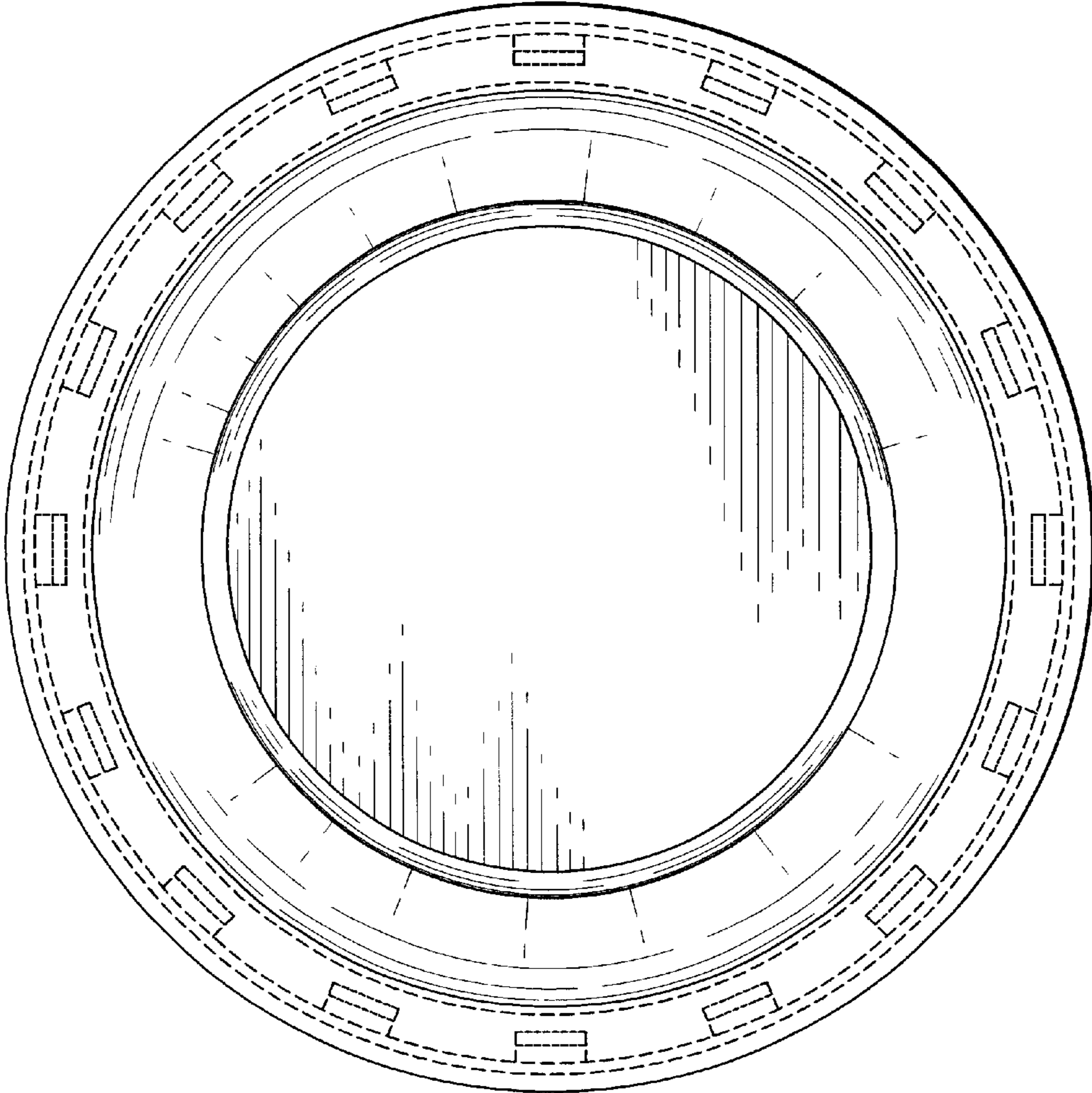


Figure 3

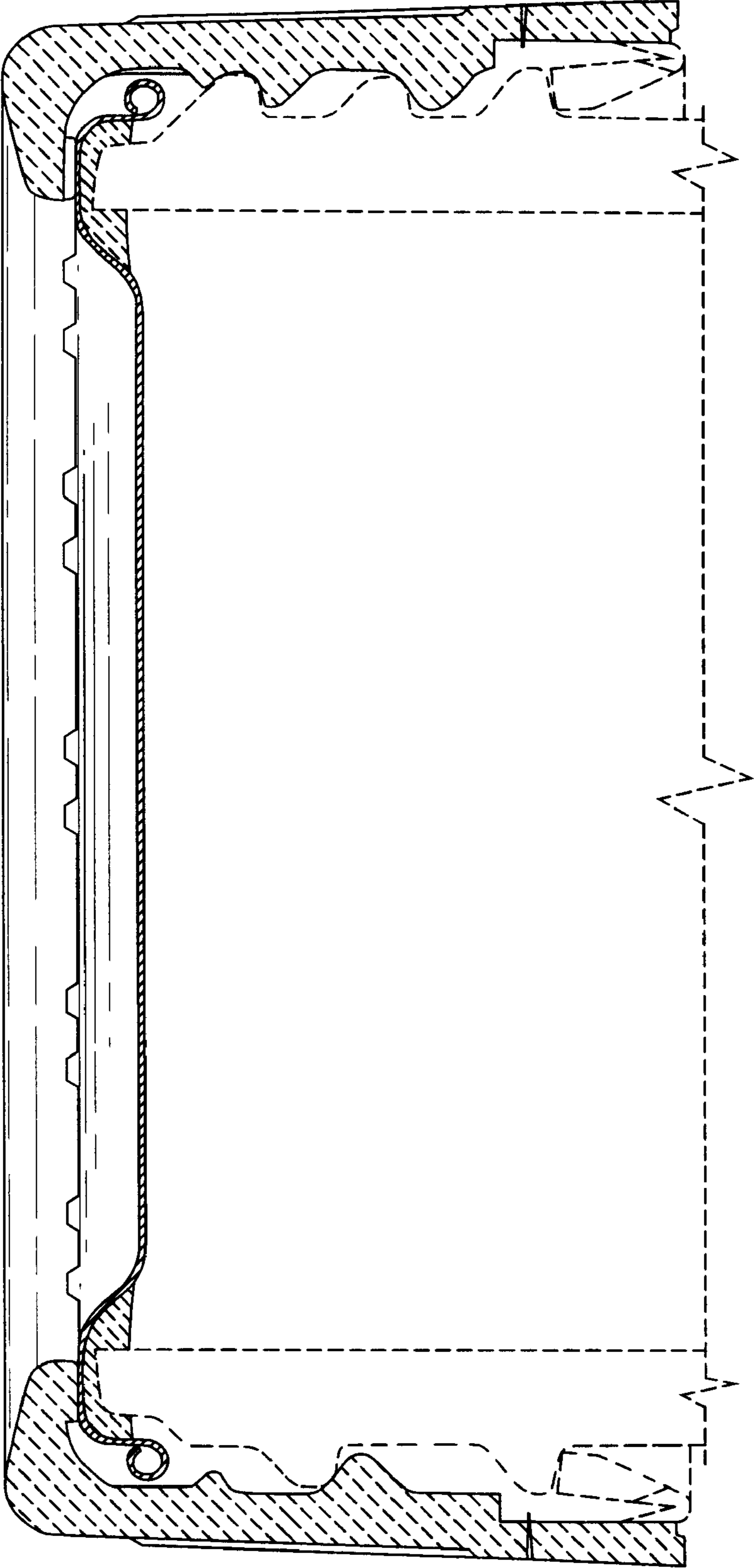


Figure 4

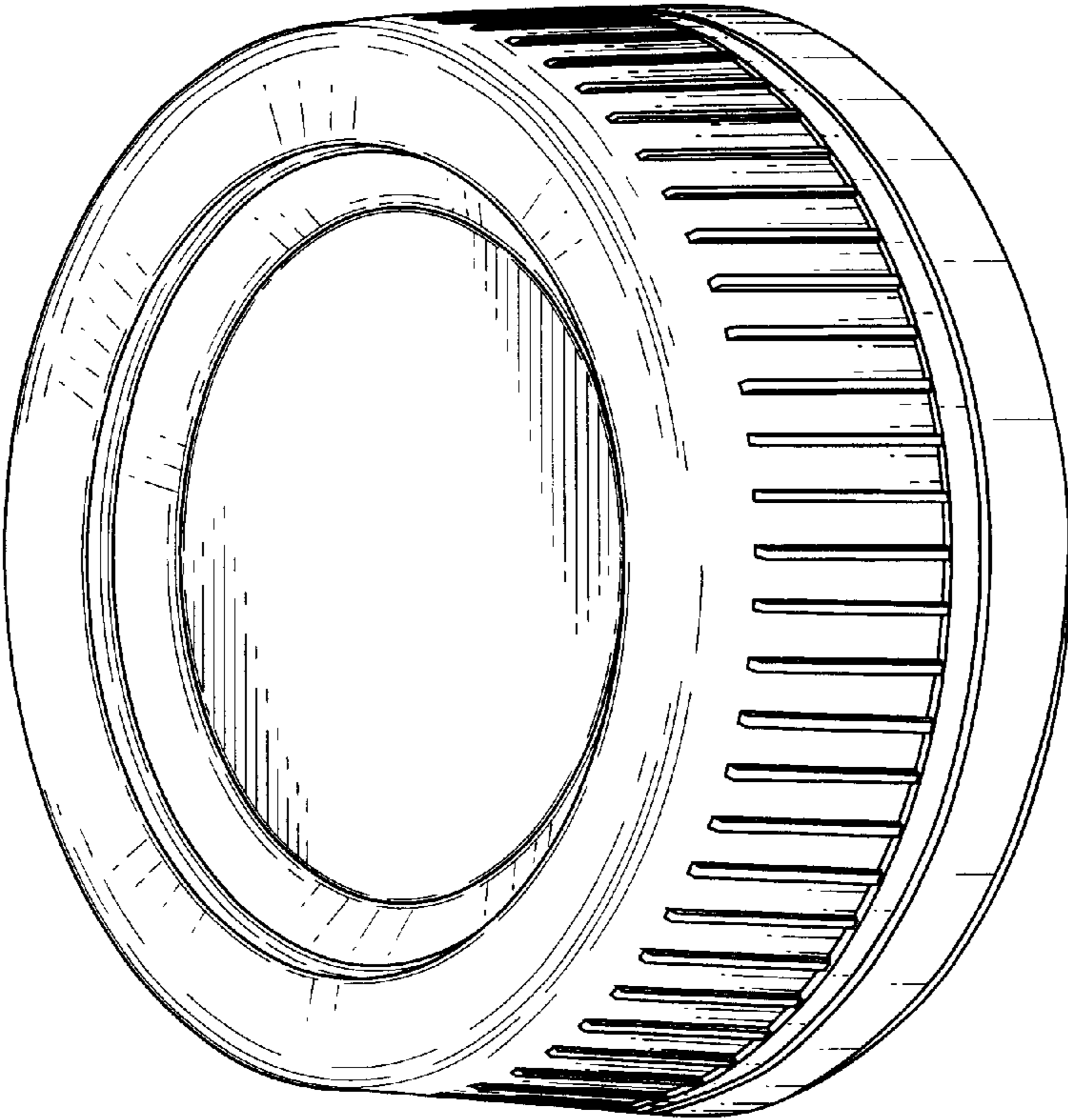


Figure 5

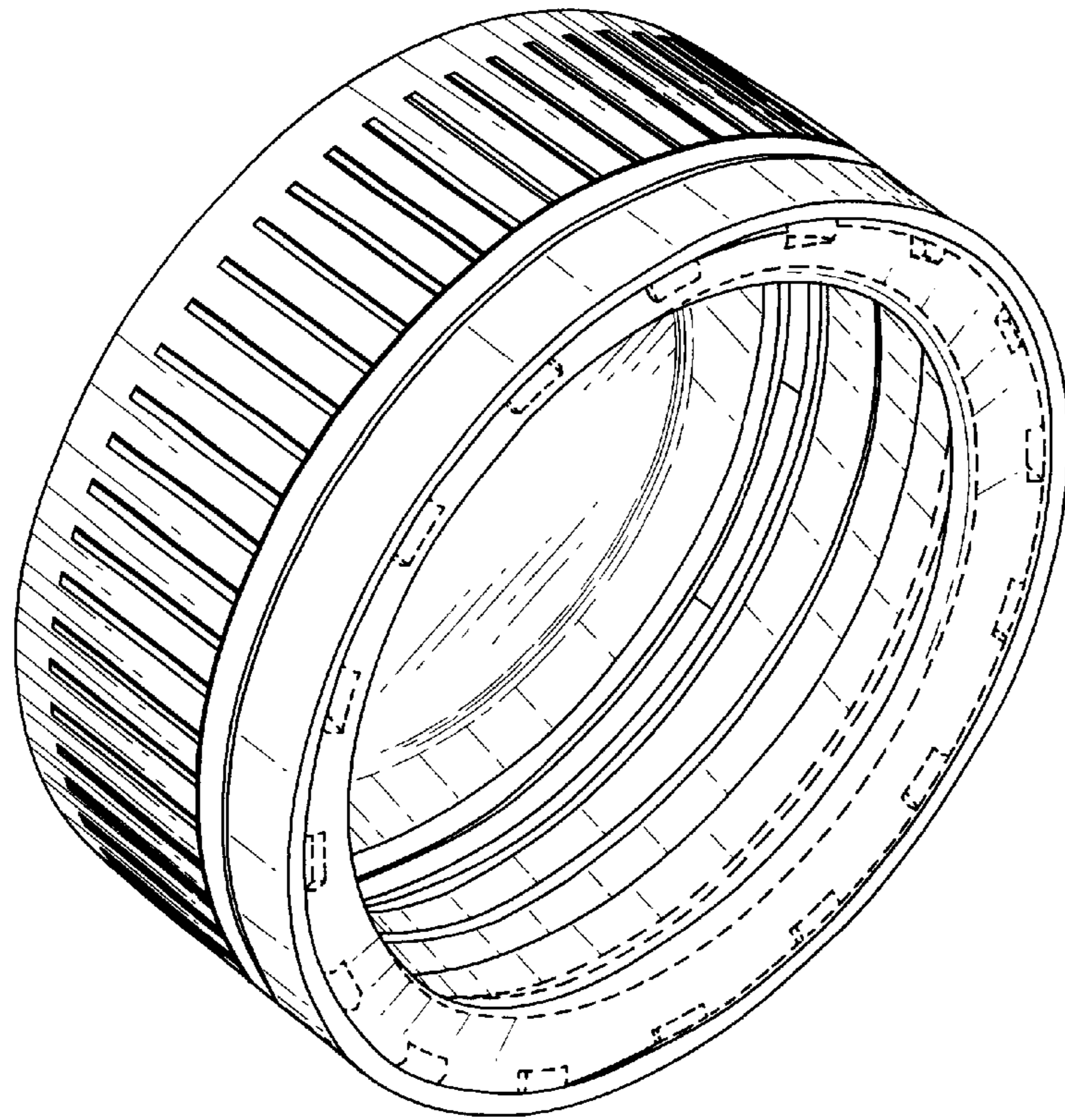


Figure 6

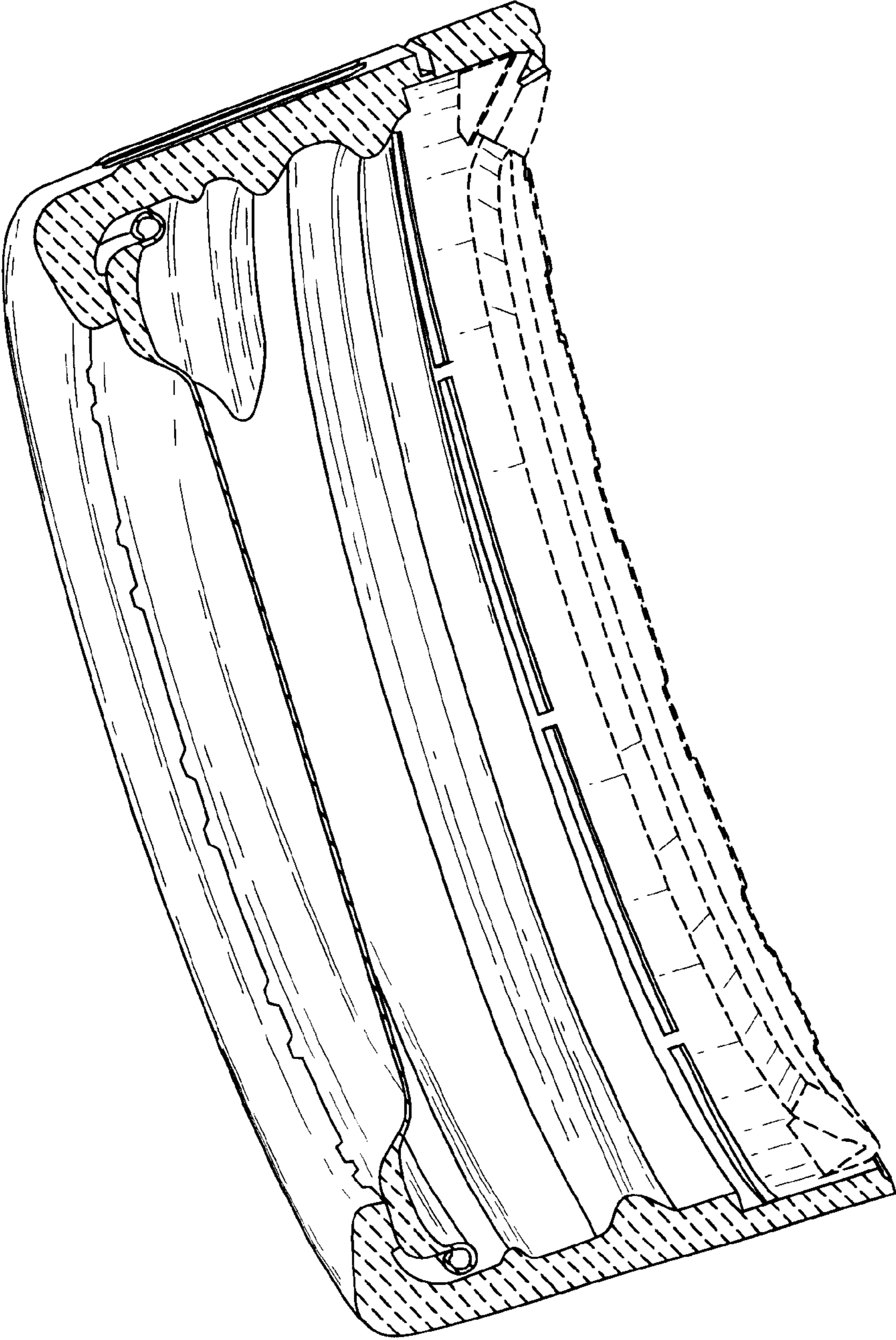


Figure 7

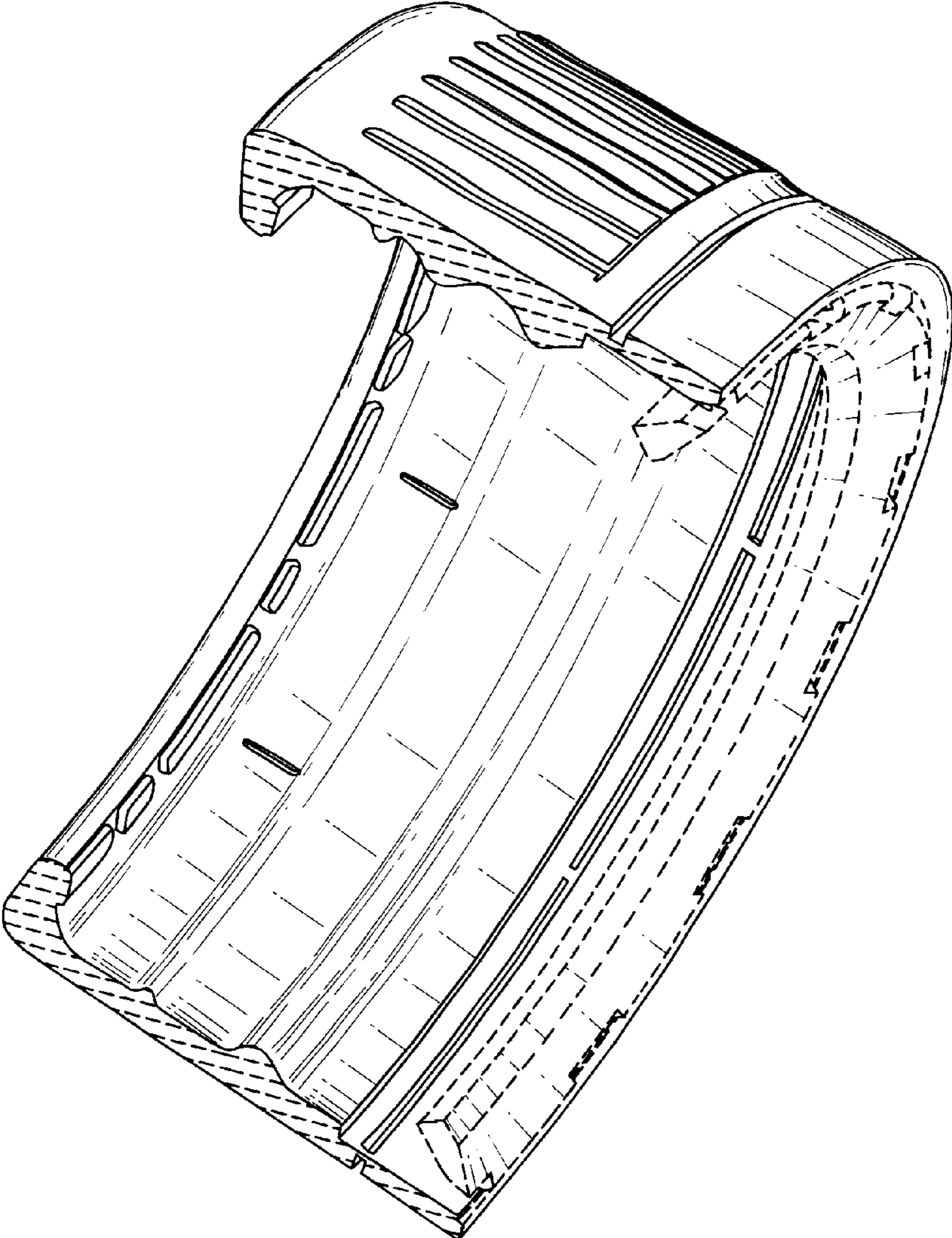


Figure 8