



US00D534801S

(12) **United States Design Patent**  
**McMurrey et al.**

(10) **Patent No.:** **US D534,801 S**

(45) **Date of Patent:** **\*\* Jan. 9, 2007**

(54) **BOTTLE CAP**

(76) Inventors: **Greg McMurrey**, 9075 Jacqueline Dr.,  
Des Plaines, IL (US) 60016; **Jim F.**  
**Warner**, 458 Mountain Ave., Westfield,  
NJ (US) 07090; **Machelle D.**  
**Stockwell**, 431 Florine Ct., Cary, IL  
(US) 60013

(\*\*) Term: **14 Years**

(21) Appl. No.: **29/237,153**

(22) Filed: **Aug. 26, 2005**

(51) **LOC (8) Cl.** ..... **09-07**

(52) **U.S. Cl.** ..... **D9/448; D9/453**

(58) **Field of Classification Search** ..... D9/499,  
D9/453, 452, 449, 447, 446, 443, 435, 450;  
D7/900, 511, 510, 509, 397, 317, 392.1, 314,  
D7/396.2, 312; 222/570, 568, 567; 221/63;  
220/710, 709, 708, 707, 706, 705

See application file for complete search history.

(56) **References Cited**

**U.S. PATENT DOCUMENTS**

- D226,555 S \* 3/1973 Weber ..... D9/446
- D280,802 S \* 10/1985 Cho ..... D9/446
- D302,120 S \* 7/1989 Niwa et al. .... D9/417

- 5,007,555 A \* 4/1991 Beck ..... 220/254.3
- D367,424 S \* 2/1996 Thanisch ..... D9/446
- D398,851 S \* 9/1998 Gaiser et al. .... D9/453
- D419,447 S \* 1/2000 Molloy ..... D9/449
- D480,305 S \* 10/2003 Nusbaum et al. .... D9/449
- D490,315 S \* 5/2004 Kiser ..... D9/449

\* cited by examiner

*Primary Examiner*—Gary D. Watson

*Assistant Examiner*—Susan Bennett Hattan

(74) *Attorney, Agent, or Firm*—Goodwin Procter LLP; Lars  
Johnson; Carolyn Sloane

(57) **CLAIM**

The ornamental design for a bottle cap, as shown.

**DESCRIPTION**

FIG. 1 is a perspective view of a bottle cap depicting the new design;

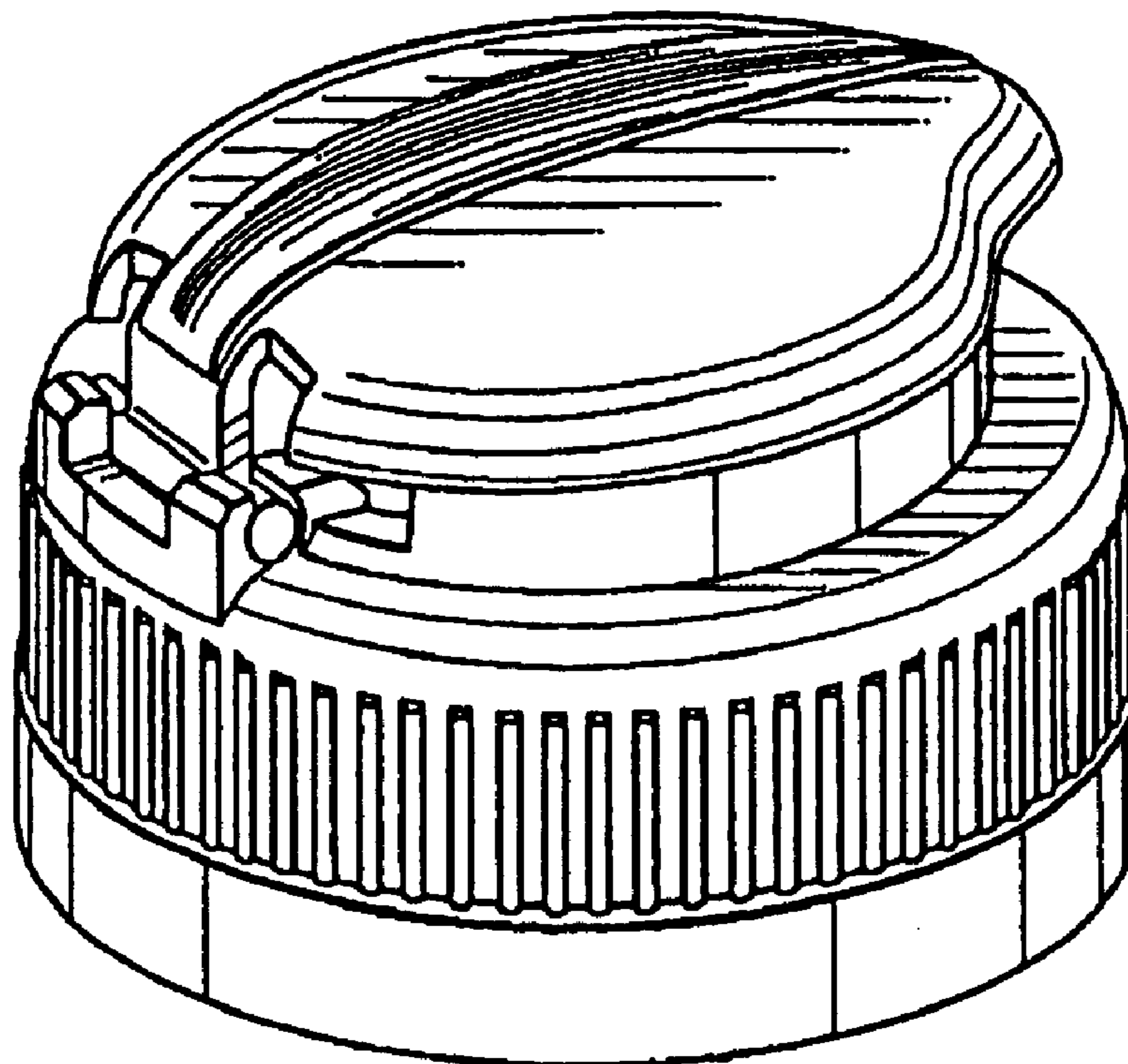
FIG. 2 is a side elevation view of the bottle cap depicted in FIG. 1;

FIG. 3 is a rear elevation view of the bottle cap depicted in FIG. 1;

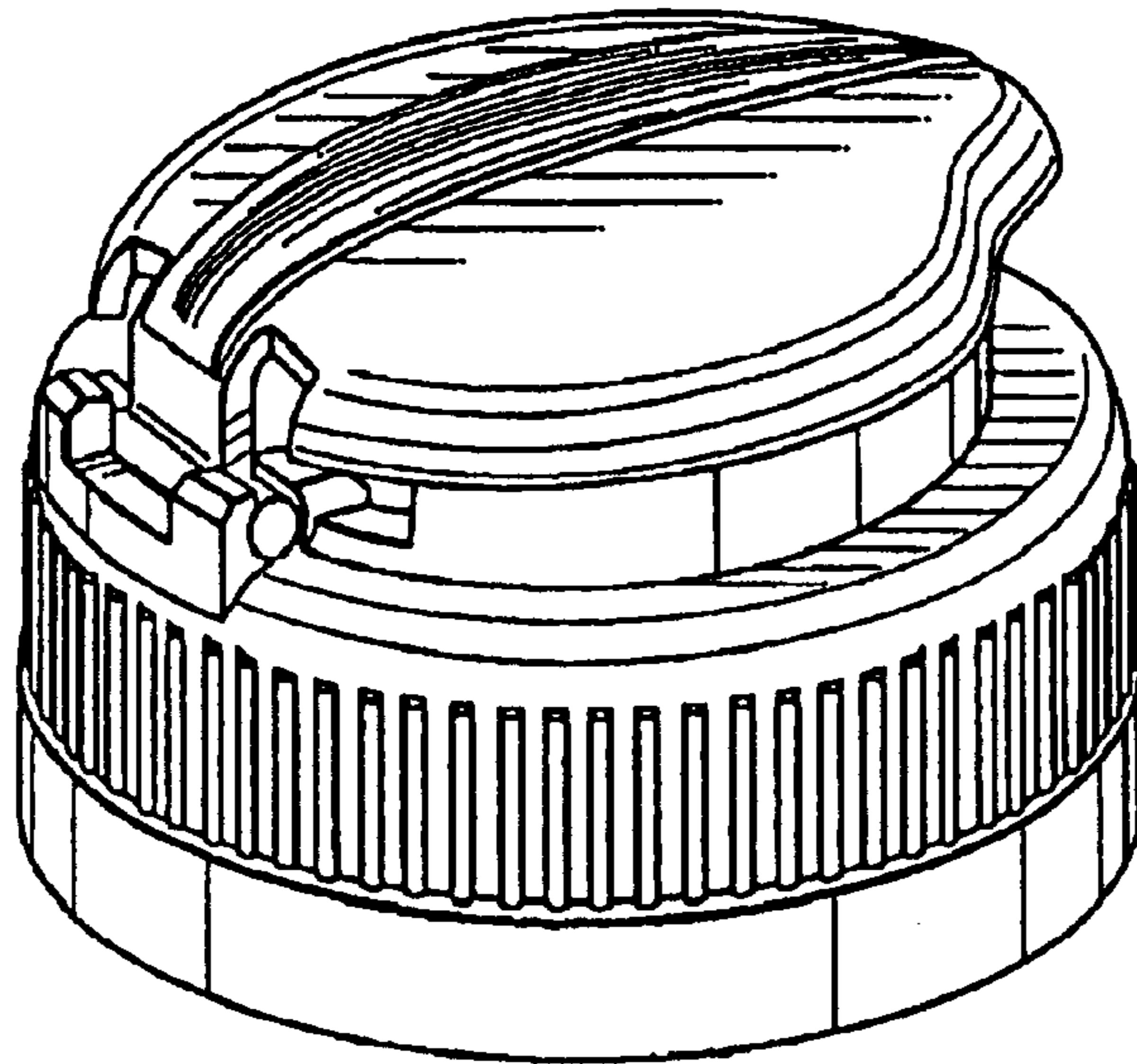
FIG. 4 is a front elevation view of the bottle cap depicted in FIG. 1; and,

FIG. 5 is a top plan view of the bottle cap depicted in FIG. 1.

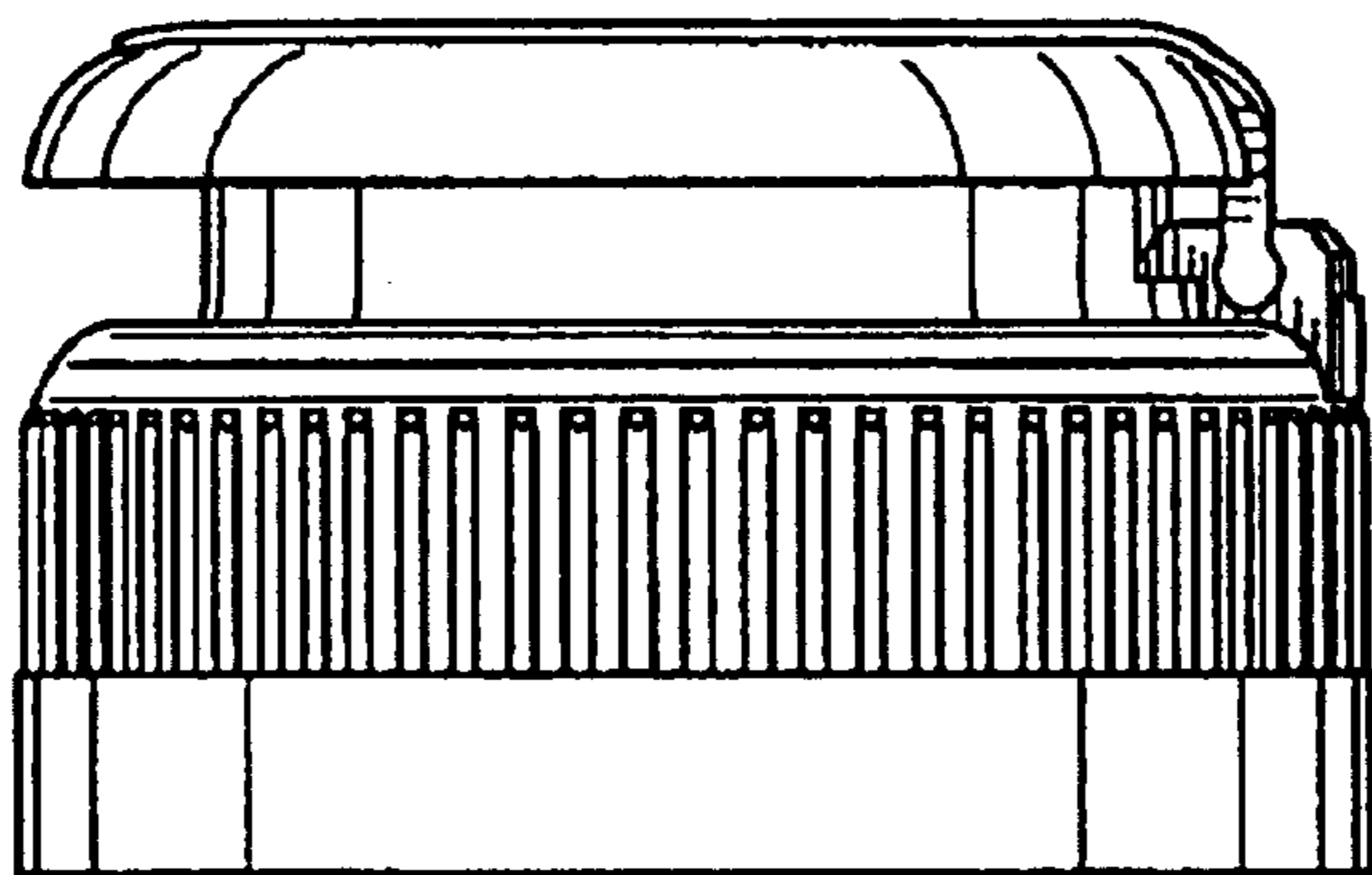
**1 Claim, 2 Drawing Sheets**



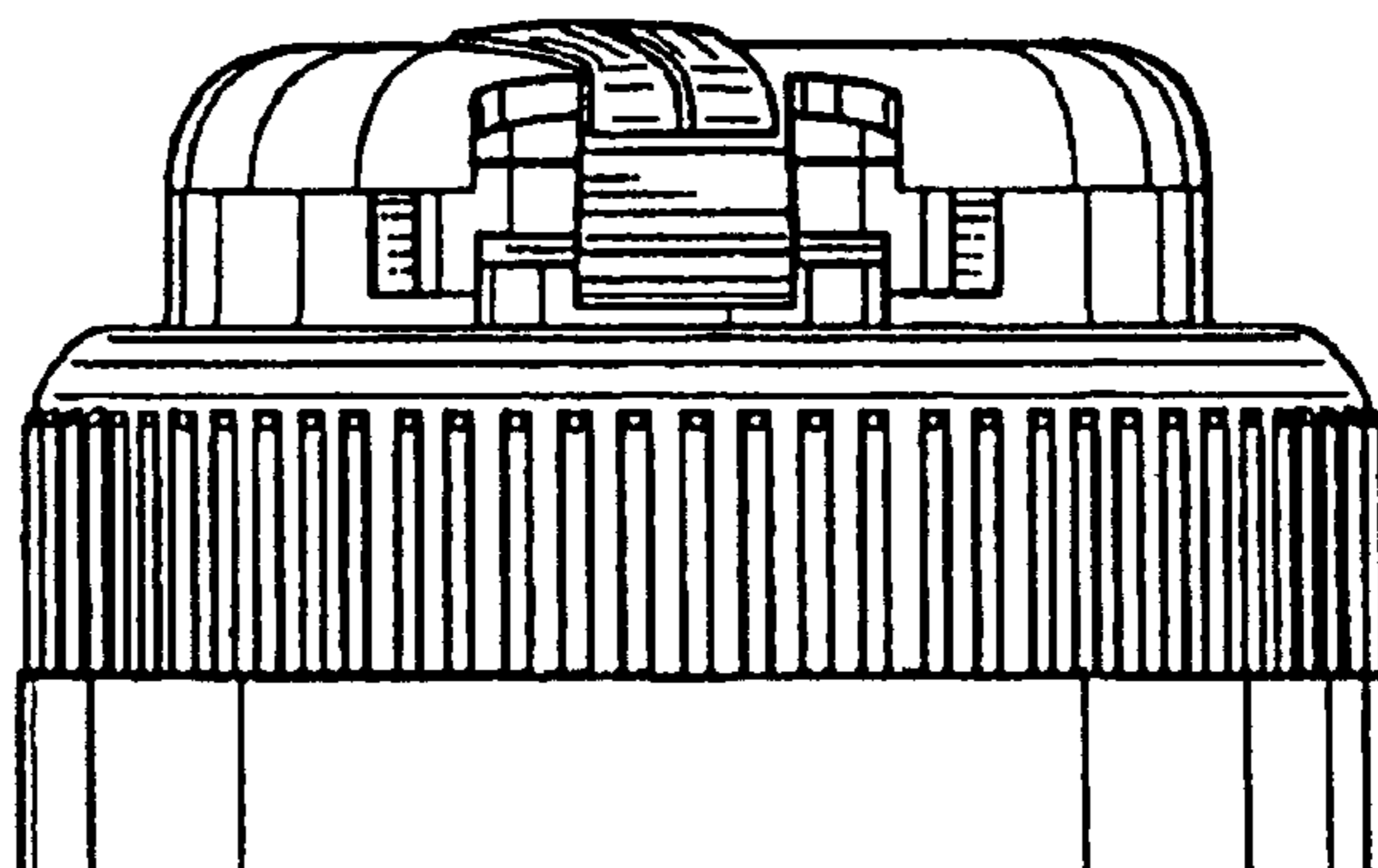
**Fig. 1**



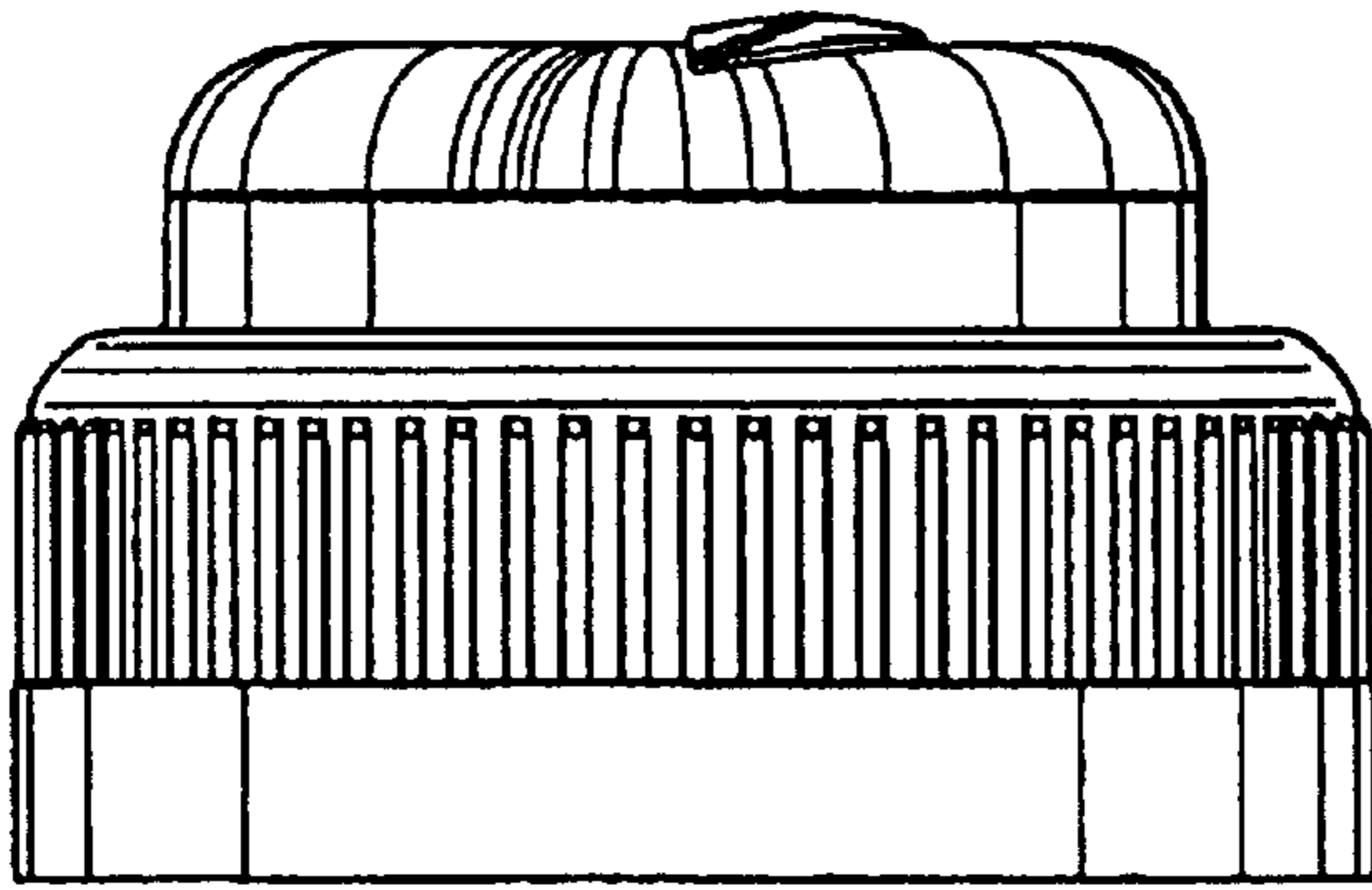
**Fig. 2**



**Fig. 3**



**Fig. 4**



**Fig. 5**

