



US00D534797S

(12) **United States Design Patent** (10) **Patent No.:** **US D534,797 S**
El-Afandi (45) **Date of Patent:** **** Jan. 9, 2007**

(54) **TEAR STRIP ACCESS ON PACKAGING**

2003/0094461 A1 * 5/2003 Knol 221/63
2004/0195256 A1 * 10/2004 Goepfert et al. 221/63

(75) Inventor: **Ali El-Afandi**, Maplewood, MN (US)

FOREIGN PATENT DOCUMENTS

(73) Assignee: **General Mills, Inc.**, Minneapolis, MN (US)

AU 3713893 2/1994
WO WO 95/25007 9/1995
WO WO 96/09225 3/1996

(**) Term: **14 Years**

OTHER PUBLICATIONS

(21) Appl. No.: **29/242,645**

Website print-out: Introducing Innovative New Packaging from Tyson Foods, Inc., Tyson Foods, Inc., 2 pgs.; Sep. 2005.

(22) Filed: **Nov. 14, 2005**

Related U.S. Application Data

(63) Continuation-in-part of application No. 11/233,502, filed on Sep. 22, 2005.

* cited by examiner

(51) **LOC (8) Cl.** **09-07**

Primary Examiner—Robert M. Spear

(52) **U.S. Cl.** **D9/434**

Assistant Examiner—Susan Bennett Hattan

(58) **Field of Classification Search** D9/751,
D9/456, 455, 438, 435, 434, 433, 419, 416;
D2/627; 221/63; 206/824, 429, 409, 195,
206/194

(74) *Attorney, Agent, or Firm*—Arlene L. Hornilla; J. Paul Haun

See application file for complete search history.

(57) **CLAIM**

I claim the ornamental design for tear strip access on packaging, as shown and described.

(56) **References Cited**

DESCRIPTION

U.S. PATENT DOCUMENTS

This application incorporates by reference U.S. Patent Application No. 11/233,502 for all that it discloses. All material from the U.S. Patent Application that is essential to the claimed design is included in this application. Any material in the U.S. Patent Application that is not present in this application forms no part of the claimed design.

- 4,314,638 A 2/1982 Gordon et al.
- 4,319,878 A 3/1982 Dozier et al.
- 4,337,887 A 7/1982 Gerard et al.
- 4,447,002 A 5/1984 Kistner
- 4,534,753 A 8/1985 Kistner
- 4,771,939 A 9/1988 Wilkins
- 4,946,093 A 8/1990 Moorman
- D322,759 S * 12/1991 Groves D9/433
- D328,375 S * 7/1992 Levine D34/7
- D436,859 S * 1/2001 Botsford et al. D9/416
- 6,557,749 B1 5/2003 Gill
- D494,859 S * 8/2004 Keberlein D9/416
- D503,614 S * 4/2005 Sax et al. D9/416
- D503,884 S * 4/2005 Camilleri-Oller et al. D9/432

FIG. 1 is a perspective view of a packaging having tear-strip and access according to the invention; and, FIG. 2 is an end view thereof.

The lines depicted as “- - -” represent a perforated line forming part of the claimed design and defining the outer boundary of the claim while lines depicted as “.. — .. —” represent environmental structure forming no part of the claimed design.

1 Claim, 2 Drawing Sheets

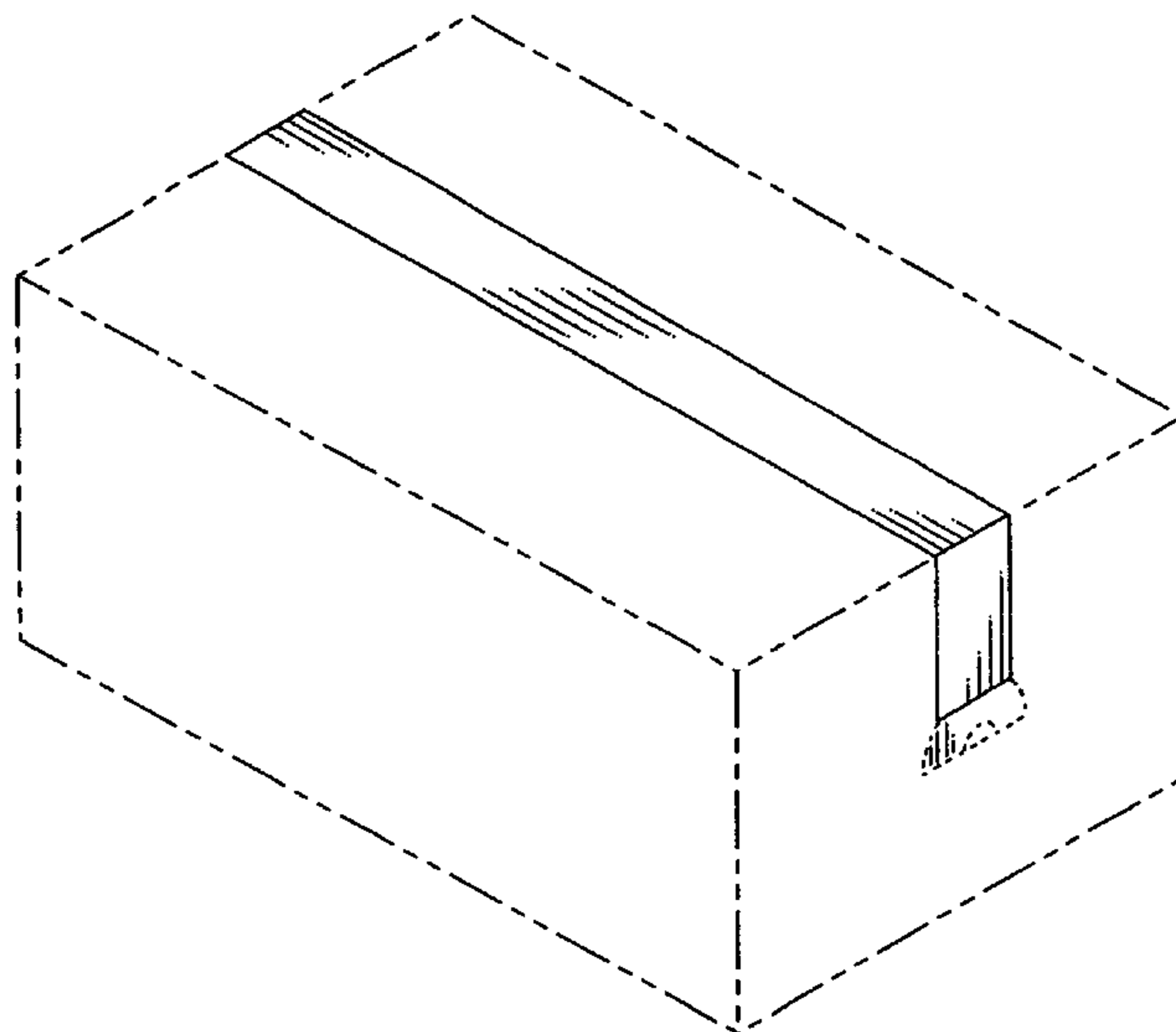


Fig. 1

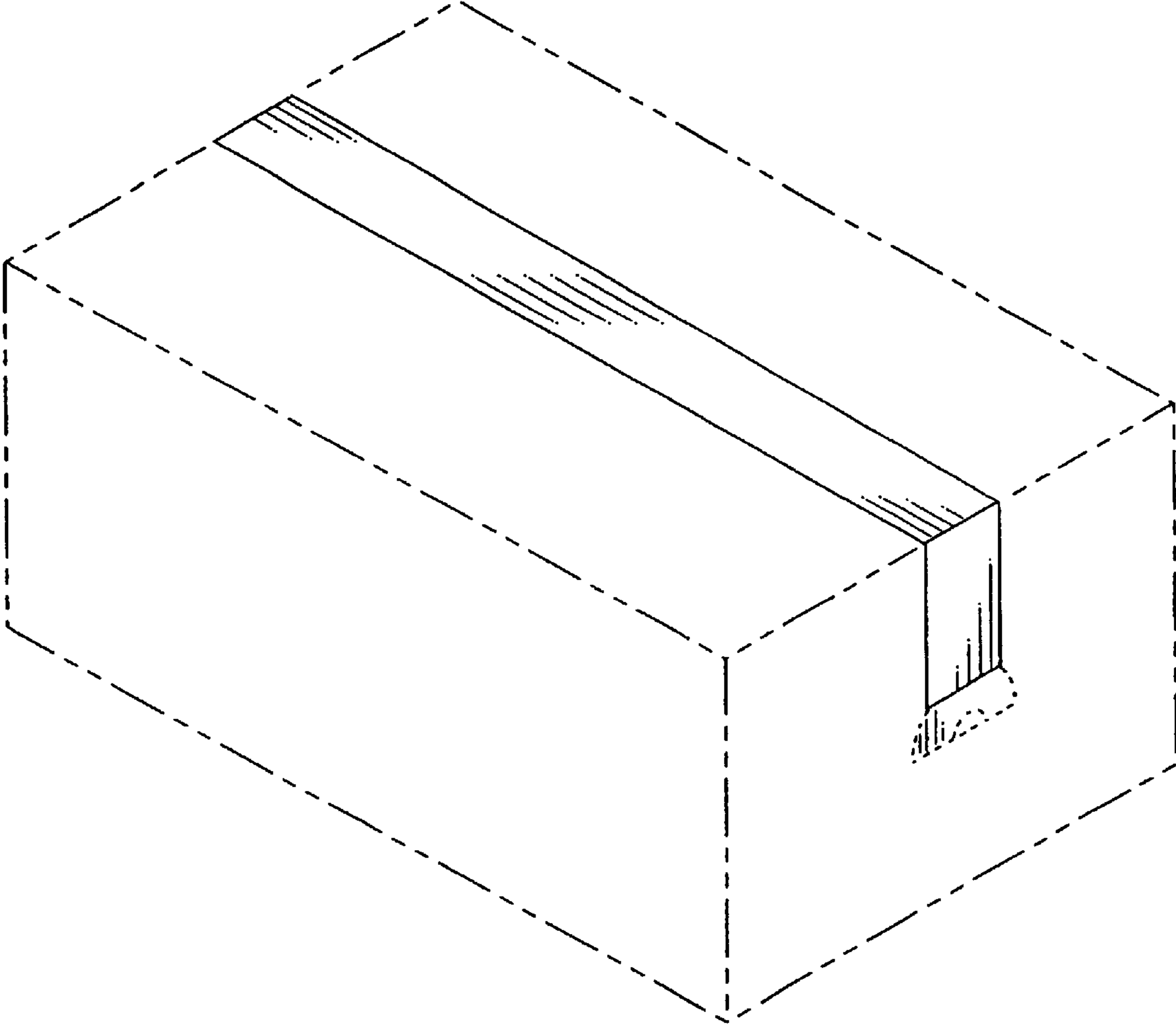


Fig. 2

