



US00D534791S

(12) **United States Design Patent**  
**Fujiwara et al.**

(10) **Patent No.:** **US D534,791 S**  
(45) **Date of Patent:** **\*\* Jan. 9, 2007**

(54) **JOINT CONDITION-CHECKING FASTENER FOR CONNECTORS**

(75) Inventors: **Taijiro Fujiwara**, Okayama-ken (JP);  
**Takeshi Misen**, Okayama-ken (JP)

(73) Assignee: **Omron Corporation**, Tokyo (JP)

(\*\*) Term: **14 Years**

(21) Appl. No.: **29/209,028**

(22) Filed: **Jul. 12, 2004**

(30) **Foreign Application Priority Data**

Jan. 15, 2004 (JP) ..... D2004-000792  
Jan. 15, 2004 (JP) ..... D2004-000791

(51) **LOC (8) Cl.** ..... **08-08**

(52) **U.S. Cl.** ..... **D8/382**

(58) **Field of Classification Search** ..... D8/349,  
D8/354, 363, 382, 394, 396; D13/154-156;  
439/369, 367; D25/55, 60

See application file for complete search history.

(56) **References Cited**

**U.S. PATENT DOCUMENTS**

2,720,633 A \* 10/1955 Westberg ..... 439/369  
D242,986 S \* 1/1977 Inglis ..... D8/363  
4,183,603 A \* 1/1980 Donarummo ..... 439/369  
D310,775 S \* 9/1990 Ruonala ..... D8/377

5,685,732 A \* 11/1997 Lane ..... 439/369  
D466,088 S \* 11/2002 Saben ..... D13/154  
D479,509 S \* 9/2003 Cocchiola, Jr. .... D13/154  
D491,055 S \* 6/2004 Chou ..... D8/382  
D491,535 S \* 6/2004 Chien ..... D13/154

\* cited by examiner

*Primary Examiner*—Holly H. Baynham

*Assistant Examiner*—Cynthia M. Chin

(74) *Attorney, Agent, or Firm*—Dickstein Shapiro LLP

(57) **CLAIM**

The ornamental design for a joint condition-checking fastener for connectors, as shown and described.

**DESCRIPTION**

FIG. 1 is a perspective view showing our new design for a joint condition-checking fastener for connectors;

FIG. 2 is a front elevational view of the joint condition-checking fastener for connectors of FIG. 1;

FIG. 3 is a rear elevational view of the joint condition-checking fastener for connectors of FIG. 1;

FIG. 4 is a top view of the joint condition-checking fastener for connectors of FIG. 1;

FIG. 5 is a right side elevational view of the joint condition-checking fastener for connectors of FIG. 1; and,

FIG. 6 is a cross-sectional view taken along line 6—6 of the joint condition-checking fastener for connectors of FIG. 2.

**1 Claim, 6 Drawing Sheets**

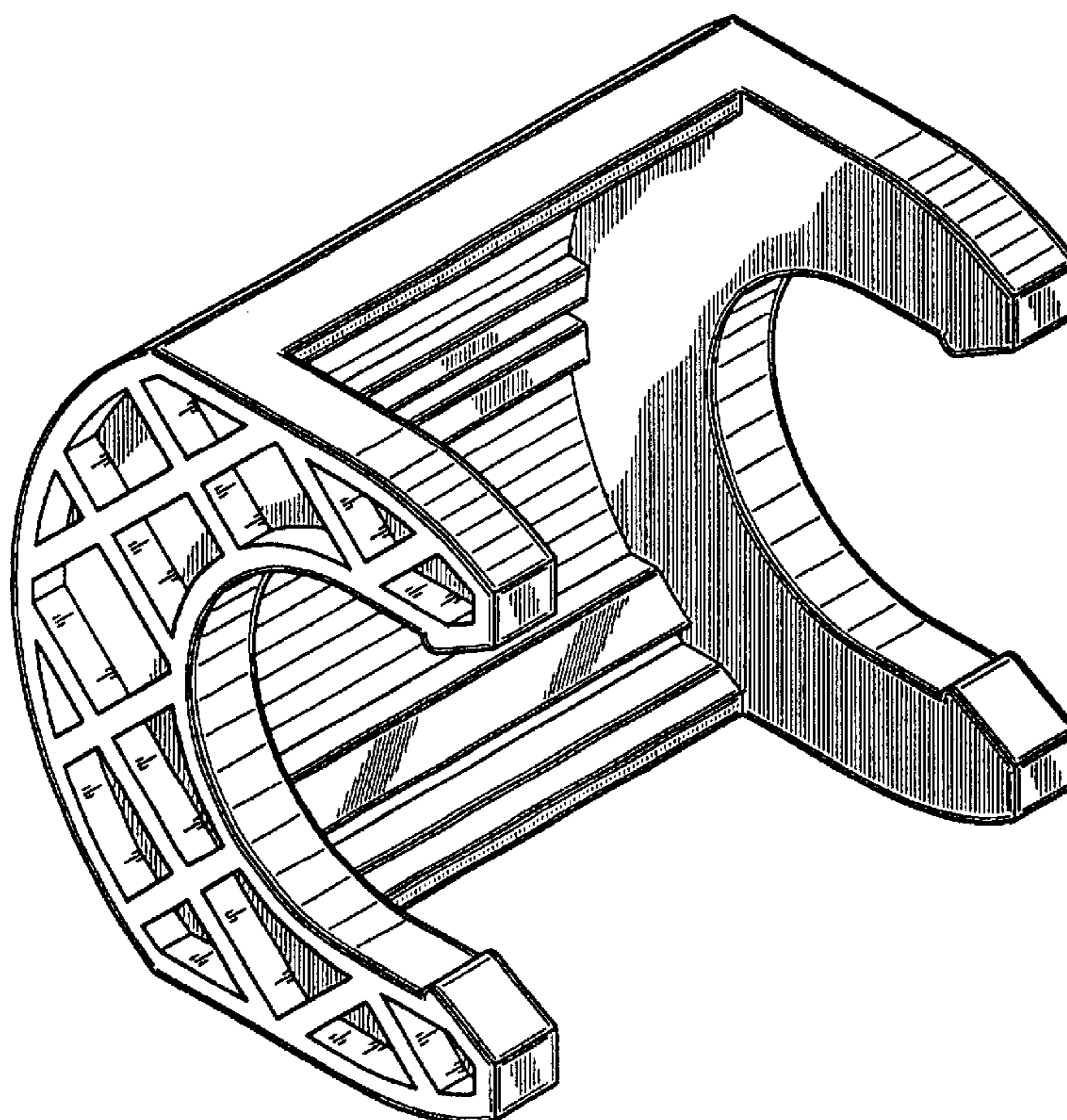


Fig. 1

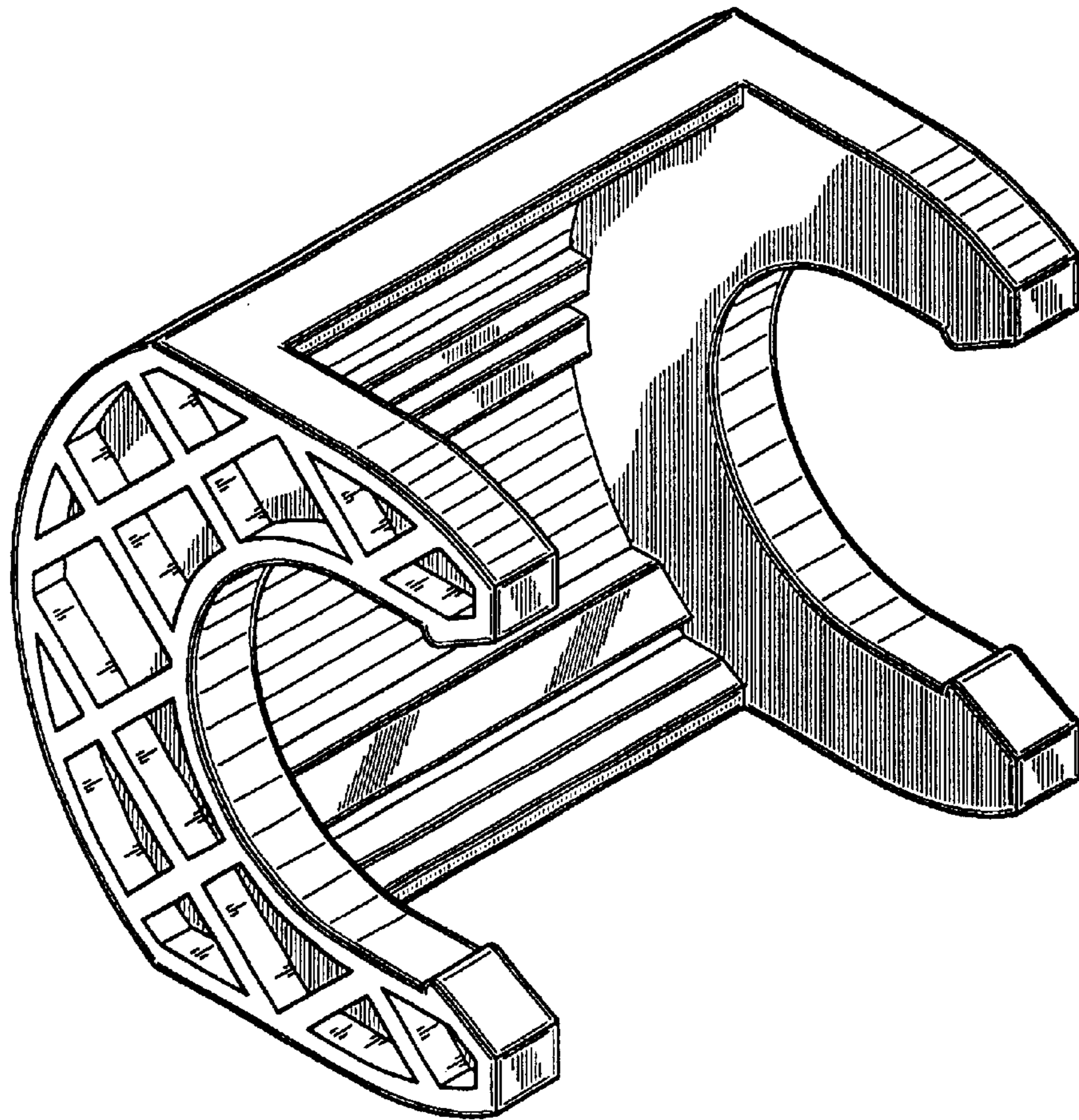


Fig. 2

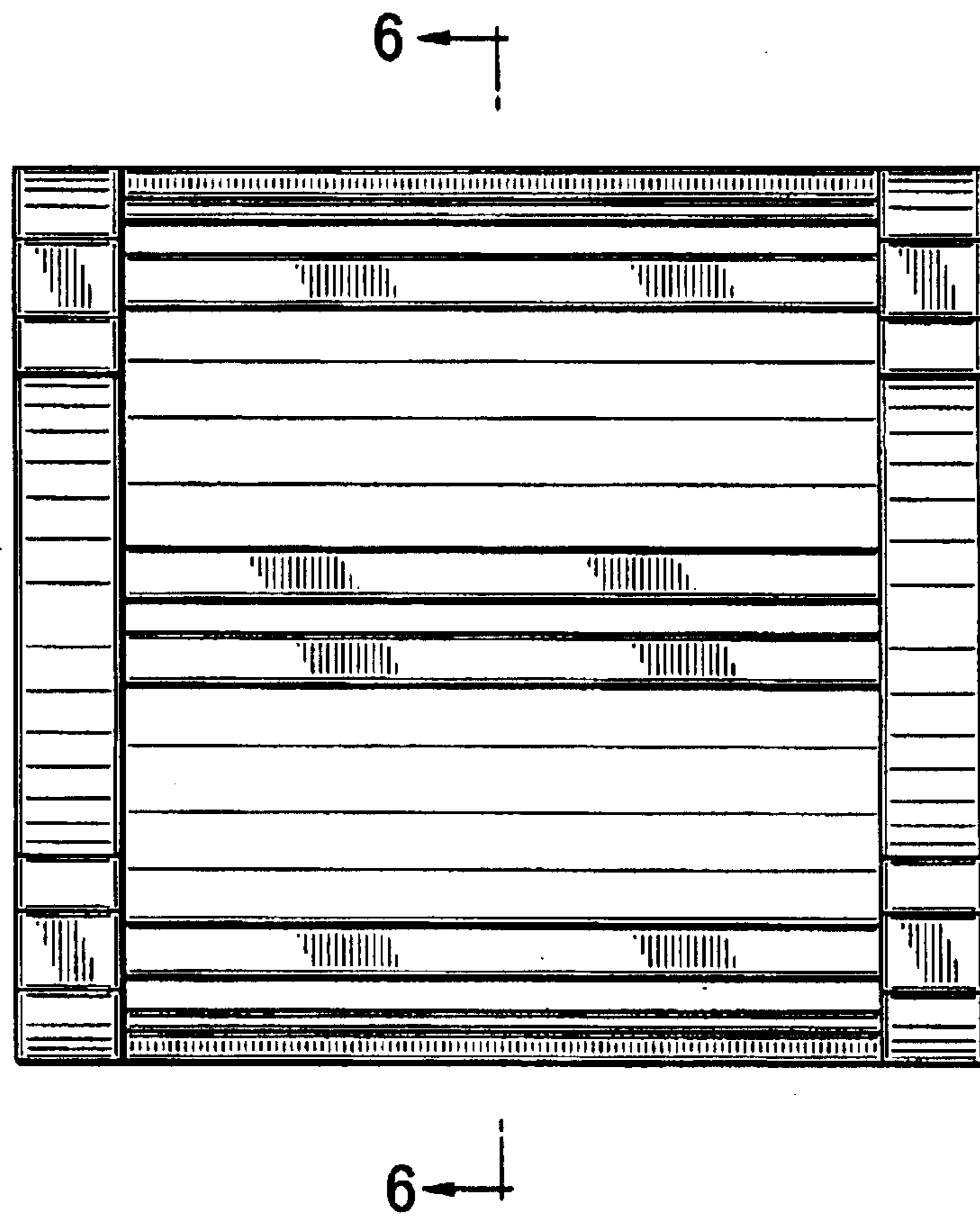


Fig. 3

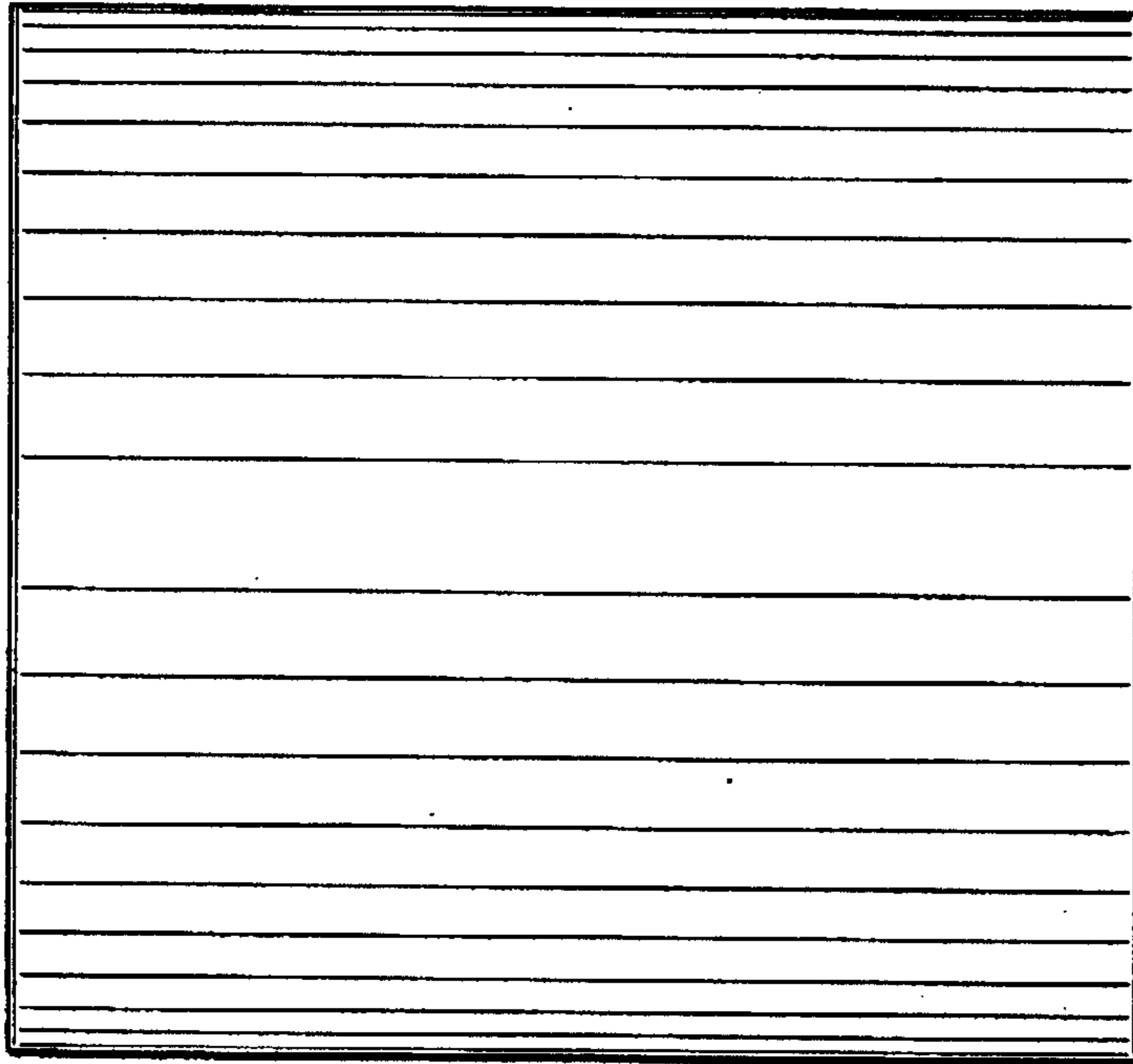


Fig. 4

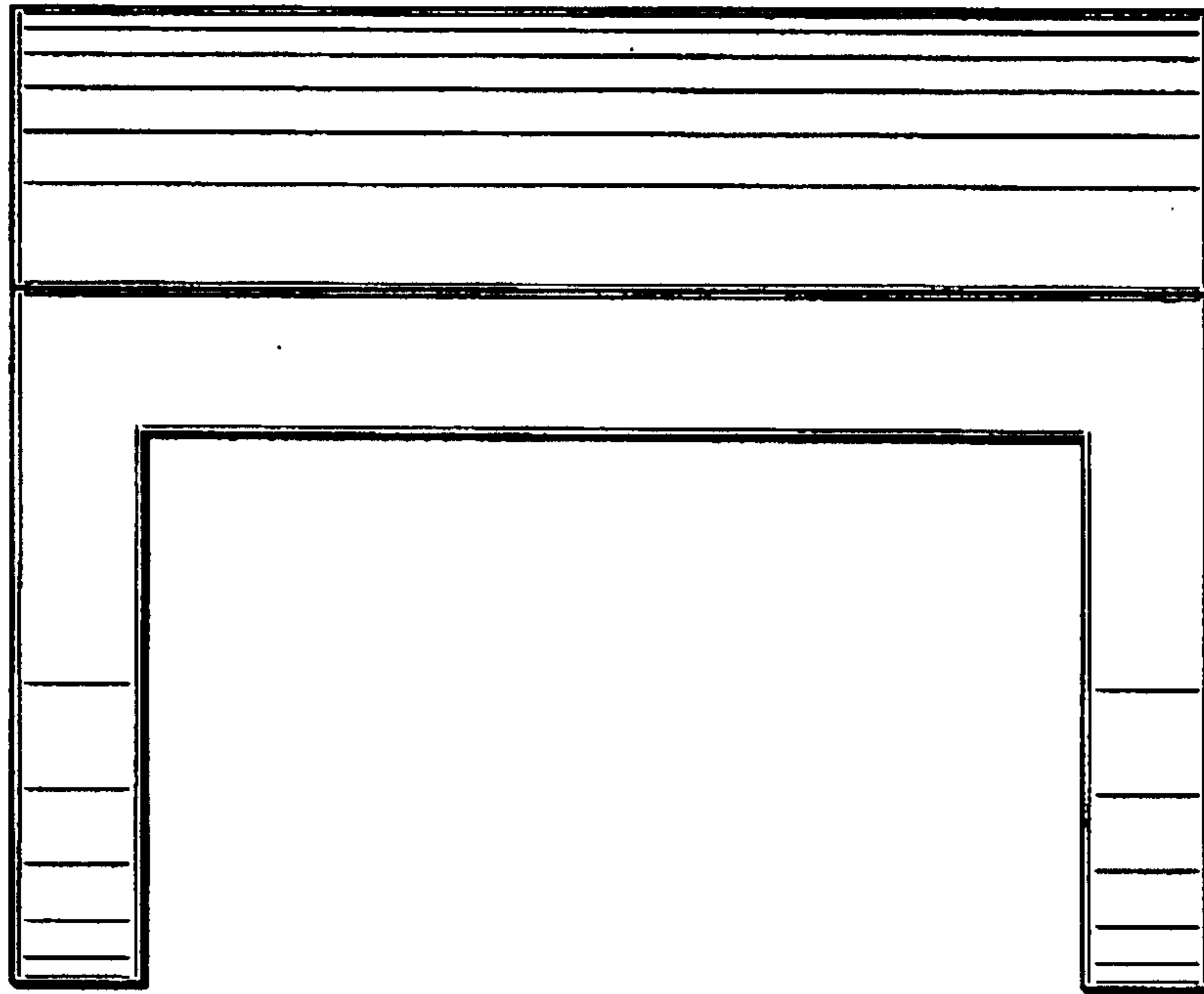


Fig. 5

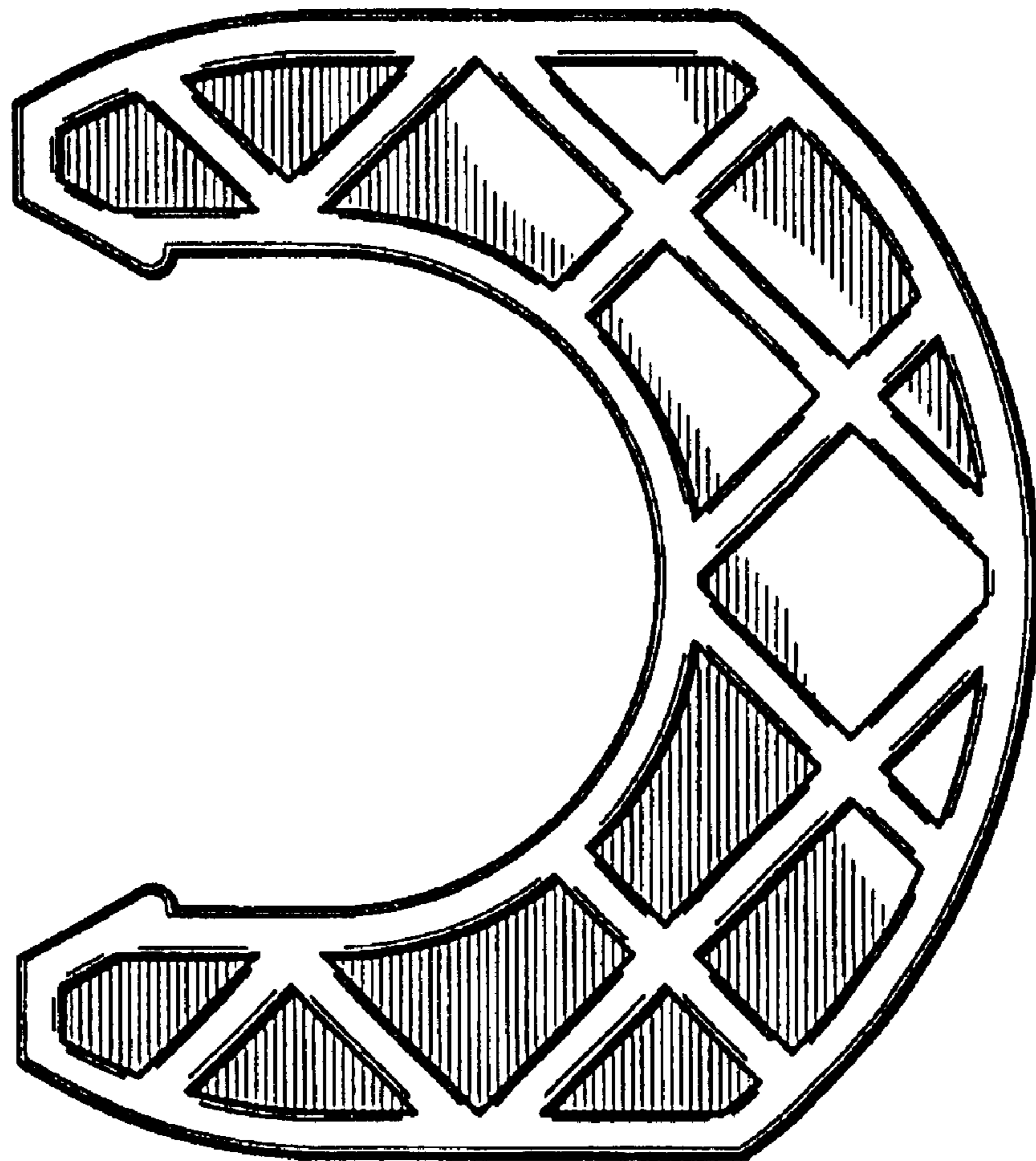


Fig. 6

