



US00D534789S

(12) **United States Design Patent**
Worrall et al.

(10) **Patent No.:** **US D534,789 S**

(45) **Date of Patent:** **** Jan. 9, 2007**

(54) **MOUNTING BRACKET, PARTICULARLY
SUITABLE FOR AN ELECTRONIC DISPLAY
OR A SPEAKER**

D349,640 S	*	8/1994	Whitaker	D8/363
D352,652 S	*	11/1994	Vogels	D8/363
D406,228 S	*	3/1999	Vogels	D8/363
D411,098 S	*	6/1999	Vogels	D8/363
D488,708 S	*	4/2004	Lam et al.	D8/363

(75) Inventors: **Raymond Worrall**, West Midlands (GB); **Mark Short**, West Midlands (GB); **Kenneth Gary Nicholls**, West Midlands (GB)

* cited by examiner

(73) Assignee: **AVF Group Limited**, Shropshire (GB)

Primary Examiner—Holly H. Baynham

(74) *Attorney, Agent, or Firm*—Wells St. John P.S.

(**) Term: **14 Years**

(57) **CLAIM**

(21) Appl. No.: **29/244,318**

The ornamental design for a ‘mounting bracket, particularly suitable for an electronic display for a speaker,’ as shown herein.

(22) Filed: **Dec. 7, 2005**

(30) **Foreign Application Priority Data**

DESCRIPTION

Aug. 17, 2005 (EM) 000388244

(51) **LOC (8) Cl.** **08-05**

(52) **U.S. Cl.** **D8/363**

(58) **Field of Classification Search** D8/363,
D8/373; D14/209, 224, 229, 238; 248/124.1,
248/240, 278.1, 280.11, 284.1, 291.1, 309.1,
248/316.4

See application file for complete search history.

FIG. 1 is a front perspective view of the mounting bracket;
FIG. 2 is a top plan view of the mounting bracket;
FIG. 3 is an underneath plan view of the mounting bracket;
FIG. 4 is a side view of the mounting bracket;
FIG. 5 is a rear view of the mounting bracket; and,
FIG. 6 is a front view of the mounting bracket.

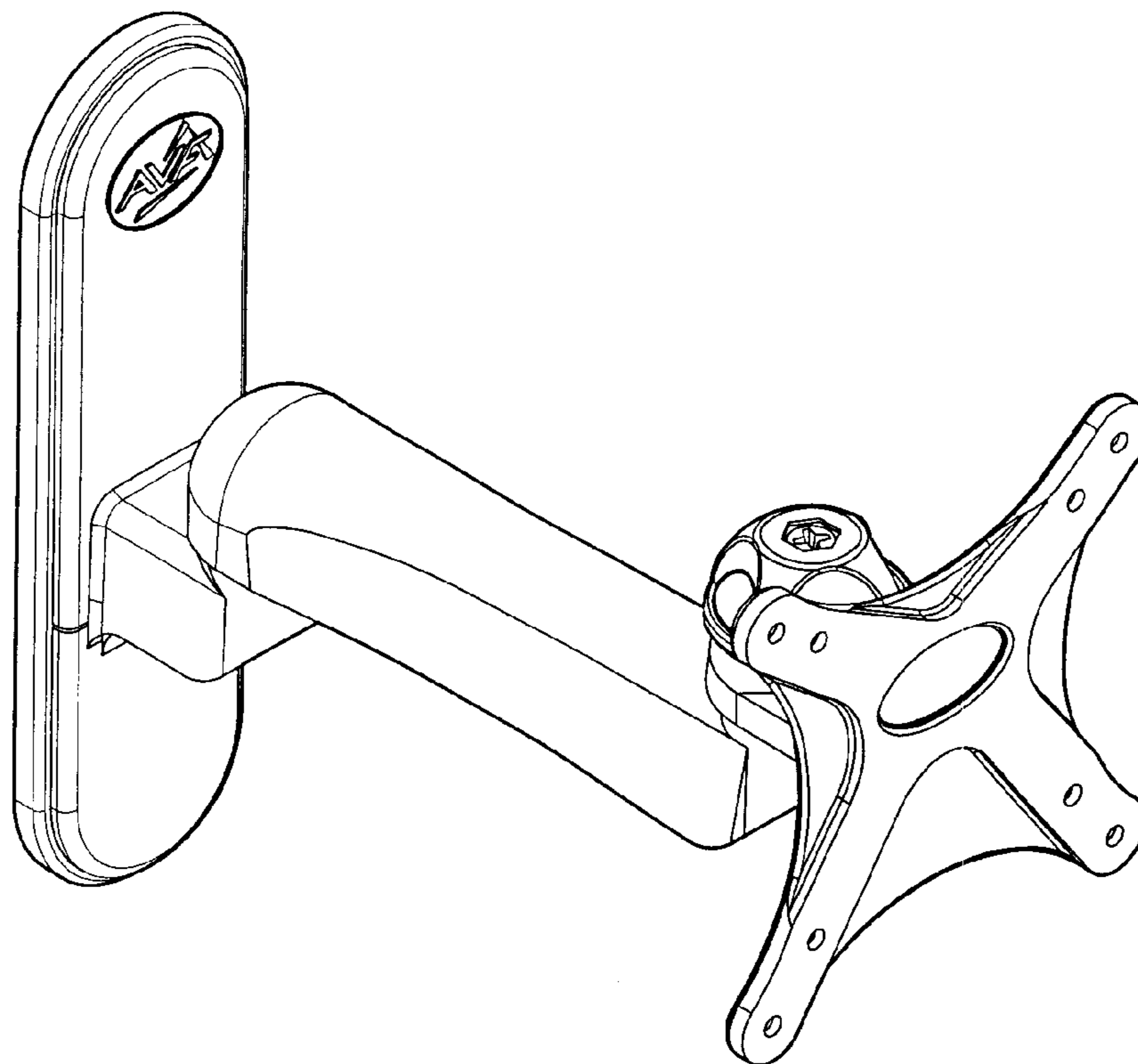
The AVF logo forming part of the claimed design is a registered trademark of the AVF Group Limited.

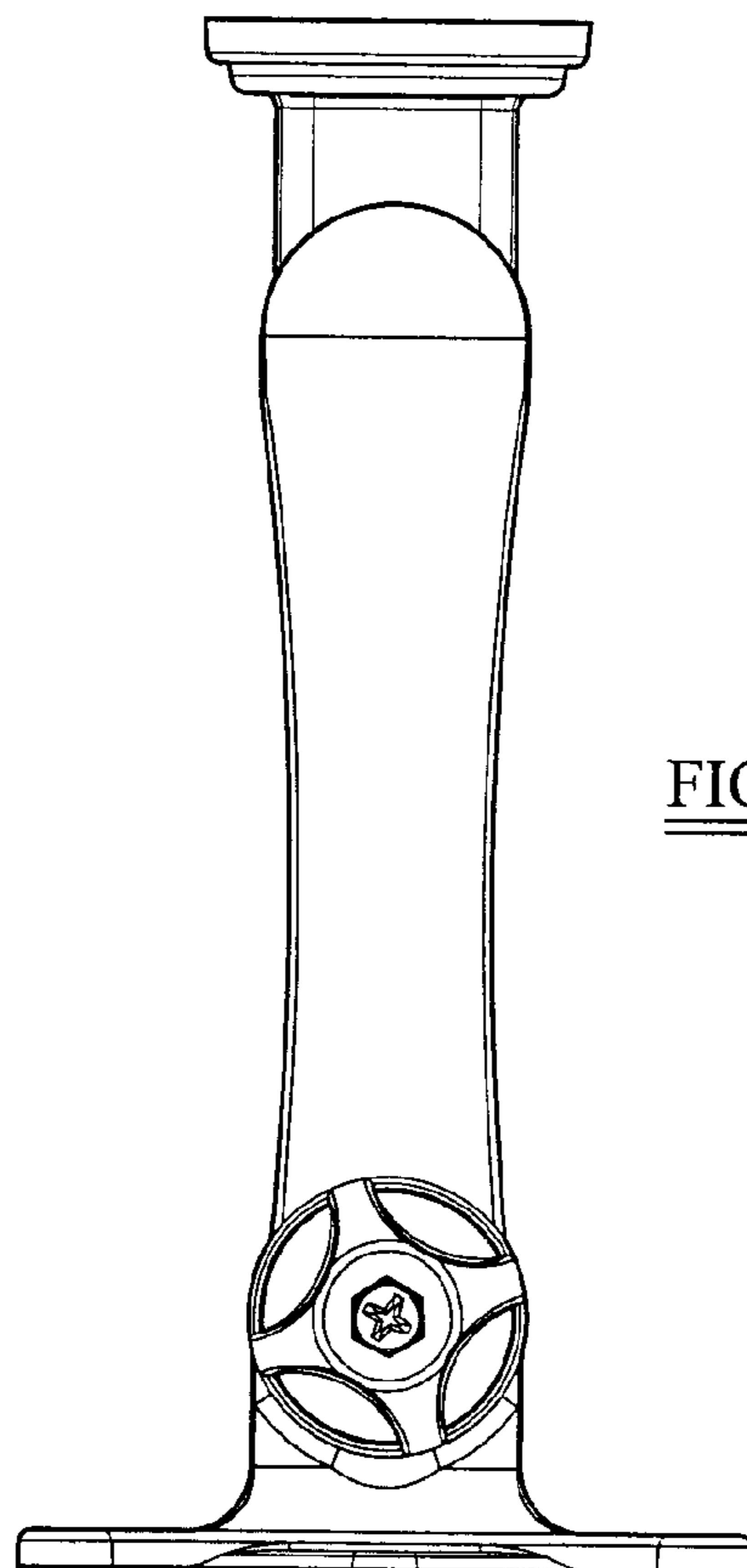
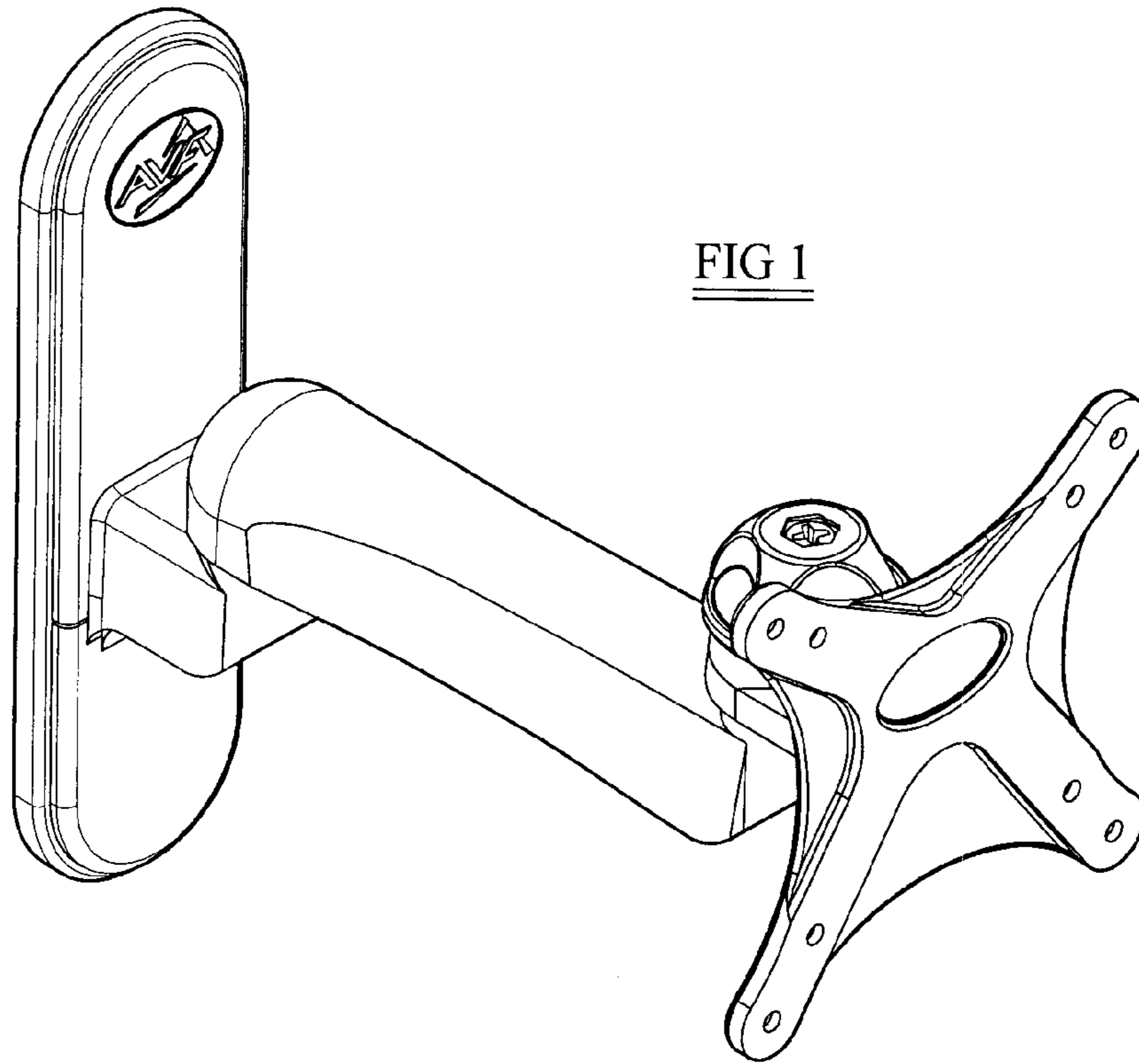
(56) **References Cited**

U.S. PATENT DOCUMENTS

D218,016 S * 7/1970 Hogebe D8/363

1 Claim, 3 Drawing Sheets





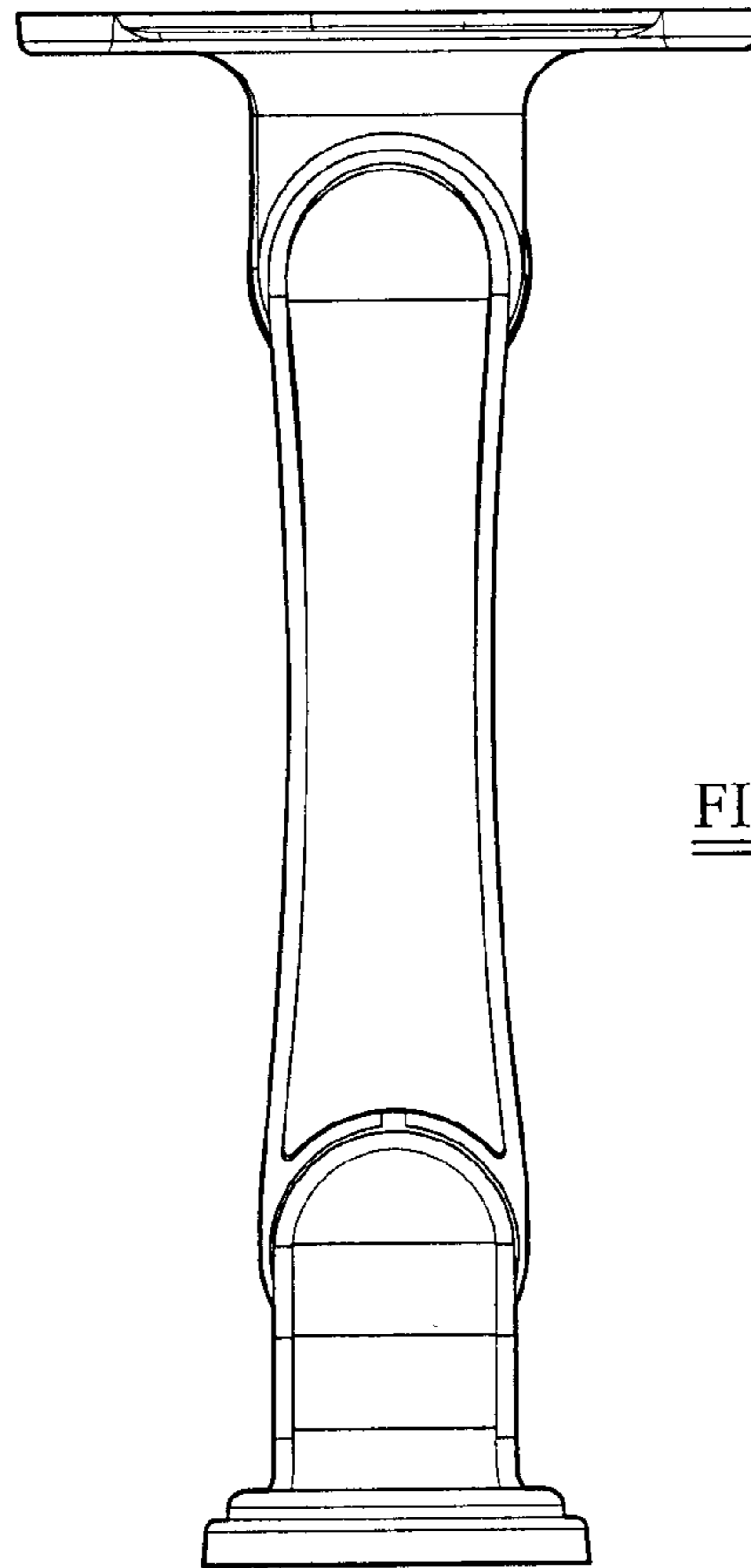


FIG 3

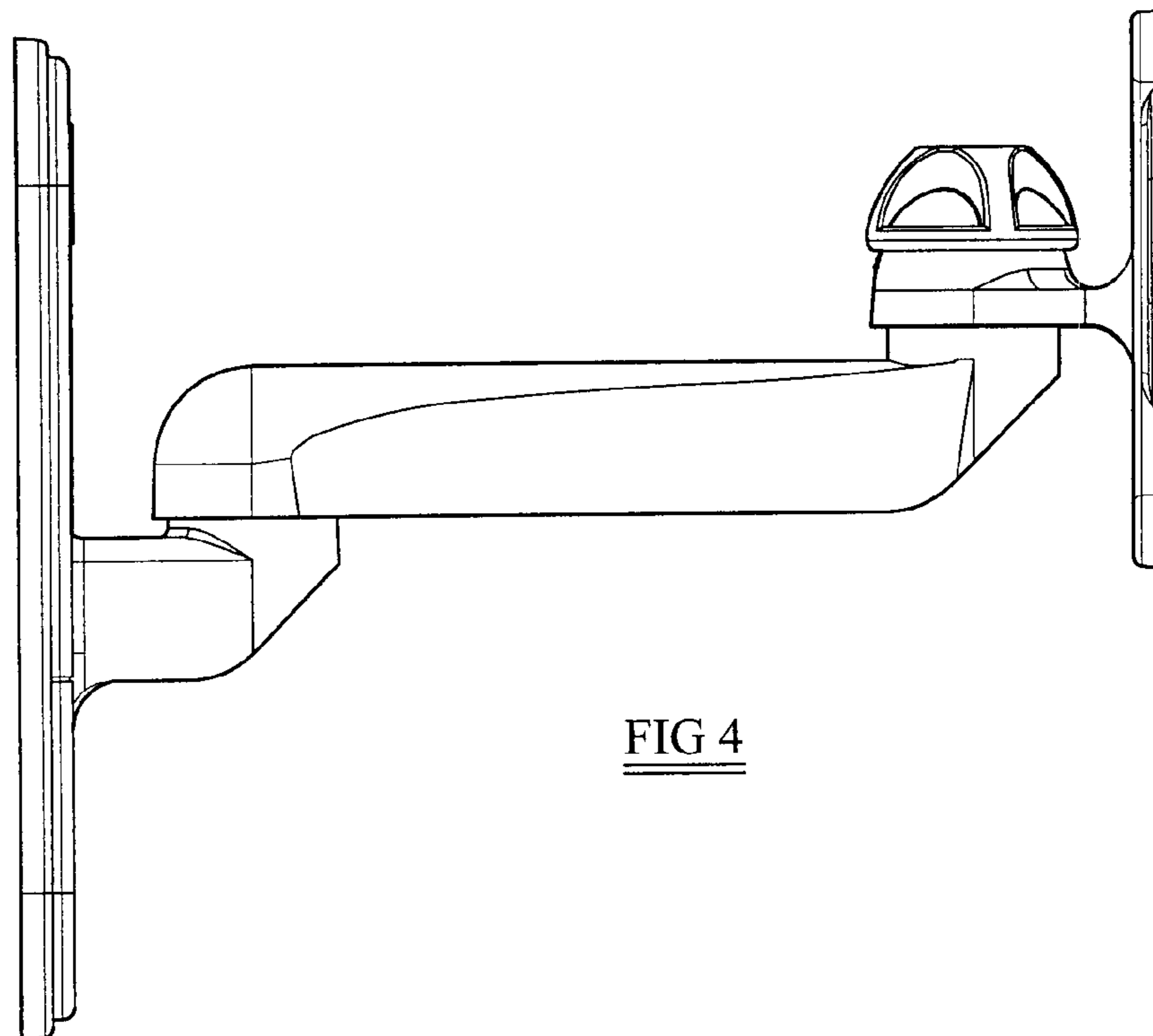


FIG 4

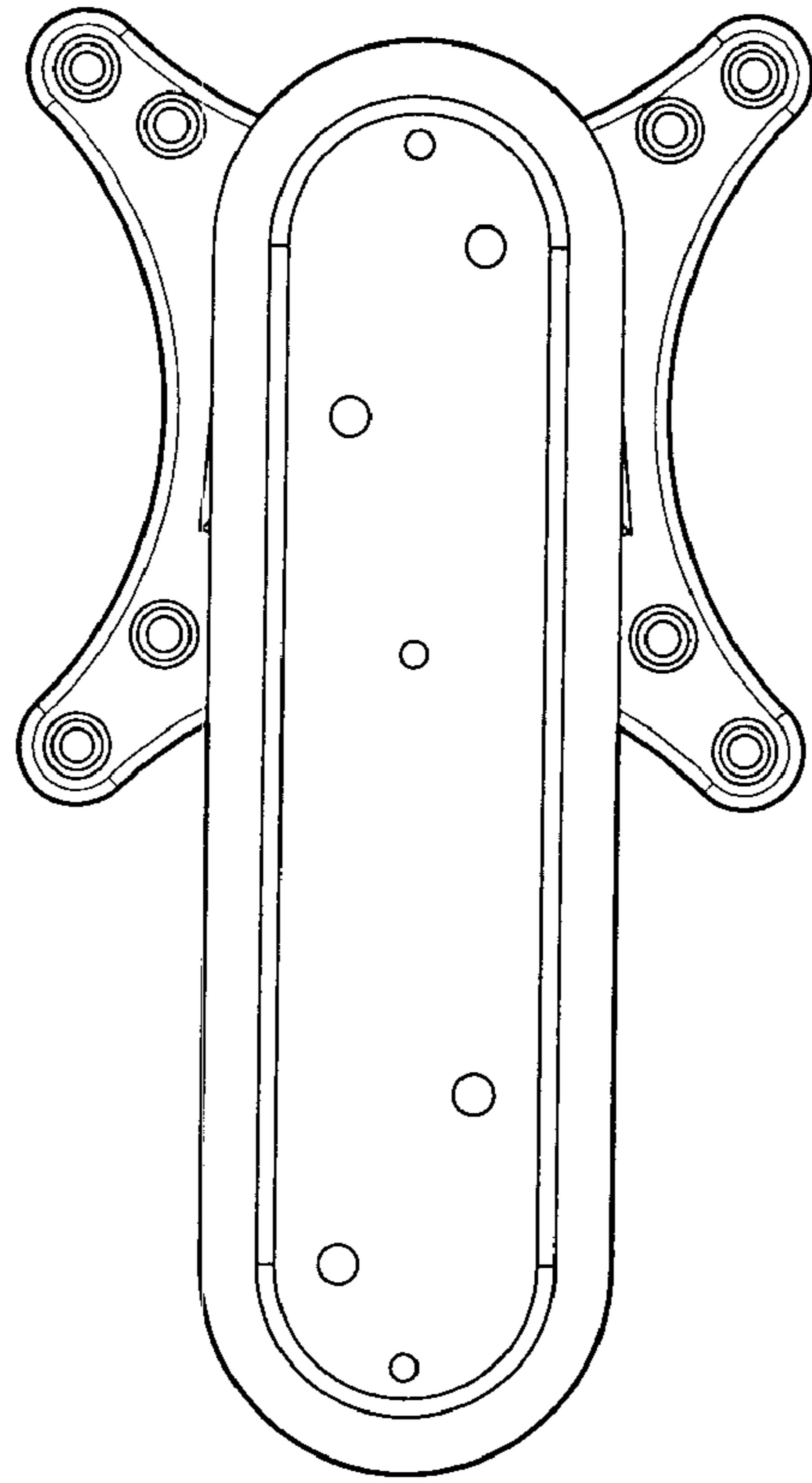


FIG 5

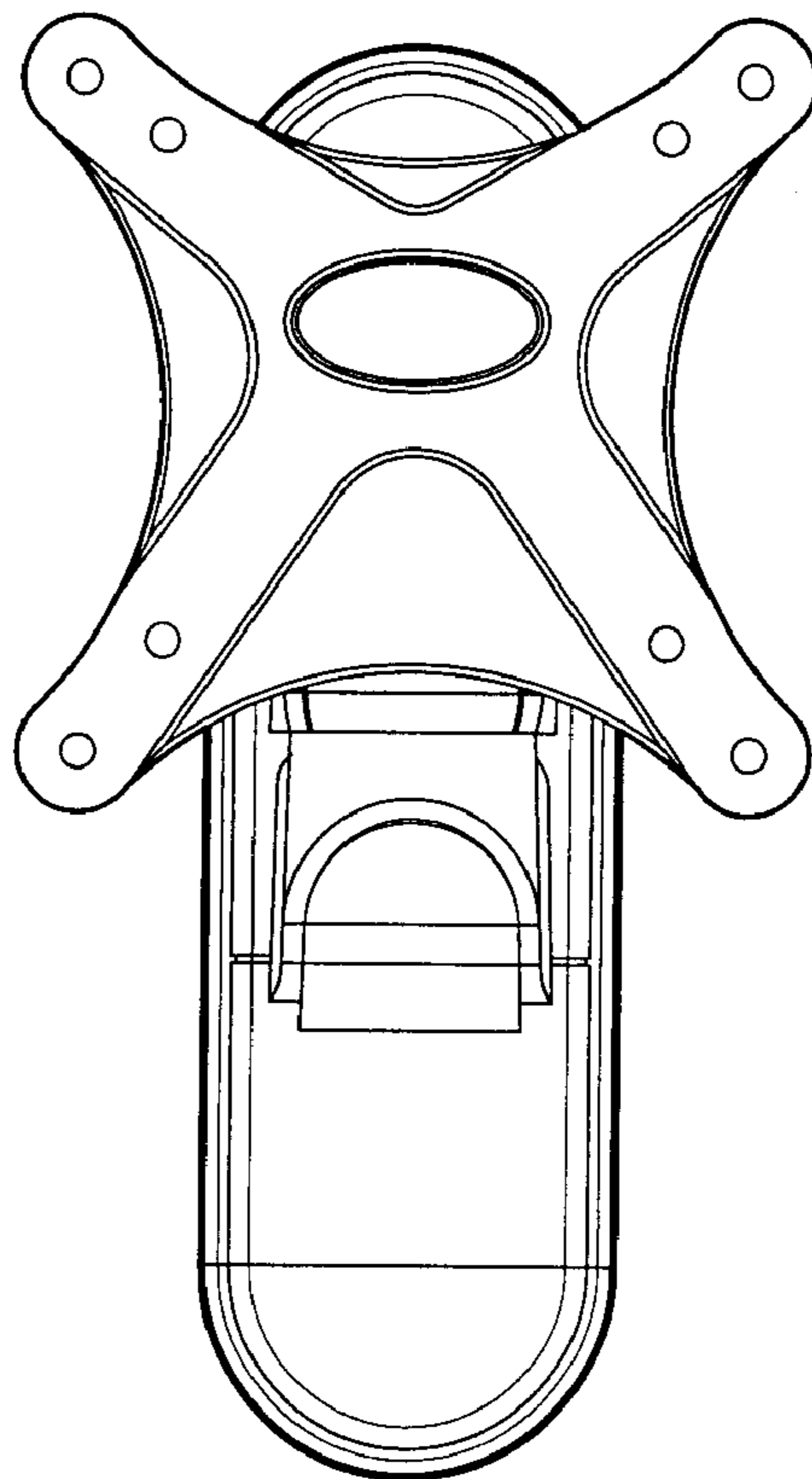


FIG 6