



US00D534784S

(12) **United States Design Patent**
Veltz

(10) **Patent No.:** **US D534,784 S**
(45) **Date of Patent:** **** Jan. 9, 2007**

(54) **LEVER**
(75) Inventor: **Jason D. Veltz**, Laguna Hills, CA (US)
(73) Assignee: **Newfrey LLC**, Newark, DE (US)
(**) Term: **14 Years**
(21) Appl. No.: **29/211,994**
(22) Filed: **Aug. 25, 2004**
(51) **LOC (8) Cl.** **08-06**
(52) **U.S. Cl.** **D8/308**
(58) **Field of Classification Search** D6/522,
D6/546; D8/158, 300–311, 313–323, 400,
D8/401, 330, 331, 336, 338, 341, 343, 350–353;
4/234, 246.1, 246.3, 248, 246.4; 16/11 R,
16/111 R

See application file for complete search history.

D218,619 S 9/1970 Young
D218,770 S 9/1970 Kelly
D219,702 S 1/1971 Korol
3,677,593 A 7/1972 Wahlberg
D239,798 S 5/1976 Vrignaud
D257,476 S 11/1980 Sirois
D261,856 S 11/1981 Meisner
D262,601 S 1/1982 Peppard
D269,942 S 8/1983 Coppola
D280,073 S 8/1985 Wildgen
D290,336 S 6/1987 Paul
D292,063 S 9/1987 Hill
D292,264 S * 10/1987 Staufenberg et al. D8/380
D297,507 S 9/1988 Yandek et al.
D298,411 S * 11/1988 Castiglioni D8/301
D298,733 S 11/1988 Pool
D300,115 S 3/1989 Halsted et al.
D300,299 S 3/1989 Bellini
4,873,853 A 10/1989 Foshee
D311,855 S 11/1990 Jans

(Continued)

(56) **References Cited**

U.S. PATENT DOCUMENTS

211,853 A 2/1879 Kinzer
234,058 A 11/1880 Peacock
653,693 A 7/1900 Parker
897,802 A 9/1908 Voight et al.
924,801 A 6/1909 Lockwood
1,005,099 A 10/1911 Bishop
1,112,485 A 10/1914 Snyder
1,501,988 A 7/1924 Fredrickson
1,633,177 A * 6/1927 Goldsmith 292/347
1,724,630 A 8/1929 Wilson
1,803,375 A 5/1931 Adams
1,858,604 A 5/1932 Teich
1,942,525 A 1/1934 Weller
2,175,791 A 10/1939 Brauning
D118,119 S 12/1939 Jones
2,655,398 A 10/1953 Birbaum
2,676,049 A 4/1954 Wurzel
D176,714 S 1/1956 Fitzgerald
D179,220 S 11/1956 Russell
D192,496 S 4/1962 Sundberg et al.
D203,031 S 11/1965 Carsello
D208,690 S 9/1967 Morgan
3,452,564 A 7/1969 Hallgren

Primary Examiner—Paula A. Greene
(74) *Attorney, Agent, or Firm*—Richard J. Veltman; John D. DelPonti

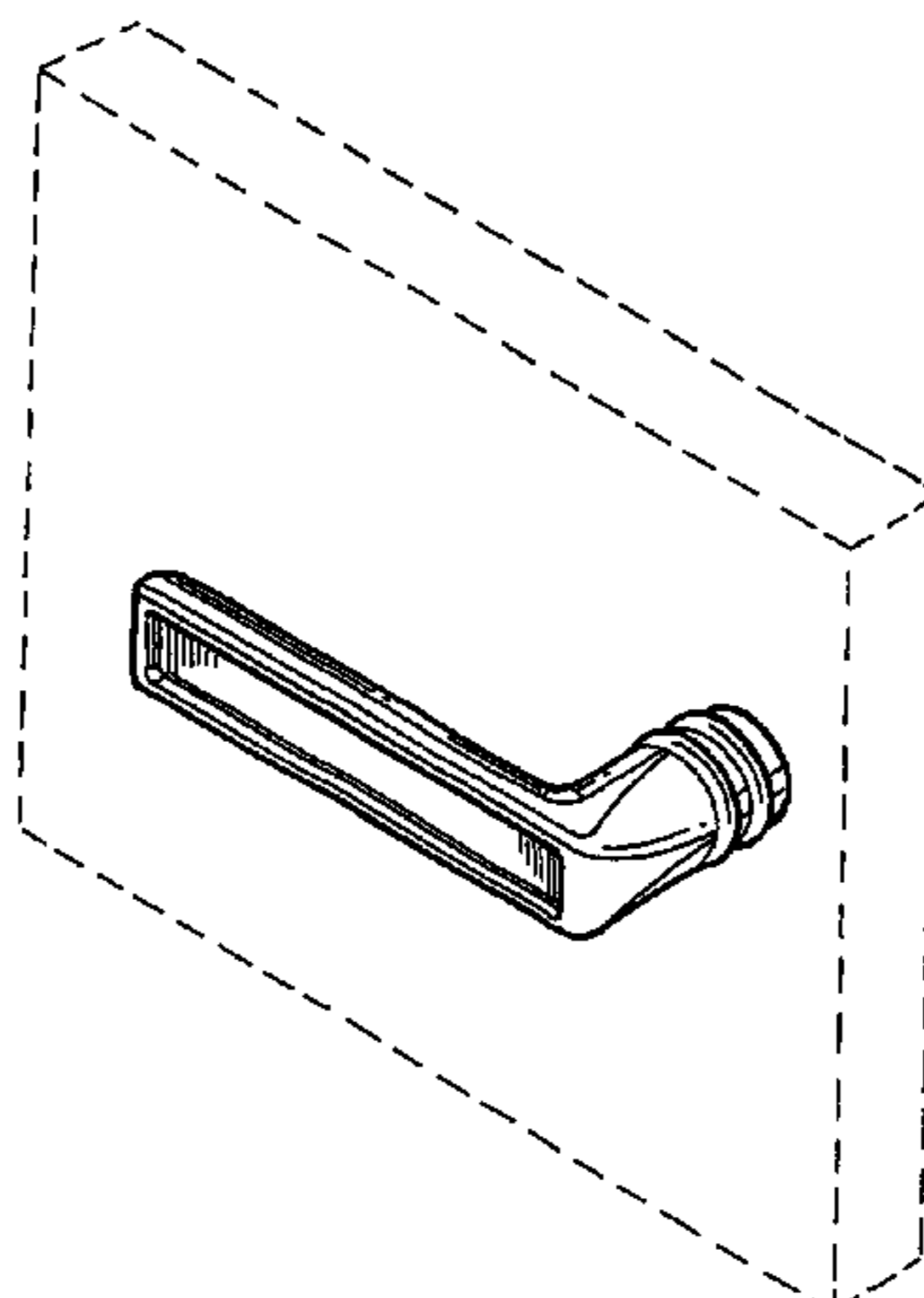
(57) **CLAIM**

The ornamental design for a lever, as shown and described.

DESCRIPTION

FIG. 1 is a perspective view of the new design for a lever;
FIG. 2 is a front elevational view of the new design for a lever;
FIG. 3 is a top plan view of the new design for a lever, the bottom plan view being a mirror image;
FIG. 4 is a right side elevational view of the new design for a lever;
FIG. 5 is a left side elevational view of the new design for a lever; and,
FIG. 6 is a back elevational view of the new design for a lever.
The broken lines in the Figures are for illustrative purposes only and form no part of the claimed design.

1 Claim, 3 Drawing Sheets



US D534,784 S

Page 2

U.S. PATENT DOCUMENTS

| | | | | | | | | |
|-------------|---|---------|----------------------|---------|-------------|-----------|----------------------|---------|
| D312,956 S | * | 12/1990 | Boeri | D8/308 | D390,774 S | 2/1998 | Lutzker | |
| D313,542 S | | 1/1991 | Fayerman | | D393,994 S | 5/1998 | Hankel et al. | |
| D315,087 S | | 3/1991 | Jans | | D400,776 S | 11/1998 | Prevot et al. | |
| D315,488 S | | 3/1991 | Tremonti | | 5,835,980 A | 11/1998 | Houssian | |
| D317,706 S | * | 6/1991 | Boeri | D8/308 | 5,837,932 A | 11/1998 | Carswell et al. | |
| D319,963 S | | 9/1991 | Britz et al. | | D402,527 S | * 12/1998 | Mahlmann et al. | D8/308 |
| D328,850 S | * | 8/1992 | Marques | D8/308 | 5,881,433 A | 3/1999 | Mutone et al. | |
| D329,188 S | * | 9/1992 | Paul | D8/308 | D423,326 S | 4/2000 | Moon et al. | |
| D334,881 S | | 4/1993 | Sentschak, II et al. | | D427,291 S | 6/2000 | Milrud et al. | |
| 5,219,192 A | | 6/1993 | Berger | | D431,444 S | 10/2000 | Short | |
| D338,608 S | | 8/1993 | Martin et al. | | D431,445 S | 10/2000 | Short | |
| D339,280 S | | 9/1993 | Bray et al. | | D444,694 S | 7/2001 | Alvarado | |
| D343,107 S | | 1/1994 | Fulton | | D451,782 S | * 12/2001 | Dewald | D8/317 |
| D346,105 S | | 4/1994 | Shaanan | | D455,199 S | 4/2002 | Lenart et al. | |
| D350,890 S | | 9/1994 | Boeri | | D455,633 S | 4/2002 | Jospe | |
| D351,099 S | | 10/1994 | Flasz | | D466,788 S | 12/2002 | Baskauskas et al. | |
| D351,456 S | * | 10/1994 | Paul | D23/252 | D469,329 S | 1/2003 | Martin | |
| D351,981 S | | 11/1994 | Susani et al. | | D487,388 S | 3/2004 | Gundlach et al. | |
| D380,133 S | * | 6/1997 | Rochette et al. | D8/301 | D497,198 S | * 10/2004 | Painter et al. | D23/255 |
| D381,253 S | | 7/1997 | Guidotti | | D499,630 S | * 12/2004 | Roberts, III | D8/301 |
| D387,650 S | | 12/1997 | Lutzker | | | | | |

* cited by examiner

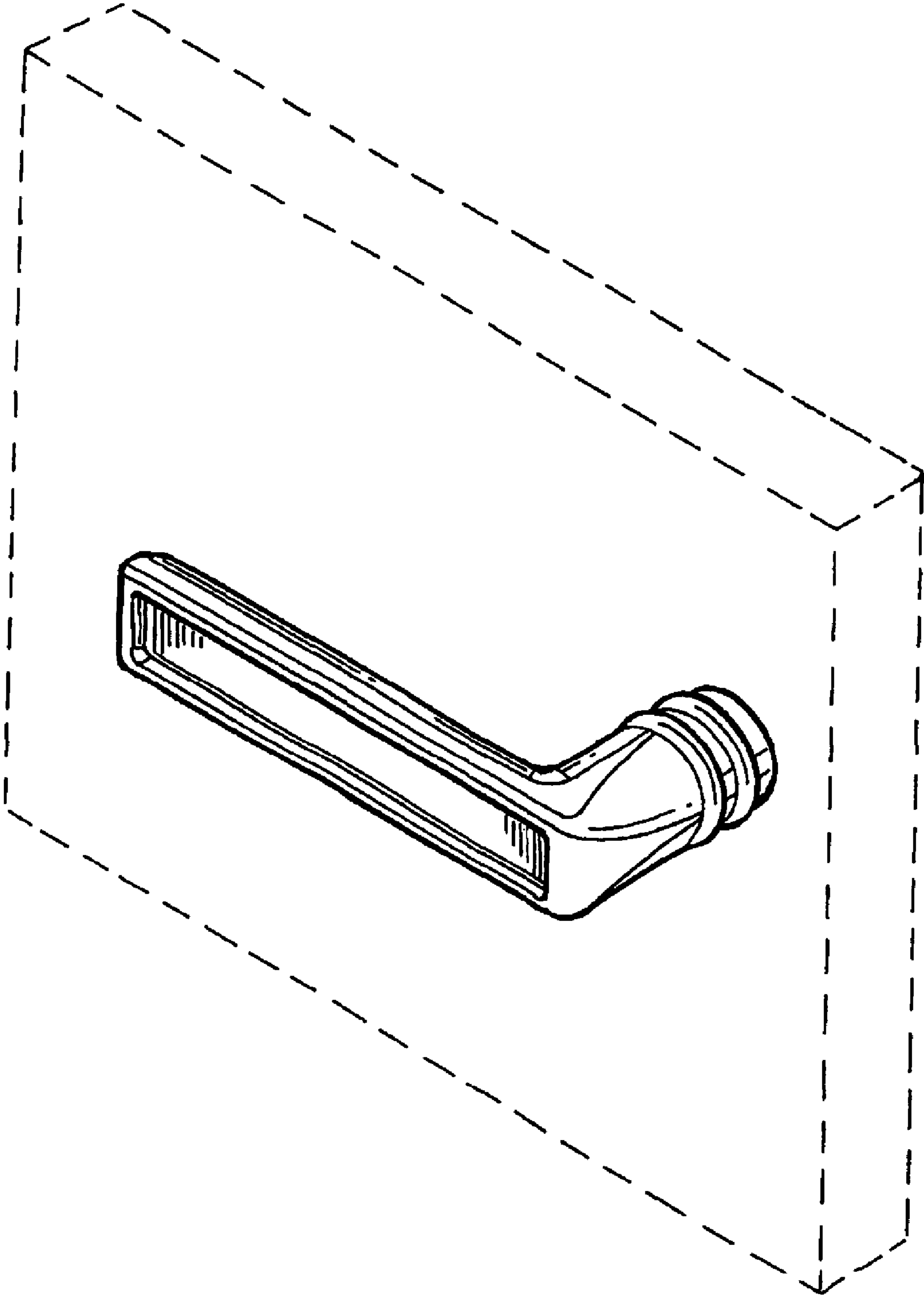


FIG. 1

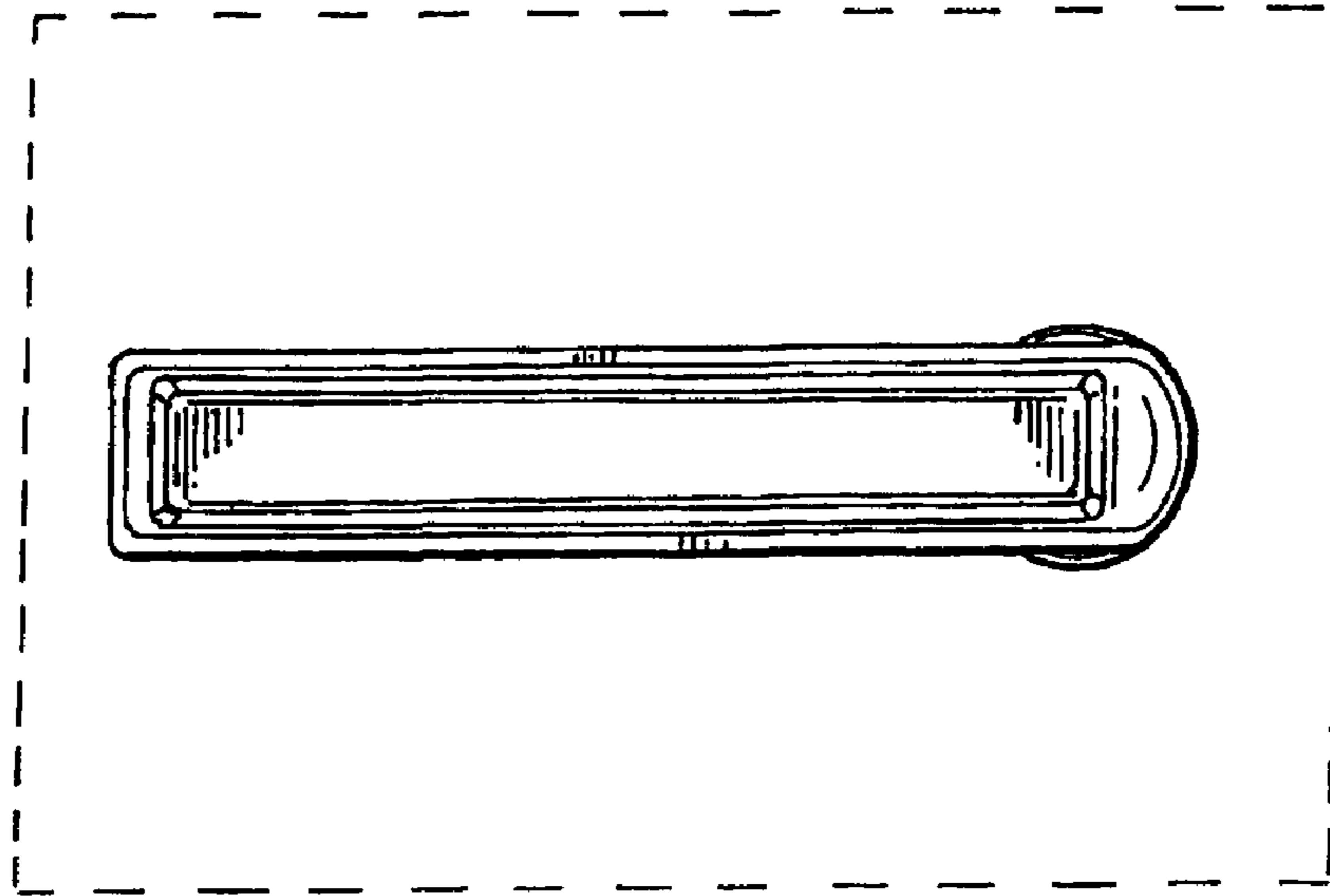


FIG. 2

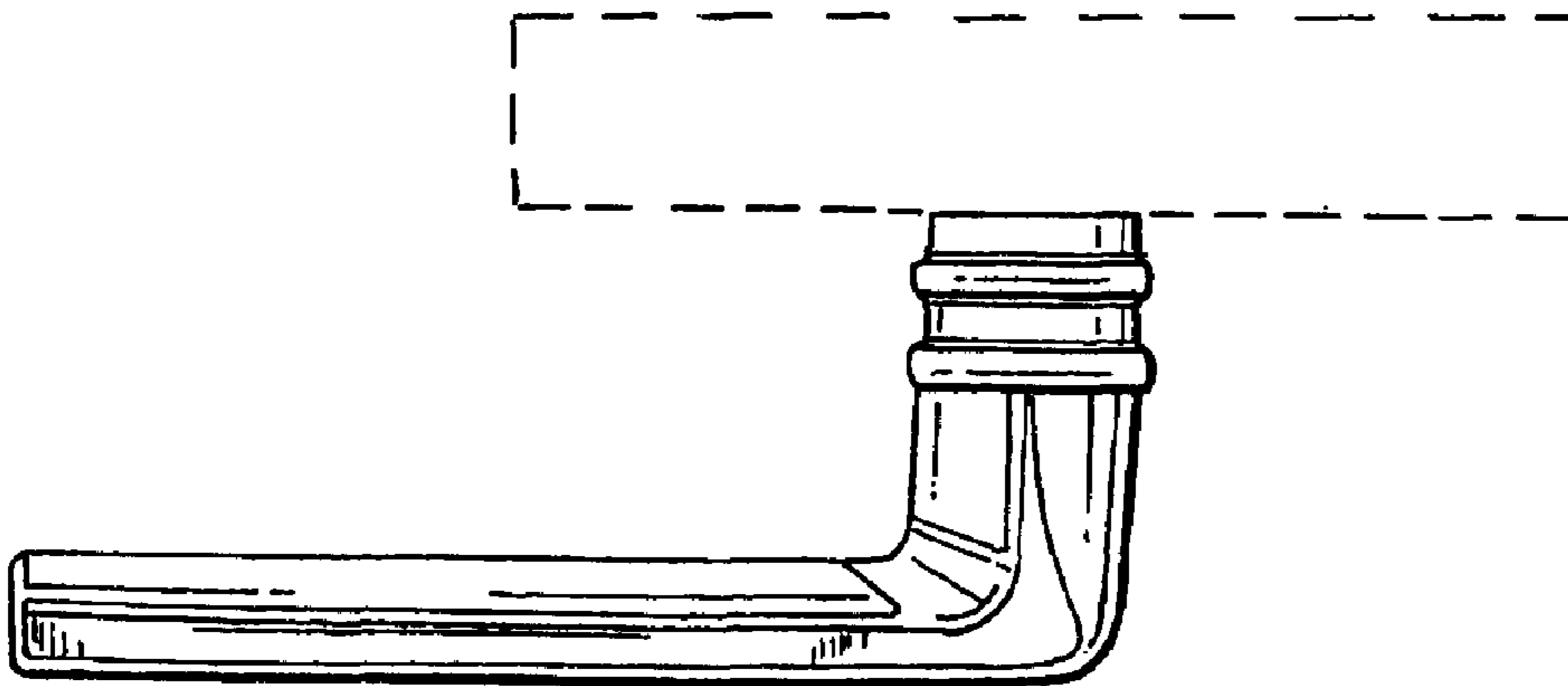


FIG. 3

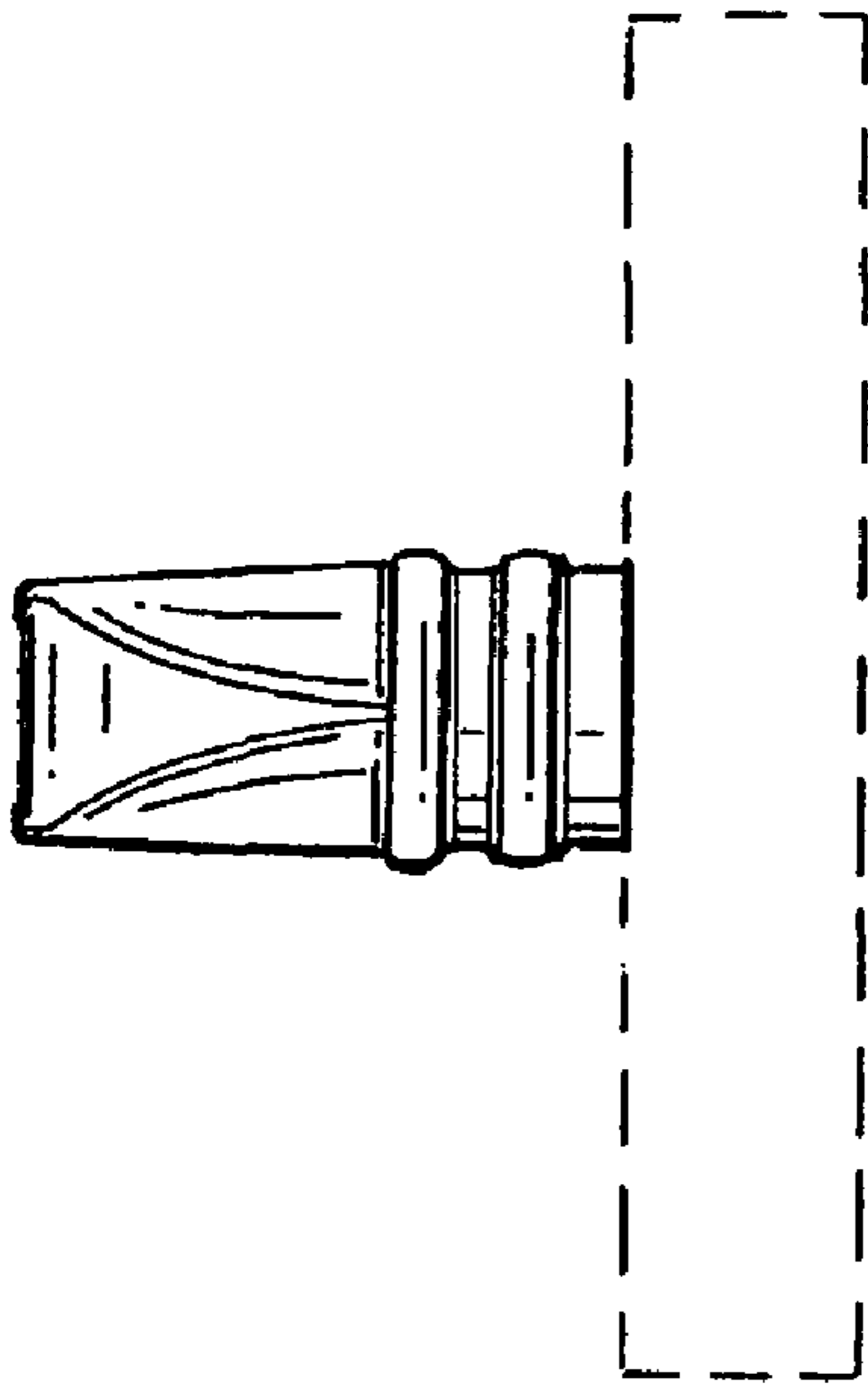


FIG. 4

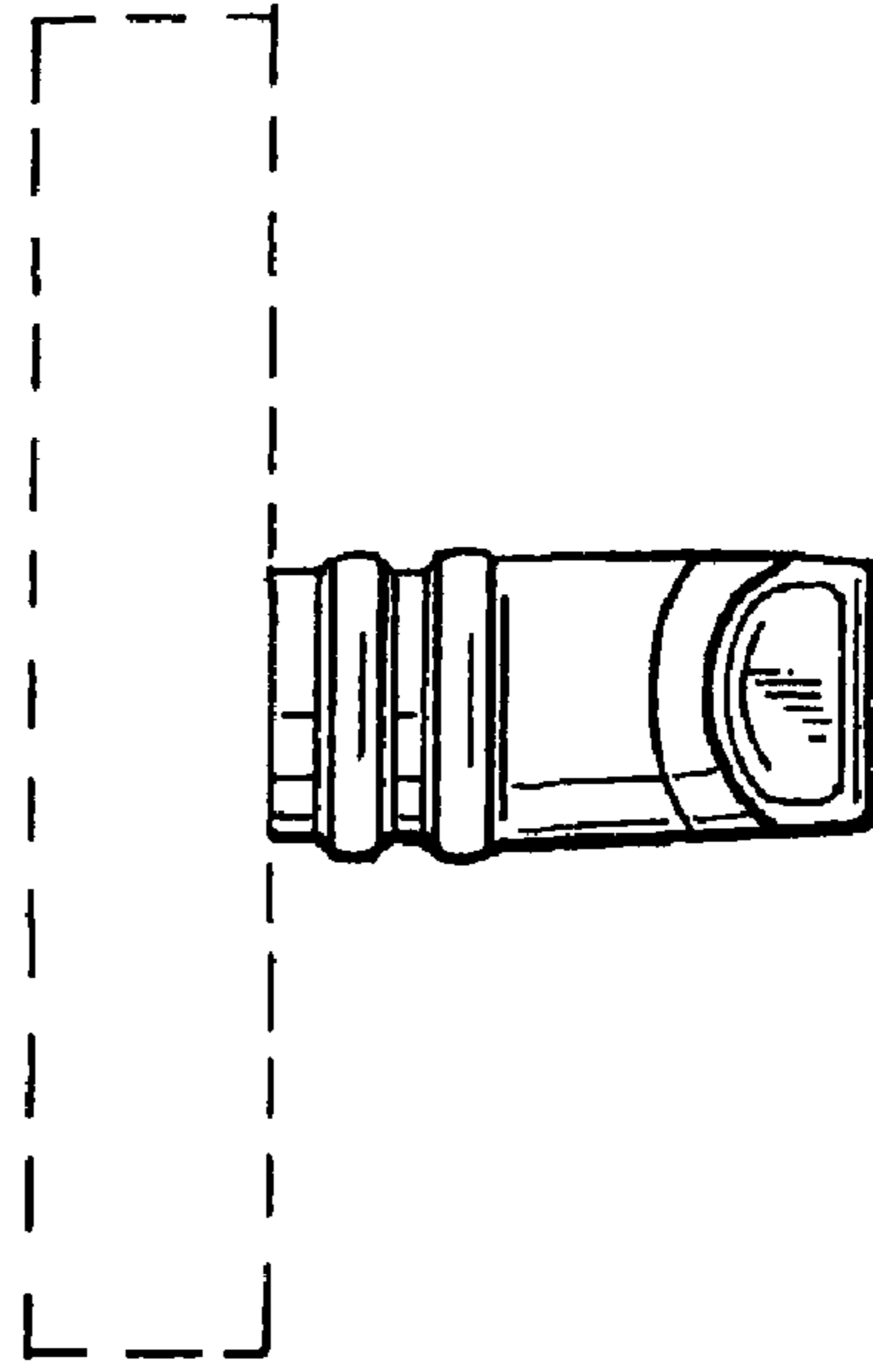


FIG. 5

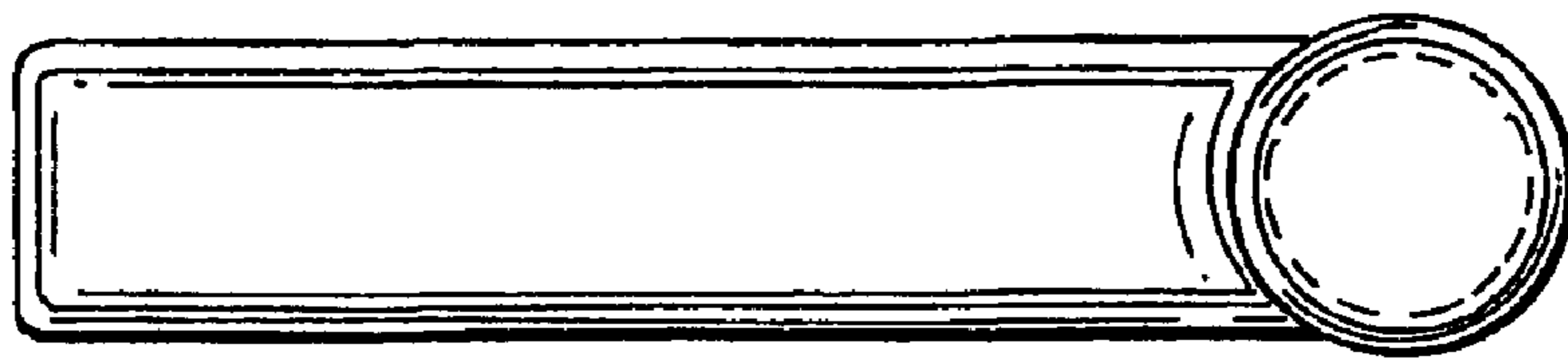


FIG. 6