



US00D534778S

(12) **United States Design Patent**  
**Chu**

(10) **Patent No.:** **US D534,778 S**

(45) **Date of Patent:** **\*\* Jan. 9, 2007**

(54) **ELECTRIC SAW**

(75) **Inventor:** **Vincent Yiu Tak Chu**, Hong Kong (HK)

(73) **Assignee:** **Choon Nang Electrical Appliance Mfy., Ltd.**, Hong Kong (HK)

(\*\*) **Term:** **14 Years**

(21) **Appl. No.:** **29/230,835**

(22) **Filed:** **May 26, 2005**

(51) **LOC (8) Cl.** ..... **08-03**

(52) **U.S. Cl.** ..... **D8/64**

(58) **Field of Classification Search** ..... D8/69,  
D8/68, 67, 66, 65, 64, 62, 61; 30/92, 394,  
30/393, 392, 377, 376, 371; 74/50, 49; 173/217,  
173/216; 83/699.21; 446/145

See application file for complete search history.

(56) **References Cited**

**U.S. PATENT DOCUMENTS**

5,007,172	A	*	4/1991	Palm	.....	30/377
5,598,636	A	*	2/1997	Stolzer	.....	30/394
5,794,352	A	*	8/1998	Dassoulas	.....	30/392
5,855,070	A	*	1/1999	Grabowski	.....	30/376
D408,699	S	*	4/1999	Zurwelle	.....	D8/64
6,282,797	B1	*	9/2001	Osada et al.	.....	30/392
6,357,125	B1	*	3/2002	Feldmann et al.	.....	30/392
D468,982	S	*	1/2003	Brazell et al.	.....	D8/64
D479,453	S	*	9/2003	Lind et al.	.....	D8/64
D504,603	S	*	5/2005	Xiaoxian	.....	D8/64
D506,117	S	*	6/2005	Sun et al.	.....	D8/64

6,912,790	B1	*	7/2005	James et al.	.....	30/392
2001/0011420	A1	*	8/2001	Osada	.....	30/392
2002/0138991	A1	*	10/2002	Tachibana et al.	.....	30/392
2002/0144411	A1	*	10/2002	Brooks	.....	30/392
2003/0110645	A1	*	6/2003	Phillips et al.	.....	30/392
2003/0163924	A1	*	9/2003	Hempe et al.	.....	30/388
2004/0148789	A1	*	8/2004	Gist et al.	.....	30/392
2004/0149553	A1	*	8/2004	Duffek et al.	.....	200/61.58 R
2005/0039340	A1	*	2/2005	Bigden et al.	.....	30/392
2005/0092156	A1	*	5/2005	Michel et al.	.....	83/698.11
2005/0126018	A1	*	6/2005	Haas	.....	30/394
2005/0183271	A1	*	8/2005	Sugiura et al.	.....	30/392
2005/0262710	A1	*	12/2005	Moreno	.....	30/394

\* cited by examiner

*Primary Examiner*—Cathron C. Brooks

*Assistant Examiner*—Austin Murphy

(74) *Attorney, Agent, or Firm*—Alix, Yale & Ristas, LLP

(57) **CLAIM**

The ornamental design for an electric saw, as shown and described.

**DESCRIPTION**

FIG. 1 is a left front perspective view of an electric saw showing my new design;

FIG. 2 is a right rear perspective view thereof;

FIG. 3 is a left side elevational view thereof;

FIG. 4 is a right side elevational view thereof;

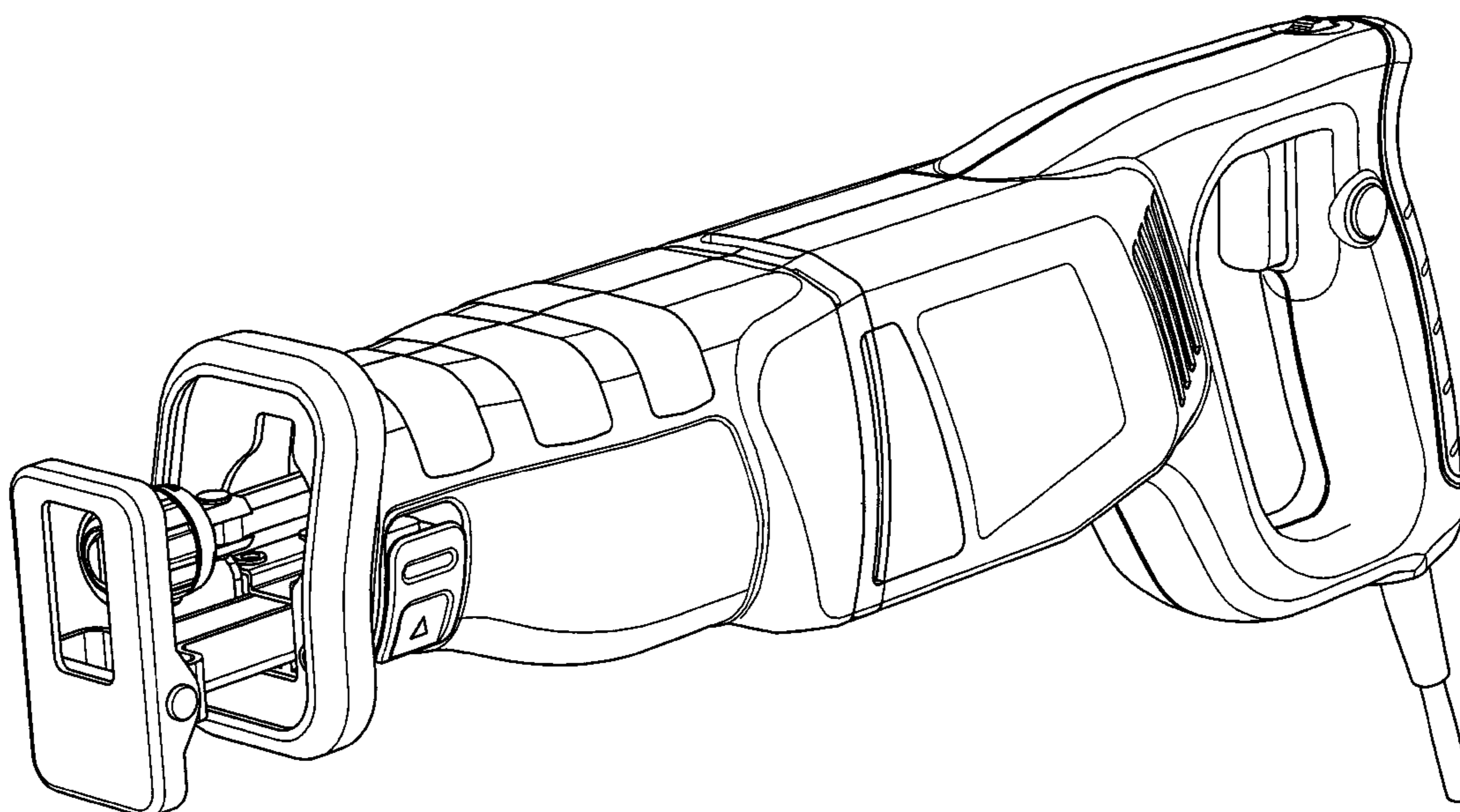
FIG. 5 is a top plan view thereof;

FIG. 6 is a bottom plan view thereof;

FIG. 7 is a front end elevational view thereof; and,

FIG. 8 is a rear end elevational view thereof.

**1 Claim, 8 Drawing Sheets**



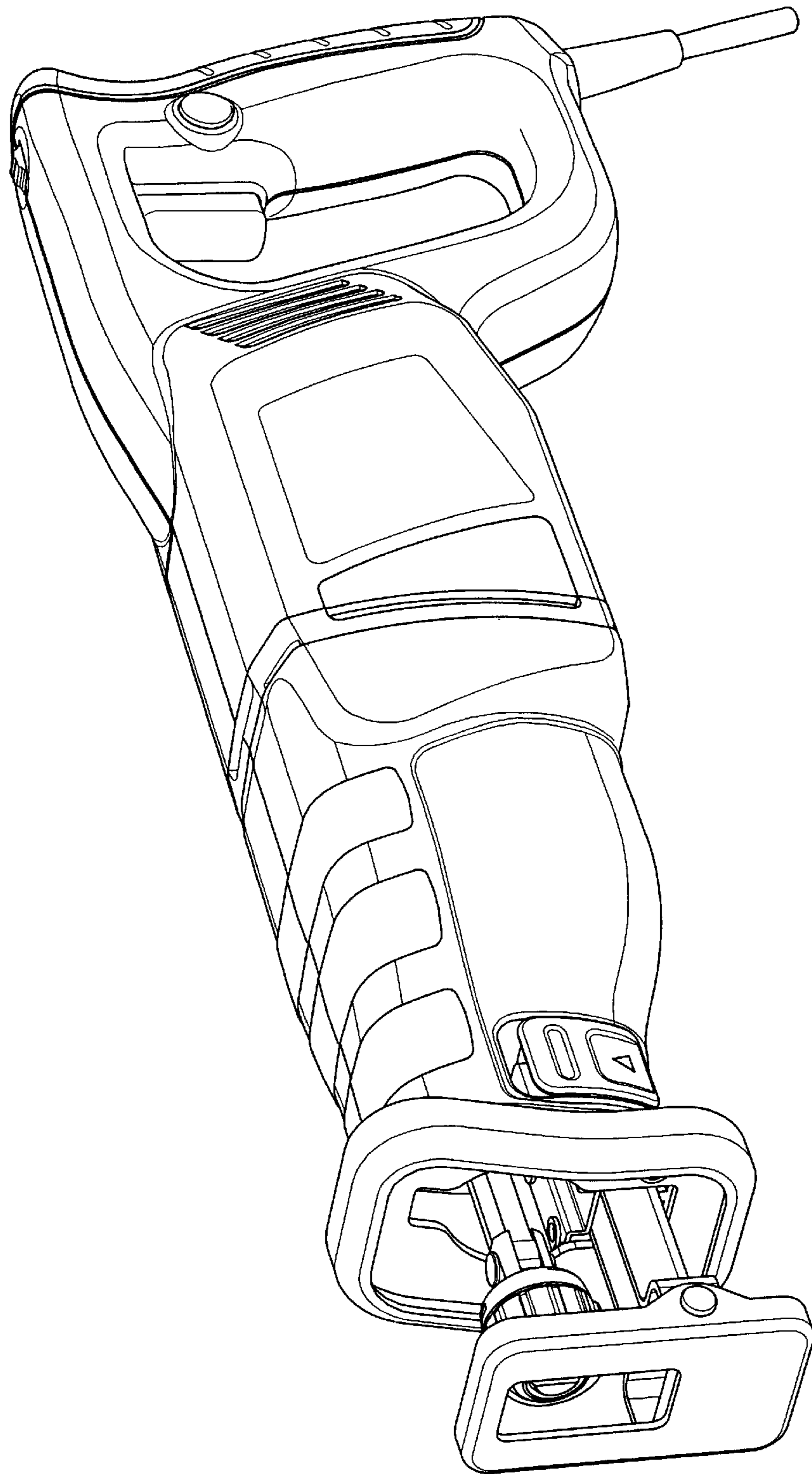


Figure 1

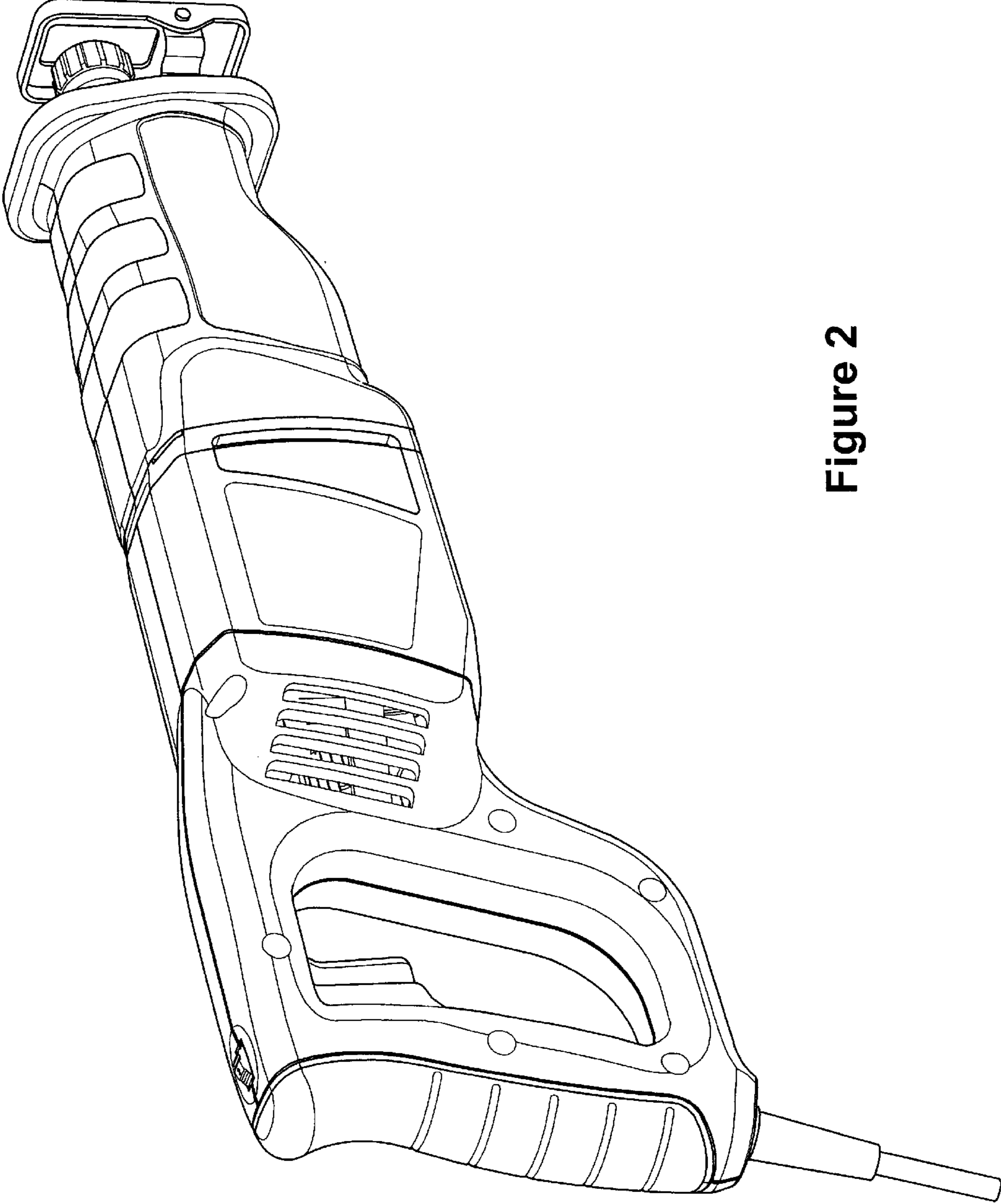


Figure 2

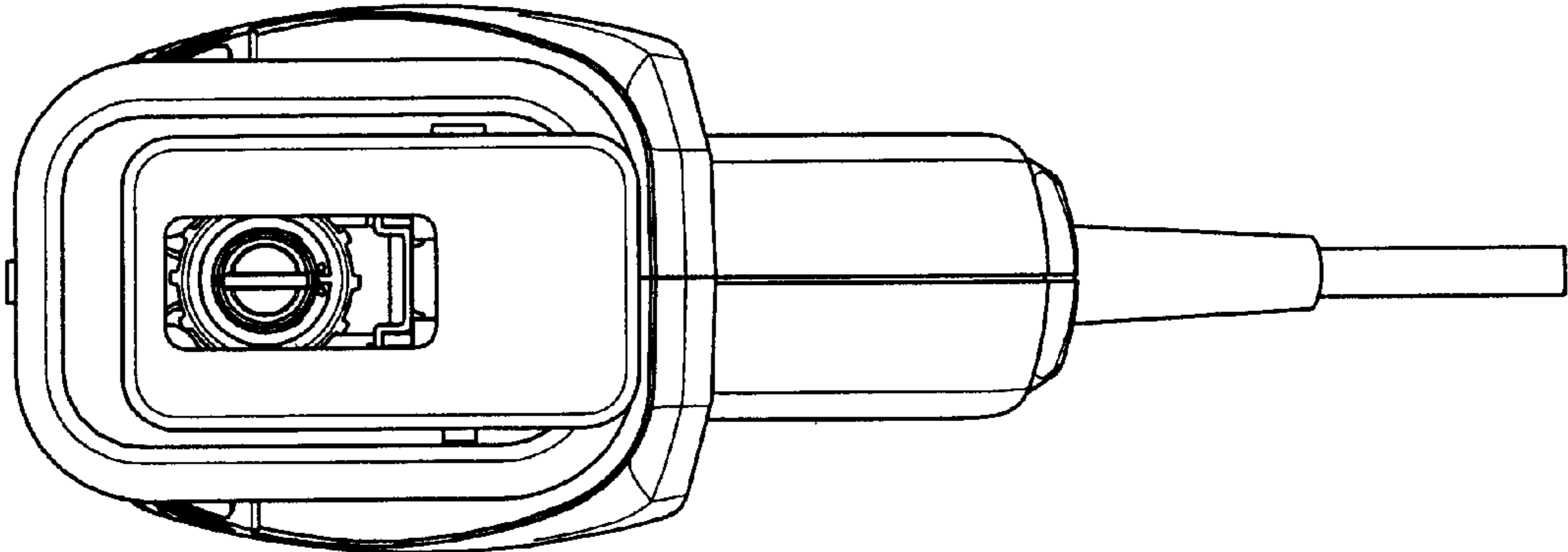


Figure 3

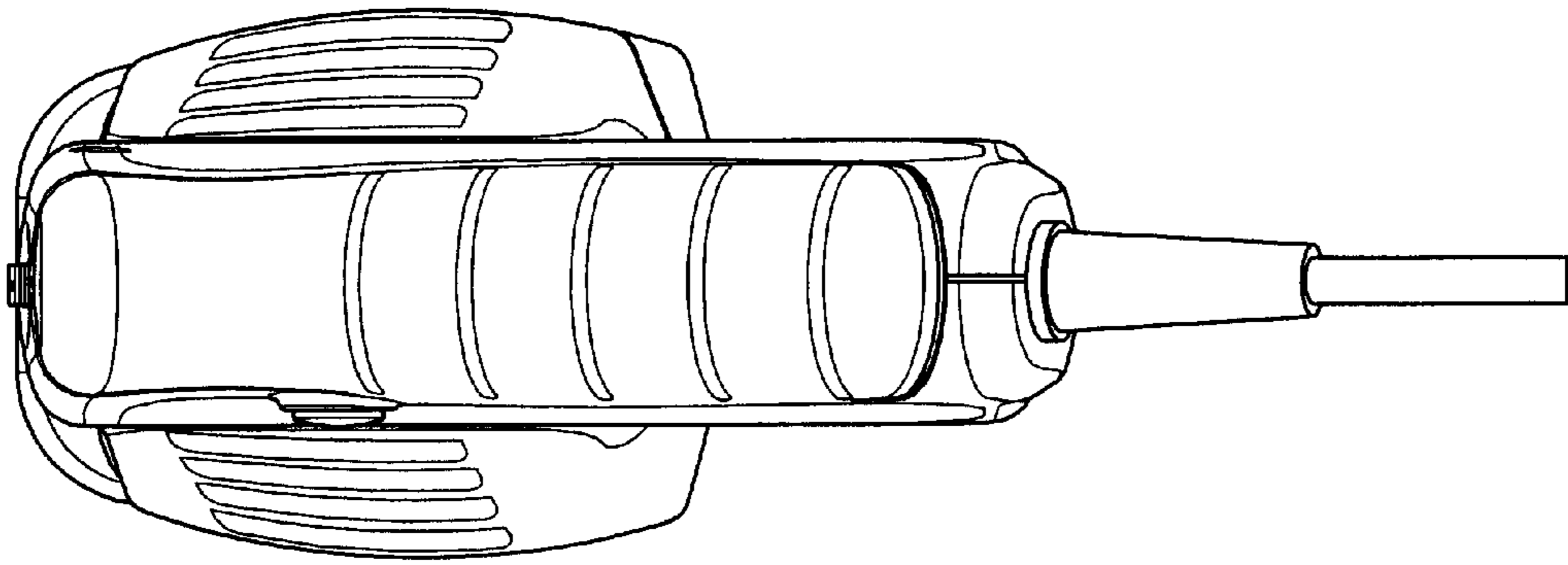


Figure 4

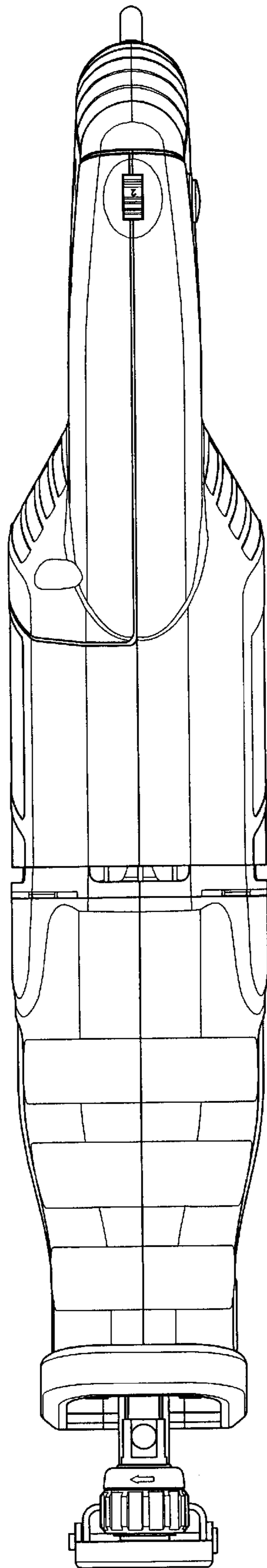


Figure 5

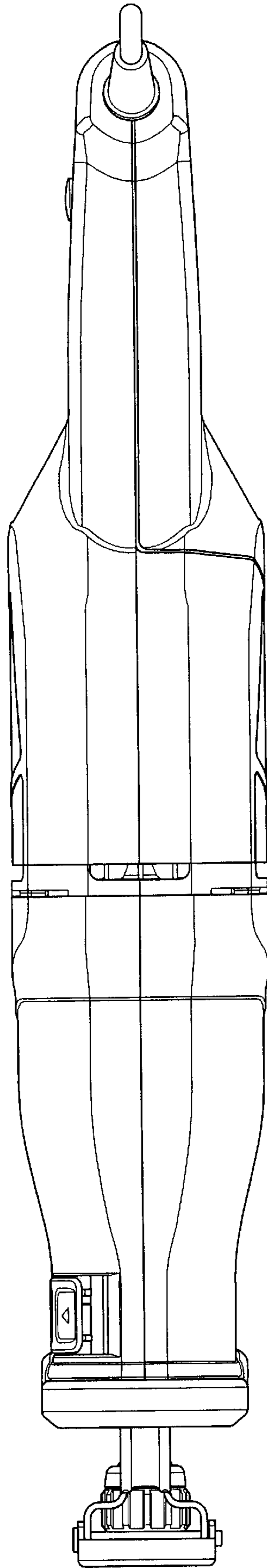


Figure 6

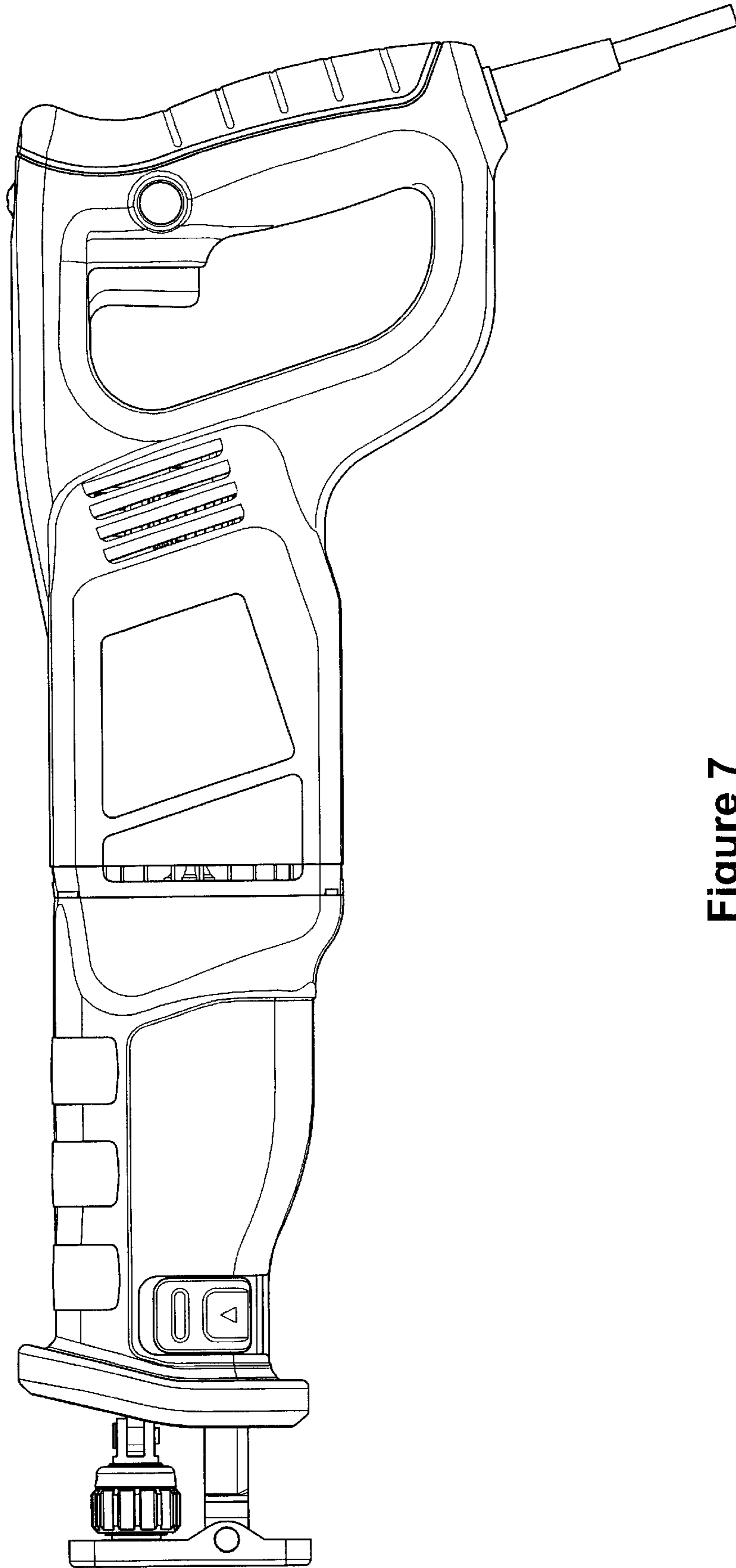


Figure 7



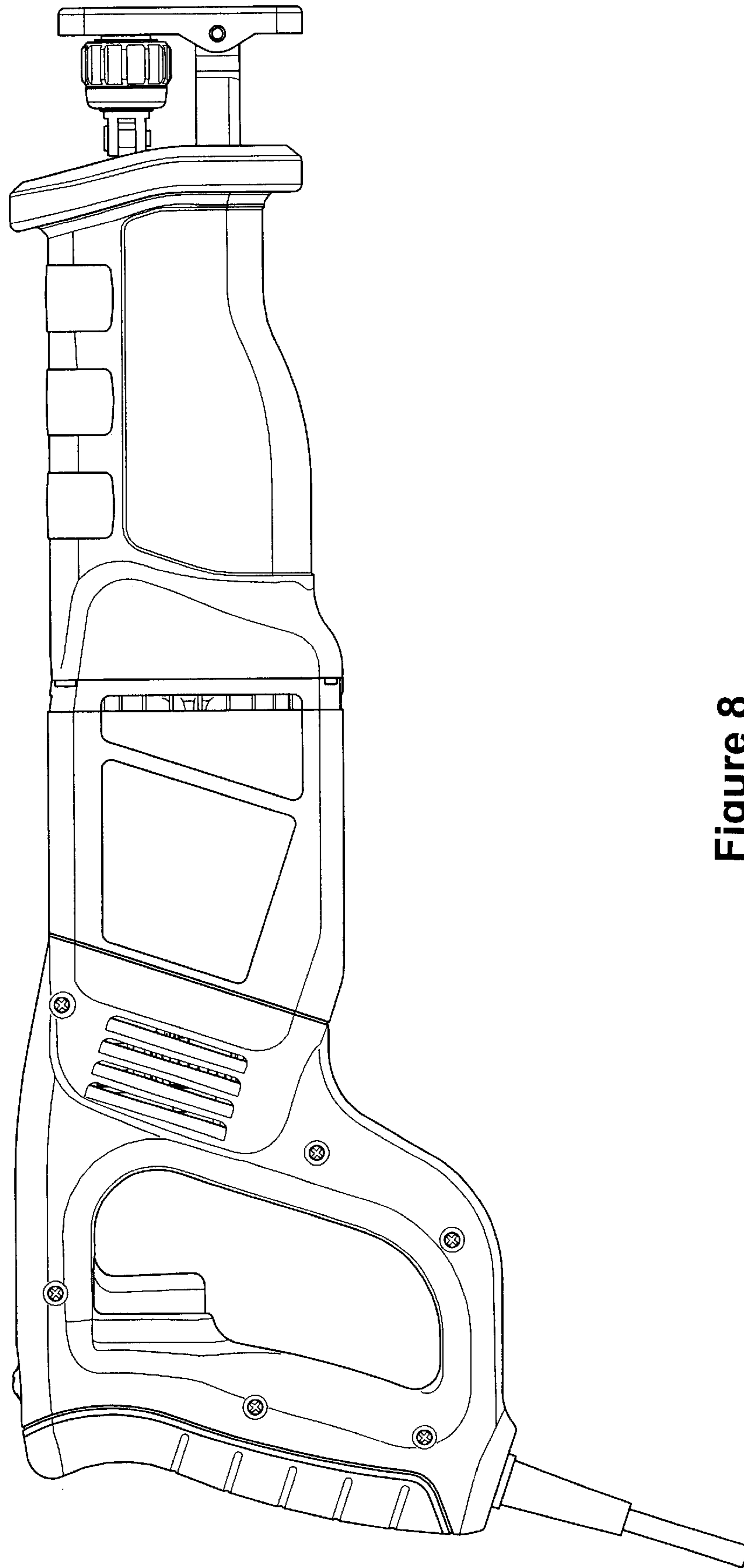


Figure 8