



US00D534777S

(12) **United States Design Patent**  
**Miller**

(10) **Patent No.:** **US D534,777 S**

(45) **Date of Patent:** **\*\* Jan. 9, 2007**

(54) **ROTARY MECHANIZED TOOL**

(75) Inventor: **Jerry Edward Miller**, Traverse City, MI (US)

(73) Assignee: **Microtorq LLC**, Traverse City, MI (US)

(\*\*) Term: **14 Years**

(21) Appl. No.: **29/245,448**

(22) Filed: **Dec. 22, 2005**

**Related U.S. Application Data**

(63) Continuation-in-part of application No. 10/654,504, filed on Sep. 3, 2003, now Pat. No. 7,090,030.

(51) **LOC (8) Cl.** ..... **08-04**

(52) **U.S. Cl.** ..... **D8/61**

(58) **Field of Classification Search** ..... D8/61,  
D8/62, 68, 70; 81/57.11, 57.13, 57.14, 57.26,  
81/57.29, 57.39, 57.42, 63.1, 429, 464, 467,  
81/469, 470, 473; 173/168, 169, 170, 176,  
173/177, 178, 181, 216, 217; 73/862.21;  
310/50

See application file for complete search history.

(56) **References Cited**

**U.S. PATENT DOCUMENTS**

D269,847 S	*	7/1983	Izumisawa	.....	D8/62
4,487,270 A		12/1984	Huber		
4,502,549 A		3/1985	Hornung et al.		
4,518,298 A		5/1985	Yasukawa		
4,571,696 A		2/1986	Bitzer		
4,887,499 A		12/1989	Kipfelsberger		
4,922,436 A		5/1990	Dohm et al.		
D320,540 S	*	10/1991	Staubitz et al.	.....	D8/61

5,115,701 A		5/1992	Lehnert		
D332,733 S	*	1/1993	Staubitz et al.	.....	D8/61
5,898,598 A		4/1999	Szwast et al.		
5,898,599 A		4/1999	Massie et al.		
D456,683 S	*	5/2002	Chen	.....	D8/61
6,405,158 B1		6/2002	Massie et al.		
6,424,799 B1		7/2002	Gilmore		
D468,605 S	*	1/2003	Morgan	.....	D8/61
6,644,419 B1	*	11/2003	Chen	.....	173/169
D484,379 S	*	12/2003	Chen	.....	D8/61
6,932,165 B1	*	8/2005	Sun et al.	.....	173/169
D525,498 S	*	7/2006	Chen	.....	D8/61
7,090,030 B1	*	8/2006	Miller	.....	173/2
2003/0047333 A1	*	3/2003	Izumisawa	.....	173/169
2004/0040727 A1	*	3/2004	Miller	.....	173/2
2006/0096767 A1	*	5/2006	Miller	.....	173/2

\* cited by examiner

*Primary Examiner*—Cathron C. Brooks

*Assistant Examiner*—Austin Murphy

(74) *Attorney, Agent, or Firm*—Keith R. Derrington

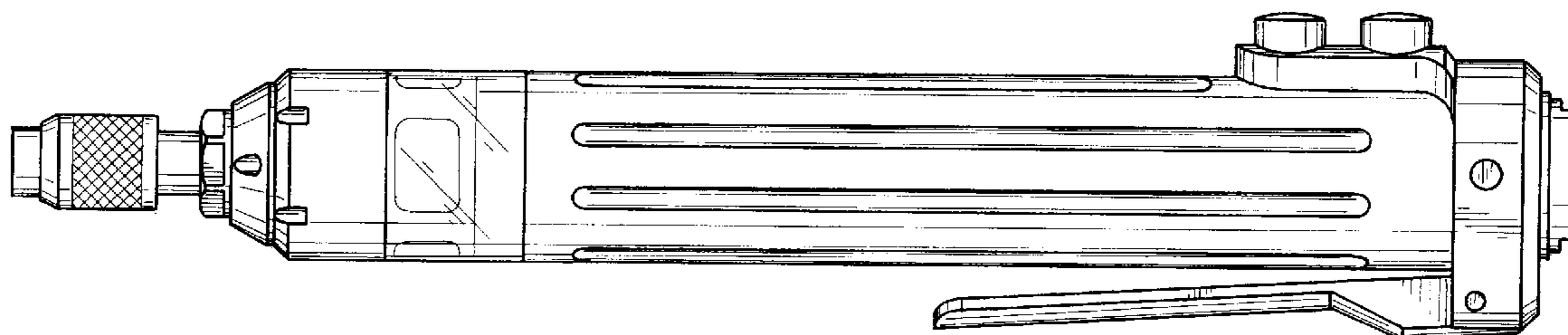
(57) **CLAIM**

The ornamental design for a rotary mechanized tool, as shown.

**DESCRIPTION**

FIG. 1 is a side view of the rotary mechanized tool in one embodiment;  
FIG. 2 is a top view of the rotary mechanized tool of FIG. 1;  
FIG. 3 is a bottom view of the rotary mechanized tool of FIG. 1;  
FIG. 4 is a frontal view of the rotary mechanized tool of FIG. 1; and,  
FIG. 5 is a rear view of the rotary mechanized tool of FIG. 1.

**1 Claim, 2 Drawing Sheets**



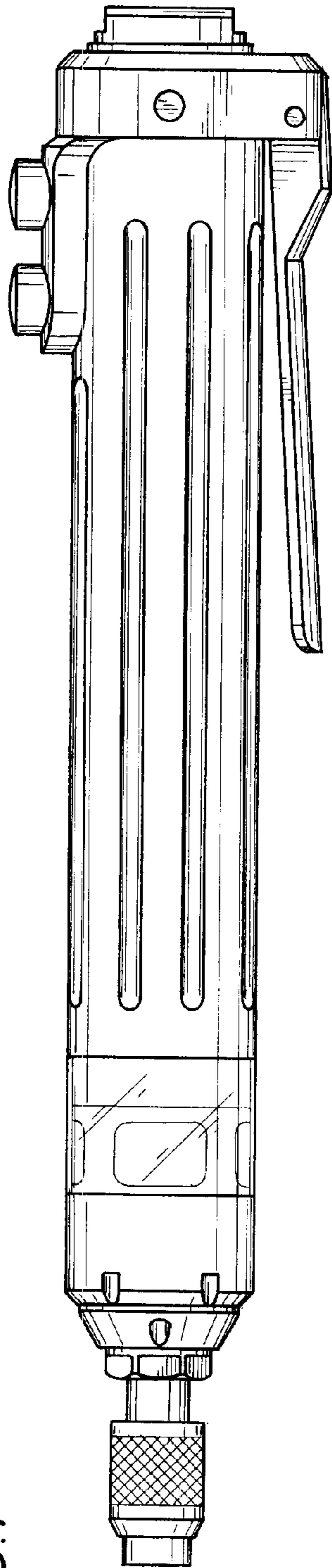


FIG. 1

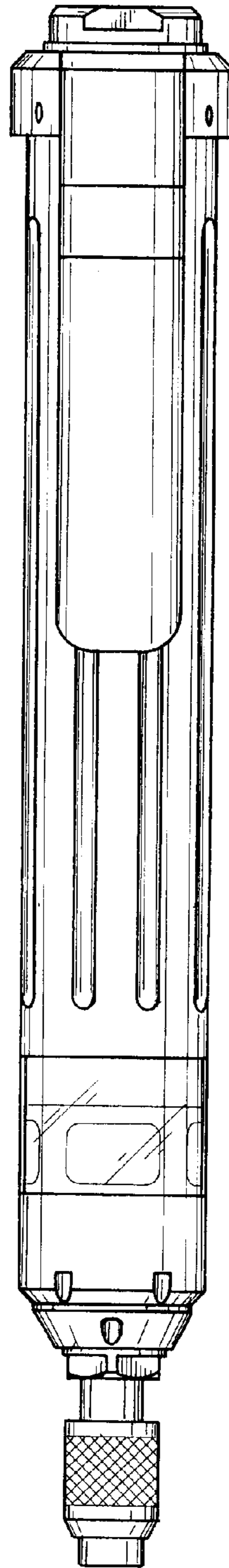


FIG. 2

FIG. 3

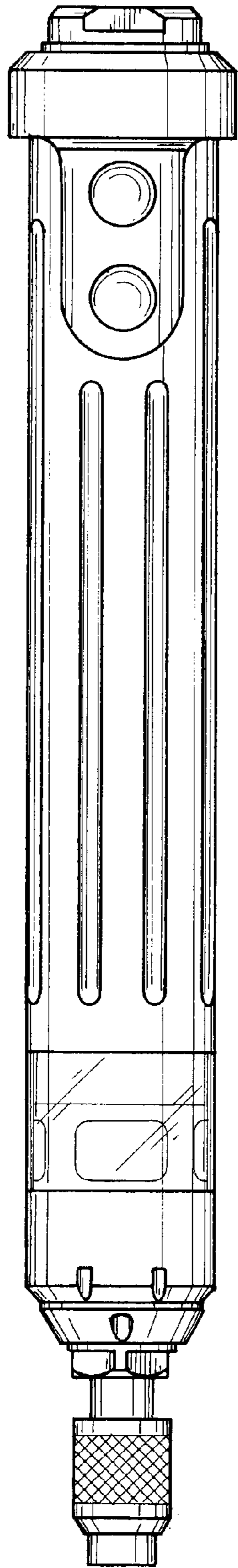


FIG. 4

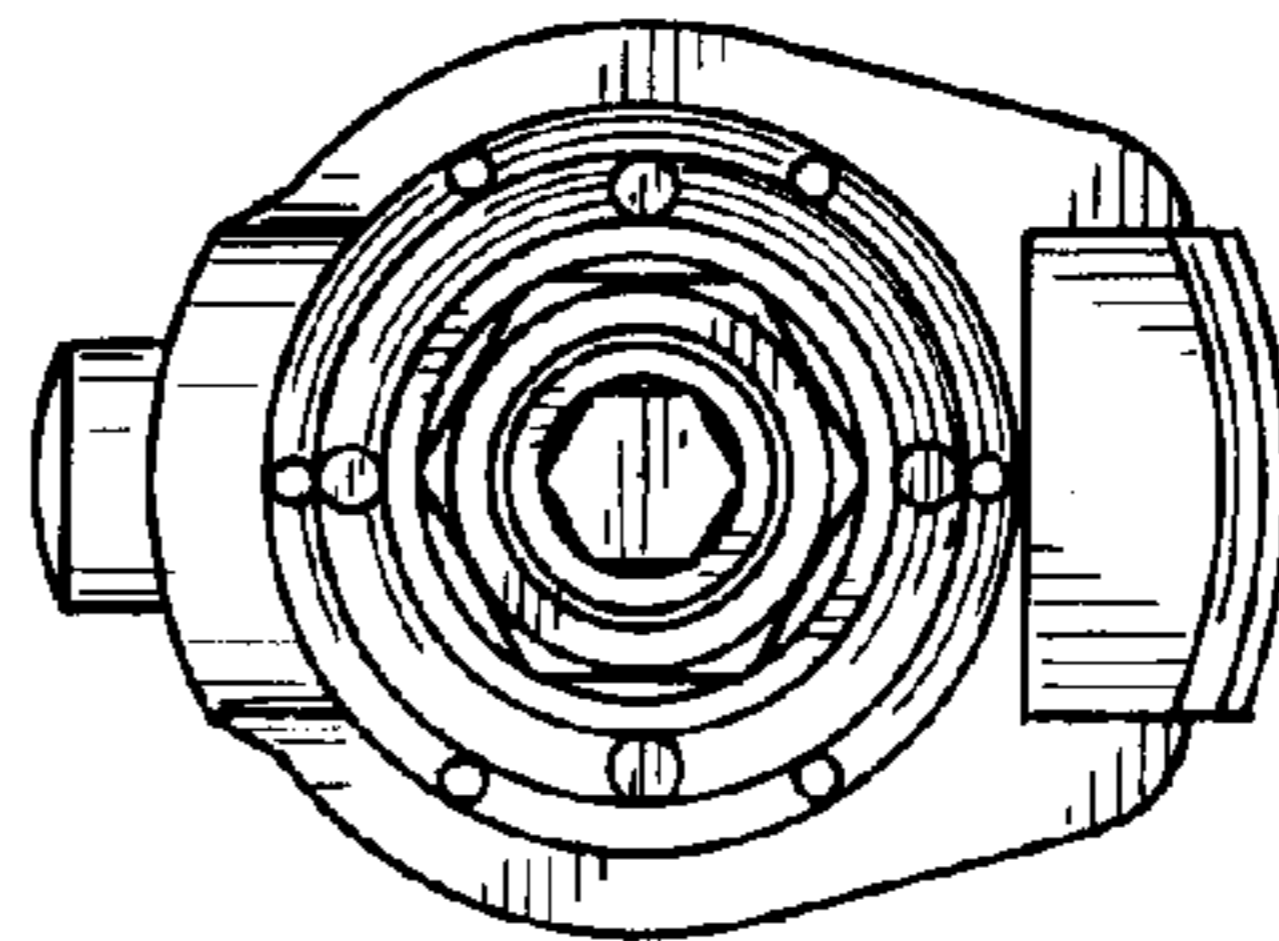


FIG. 5

