



US00D534776S

(12) **United States Design Patent**
Hong

(10) **Patent No.:** **US D534,776 S**

(45) **Date of Patent:** **** Jan. 9, 2007**

(54) **STAPLER**

(76) **Inventor:** **Liye Hong**, No. 39, Da Gang Three
Road Economical Technical
Development Area, Ningbo, Zhe Jiang
Province (CN), 315800

(**) **Term:** **14 Years**

(21) **Appl. No.:** **29/231,453**

(22) **Filed:** **Jun. 3, 2005**

(30) **Foreign Application Priority Data**

Dec. 11, 2004 (CN) 200430120783

(51) **LOC (8) Cl.** **19-02**

(52) **U.S. Cl.** **D8/50**

(58) **Field of Classification Search** D8/49,
D8/50, 61; D19/72; 227/120, 127, 128, 131,
227/132, 134, 156

See application file for complete search history.

(56) **References Cited**

U.S. PATENT DOCUMENTS

D248,920 S * 8/1978 Jalk et al. D8/50
4,778,096 A * 10/1988 Ebihara 227/155
D302,377 S * 7/1989 Ancona et al. D8/50
D306,684 S * 3/1990 Chan D8/50

D333,957 S * 3/1993 Chan D8/50
D350,677 S * 9/1994 Khan et al. D8/50
D350,679 S * 9/1994 Khan et al. D8/50
D431,167 S * 9/2000 Brown D8/50
D503,877 S * 4/2005 Adams et al. D8/50
D506,659 S * 6/2005 Bodum D8/50

* cited by examiner

Primary Examiner—Caron D. Veynar

Assistant Examiner—Austin Murphy

(74) *Attorney, Agent, or Firm*—David W. Carstens;
Carstens & Cahoon, LLP

(57) **CLAIM**

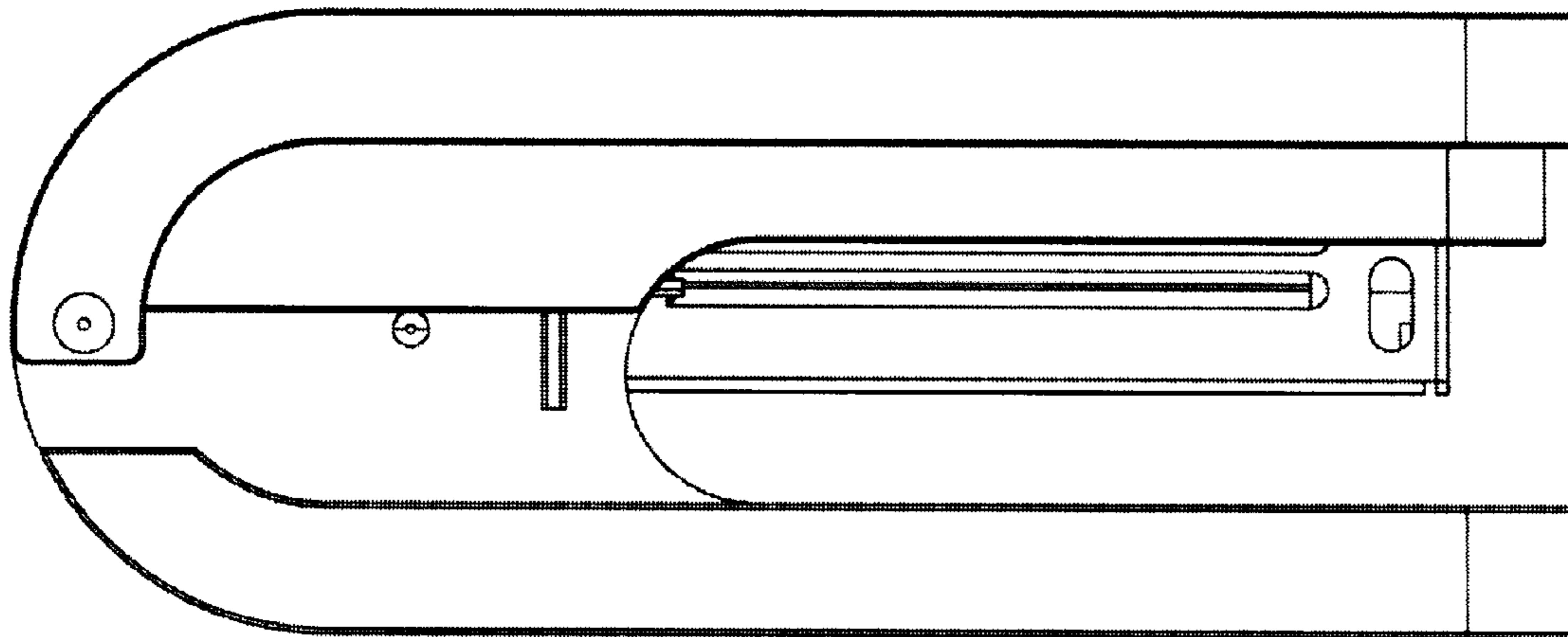
The ornamental design for a stapler, as shown and described.

DESCRIPTION

FIG. 1 is a front view of the stapler of the present invention;
FIG. 2 is a rear view thereof;
FIG. 3 is a right side view thereof;
FIG. 4 is a left side view thereof;
FIG. 5 is a bottom view thereof;
FIG. 6 is a top view thereof; and,
FIG. 7 is a perspective view thereof.

The broken lines shown in the drawings form no part of the
claimed design.

1 Claim, 4 Drawing Sheets



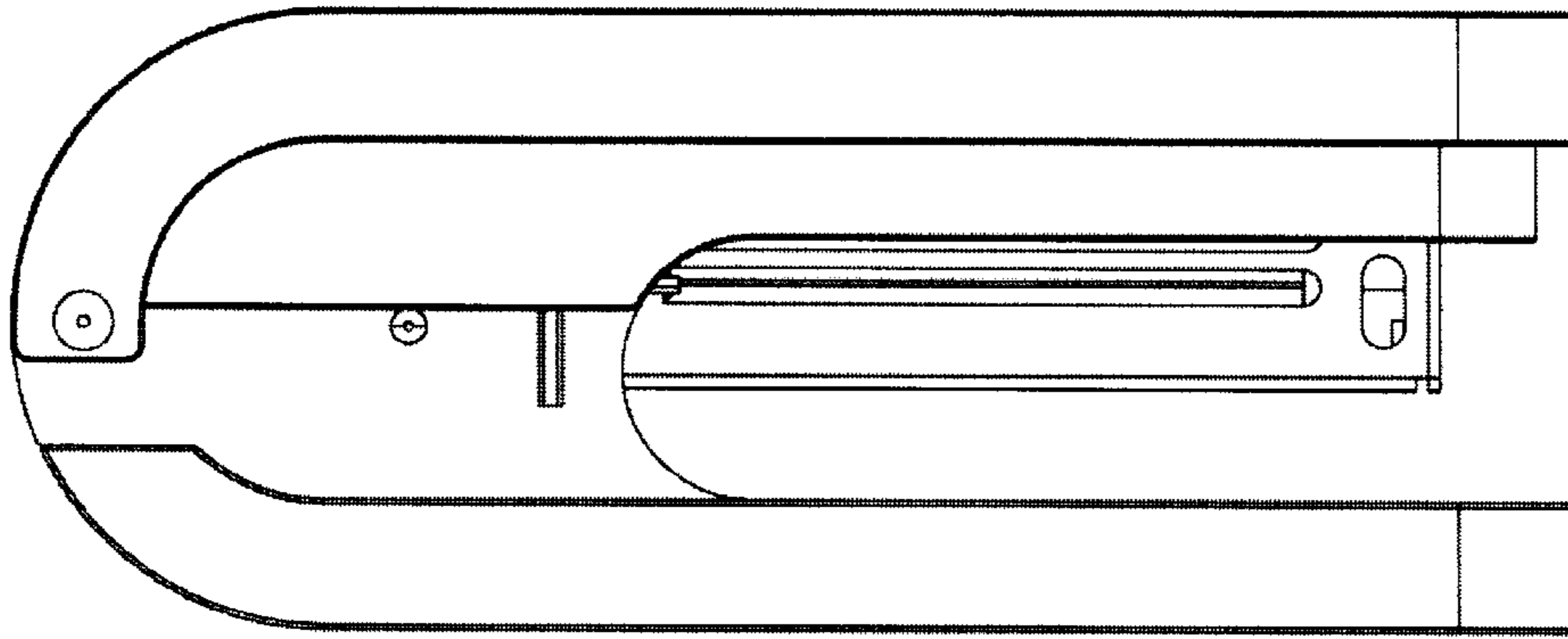


Fig. 1

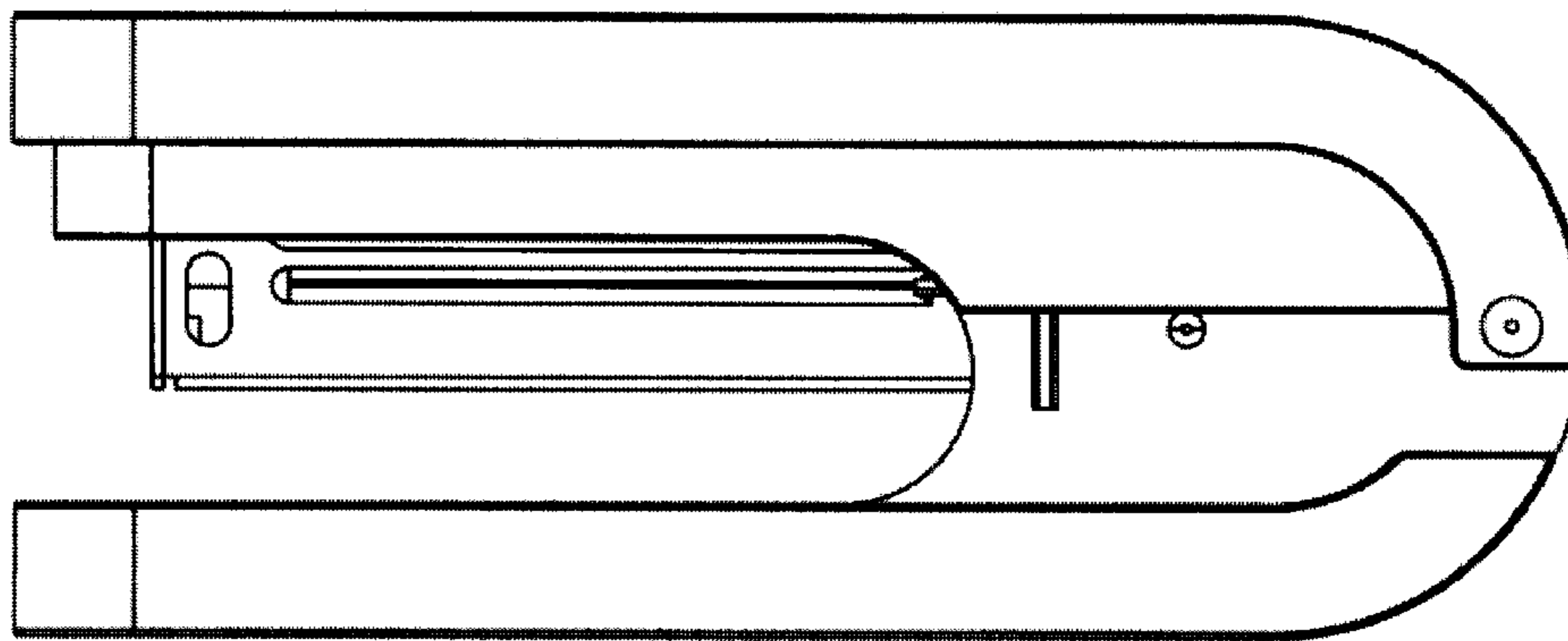


Fig. 2

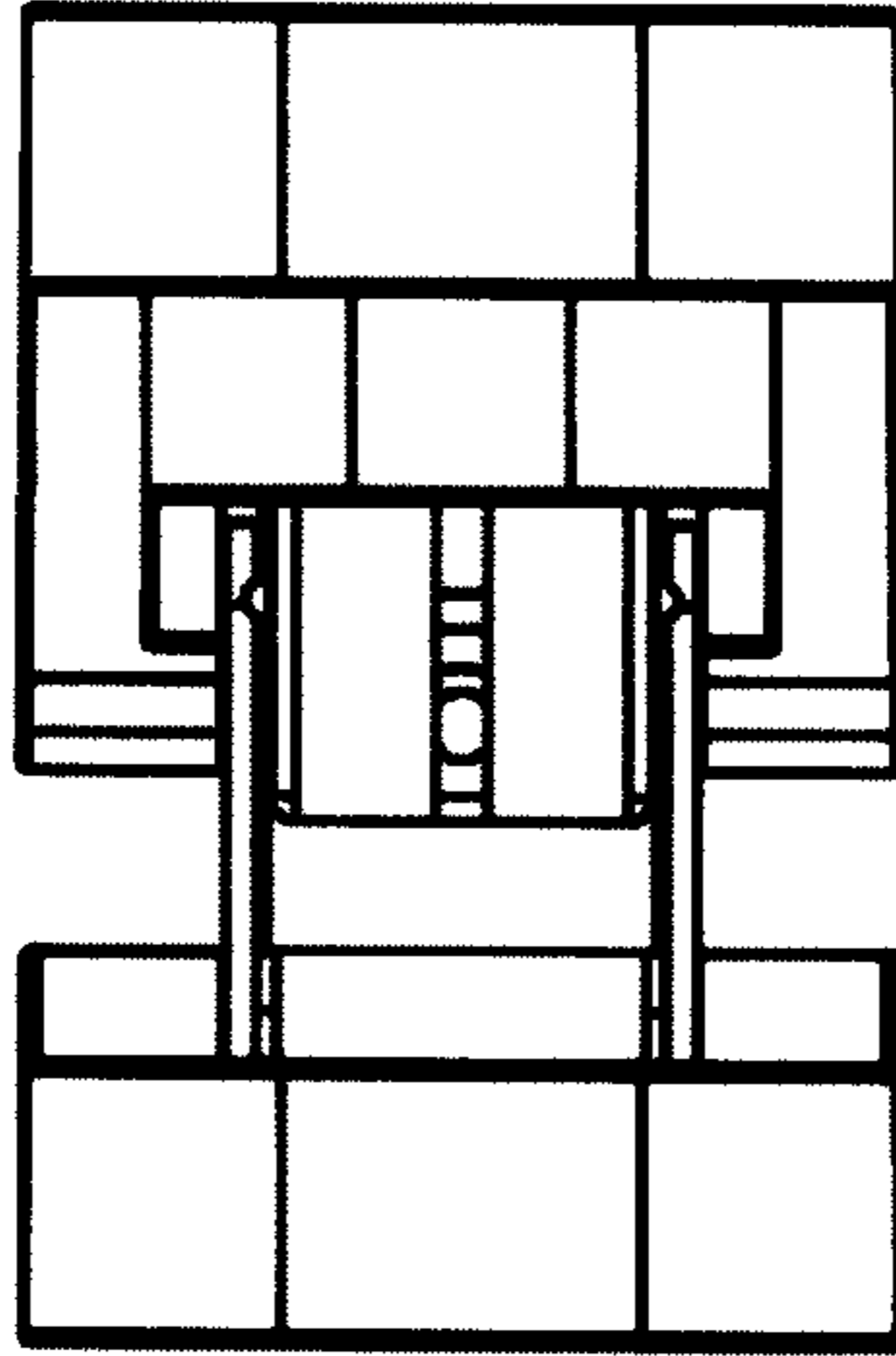


Fig. 3

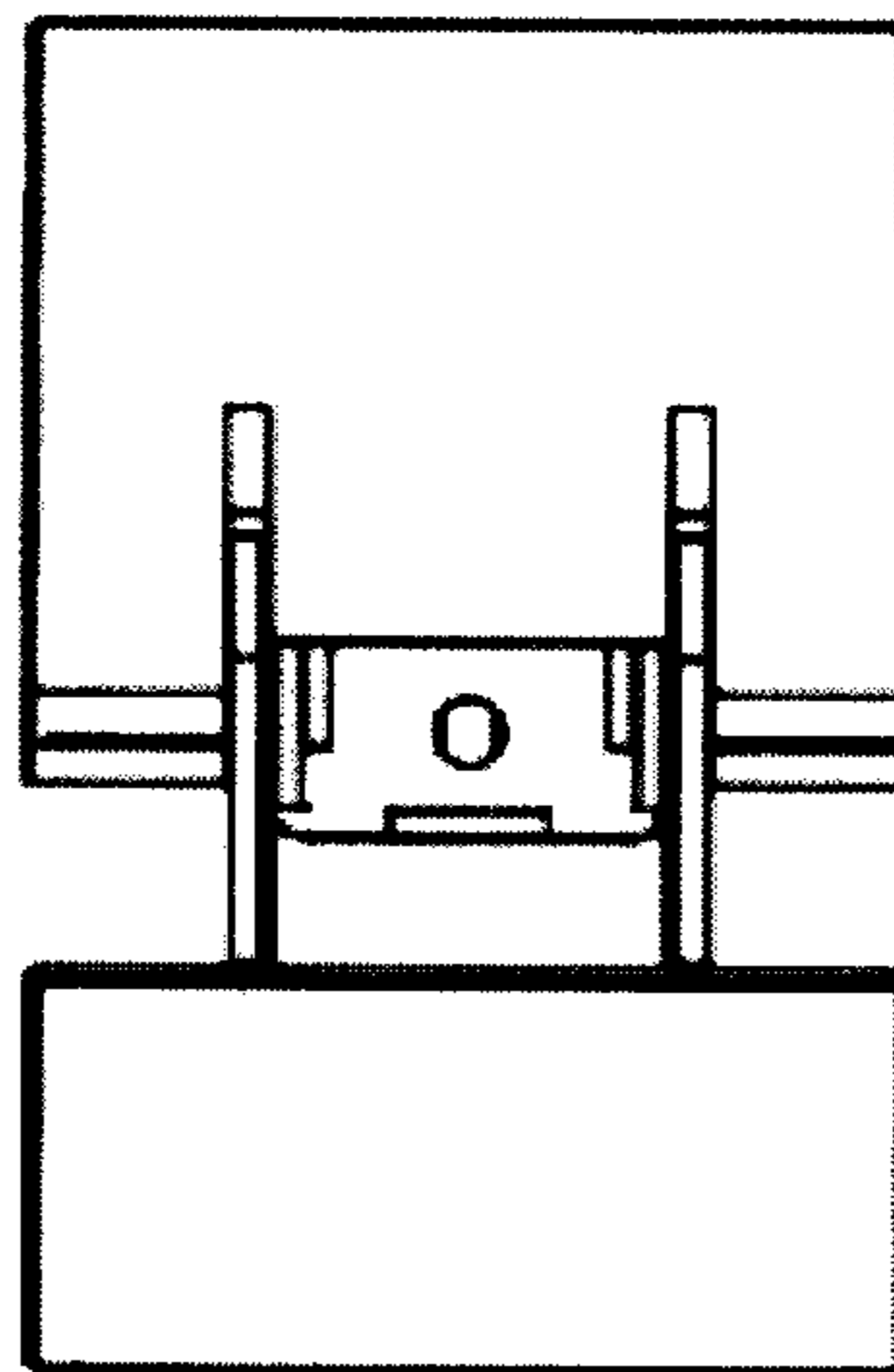


Fig. 4

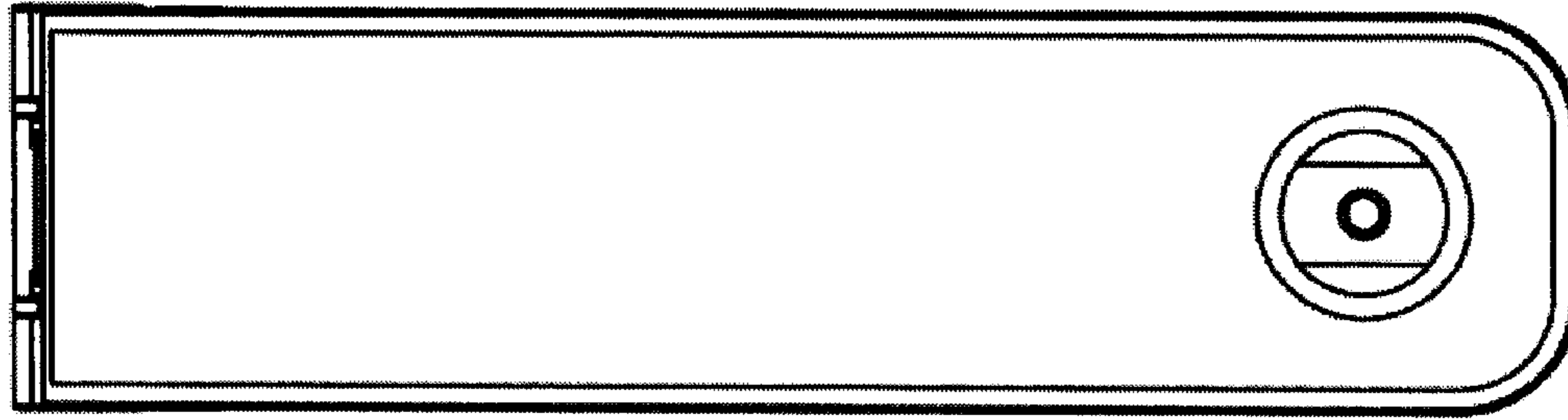


Fig. 5

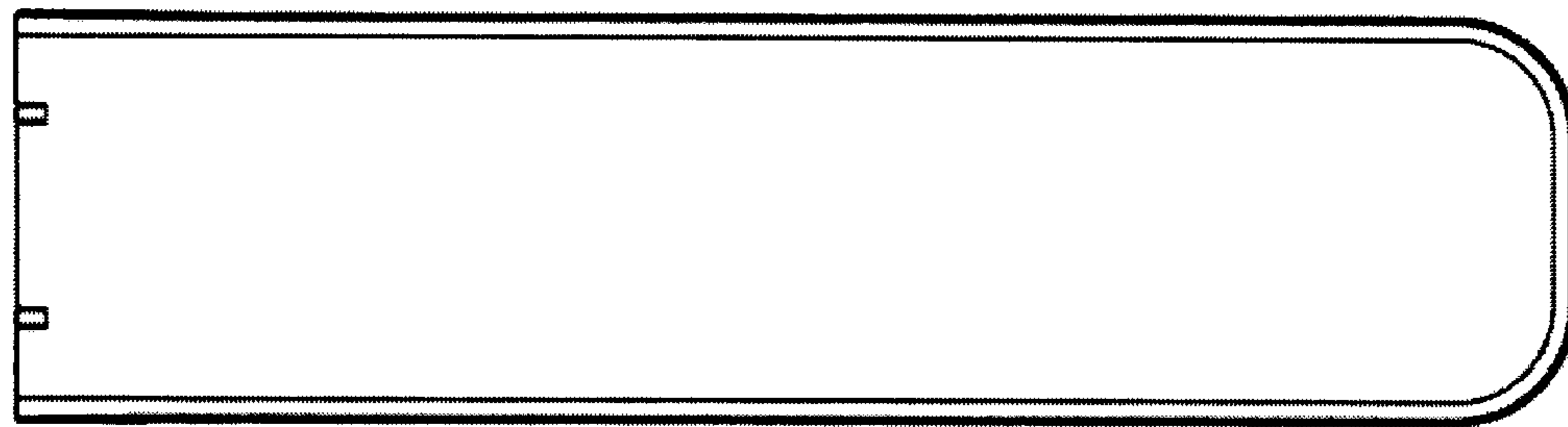


Fig. 6

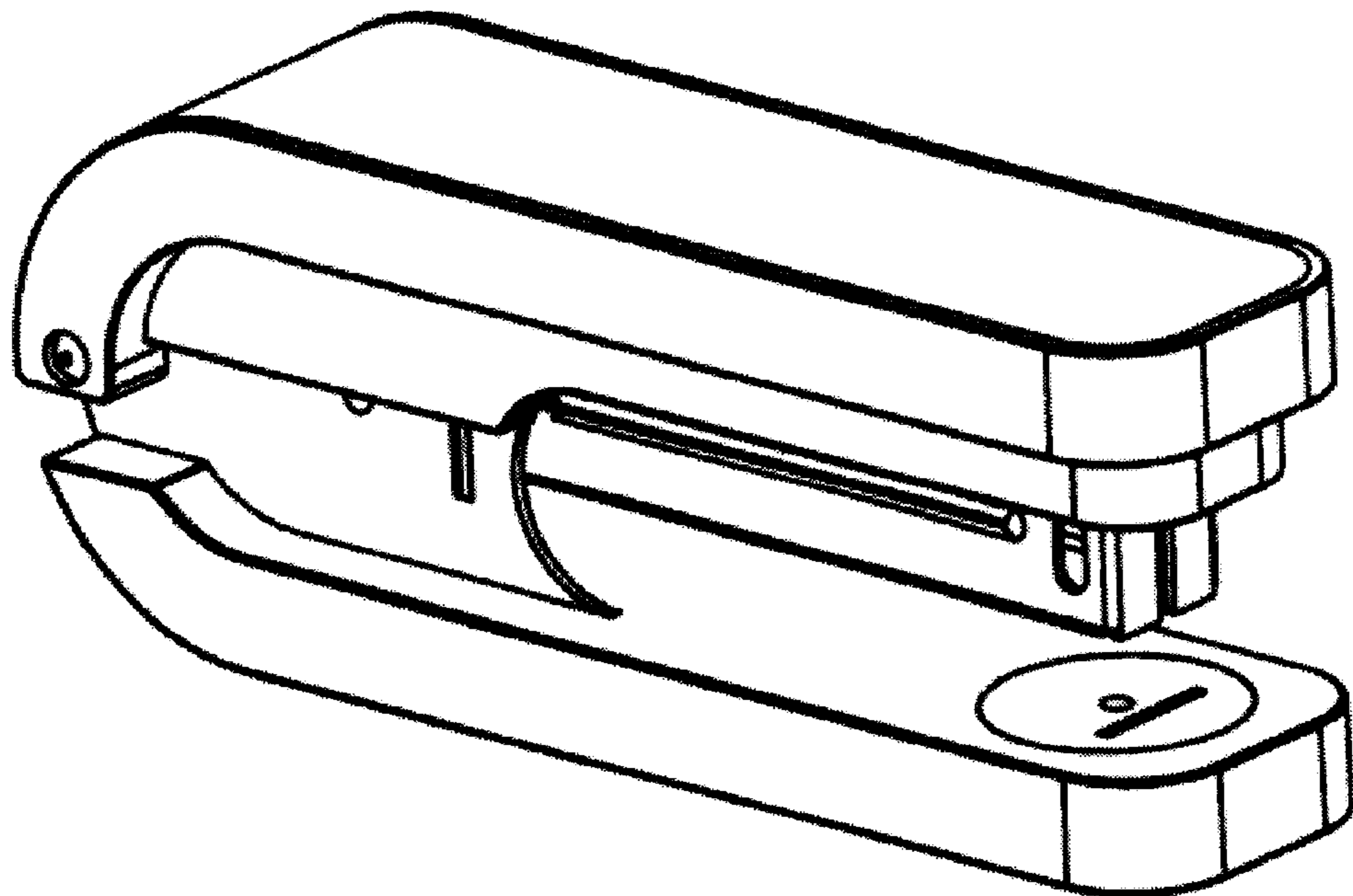


Fig. 7