

US00D534774S

(12) **United States Design Patent**
McKinney

(10) **Patent No.:** **US D534,774 S**

(45) **Date of Patent:** **** Jan. 9, 2007**

(54) **CAN OPENER**

D396,788 S * 8/1998 Arita et al. D8/41

(75) Inventor: **Larry Todd McKinney**, Huntersville,
NC (US)

* cited by examiner

(73) Assignee: **Applica Consumer Products, Inc.**,
Miramar, FL (US)

Primary Examiner—Robert M. Spear
Assistant Examiner—Garth Rademaker

(74) *Attorney, Agent, or Firm*—Baker Botts L.L.P.

(**) Term: **14 Years**

(57) **CLAIM**

I claim the ornamental design for a can opener, as shown and described.

(21) Appl. No.: **29/244,848**

(22) Filed: **Dec. 14, 2005**

DESCRIPTION

(51) **LOC (8) Cl.** **07-99**

FIG. 1 is a perspective view taken from the front, top, and right side of a can opener showing a first embodiment of my new design;

(52) **U.S. Cl.** **D8/36**

FIG. 2 is a front elevation view thereof;

(58) **Field of Classification Search** D8/16,

FIG. 3 is a right elevation view thereof;

D8/18, 19, 33–43, 88, 98, 105; D7/372, 373,

FIG. 4 is a rear elevation view thereof;

D7/381, 386, 665, 666, 669, 680; D27/142;

FIG. 5 is a left side elevation view thereof;

7/113, 151–156; 30/1.5, 113.1, 113.2, 113.3,

FIG. 6 is a top plan view thereof;

30/400–450; 81/3.07, 3.08, 3.09, 3.2, 3.27,

FIG. 7 is a bottom plan view thereof;

81/3.35, 3.4, 3.45, 3.48, 3.49, 3.55, 3.57

FIG. 8 is a perspective view taken from the front, top, and right side of a can opener showing a second embodiment of my new design;

See application file for complete search history.

FIG. 9 is a front elevation view thereof;

(56) **References Cited**

U.S. PATENT DOCUMENTS

D185,166 S * 5/1959 Daher D28/50

FIG. 10 is a right side elevation view thereof;

D192,289 S * 2/1962 La Forte D8/36

FIG. 11 is a rear elevation view thereof;

3,121,285 A * 2/1964 Freeman et al. 30/401

FIG. 12 is a left side elevation view thereof;

3,222,780 A * 12/1965 Freeman 30/410

FIG. 13 is a top plan view thereof; and,

4,663,849 A * 5/1987 Nickelson 30/416

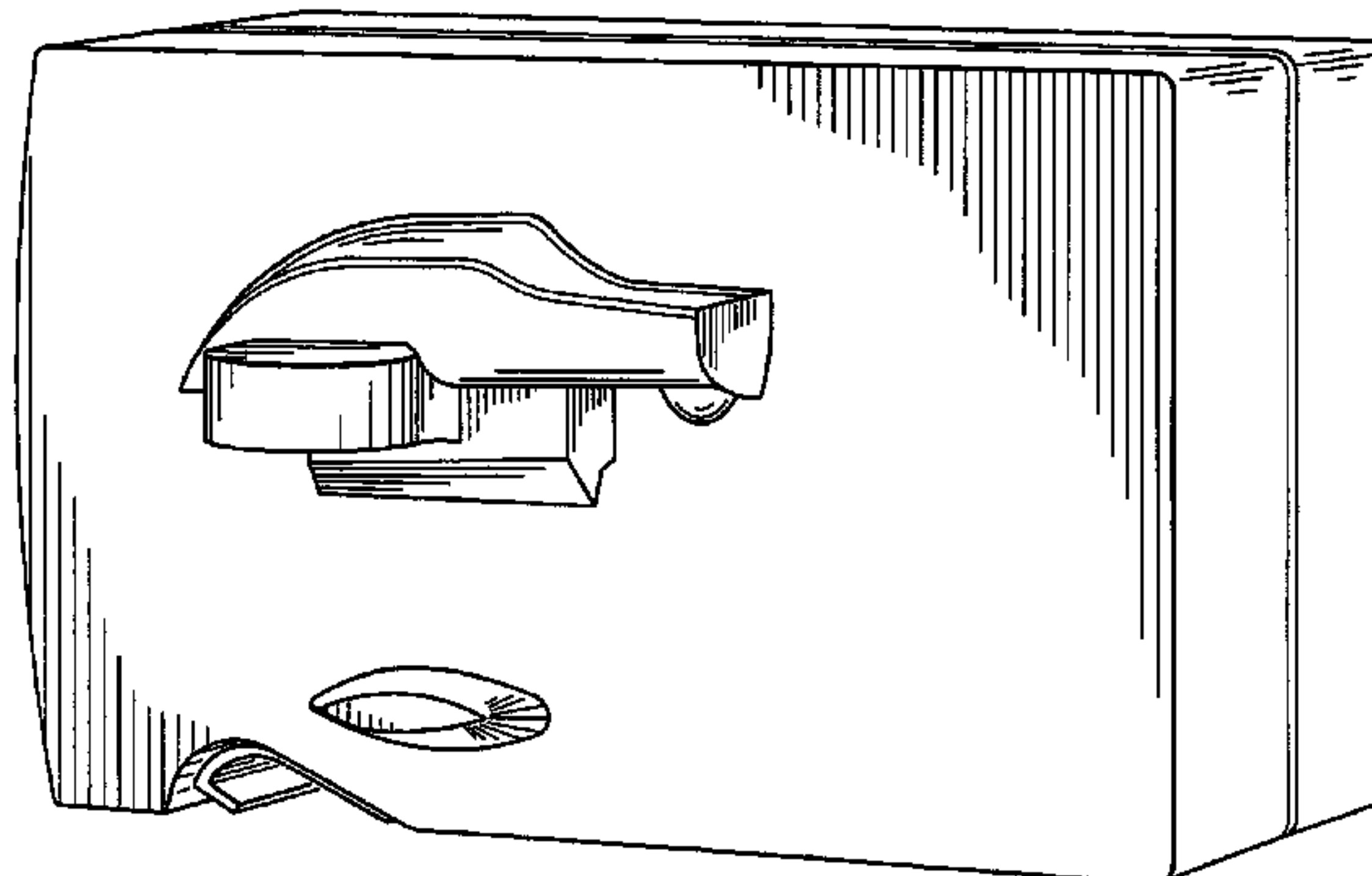
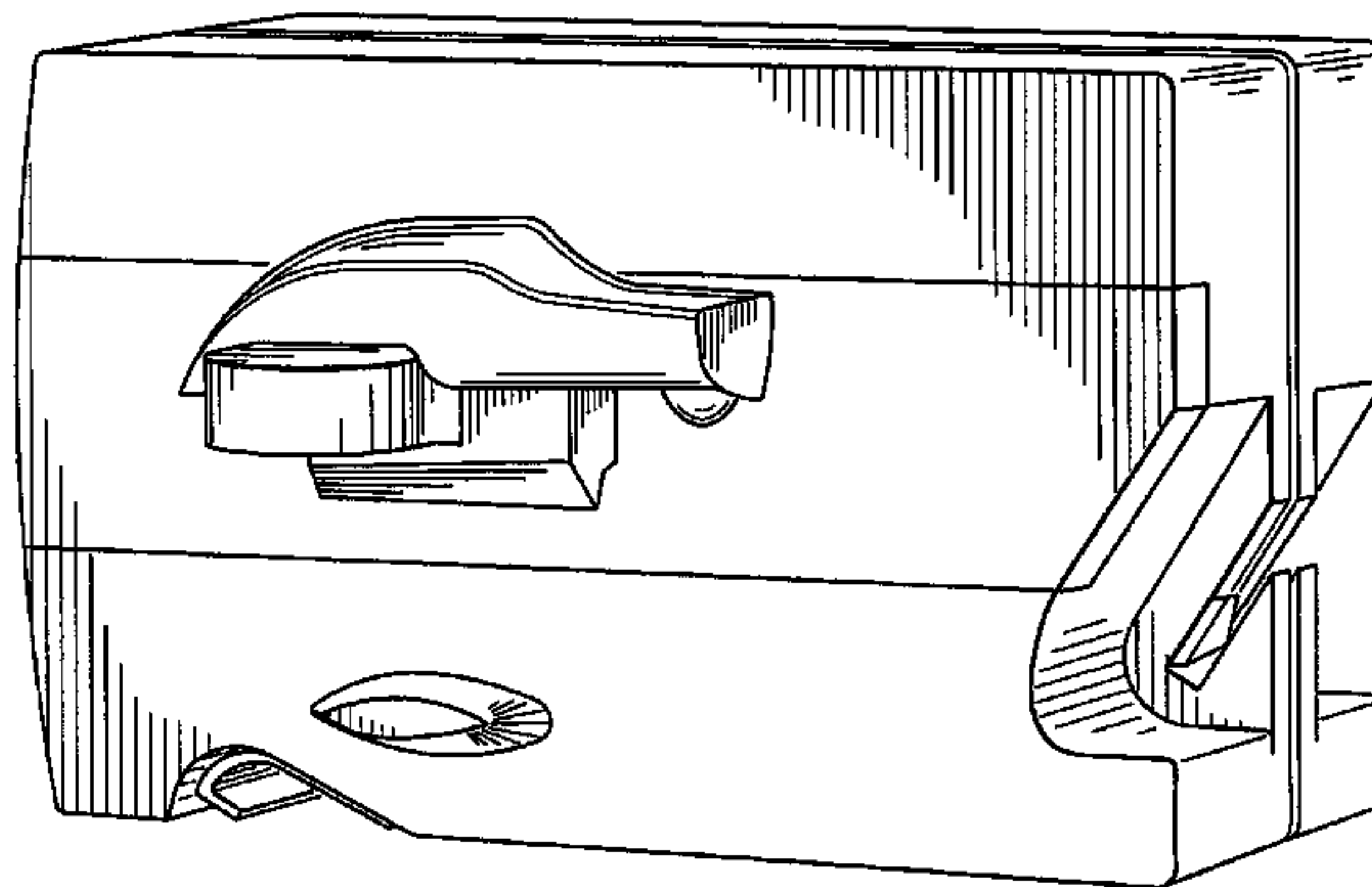
FIG. 14 is a bottom plan view thereof.

D362,794 S * 10/1995 Carbone et al. D8/35

D387,641 S * 12/1997 Naft et al. D8/35

D387,644 S * 12/1997 Naft et al. D8/36

1 Claim, 8 Drawing Sheets



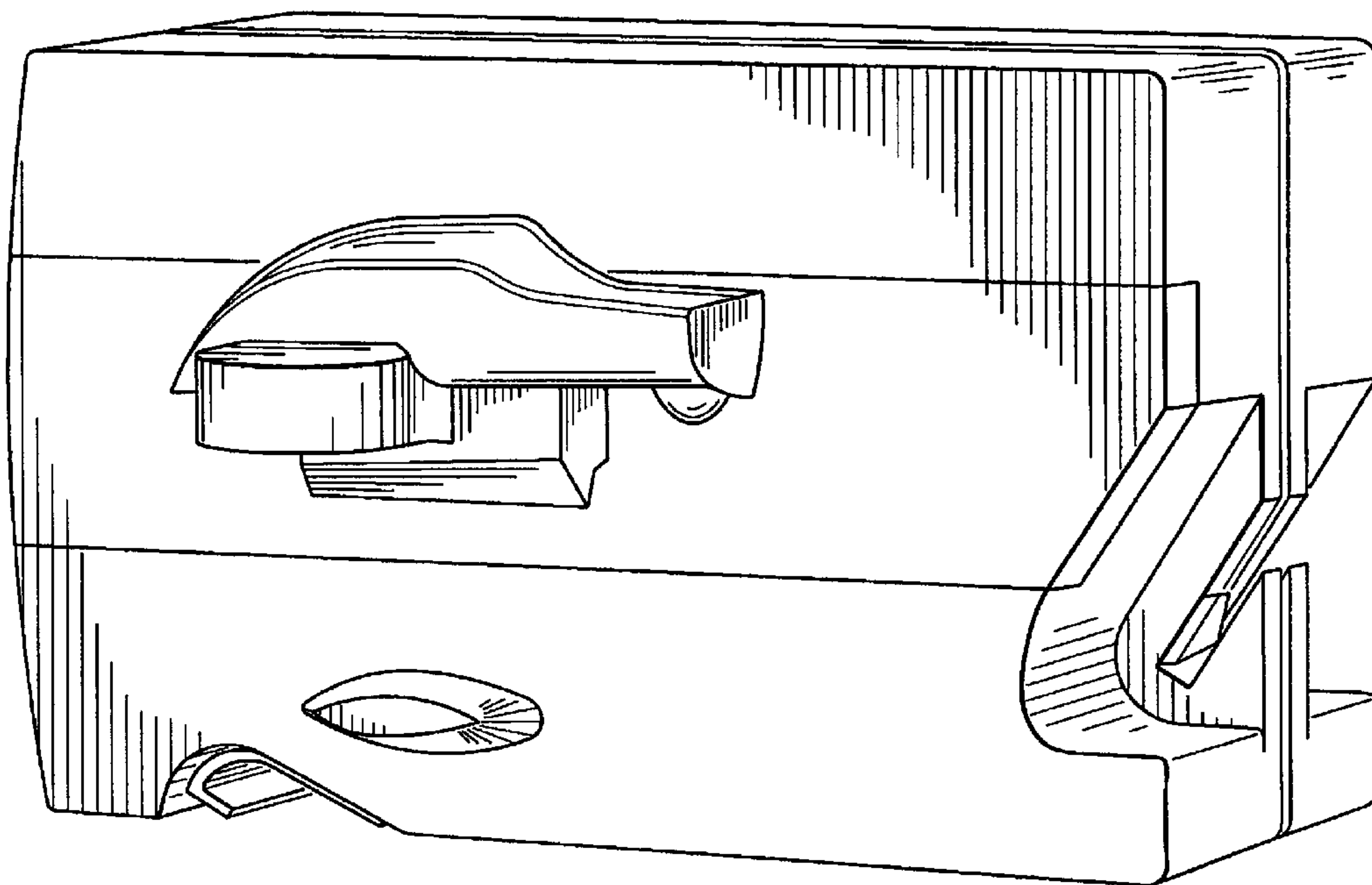


FIG. 1

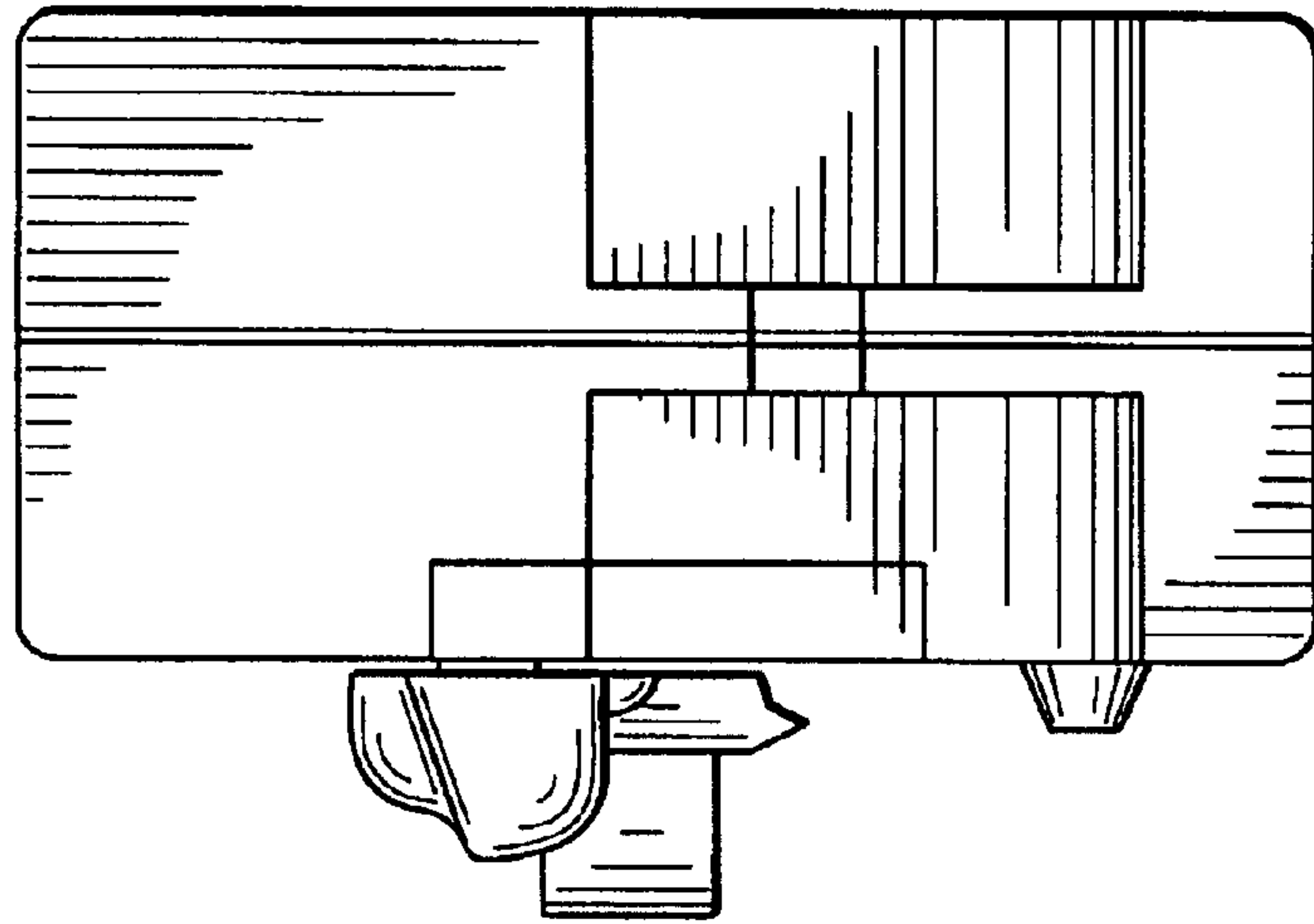


FIG. 3

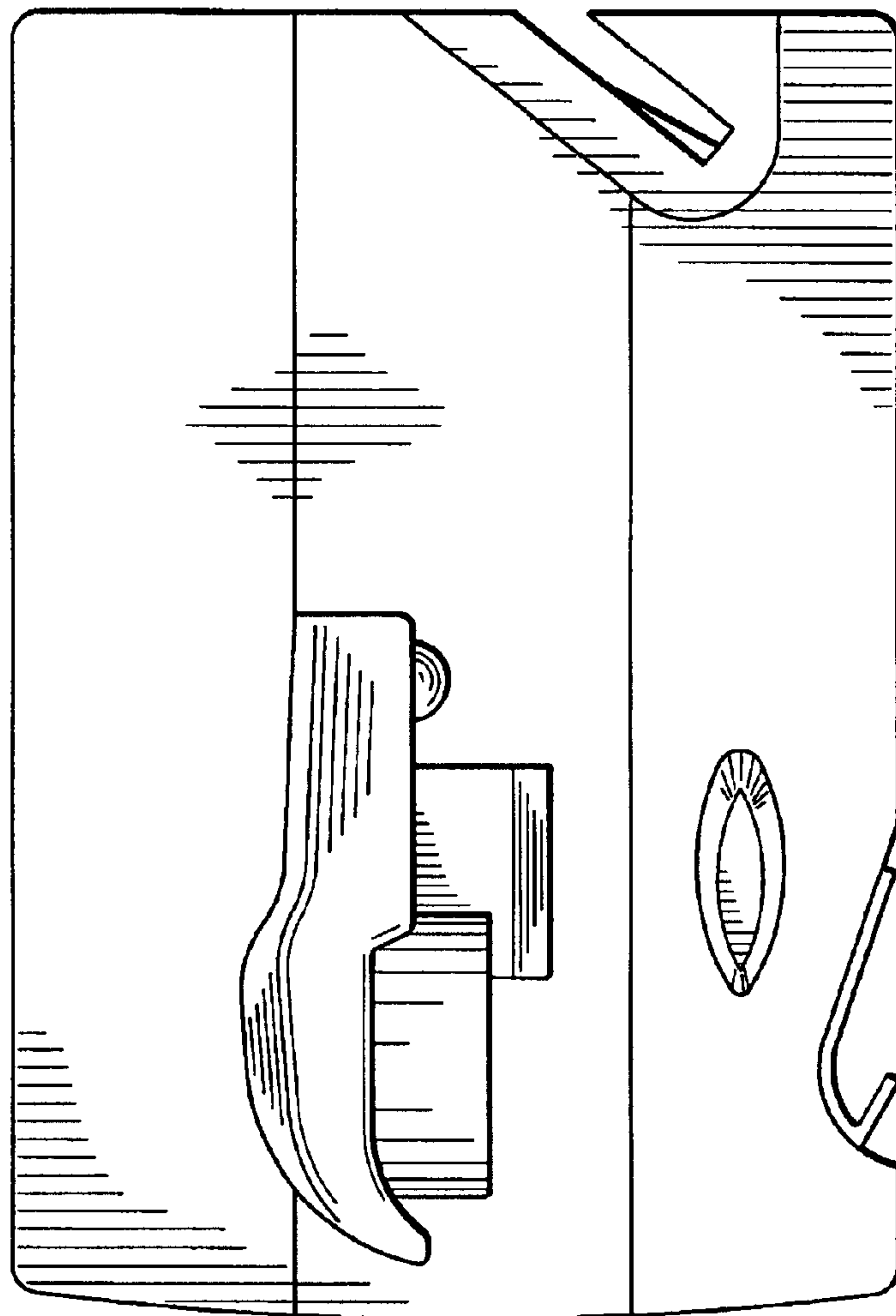


FIG. 2

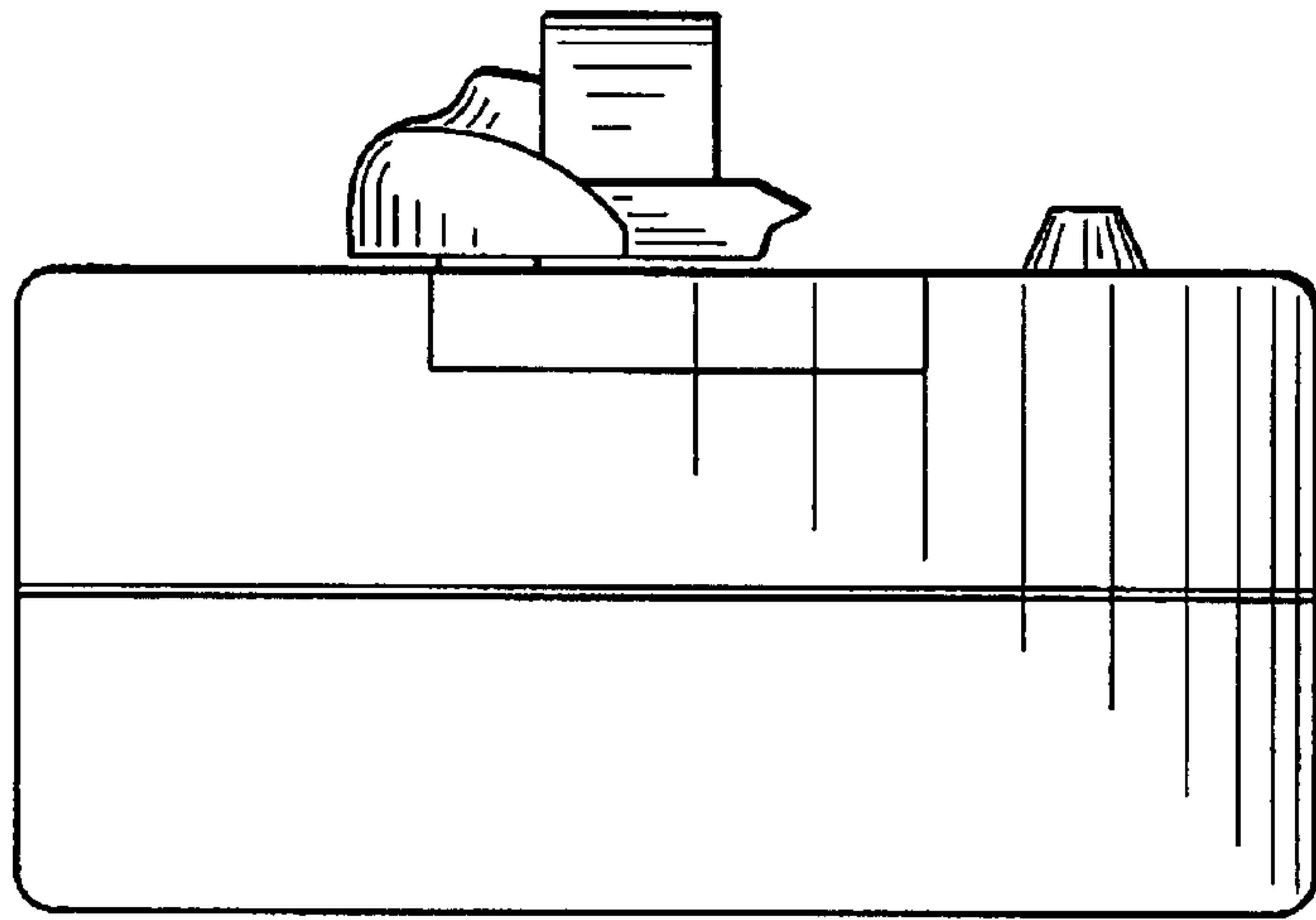


FIG. 5

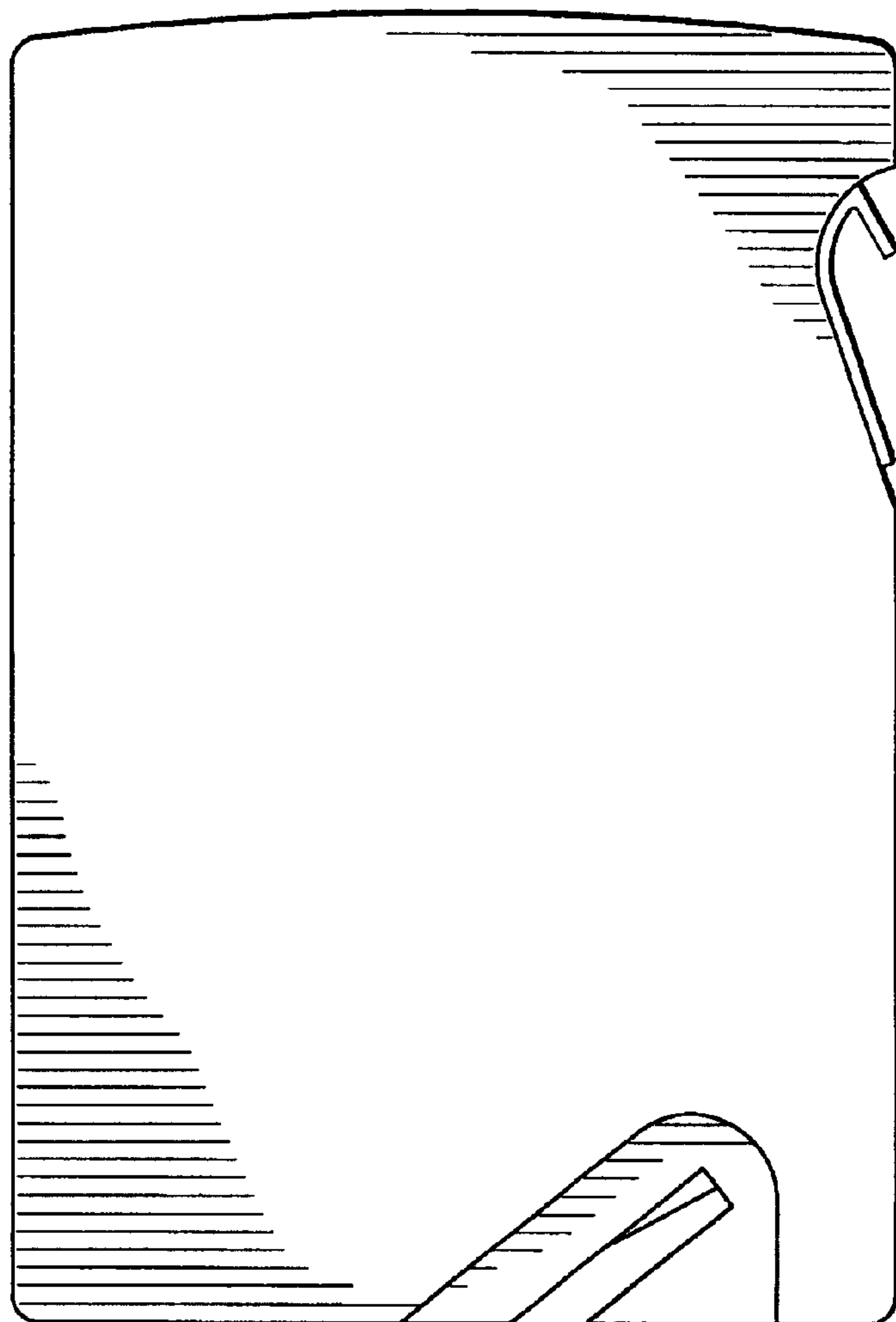


FIG. 4

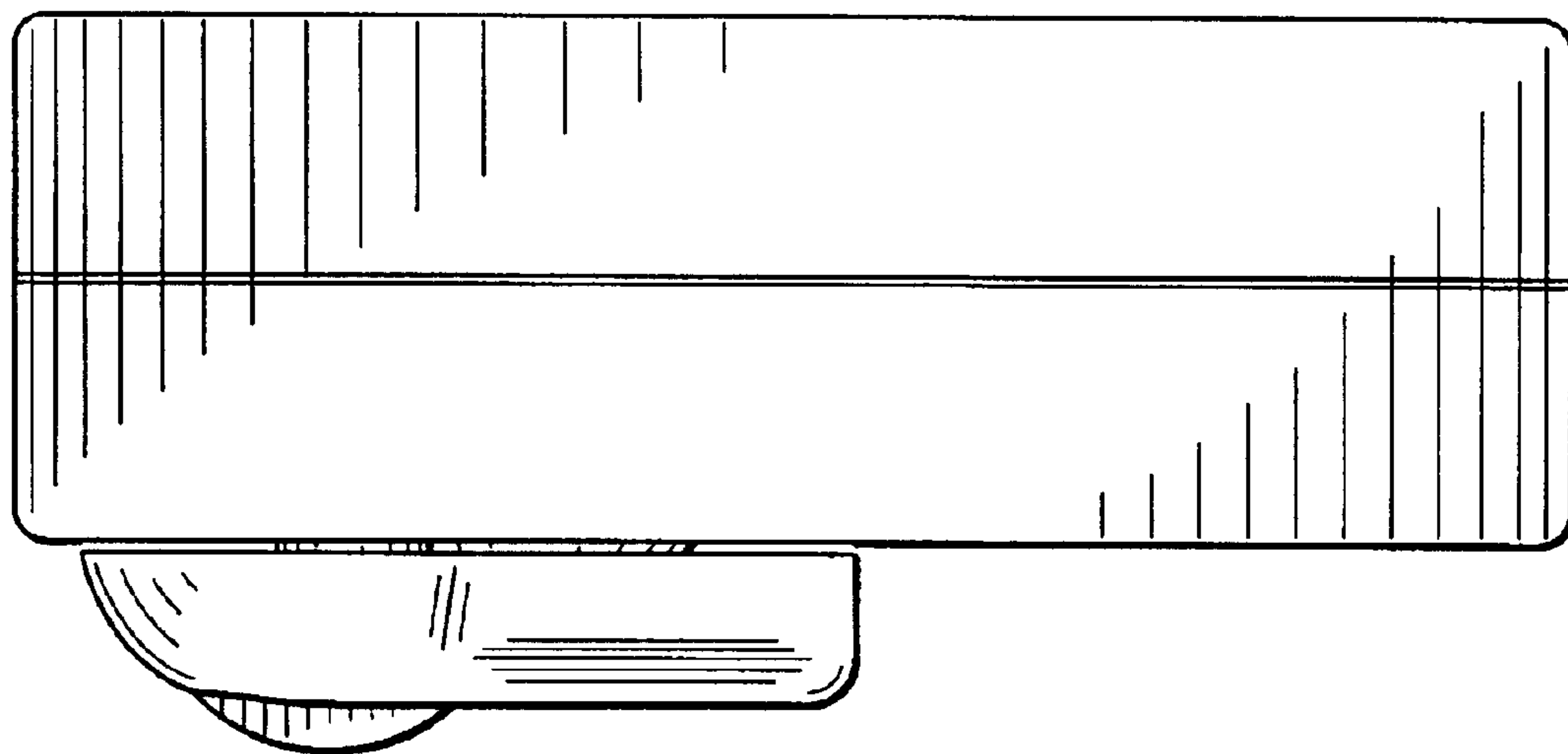


FIG. 6

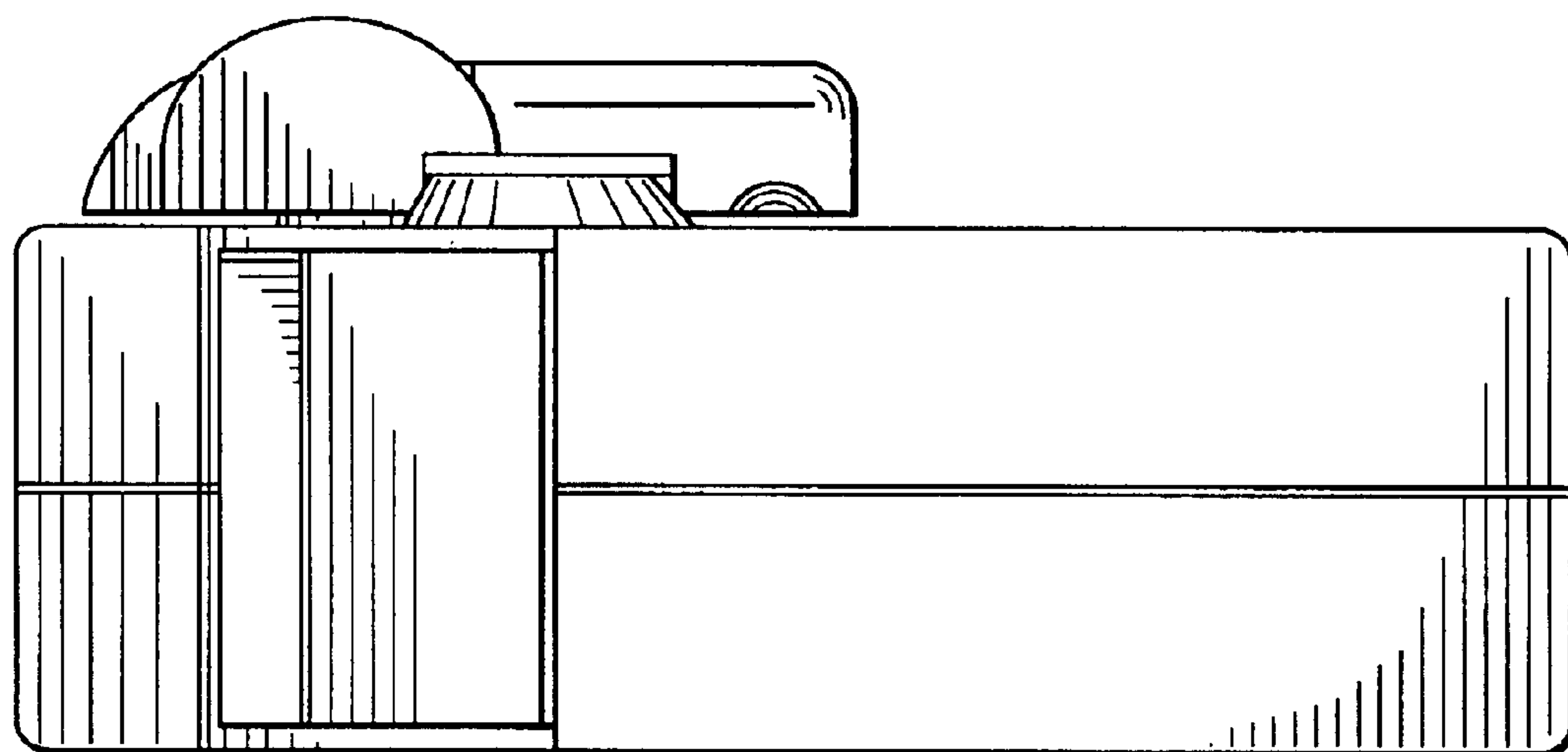


FIG. 7

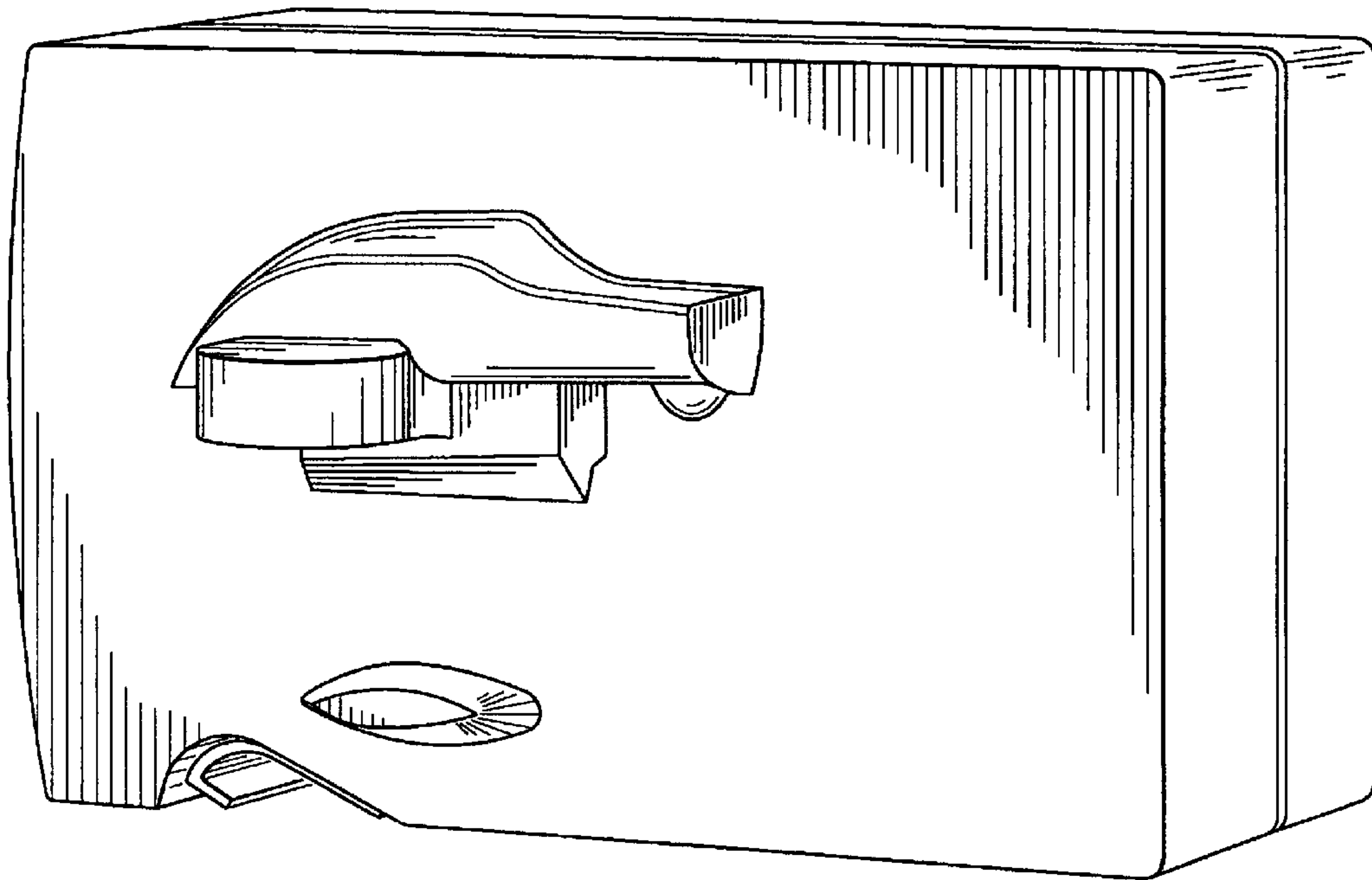


FIG. 8

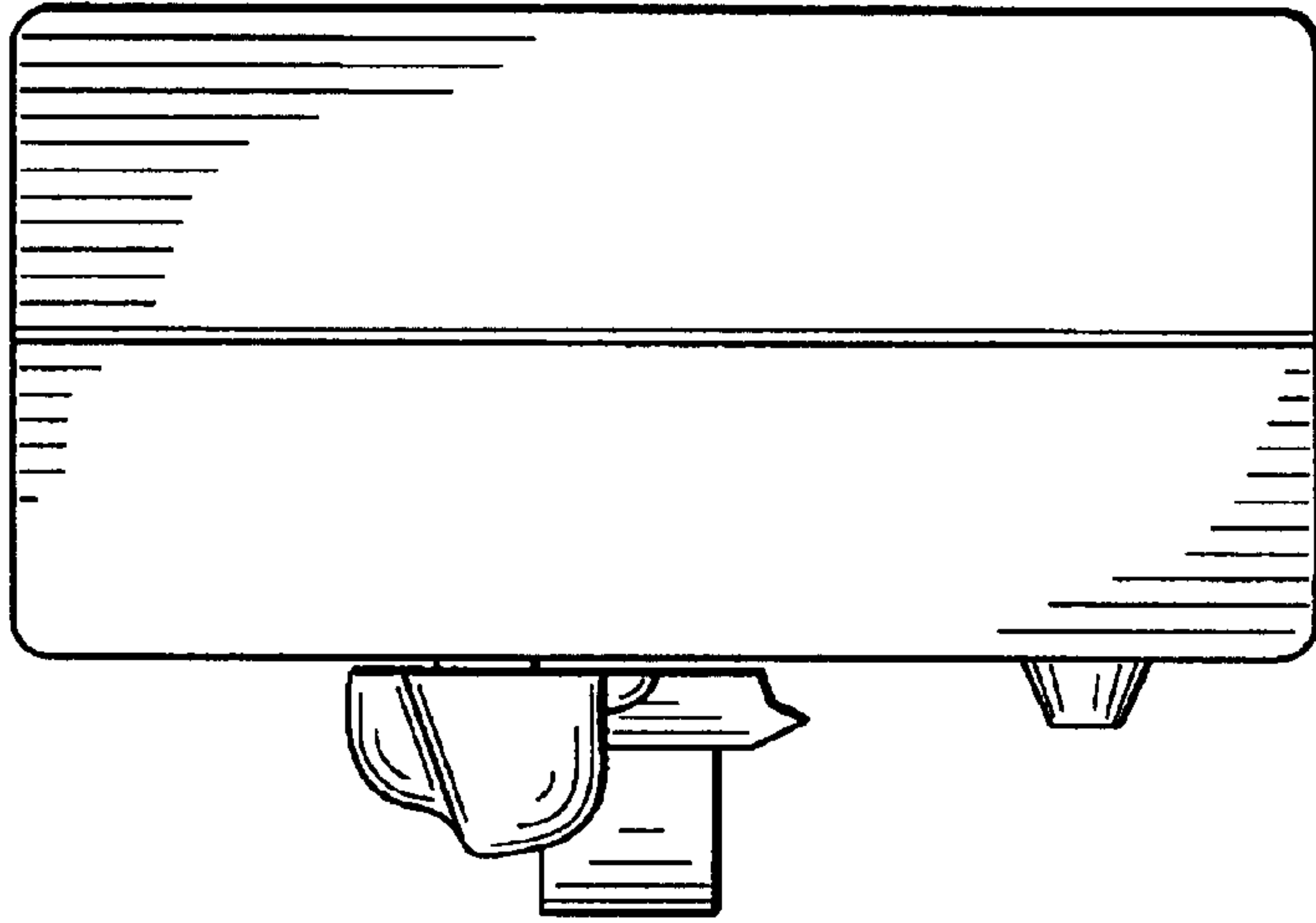


FIG. 10

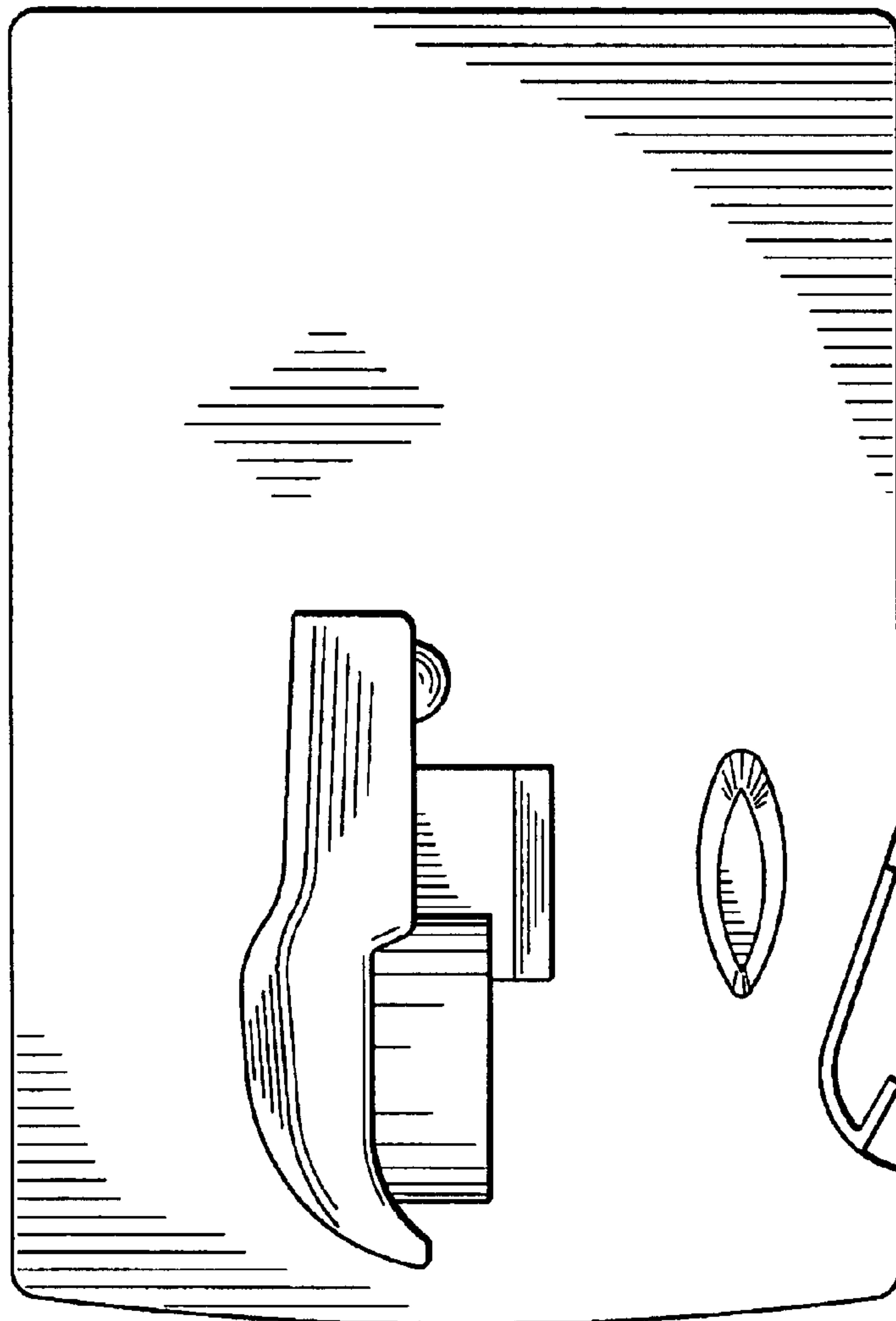


FIG. 9

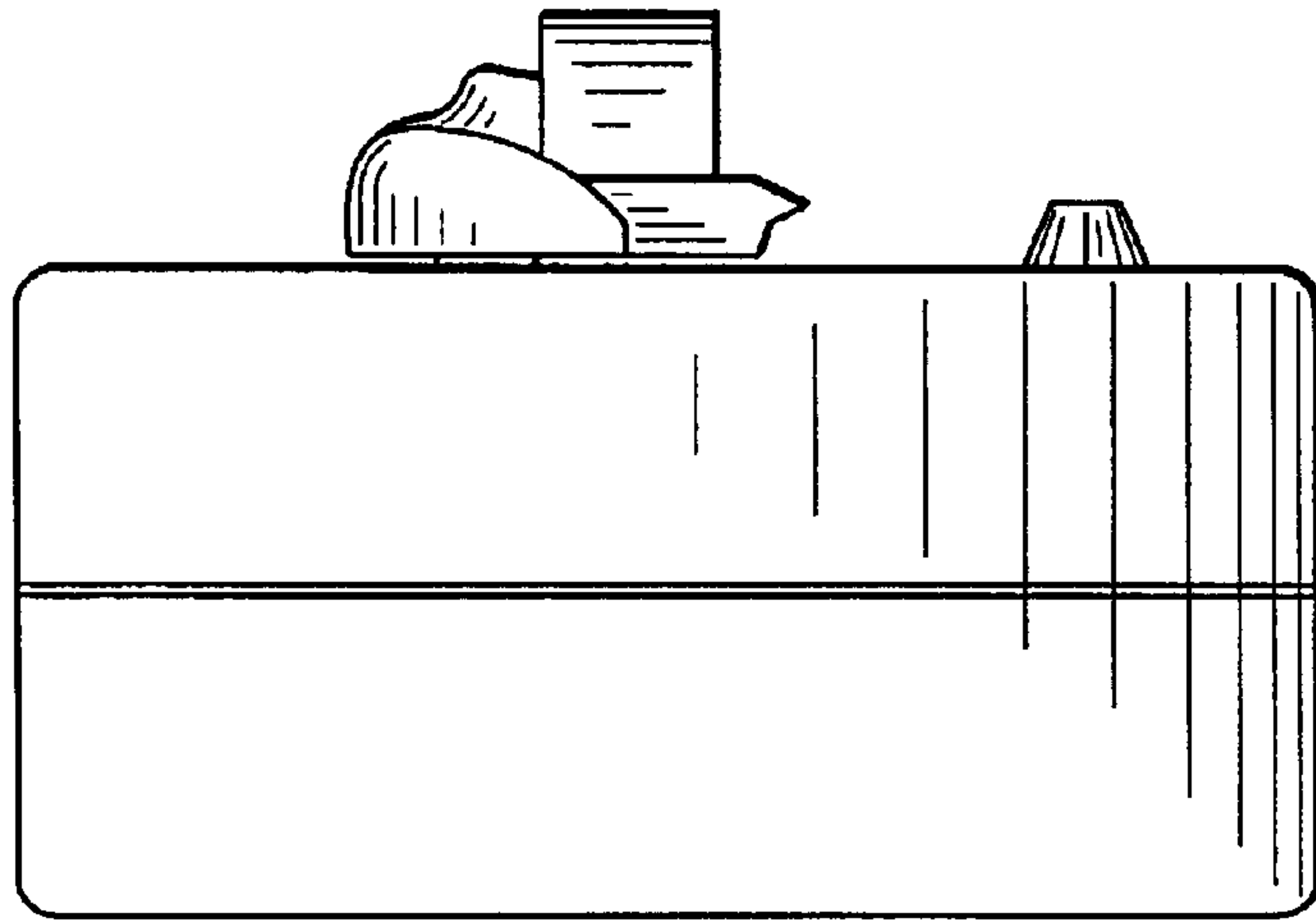


FIG. 12

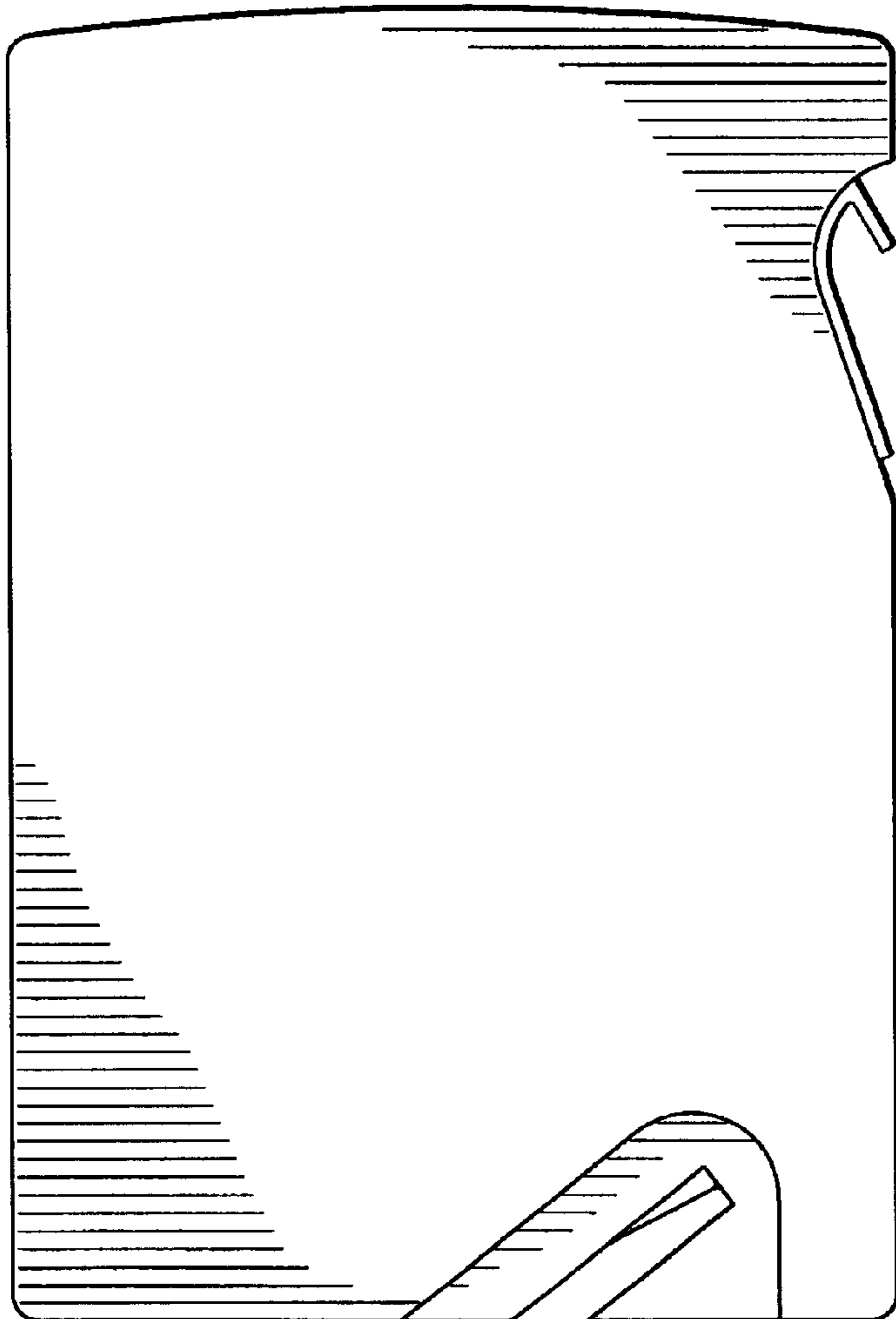


FIG. 11

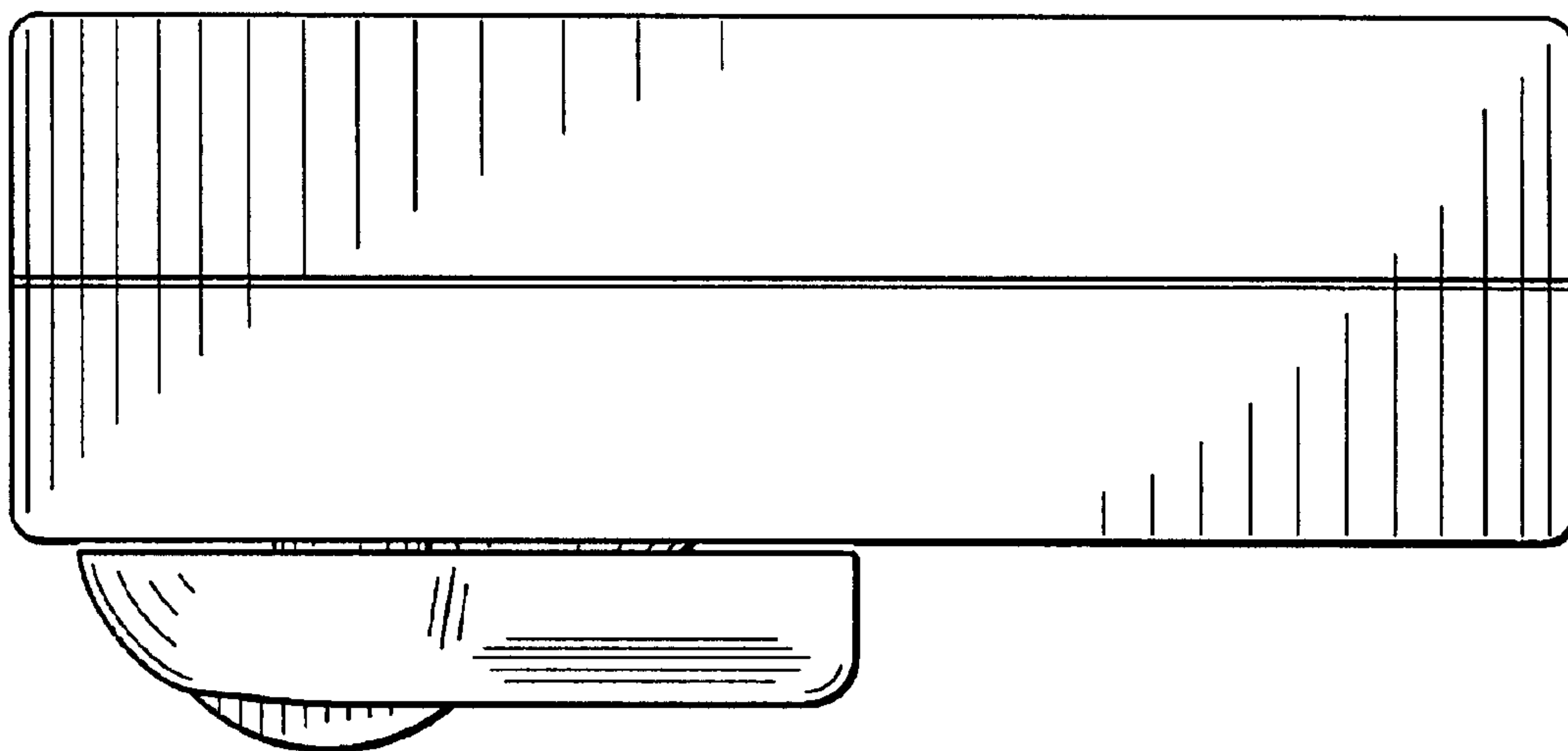


FIG. 13

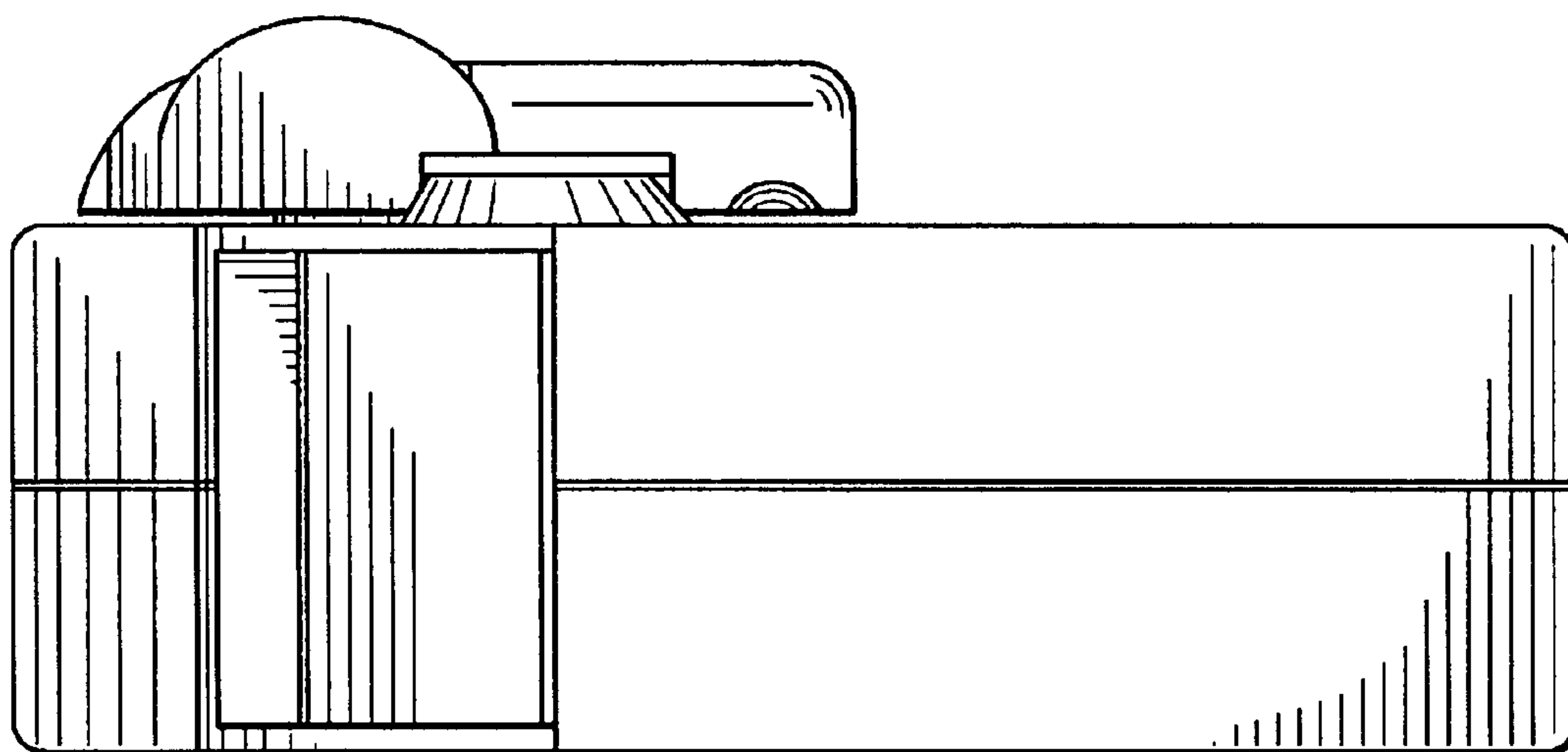


FIG. 14