



US00D534773S

(12) **United States Design Patent**  
**Tanaka**

(10) **Patent No.:** **US D534,773 S**

(45) **Date of Patent:** **\*\* Jan. 9, 2007**

(54) **HEAD FOR A CAULKING APPARATUS**

6,311,871 B1 \* 11/2001 Binder ..... 222/145.6  
6,889,872 B1 \* 5/2005 Herman et al. .... 222/82

(75) Inventor: **Yoji Tanaka**, Yokohama (JP)

\* cited by examiner

(73) Assignee: **Polymer Systems Co., Ltd.**, Kanagawa (JP)

*Primary Examiner*—Philip S. Hyder

(74) *Attorney, Agent, or Firm*—Osha Liang LLP

(\*\*) Term: **14 Years**

(57) **CLAIM**

(21) Appl. No.: **29/214,512**

What is claimed is the ornamental design for a head for a caulking apparatus, as shown and described.

(22) Filed: **Oct. 4, 2004**

**DESCRIPTION**

(51) **LOC (8) Cl.** ..... **08-05**

FIG. 1 shows a top plan view of the design according to the invention.

(52) **U.S. Cl.** ..... **D8/14.1**

FIG. 2 shows a front view of the design according to the invention.

(58) **Field of Classification Search** ..... D8/14,  
D8/14.1; 222/135, 459, 566, 569, 570, 137  
See application file for complete search history.

FIG. 3 shows a bottom plan view of the design according to the invention.

FIG. 4 shows a right side view of the design according to the invention.

(56) **References Cited**

FIG. 5 shows a left side view of the design according to the invention.

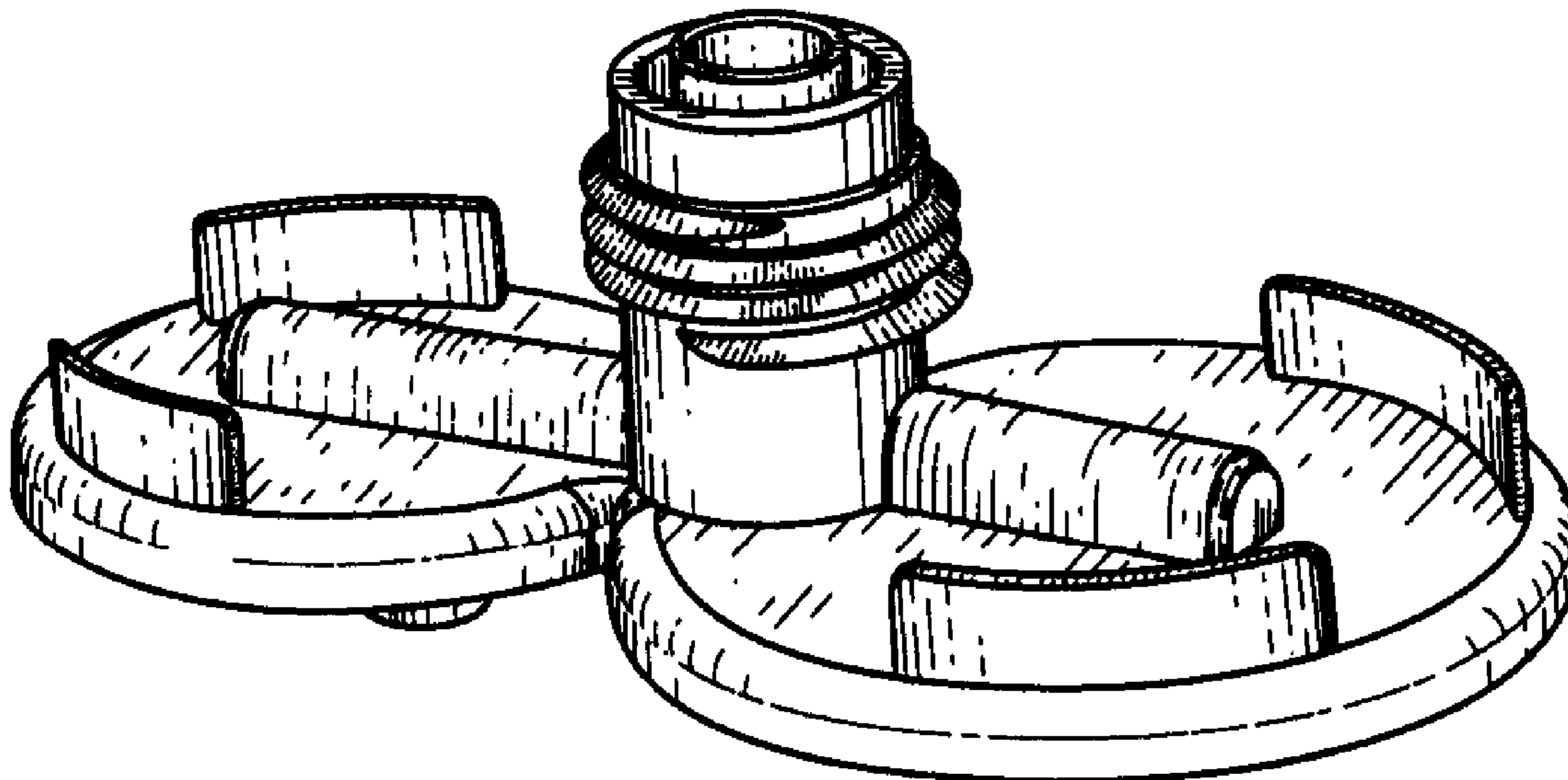
FIG. 6 is a rear view of the design according to the invention; and,

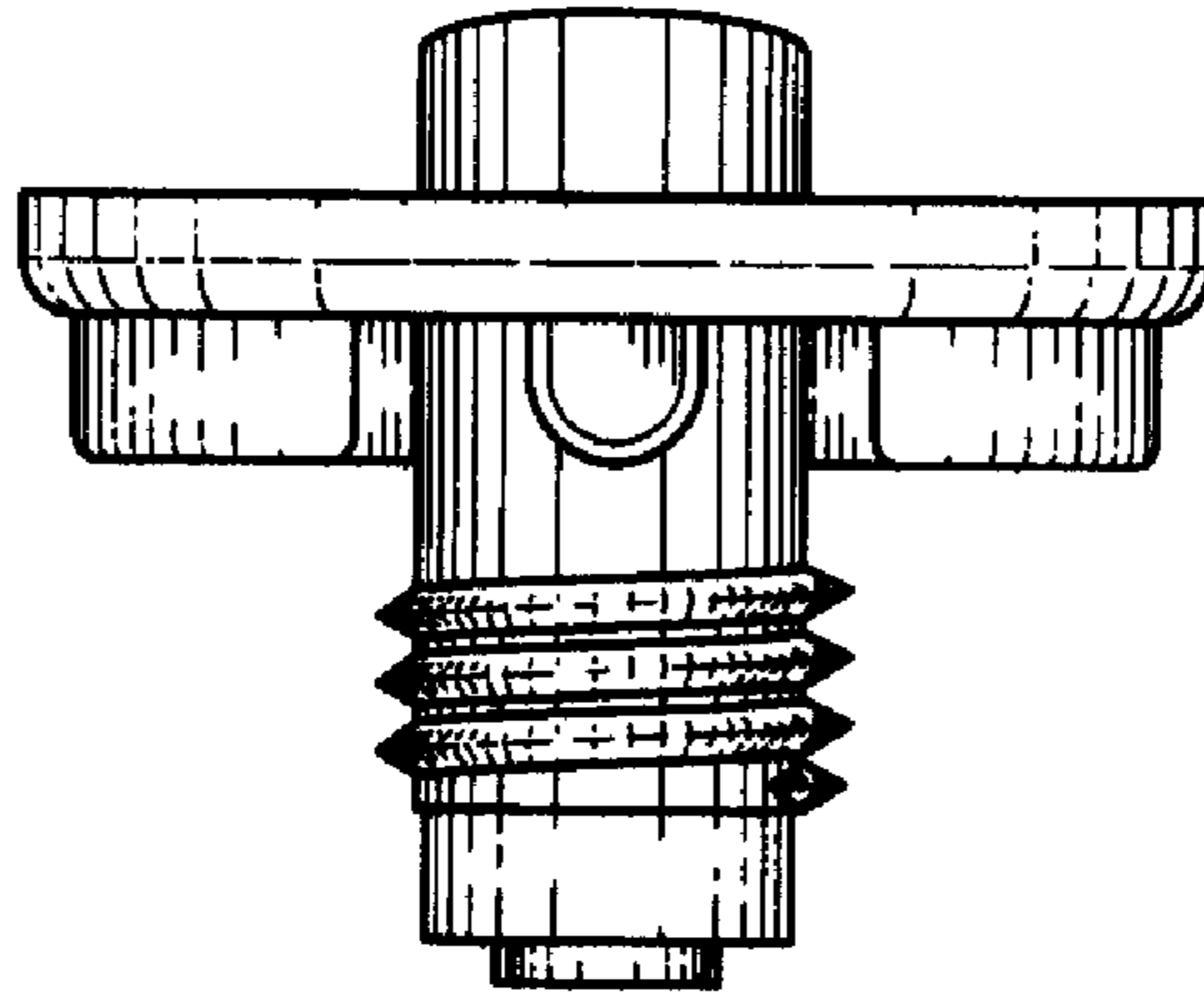
**U.S. PATENT DOCUMENTS**

5,228,599	A	*	7/1993	Keller	.....	222/137
5,330,079	A	*	7/1994	Keller	.....	222/135
5,458,262	A	*	10/1995	Keller	.....	222/135
D377,891	S	*	2/1997	Bencich	.....	D8/14.1
D443,488	S	*	6/2001	Palladino	.....	D8/14.1

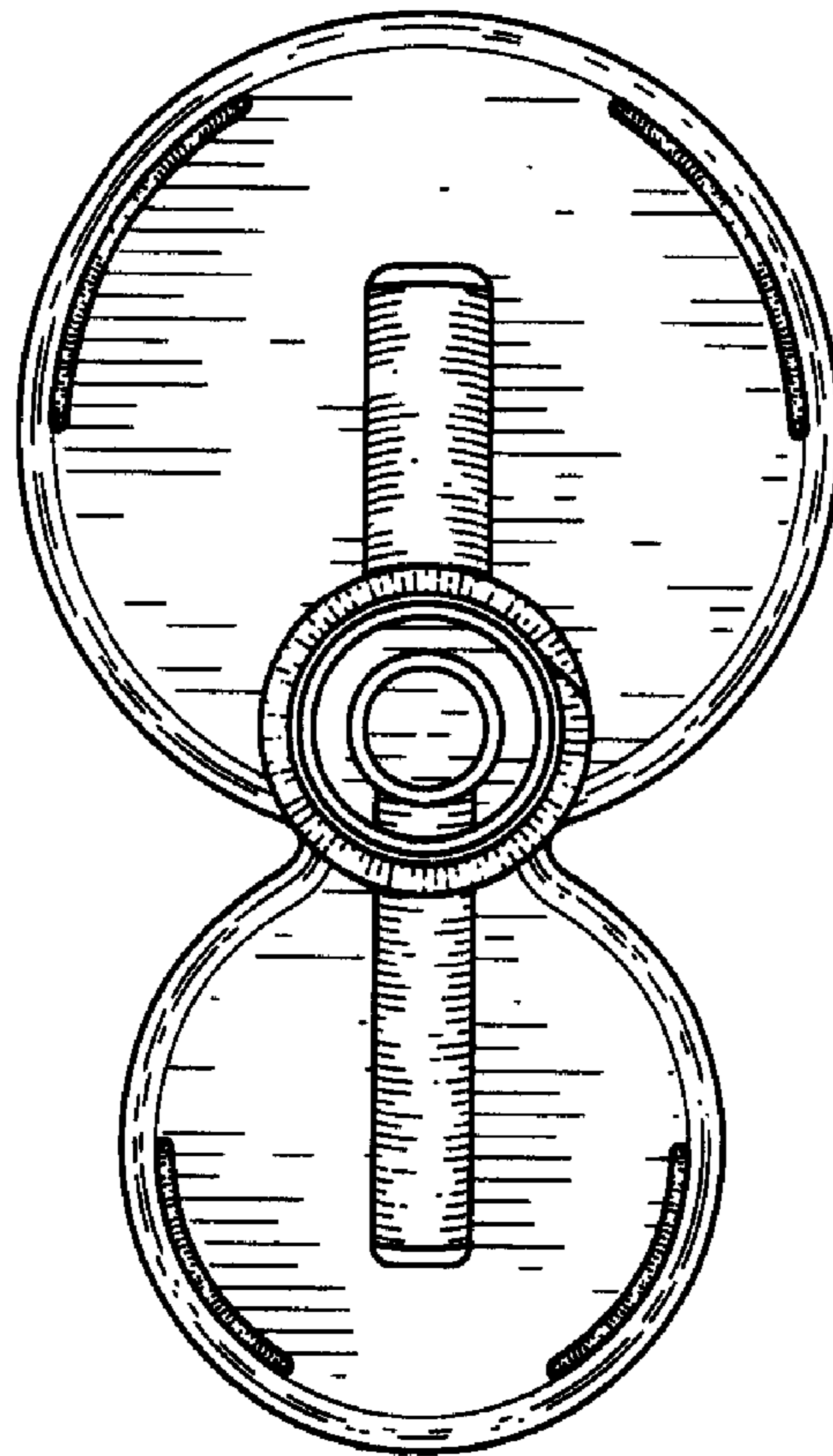
FIG. 7 is a perspective view of the design according to the invention.

**1 Claim, 3 Drawing Sheets**

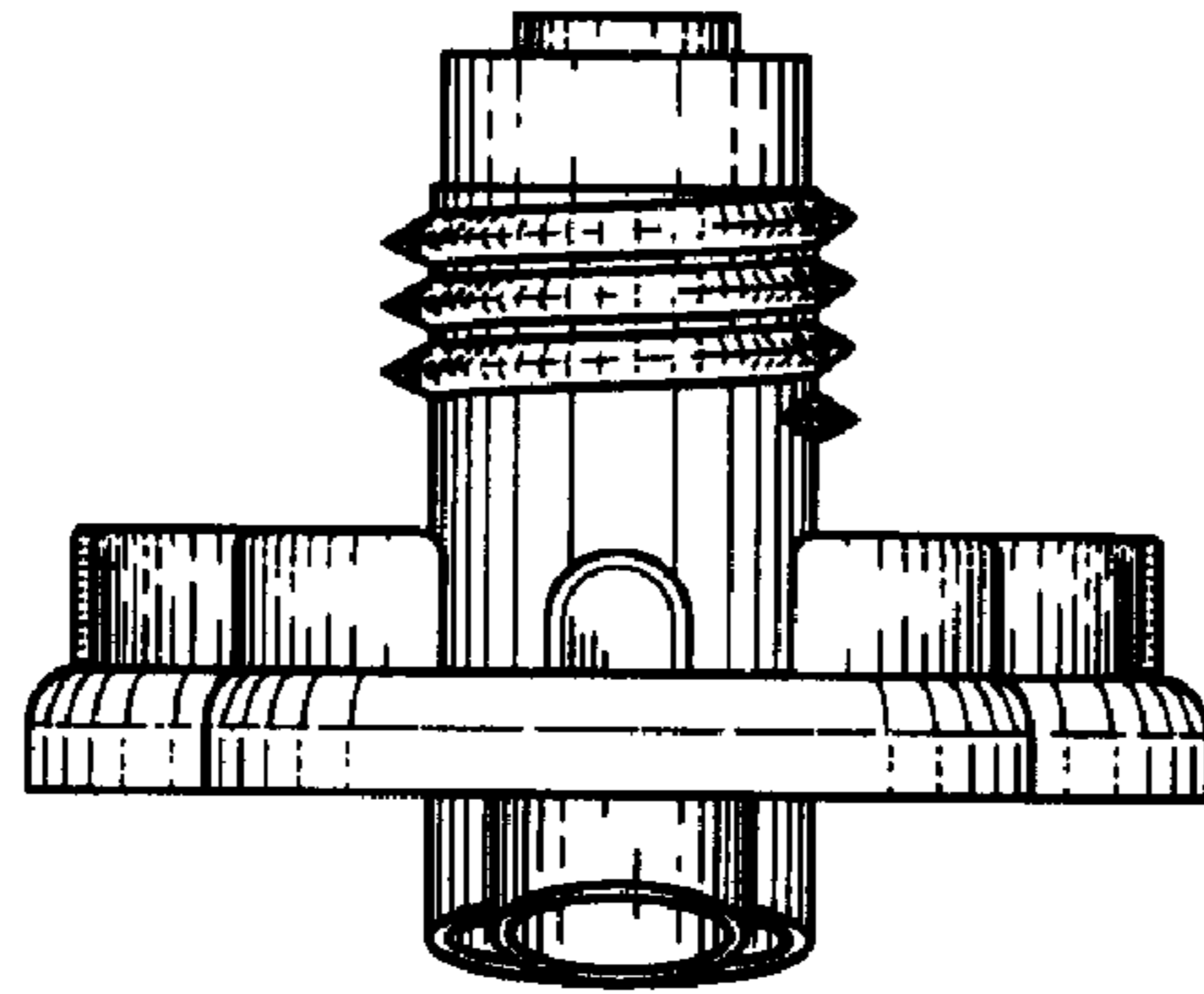




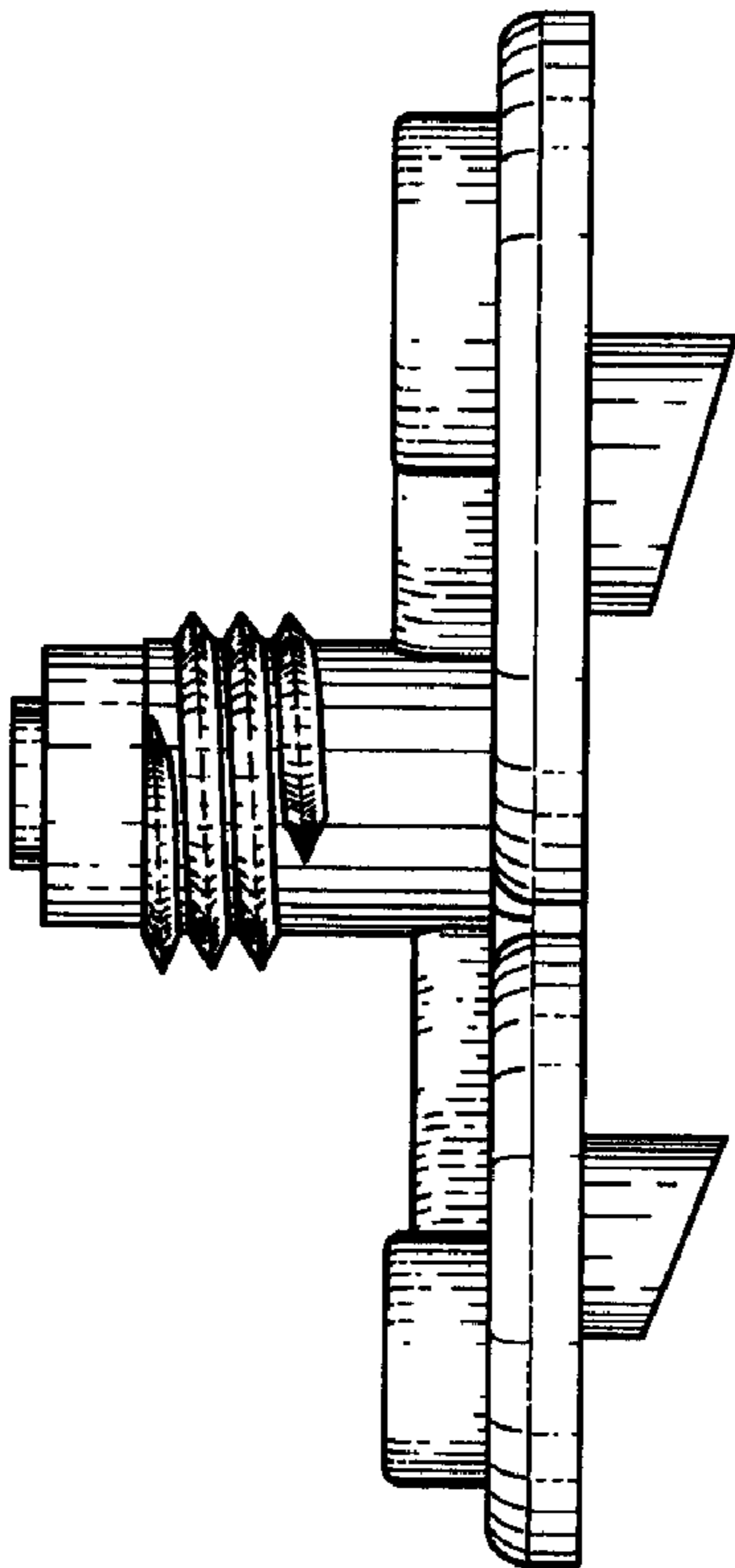
**FIG. 1**



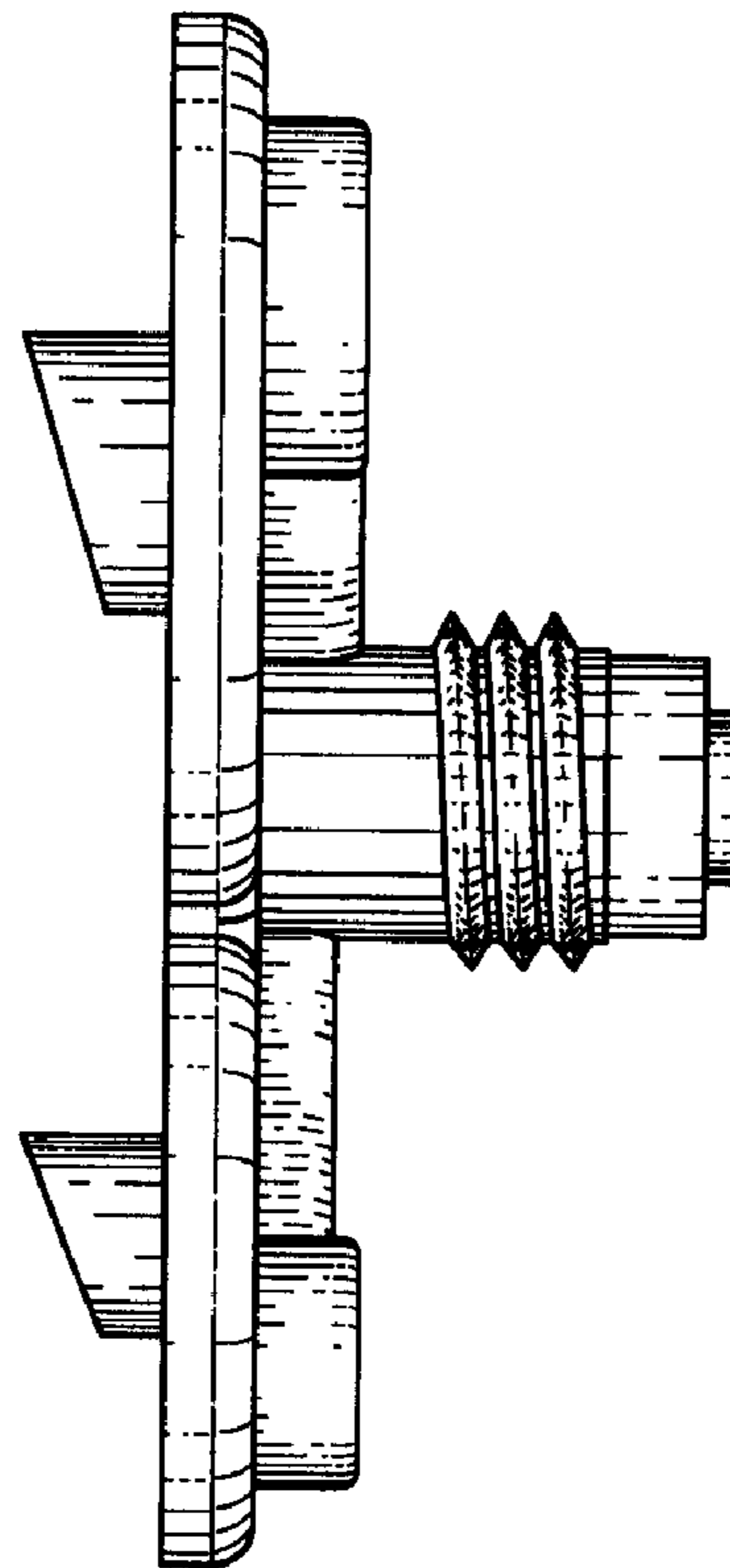
**FIG. 2**



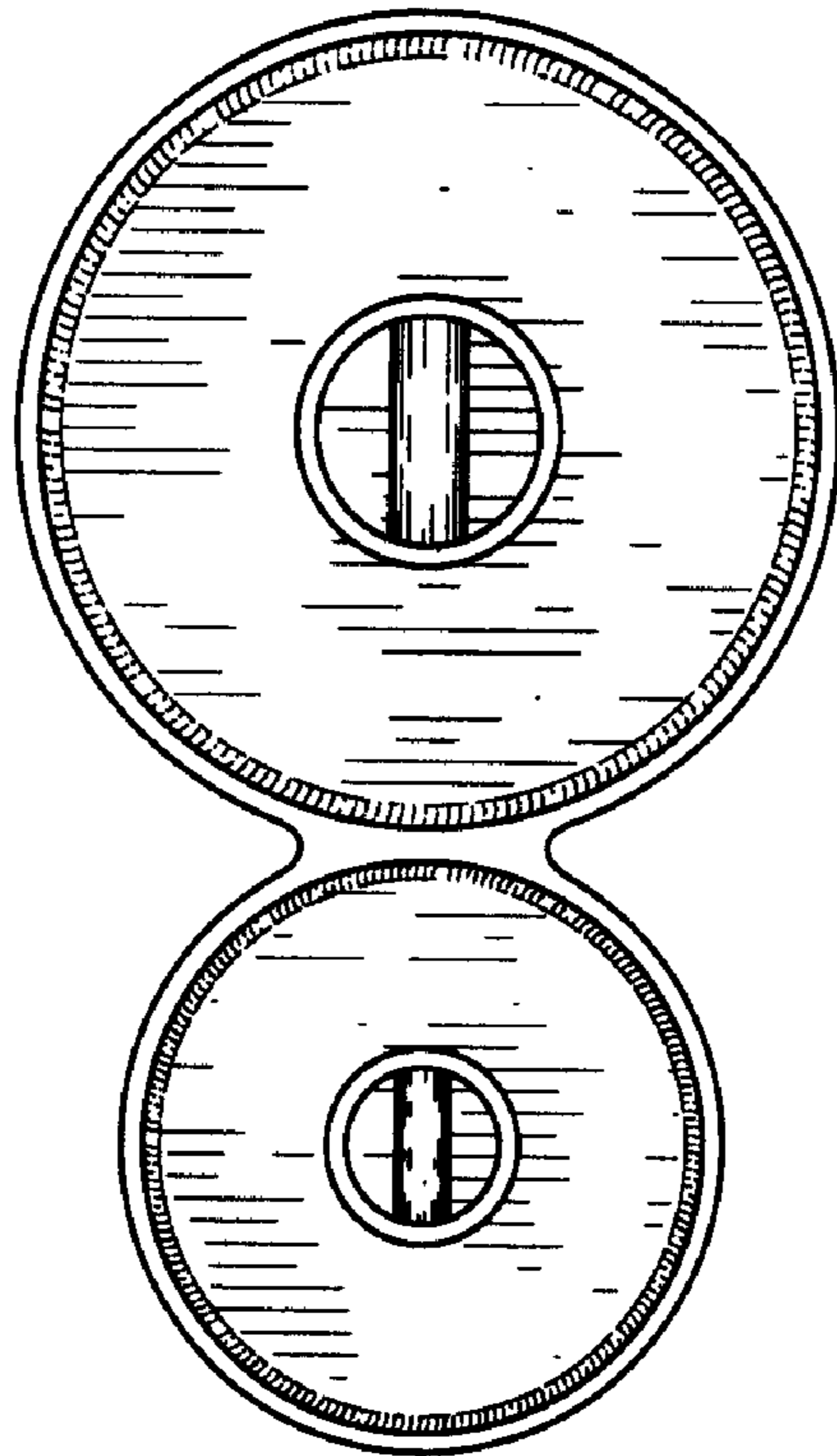
**FIG. 3**



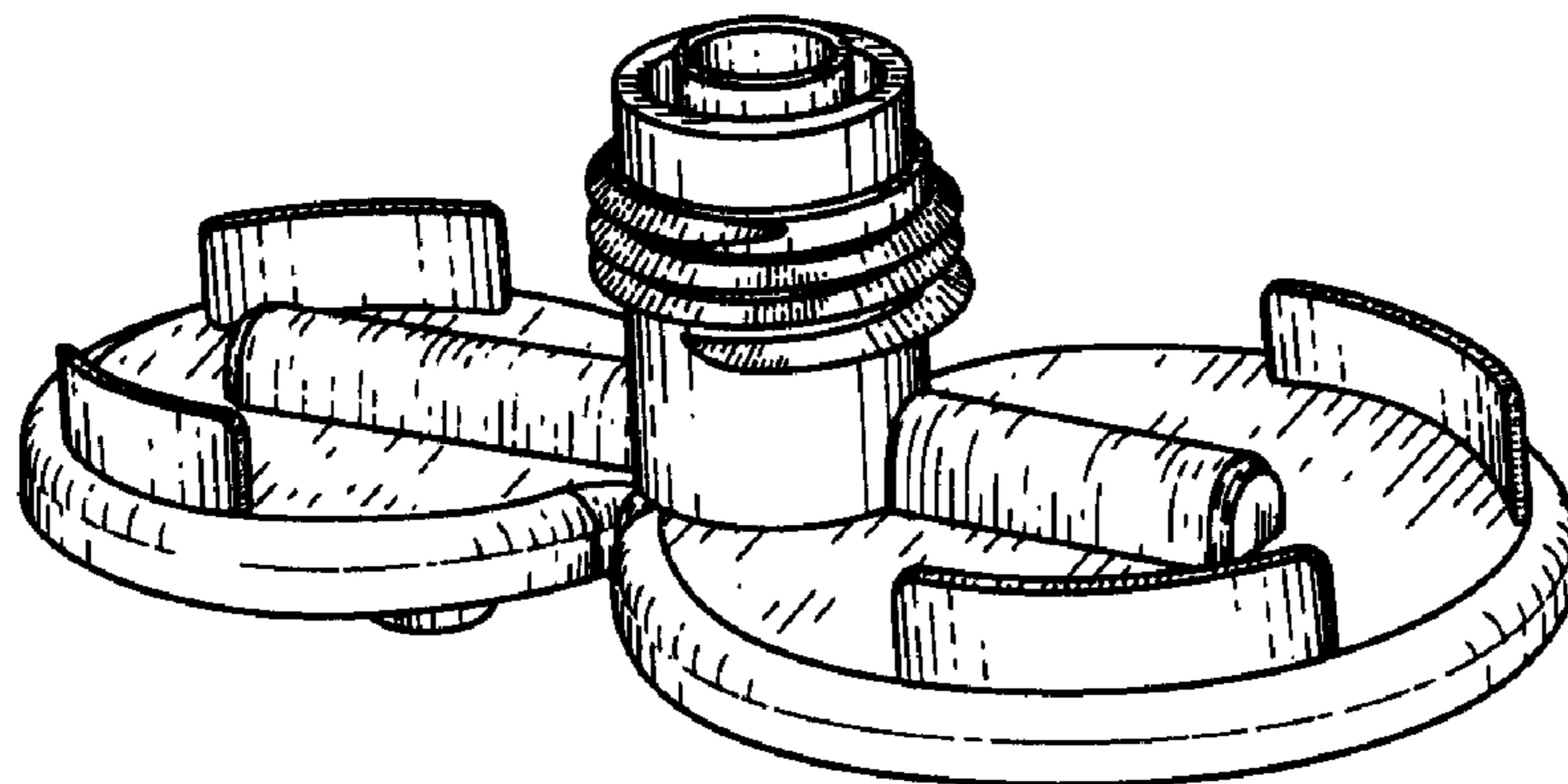
**FIG. 4**



**FIG. 5**



**FIG. 6**



**FIG. 7**