



US00D534769S

(12) **United States Design Patent**
Norris et al.

(10) **Patent No.:** **US D534,769 S**
(45) **Date of Patent:** **** Jan. 9, 2007**

(54) **BEVERAGEWARE**
(75) Inventors: **Daniel A. Norris**, Williamsville, NY
(US); **Ron Lapsker**, Maple (CA)
(73) Assignee: **Prosoft International, Inc.**, Bridgetown
(BB)
(**) Term: **14 Years**

D462,238 S * 9/2002 Wyche D7/523
D469,658 S * 2/2003 Norris et al. D7/523
D479,437 S * 9/2003 Gluck D7/523
D479,670 S * 9/2003 Webb D7/532
D483,611 S * 12/2003 Diak Ghanem D7/523
D501,758 S * 2/2005 Lebedev D7/536
D502,633 S * 3/2005 Liu D7/523
D502,844 S * 3/2005 Rohe D7/510
D507,934 S * 8/2005 Featherston et al. D7/510

* cited by examiner

(21) Appl. No.: **29/222,190**
(22) Filed: **Jan. 26, 2005**

Primary Examiner—M. N. Pandozzi
(74) *Attorney, Agent, or Firm*—Hodgson Russ LLP

(51) **LOC (8) Cl.** **07-01**
(52) **U.S. Cl.** **D7/523; D7/536**
(58) **Field of Classification Search** D7/523,
D7/532, 531, 509, 301, 392.1, 507, 515, 514,
D7/513, 510, 511, 608; D34/1; D11/152,
D11/164; D9/504, 516, 695, 431; 222/519;
206/219; 220/675, 703, 709; 229/400, 403;
215/307; 210/85

(57) **CLAIM**

The ornamental design for beverageware, as shown and described.

See application file for complete search history.

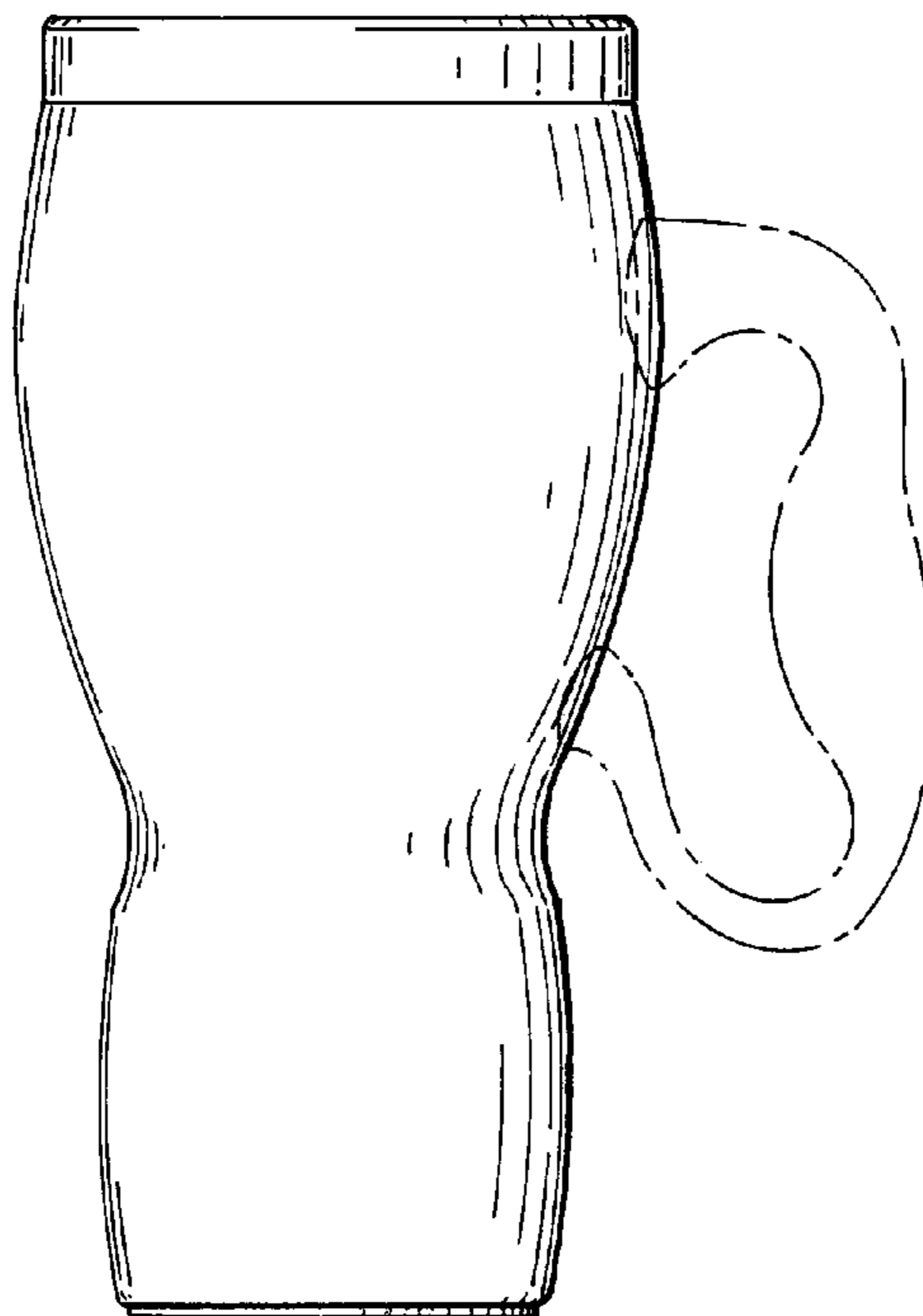
DESCRIPTION

FIG. 1 is a perspective view of beverageware showing our new design;
FIG. 2 is a right-hand side elevational view thereof, the left-hand side view thereof being a mirror image of the side shown;
FIG. 3 is a rear elevational view thereof;
FIG. 4 is a front elevational view thereof;
FIG. 5 is a top plan view thereof; and,
FIG. 6 is a bottom plan view thereof.
The broken lines in the drawings are for illustrative purposes only and form no part of the claimed design.

(56) **References Cited**
U.S. PATENT DOCUMENTS

D67,869 S * 7/1925 Boswell D7/523
D173,106 S * 9/1954 Foster D7/524
D217,090 S * 4/1970 Angelakos D7/523
D383,037 S * 9/1997 Asberg D7/511
D417,820 S * 12/1999 Pelz et al. D7/523
D437,230 S * 2/2001 Andrew D9/516
D459,156 S * 6/2002 Davidson D7/524

1 Claim, 2 Drawing Sheets



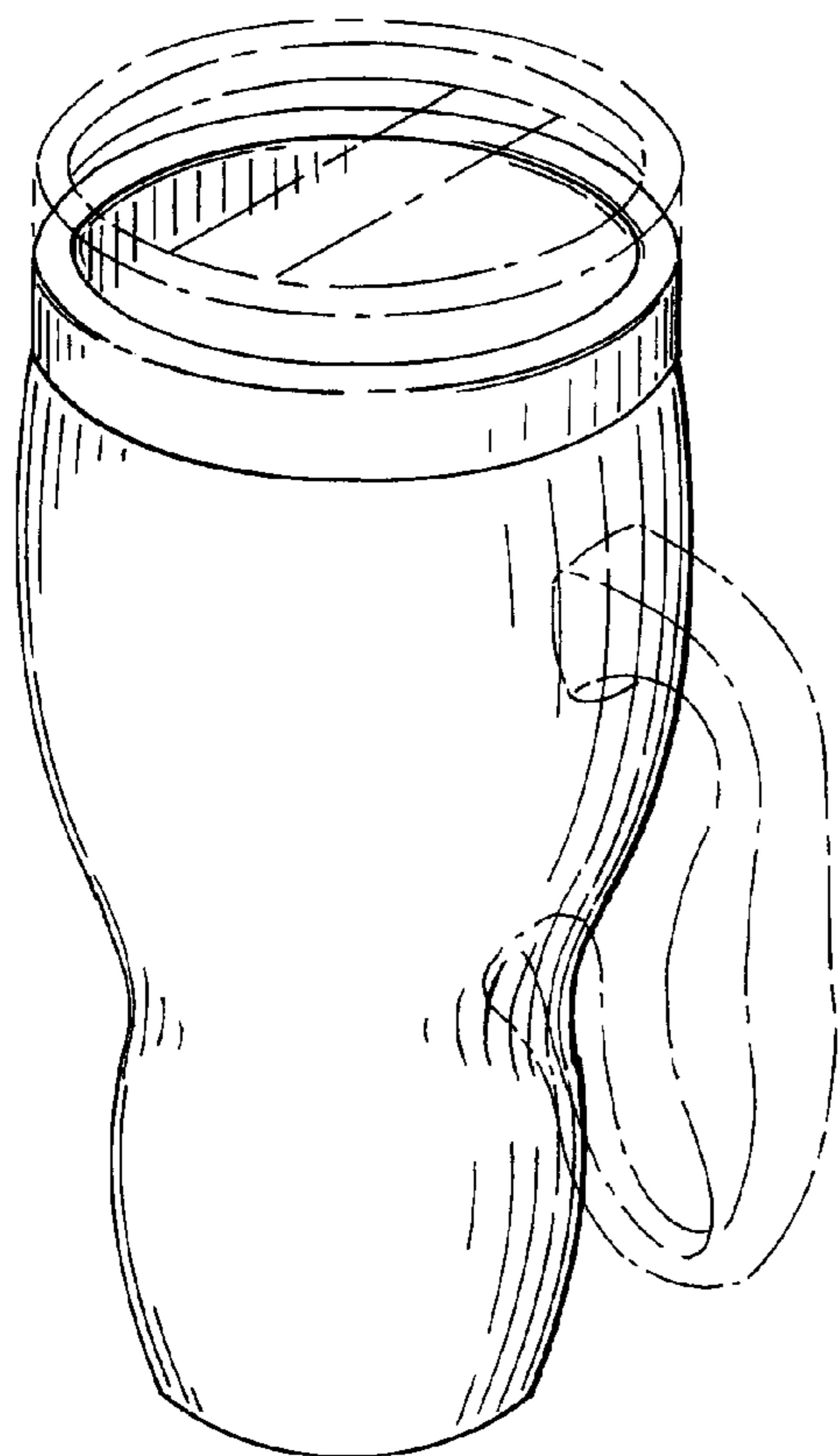


FIG. 1

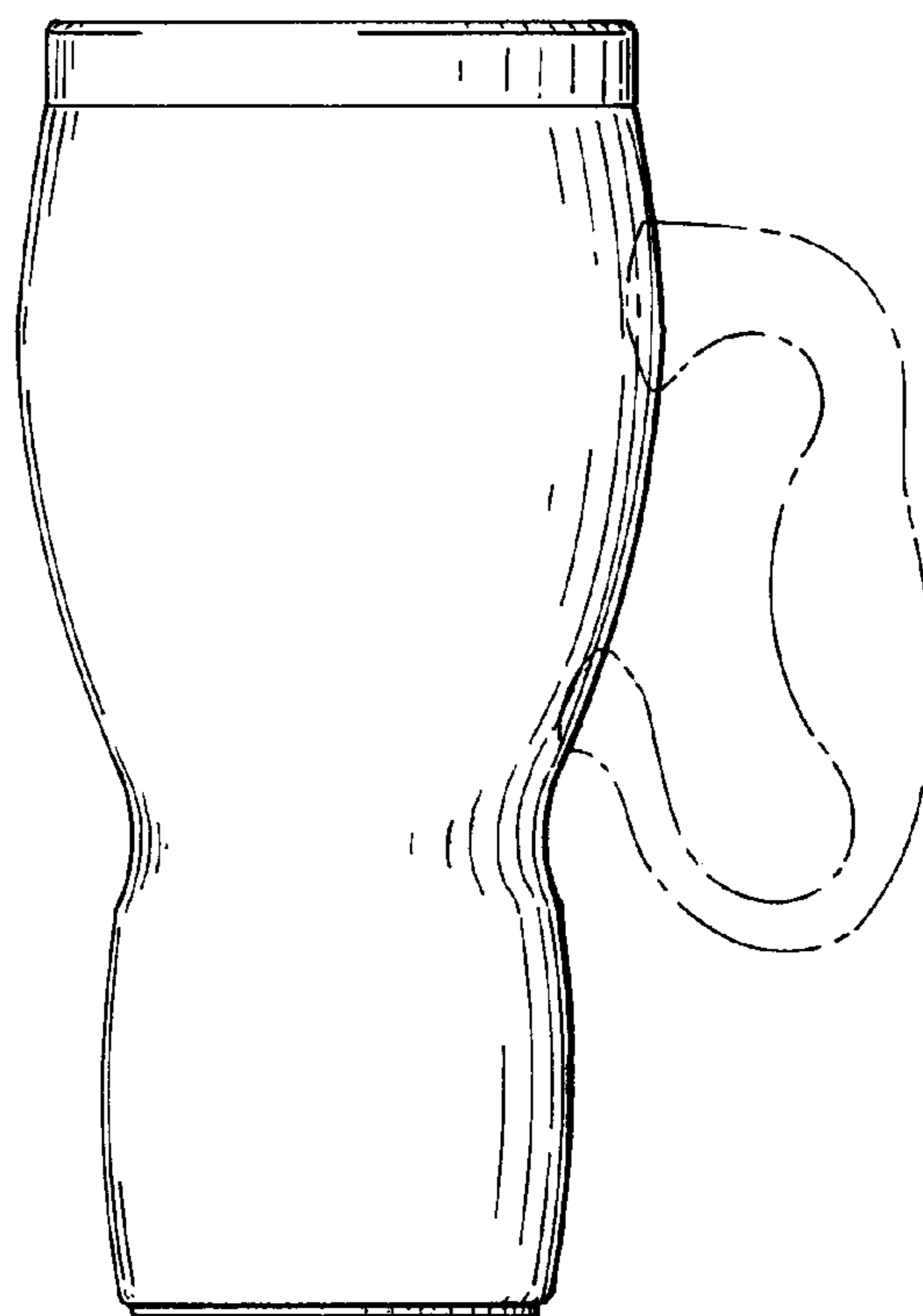


FIG. 2

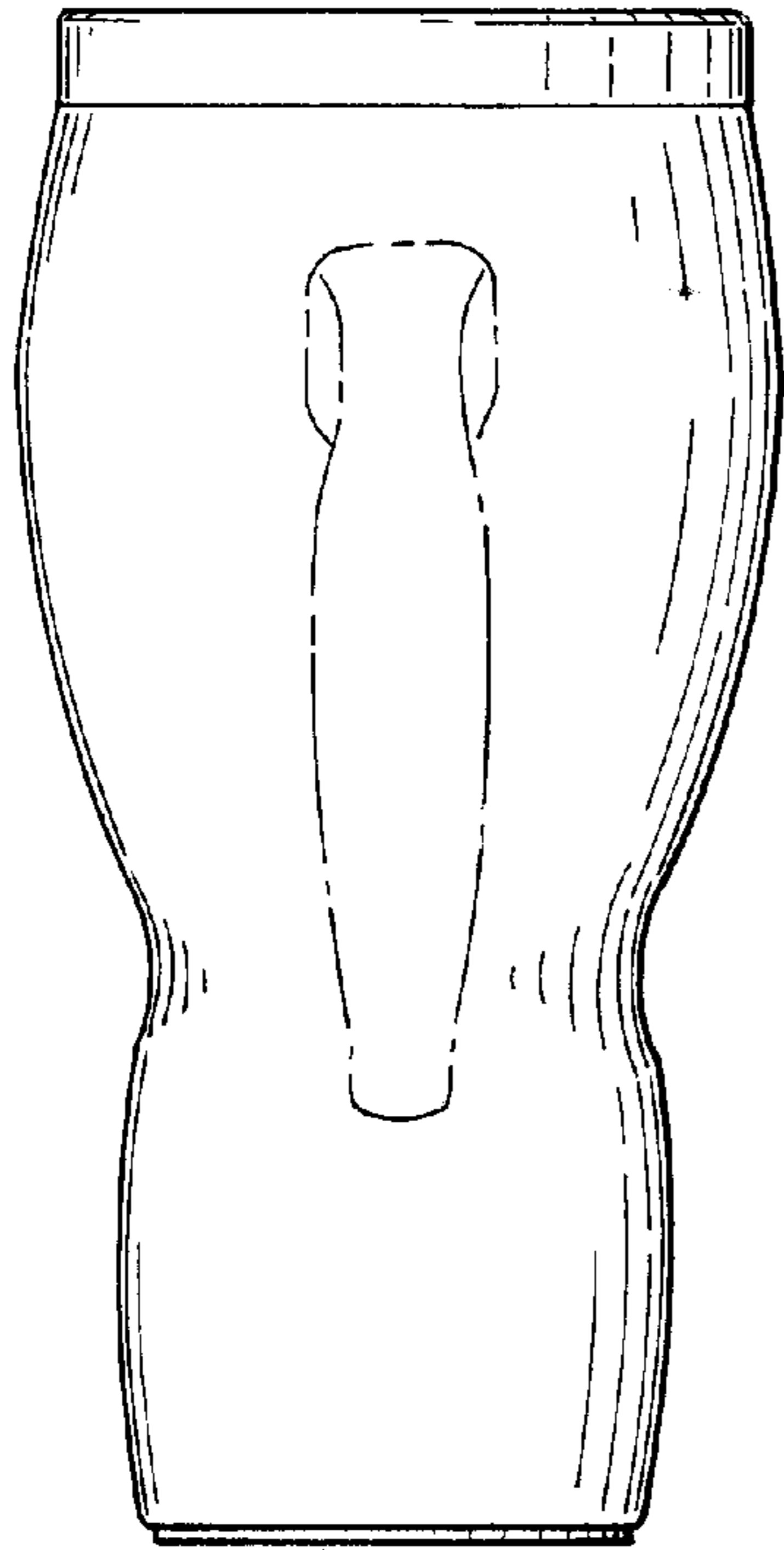


FIG. 3

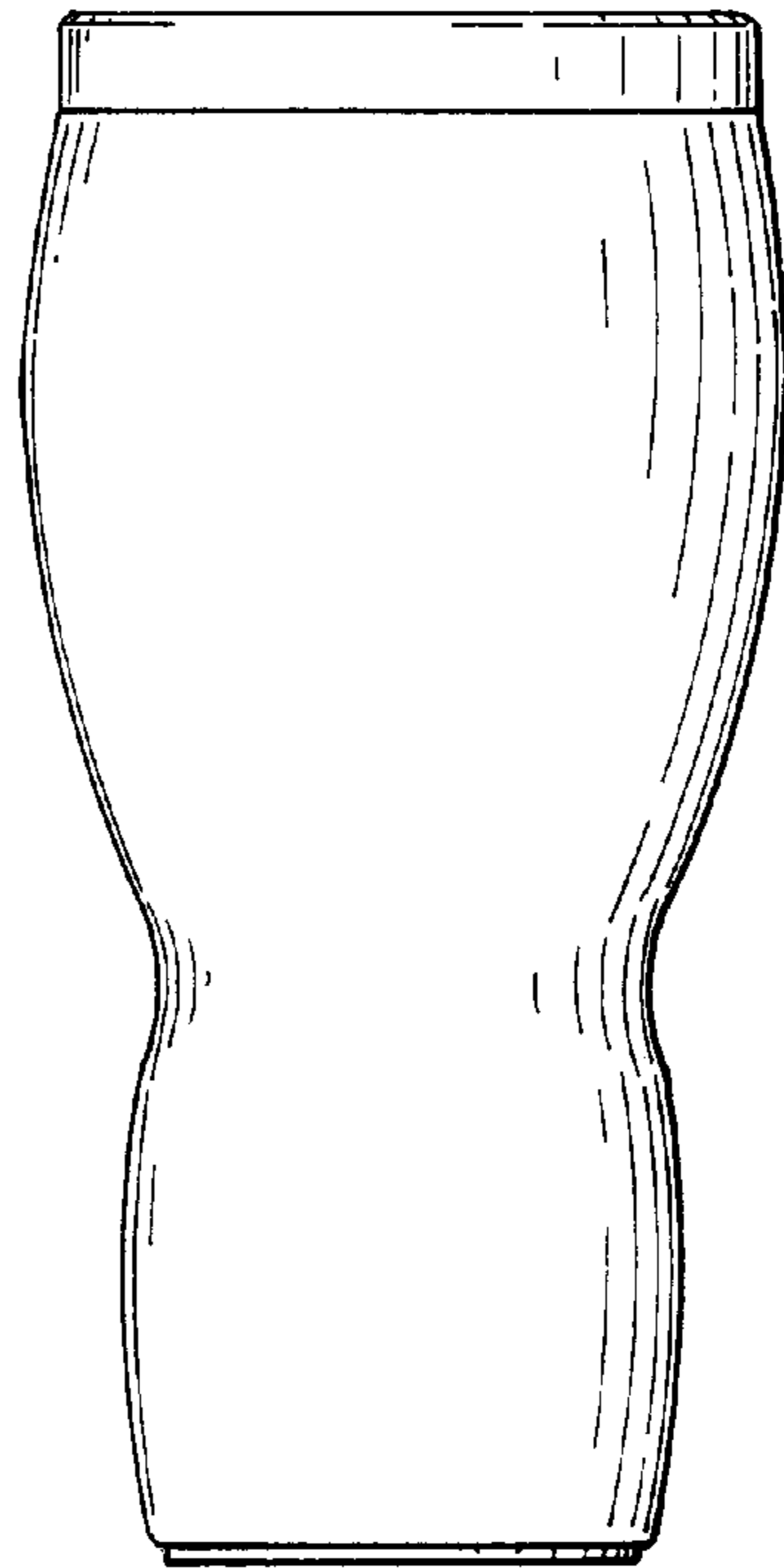


FIG. 4

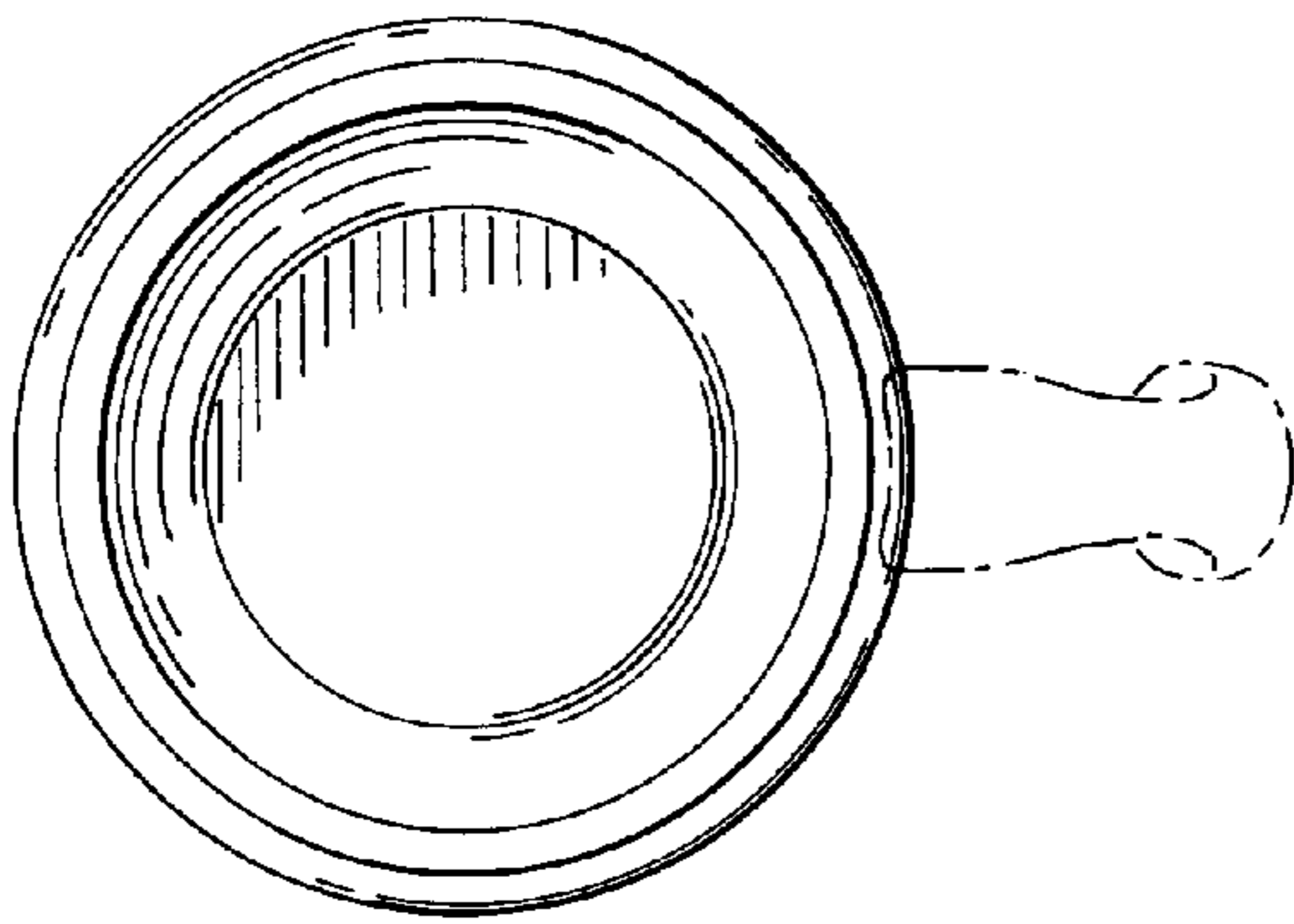


FIG. 5

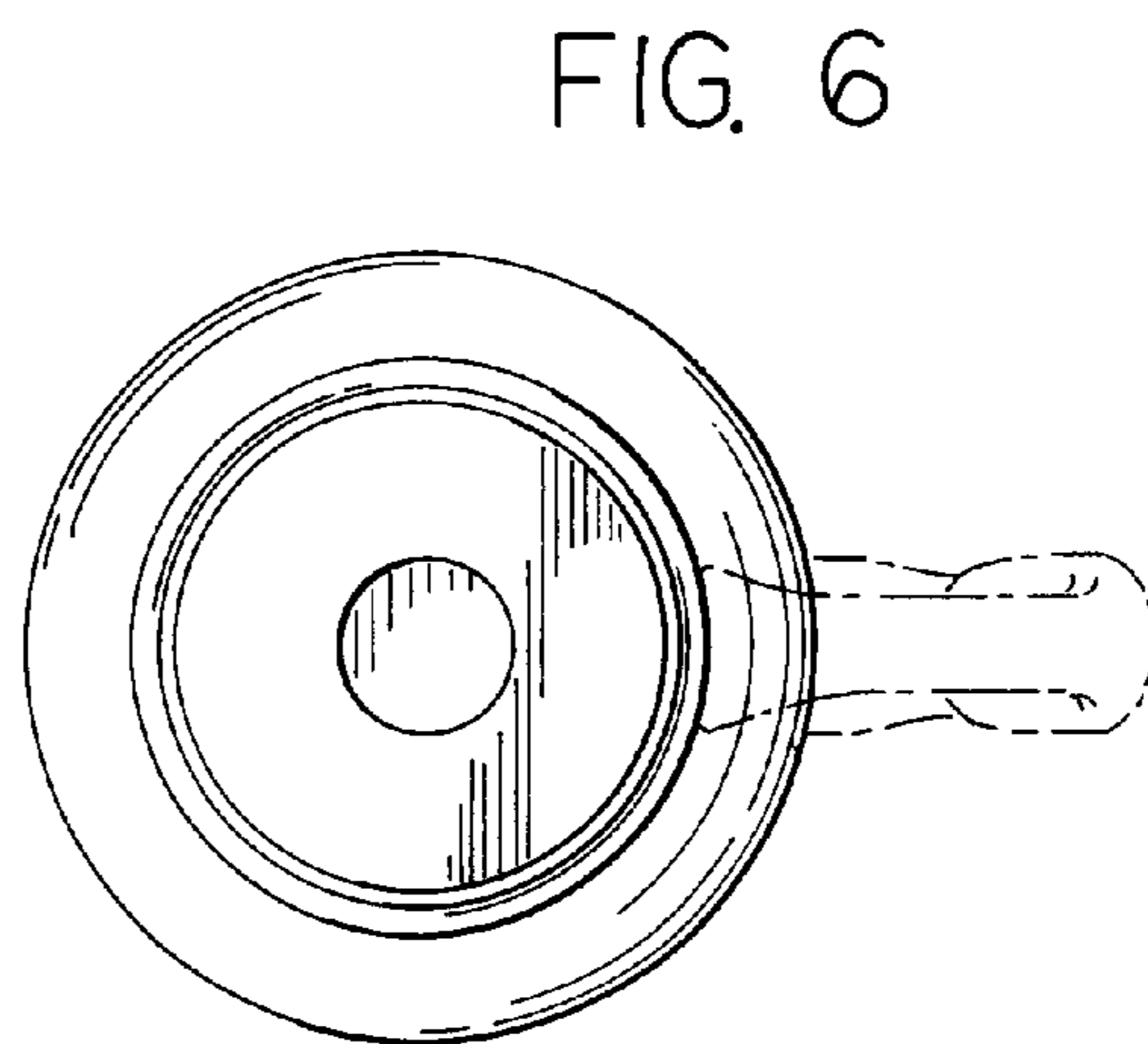


FIG. 6