



US00D534762S

(12) **United States Design Patent**
Gluck

(10) **Patent No.:** **US D534,762 S**

(45) **Date of Patent:** **** Jan. 9, 2007**

(54) **CLOSEABLE LID**

(75) Inventor: **J. Robert Gluck**, Lawrence, NY (US)

(73) Assignee: **Robert Gordon Industries, Ltd.**,
Lynbrook, NY (US)

(**) Term: **14 Years**

(21) Appl. No.: **29/220,149**

(22) Filed: **Dec. 28, 2004**

(51) **LOC (8) Cl.** **07-02**

(52) **U.S. Cl.** **D7/392.1**

(58) **Field of Classification Search** D7/317-319,
D7/391-392.1, 396.2, 510-511, 629; D9/435,
D9/440, 444, 447, 449-450, 454, 503-504;
215/211, 200, 224, 243; 220/700, 701, 703,
220/711, 713-715, 719

See application file for complete search history.

(56) **References Cited**

U.S. PATENT DOCUMENTS

D439,473 S * 3/2001 Lin D7/510
D490,272 S * 5/2004 Rohe D7/510

* cited by examiner

Primary Examiner—Holly H. Baynham

Assistant Examiner—Cynthia M. Chin

(74) *Attorney, Agent, or Firm*—Greenblum & Bernstein,
P.L.C.

(57) **CLAIM**

I claim the ornamental design for a closeable lid, as shown and described.

DESCRIPTION

FIG. 1 is a front perspective view of a closeable lid, showing my new design;

FIG. 2 is a front side view of the design embodiment shown in FIG. 1;

FIG. 3 is a back side view of the design embodiment shown in FIG. 1;

FIG. 4 is a left side view of the design embodiment shown in FIG. 1;

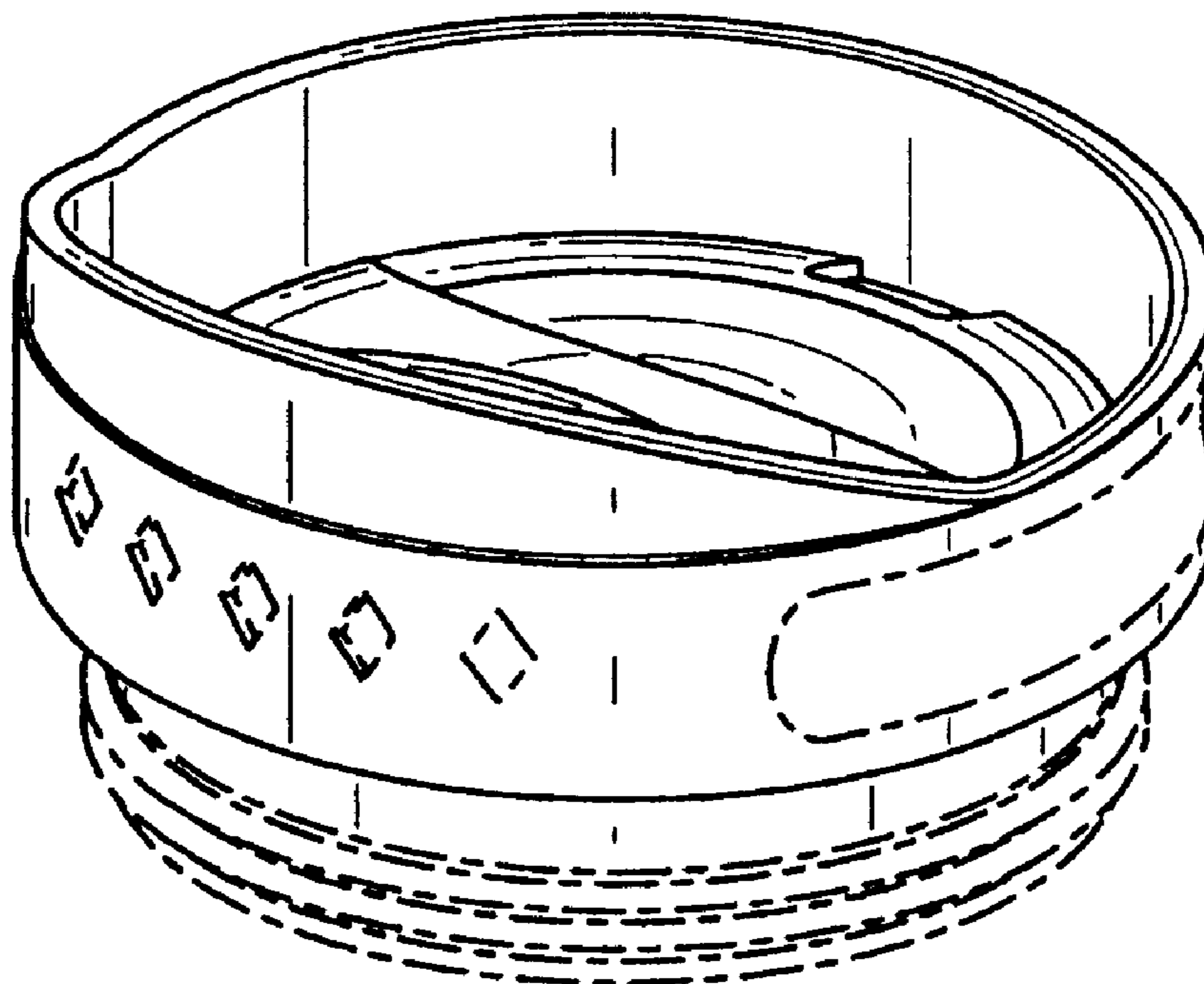
FIG. 5 is a right side view of the design embodiment shown in FIG. 1;

FIG. 6 is a top view of the design embodiment shown in FIG. 1; and,

FIG. 7 is a bottom view of the design embodiment shown in FIG. 1.

The subject matter shown in dashed lines, and any surfaces of the design not shown, including interior surfaces, form no part of the claimed invention.

1 Claim, 4 Drawing Sheets



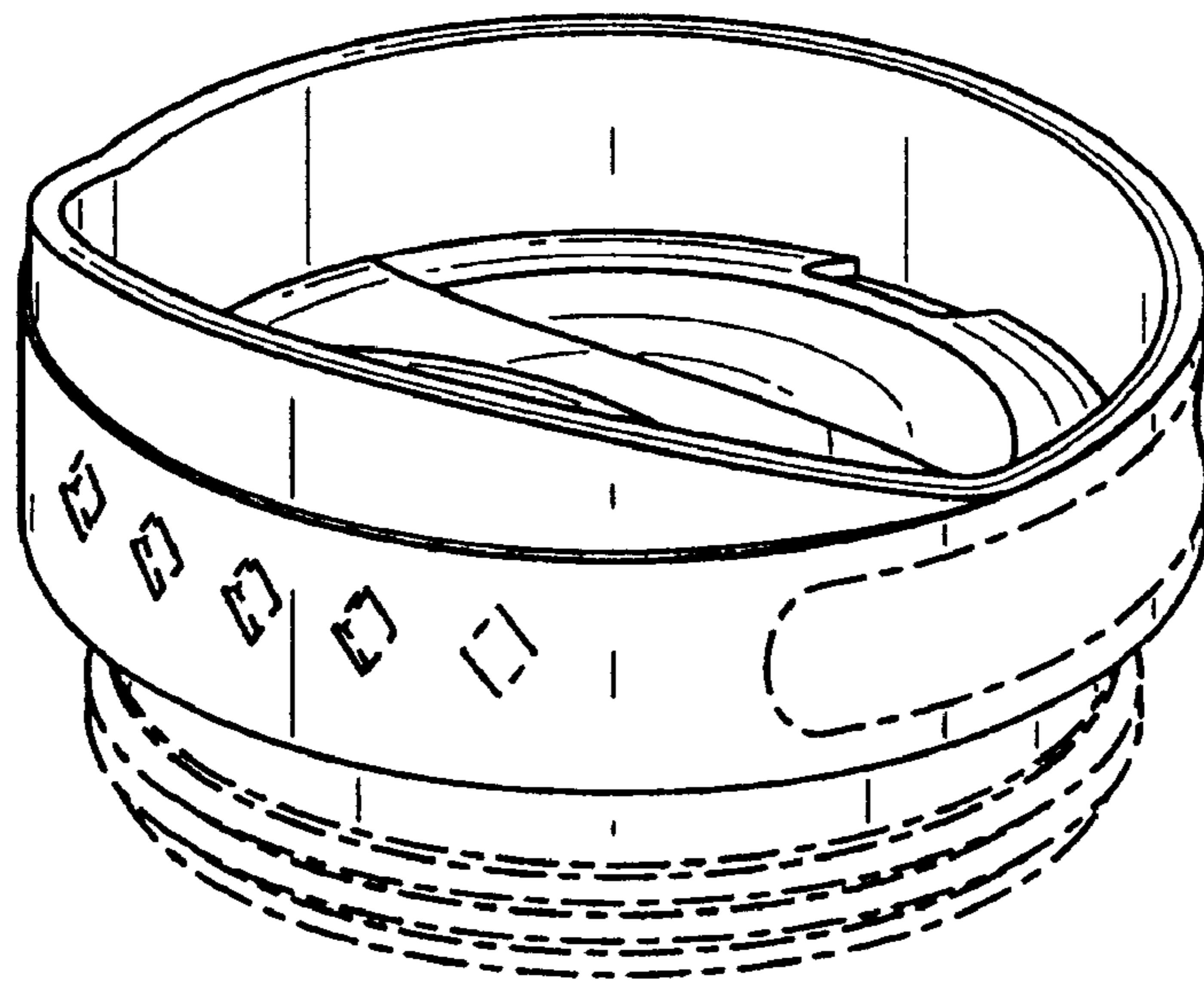


FIG. 1

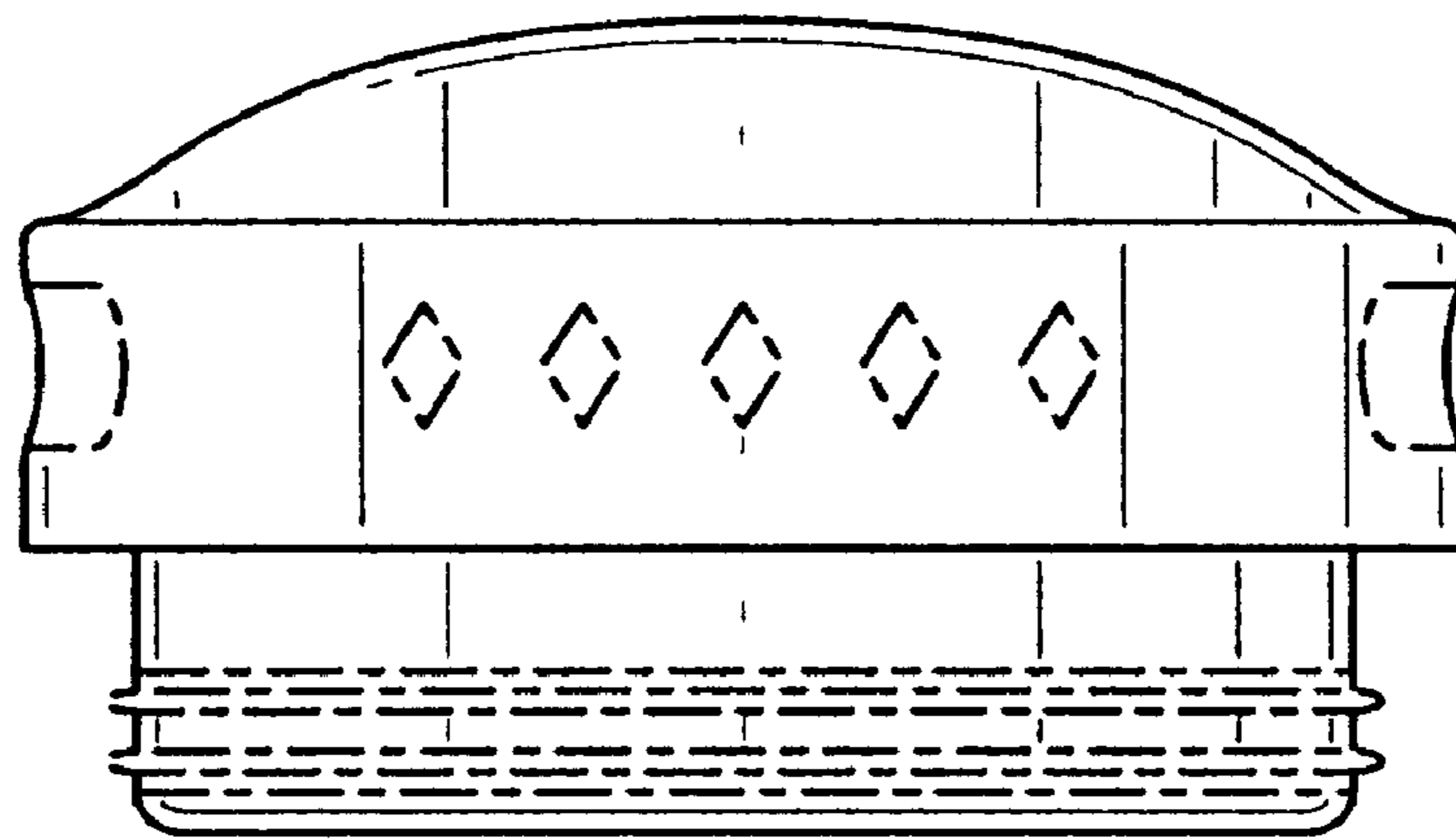


FIG. 2

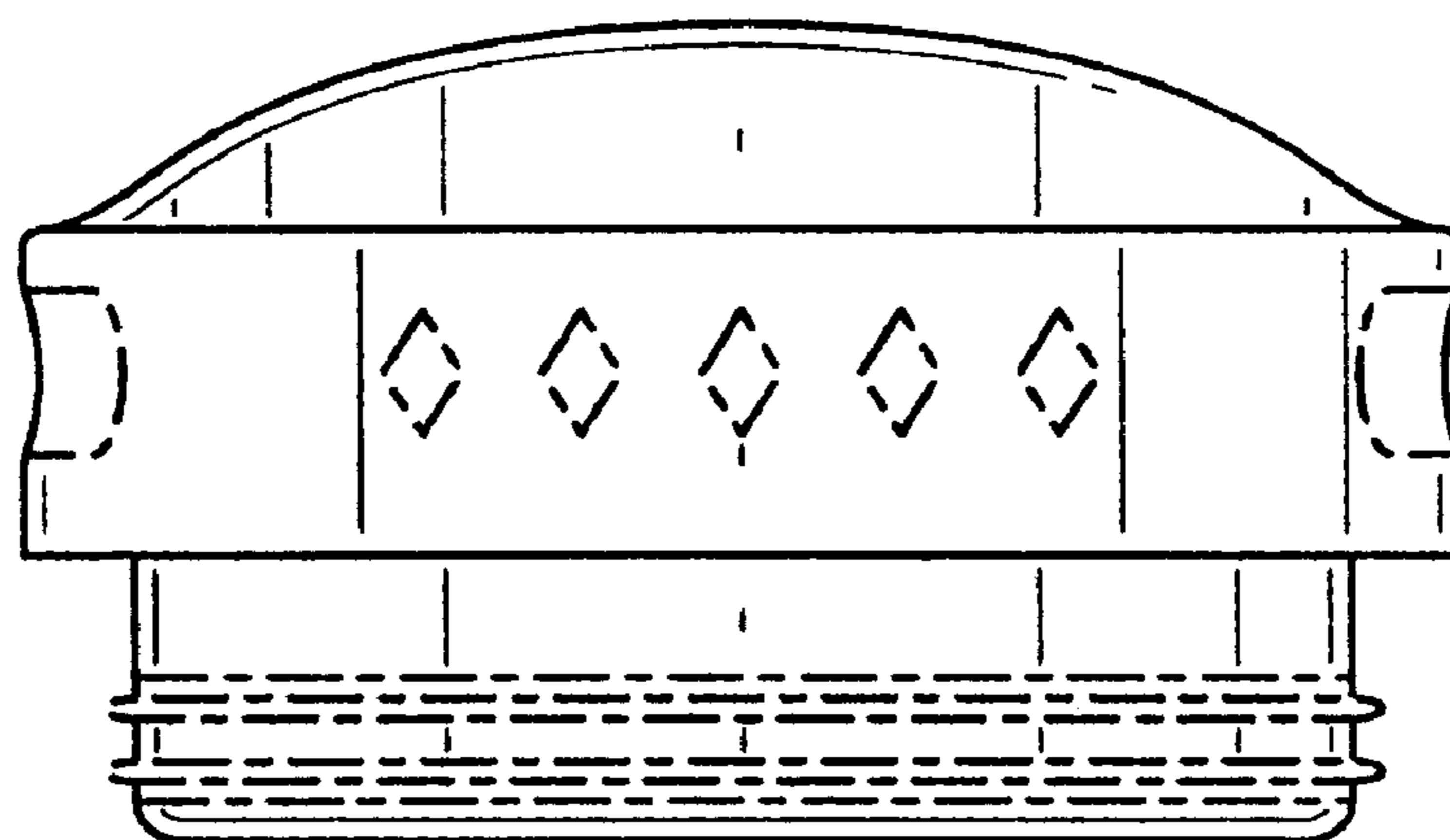


FIG. 3

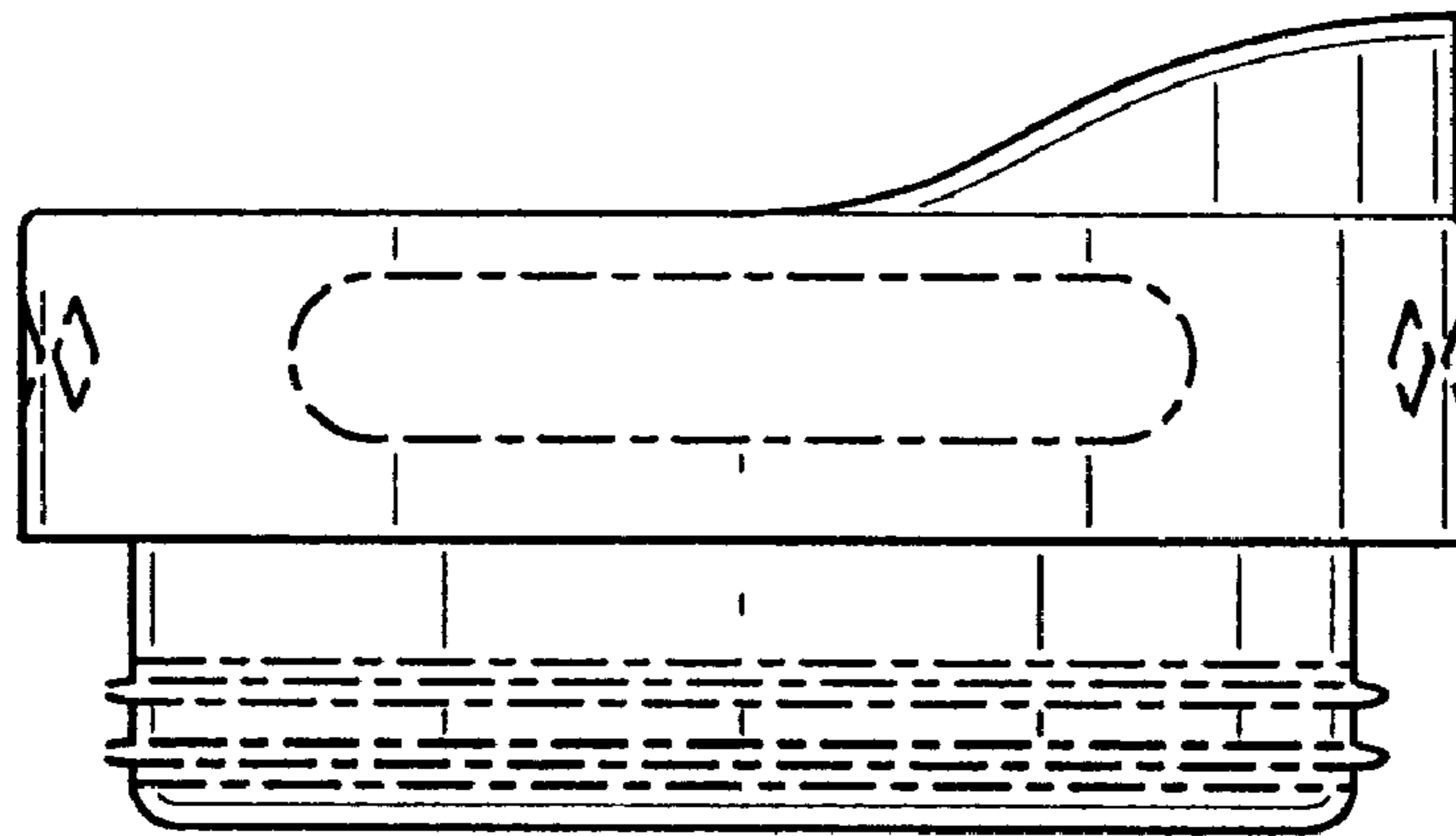


FIG. 4

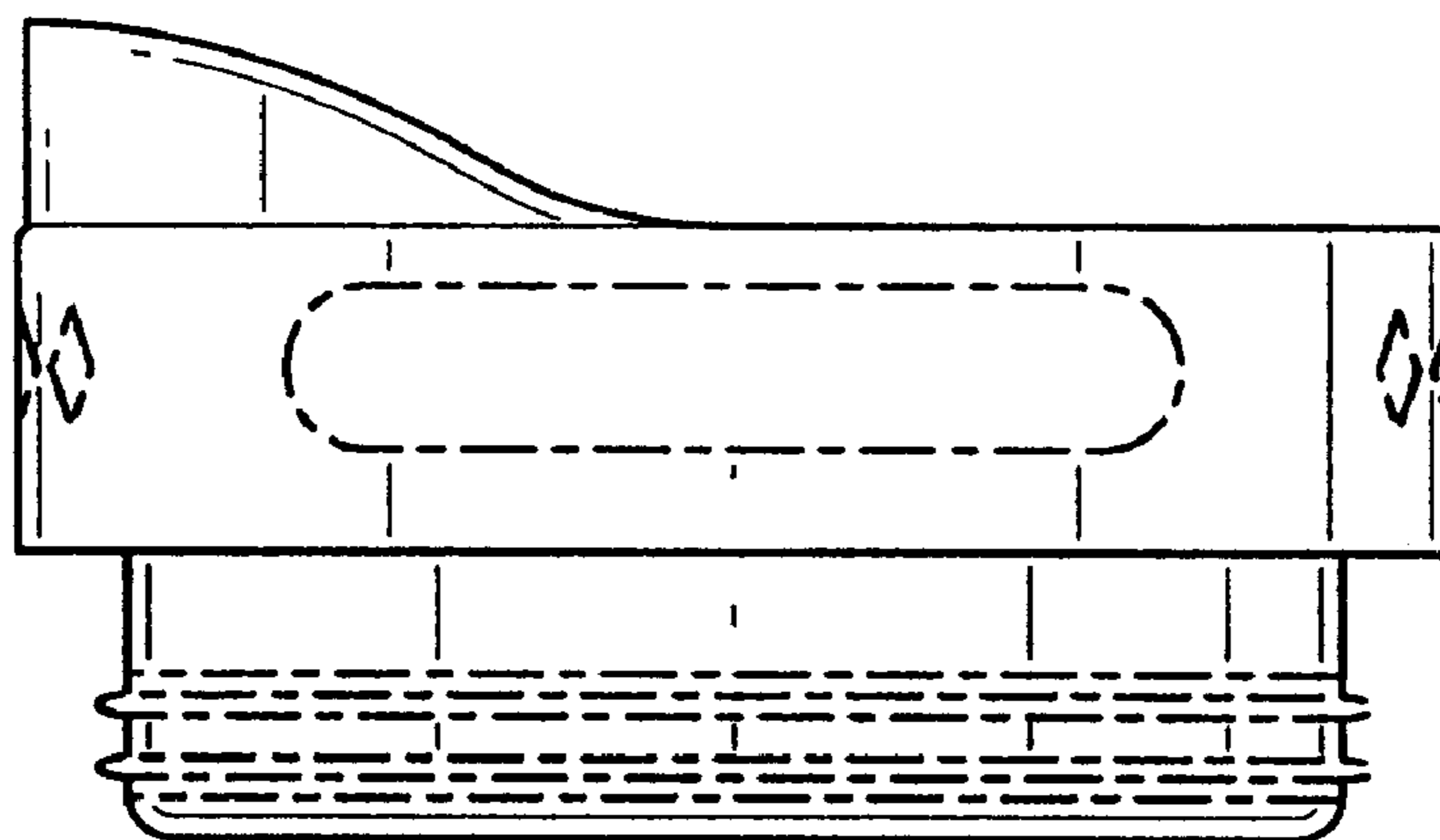


FIG. 5

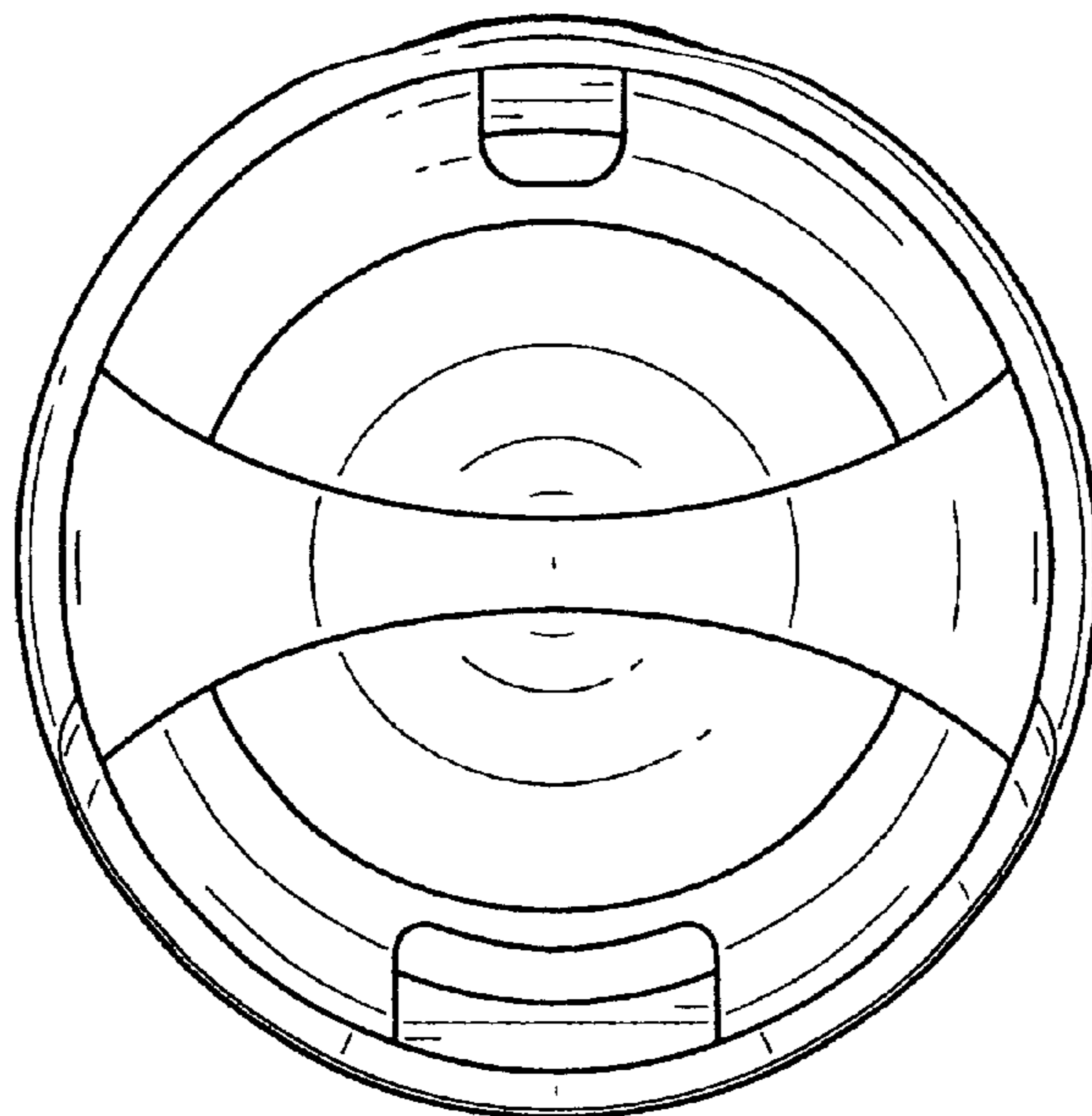


FIG. 6

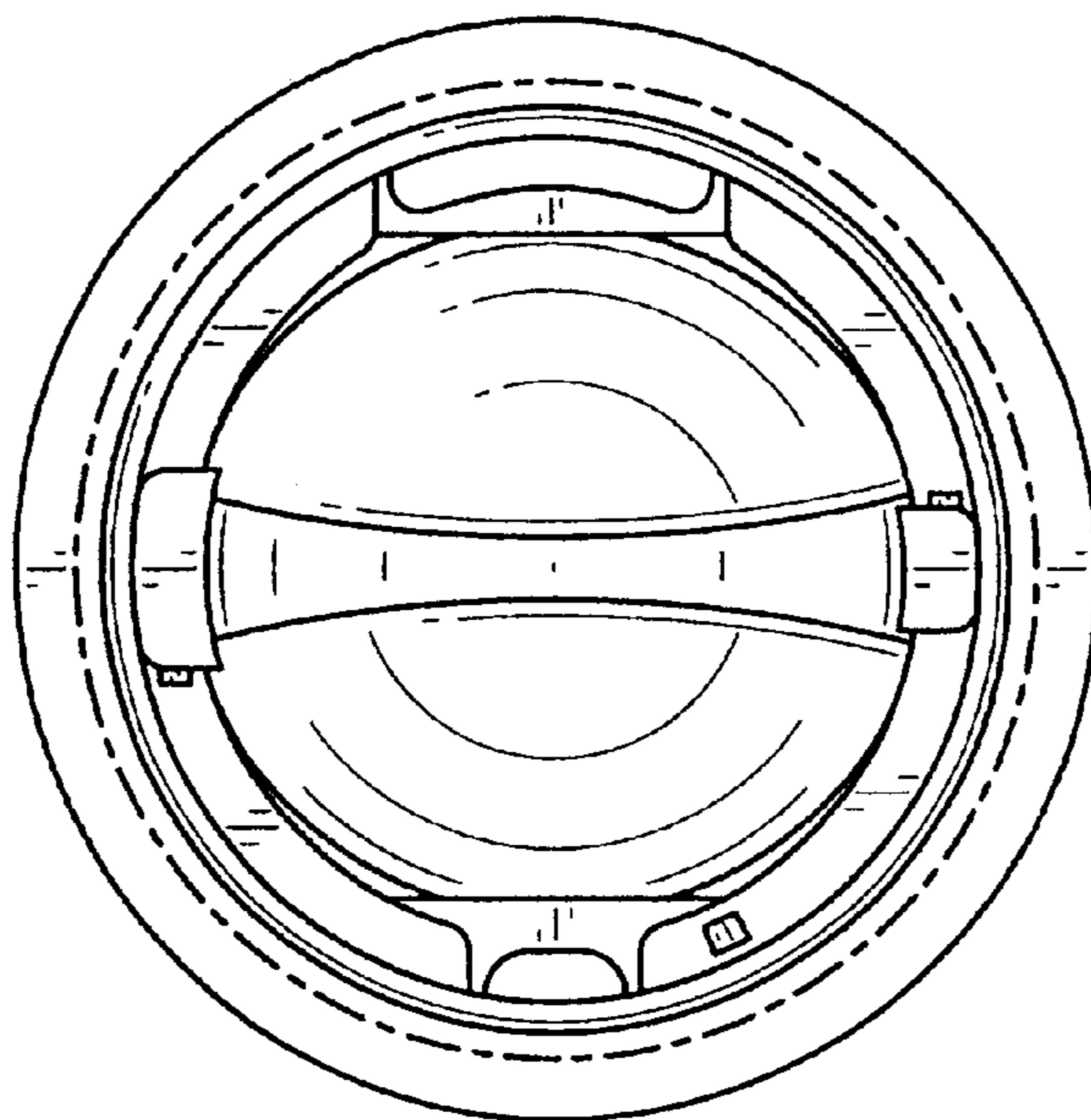


FIG. 7