



US00D534759S

(12) **United States Design Patent**  
**Wang**

(10) **Patent No.:** **US D534,759 S**

(45) **Date of Patent:** **\*\* Jan. 9, 2007**

(54) **FOOD STEAMER**

(76) Inventor: **Dong-lei Wang**, No. 1 Jinfeng Road,  
Tangjiawan Town, Xiangzhou District,  
Zhuhai City, Guangdong Province (CN)

(\*\*) Term: **14 Years**

(21) Appl. No.: **29/242,195**

(22) Filed: **Nov. 7, 2005**

(30) **Foreign Application Priority Data**

Jun. 22, 2005 (CN) ..... 200530062536

(51) **LOC (8) Cl.** ..... **07-02**

(52) **U.S. Cl.** ..... **D7/354**

(58) **Field of Classification Search** ..... D7/323-354,  
D7/356-360; 99/324, 325, 339, 357, 395,  
99/410, 422; 126/19 R, 20, 275 R, 275 E,  
126/369, 377; 219/620-622, 385, 386; 220/573.1-574  
See application file for complete search history.

(56) **References Cited**

**U.S. PATENT DOCUMENTS**

- D347,352 S \* 5/1994 Myers et al. .... D7/354
- D347,356 S \* 5/1994 Yim ..... D7/360
- D363,635 S \* 10/1995 Cashin et al. .... D7/354
- D370,592 S \* 6/1996 Ting ..... D7/354
- D376,067 S \* 12/1996 Littmann ..... D7/360

- D381,553 S \* 7/1997 Candianides ..... D7/356
- D404,244 S \* 1/1999 Jozancy ..... D7/354
- 6,102,238 A \* 8/2000 Brady et al. .... 220/315
- D449,958 S \* 11/2001 Liu ..... D7/356
- D480,908 S \* 10/2003 Krasne ..... D7/354
- D488,951 S \* 4/2004 Josancy ..... D7/356
- D517,857 S \* 3/2006 Poon ..... D7/356
- D520,806 S \* 5/2006 Ryan ..... D7/354

\* cited by examiner

*Primary Examiner*—Cathron C. Brooks

*Assistant Examiner*—Ricky Pham

(74) *Attorney, Agent, or Firm*—Allen, Dyer, Doppelt,  
Milbrath & Gilchrist, P.A.

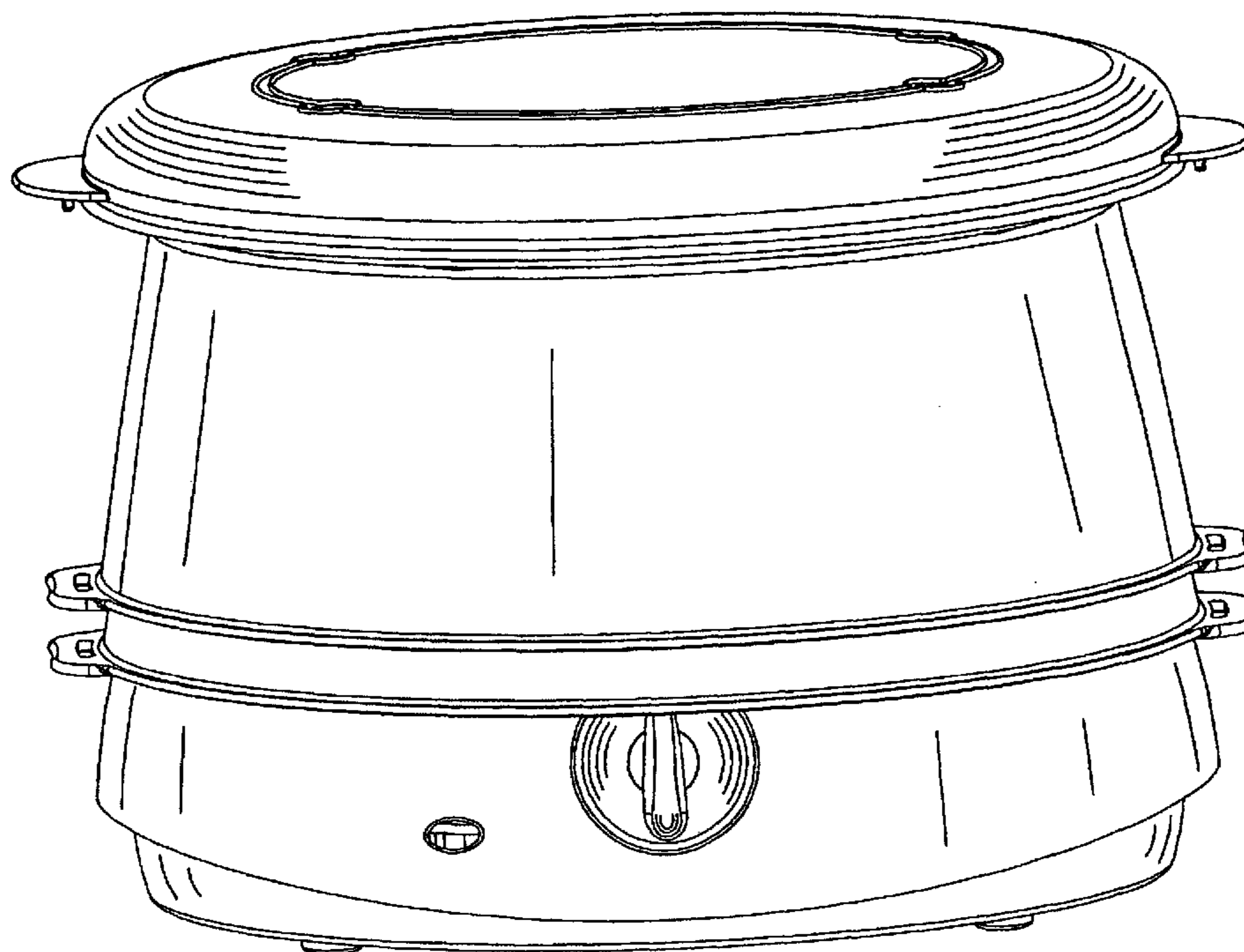
(57) **CLAIM**

The ornamental design for a food steamer, as shown and described.

**DESCRIPTION**

- FIG. 1 is a front view of the food steamer;
- FIG. 2 is a right view thereof;
- FIG. 3 is a left view thereof;
- FIG. 4 is a top view thereof;
- FIG. 5 is a bottom view thereof;
- FIG. 6 is a rear view thereof; and,
- FIG. 7 is a perspective view of the food steamer.

**1 Claim, 7 Drawing Sheets**



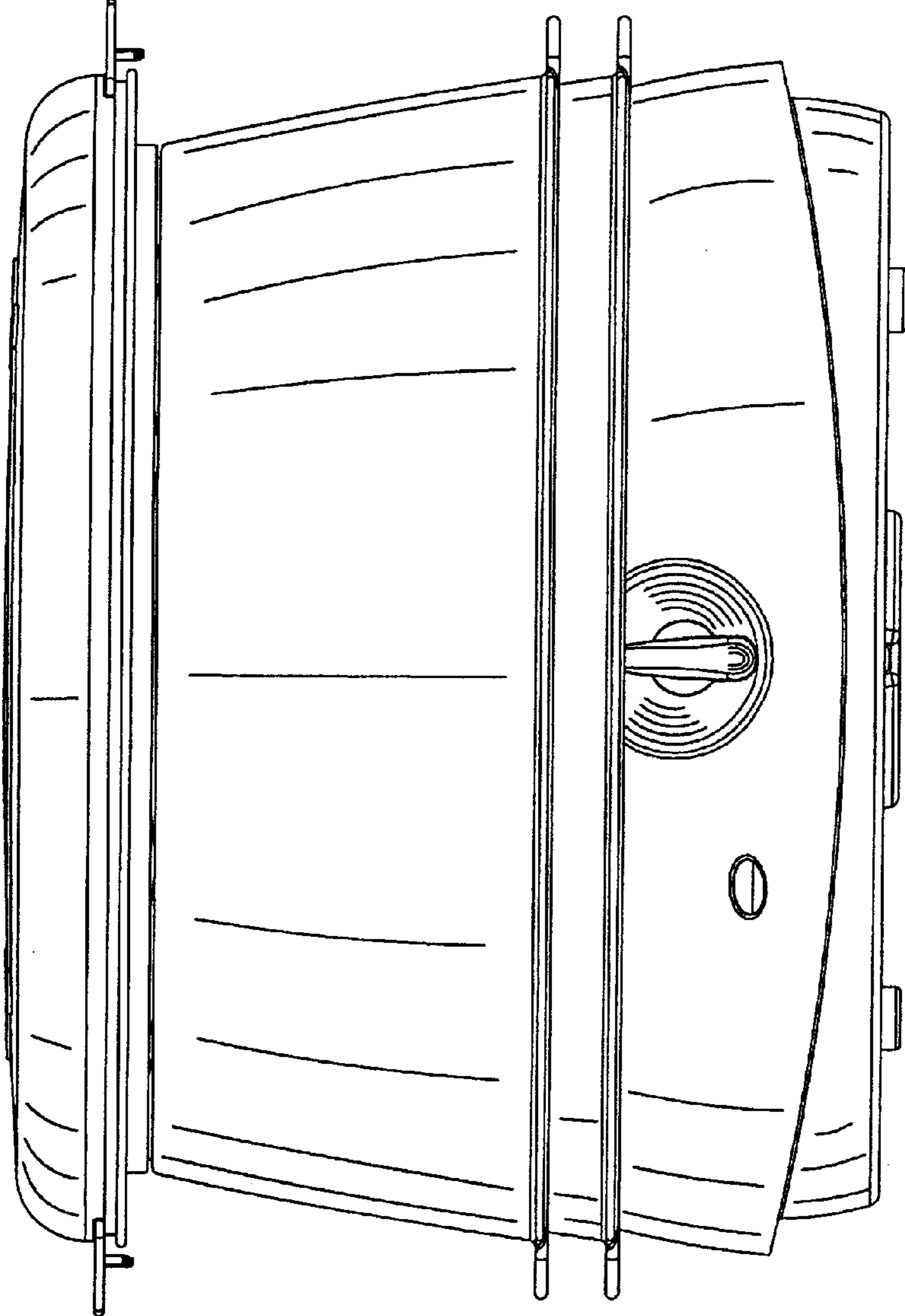


Fig. 1

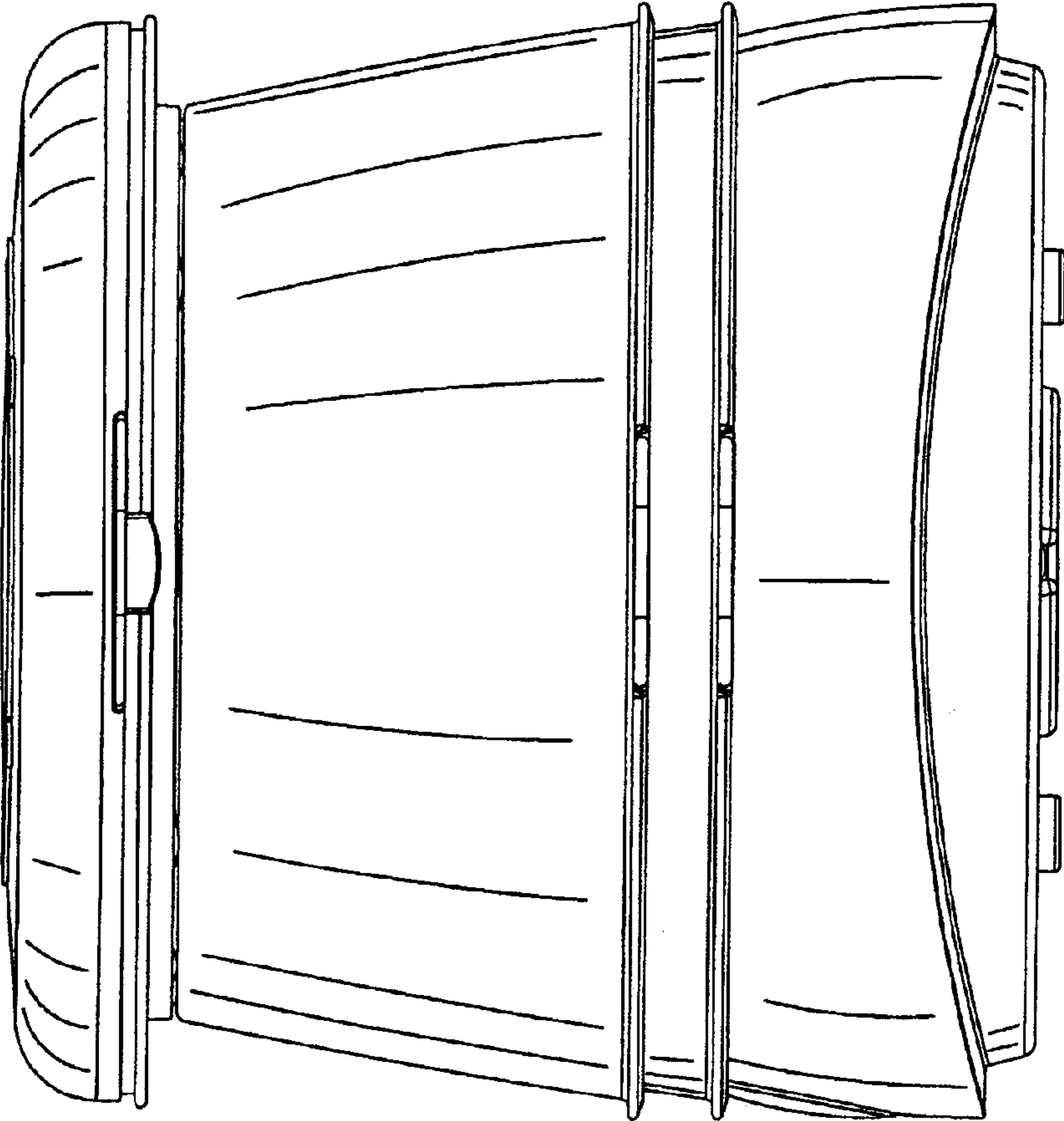


Fig. 2

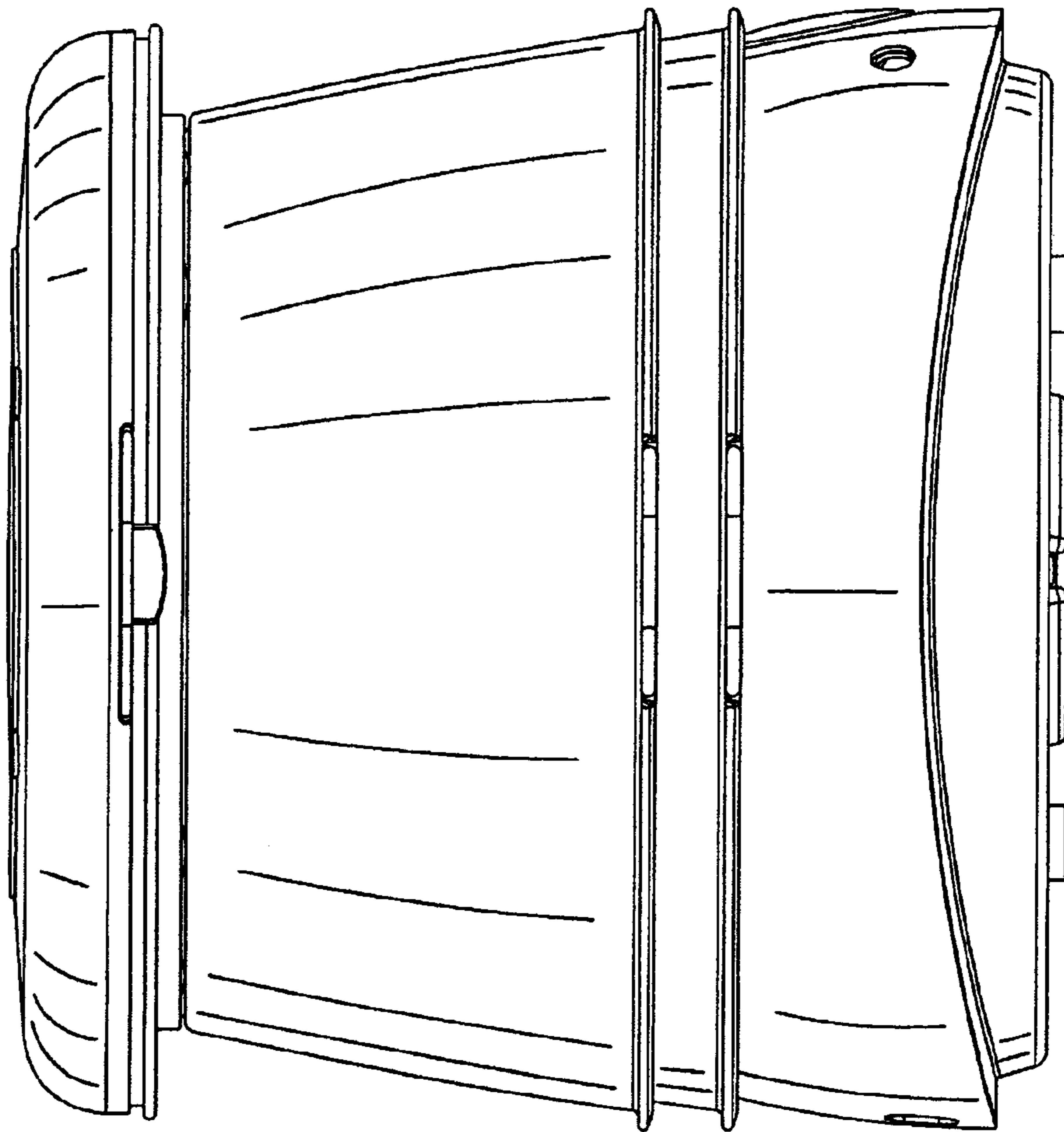


Fig. 3

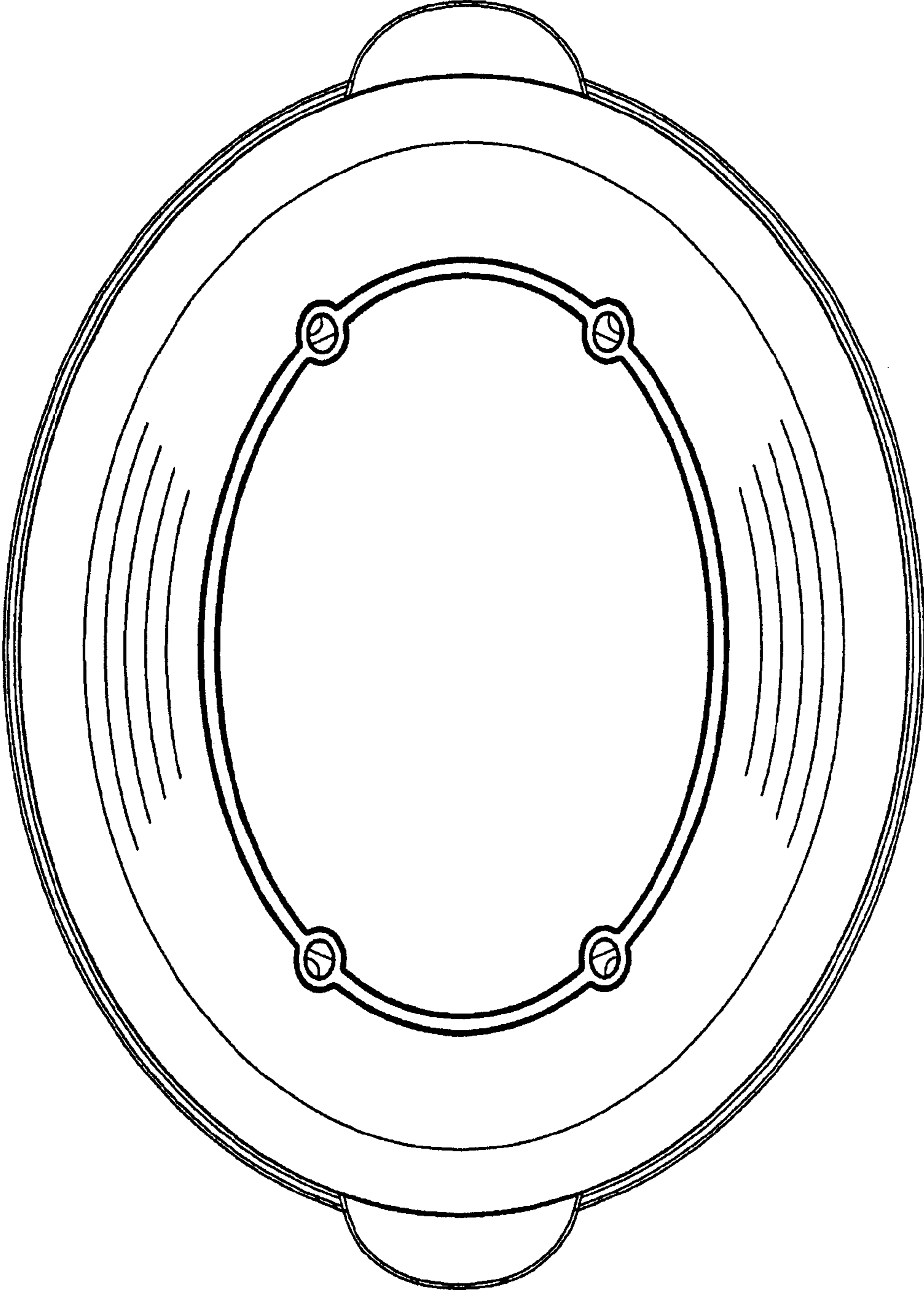


Fig. 4



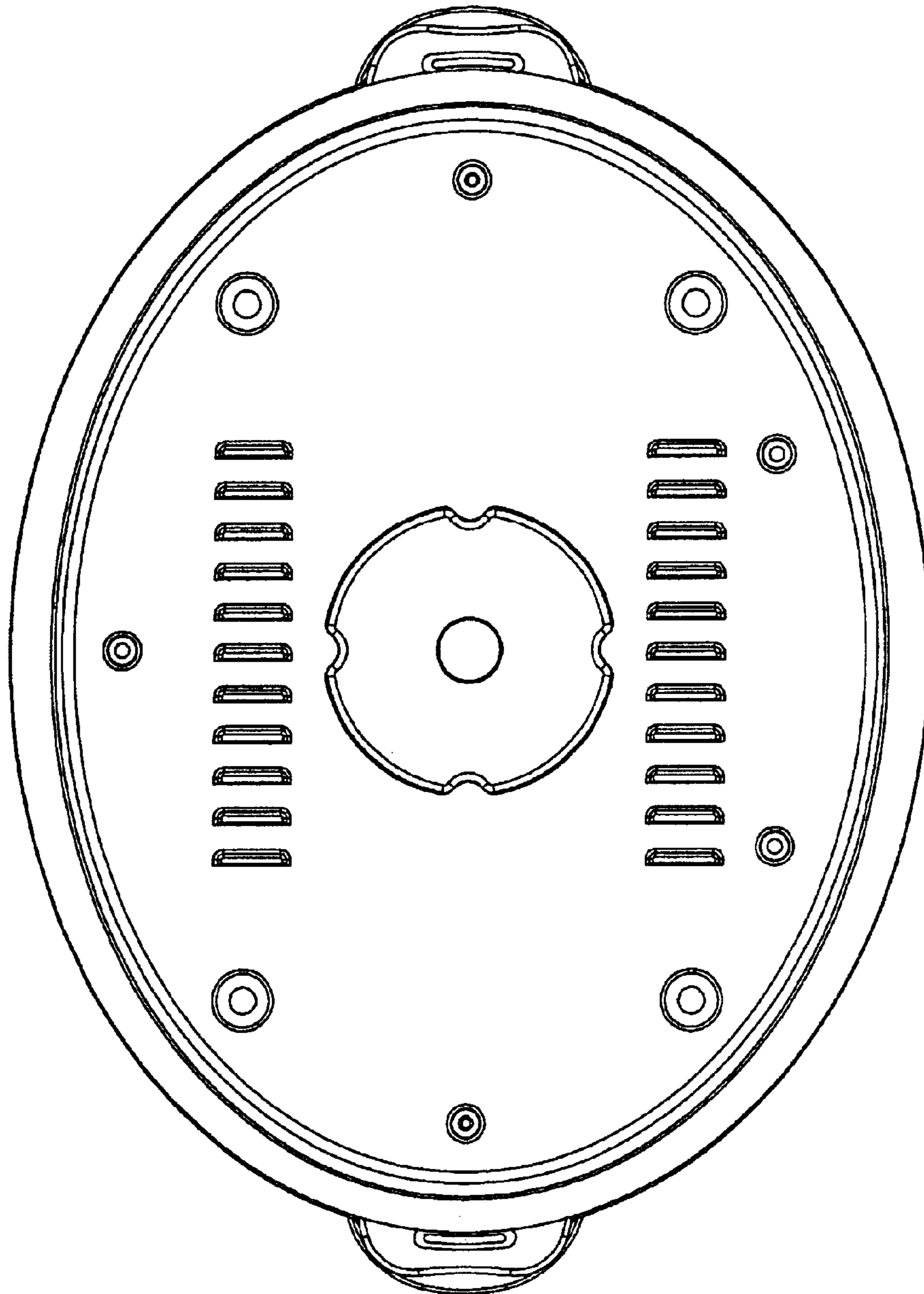


Fig. 5

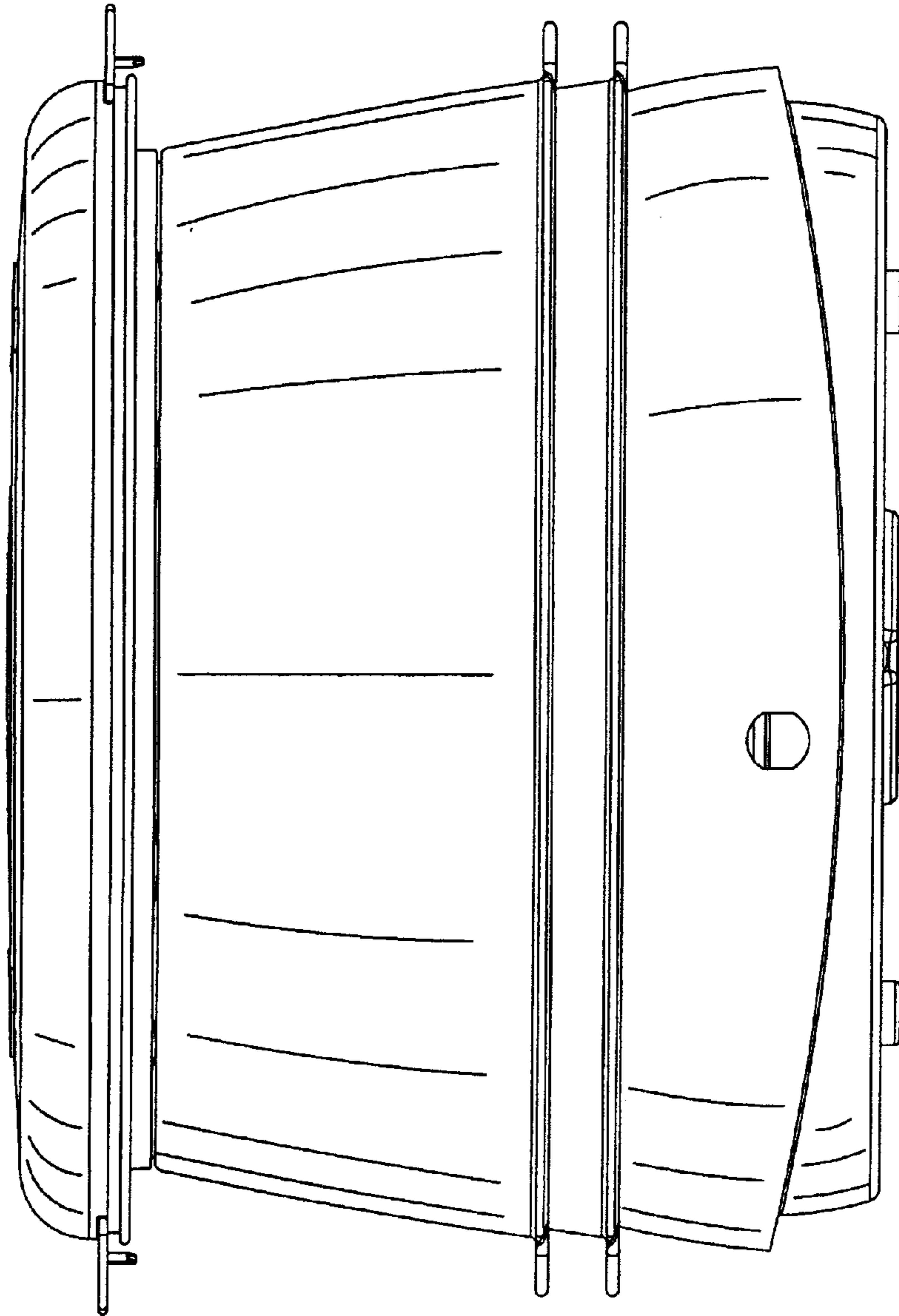


Fig.6

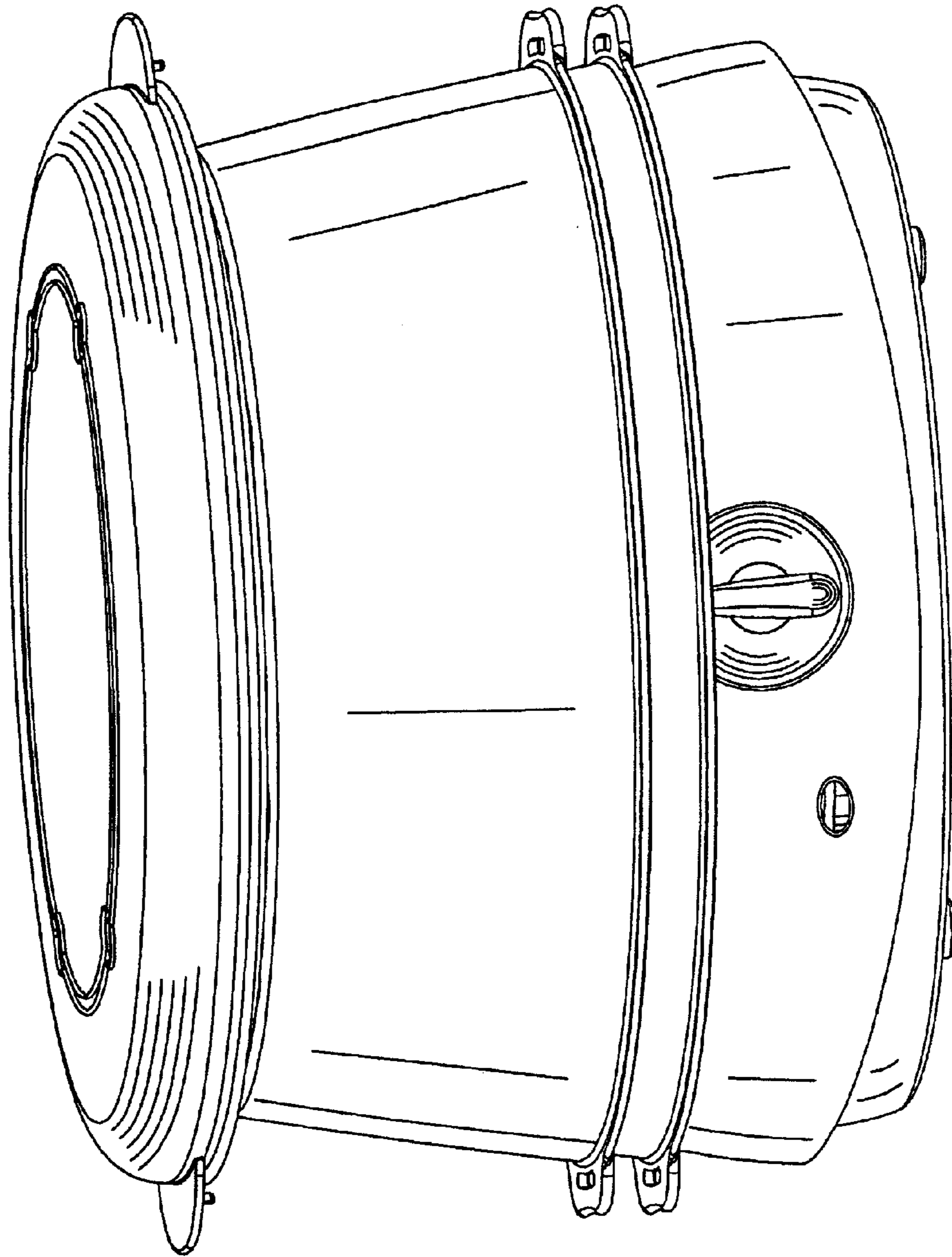


Fig. 7