



US00D534757S

(12) **United States Design Patent**  
**Mizuno**

(10) **Patent No.:** **US D534,757 S**

(45) **Date of Patent:** **\*\* Jan. 9, 2007**

(54) **MICROWAVE OVEN**

(75) Inventor: **Hiroshi Mizuno**, Nara (JP)

(73) Assignee: **Sharp Kabushiki Kaisha**, Osaka (JP)

(\*\*) Term: **14 Years**

(21) Appl. No.: **29/238,158**

(22) Filed: **Sep. 13, 2005**

(30) **Foreign Application Priority Data**

Mar. 15, 2005 (JP) ..... 2005-007663

(51) **LOC (8) Cl.** ..... **07-02**

(52) **U.S. Cl.** ..... **D7/351**

(58) **Field of Classification Search** ..... D7/350.1,

D7/350.3, 350.4, 351, 402, 405; 126/19 M,

126/273 E; 219/739-740, 756-758, 391

See application file for complete search history.

(56) **References Cited**

**U.S. PATENT DOCUMENTS**

- D294,327 S \* 2/1988 Yoo ..... D7/351
- D329,353 S 9/1992 Yamada
- D334,688 S 4/1993 Kitae et al.
- D335,064 S 4/1993 Sugiyama et al.
- D352,636 S 11/1994 Nakamura
- D353,510 S 12/1994 Nakamura
- D353,511 S 12/1994 Saimen
- D353,512 S 12/1994 Saimen et al.
- D356,006 S 3/1995 Saimen et al.
- D357,159 S 4/1995 Mitsui et al.
- D360,103 S 7/1995 Kim
- D367,991 S 3/1996 Saimen
- D367,992 S 3/1996 Saimen
- D368,405 S 4/1996 Tada
- D368,406 S 4/1996 Nakamura
- D373,502 S 9/1996 Fujii et al.
- D380,644 S 7/1997 Tsuda et al.
- D390,411 S 2/1998 Nakagawa
- D390,412 S 2/1998 Takimoto
- D409,437 S 5/1999 Nakano et al.
- D410,813 S 6/1999 Fujii
- D410,814 S 6/1999 Koike

- D411,074 S 6/1999 Sakai et al.
- D411,706 S 6/1999 Koike
- D423,868 S 5/2000 Shoji et al.
- D425,750 S 5/2000 Koike
- D426,102 S 6/2000 Hamada et al.
- D431,957 S 10/2000 Taira
- D433,268 S 11/2000 Taira
- D433,269 S 11/2000 Taira
- D435,793 S 1/2001 Taira
- D435,999 S 1/2001 Noda et al.
- D436,285 S 1/2001 Taira
- D442,424 S 5/2001 Naganuma
- D442,821 S 5/2001 Naganuma
- D461,091 S 8/2002 Chen
- D462,868 S 9/2002 Noda et al.
- D462,869 S 9/2002 Konno et al.
- D468,578 S 1/2003 Fukuda et al.
- D468,955 S 1/2003 Park
- D477,964 S 8/2003 Kanza
- D478,465 S \* 8/2003 Kanza ..... D7/351
- D509,399 S \* 9/2005 Kanza ..... D7/351
- D518,680 S \* 4/2006 Kim ..... D7/351
- D521,799 S \* 5/2006 Ledingham et al. .... D7/350.1
- 2002/0070212 A1 6/2002 Choi et al.
- 2004/0000546 A1 1/2004 Yang et al.

\* cited by examiner

*Primary Examiner*—Ruth McInroy

(74) *Attorney, Agent, or Firm*—Nixon & Vanderhye, PC

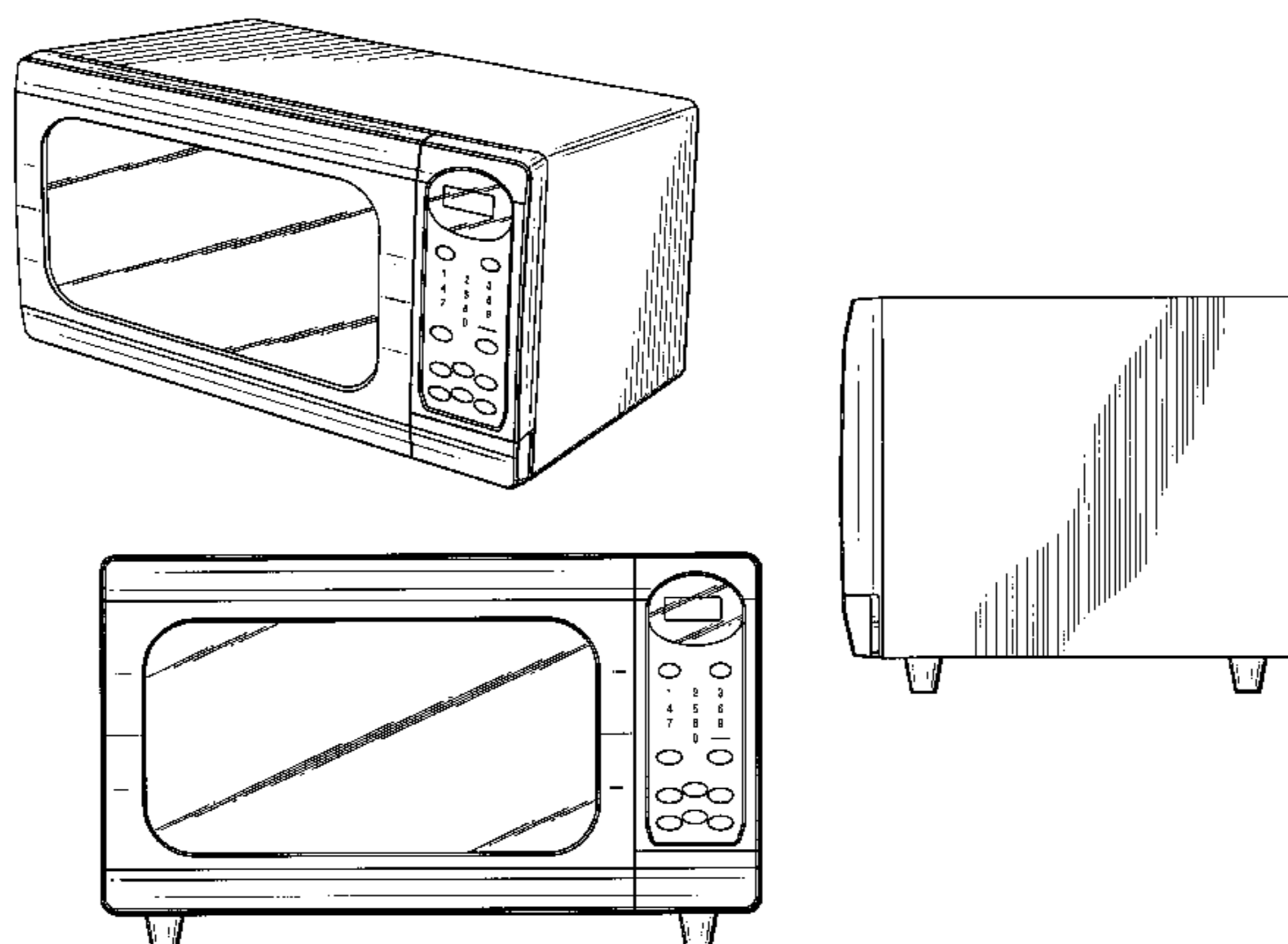
(57) **CLAIM**

The ornamental design for a microwave oven, as shown and described.

**DESCRIPTION**

FIG. 1 is a top, front and right side perspective view of a microwave oven according to my design;  
 FIG. 2 is a front elevational view thereof;  
 FIG. 3 is a rear elevational view thereof;  
 FIG. 4 is a top plan view thereof;  
 FIG. 5 is a bottom plan view thereof;  
 FIG. 6 is a left side elevational view thereof; and,  
 FIG. 7 is a right side elevational view thereof.

**1 Claim, 4 Drawing Sheets**



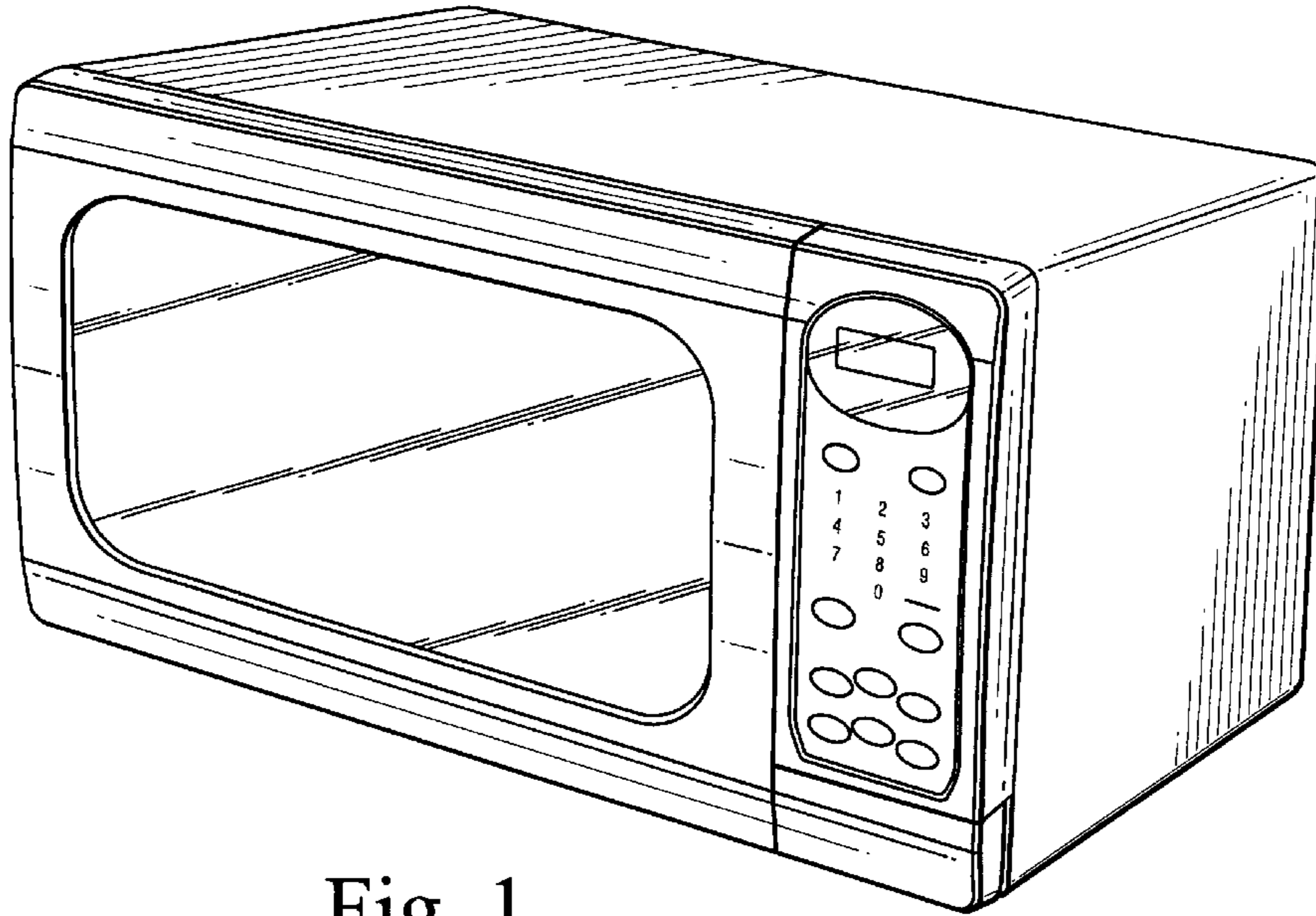


Fig. 1

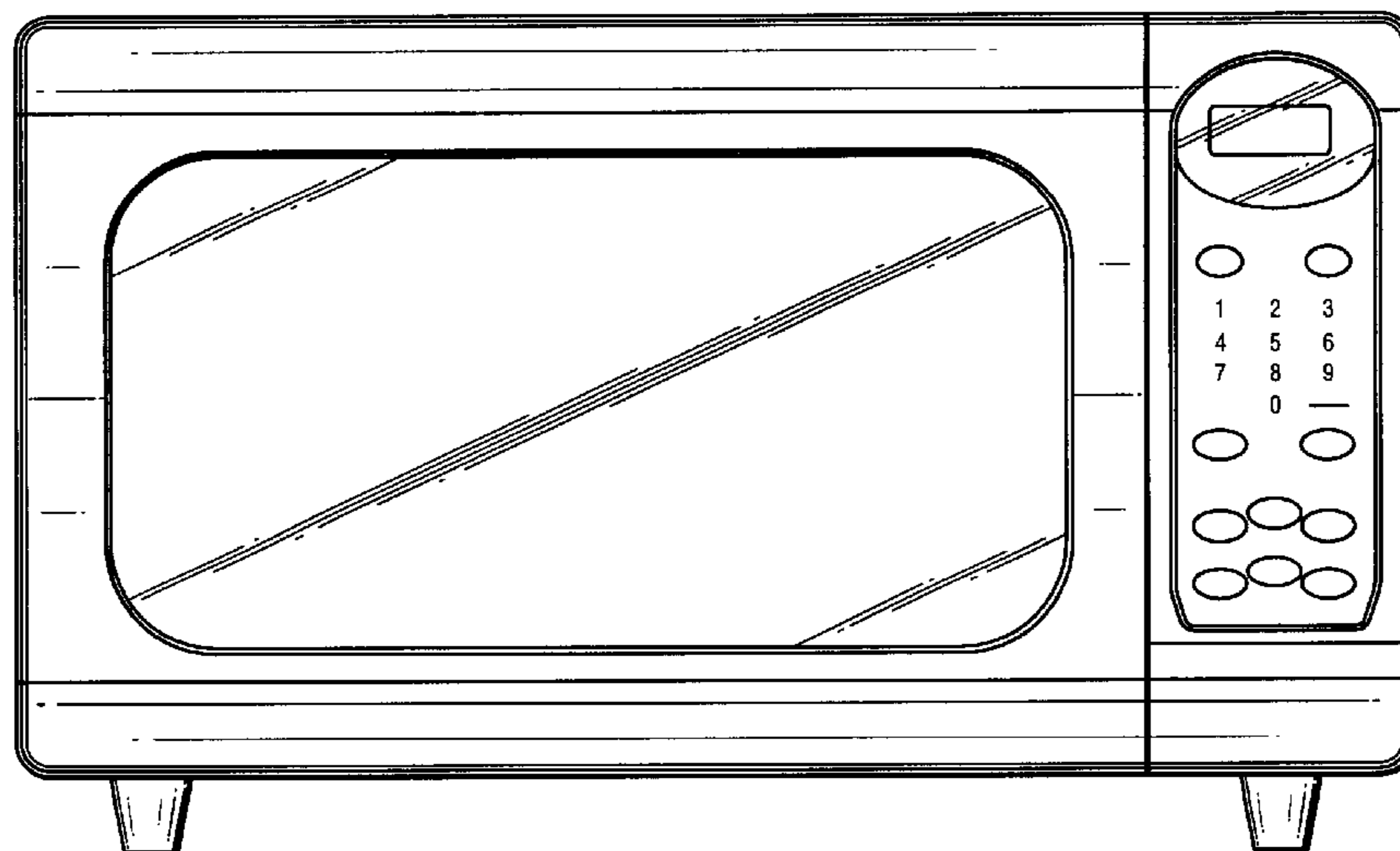


Fig. 2

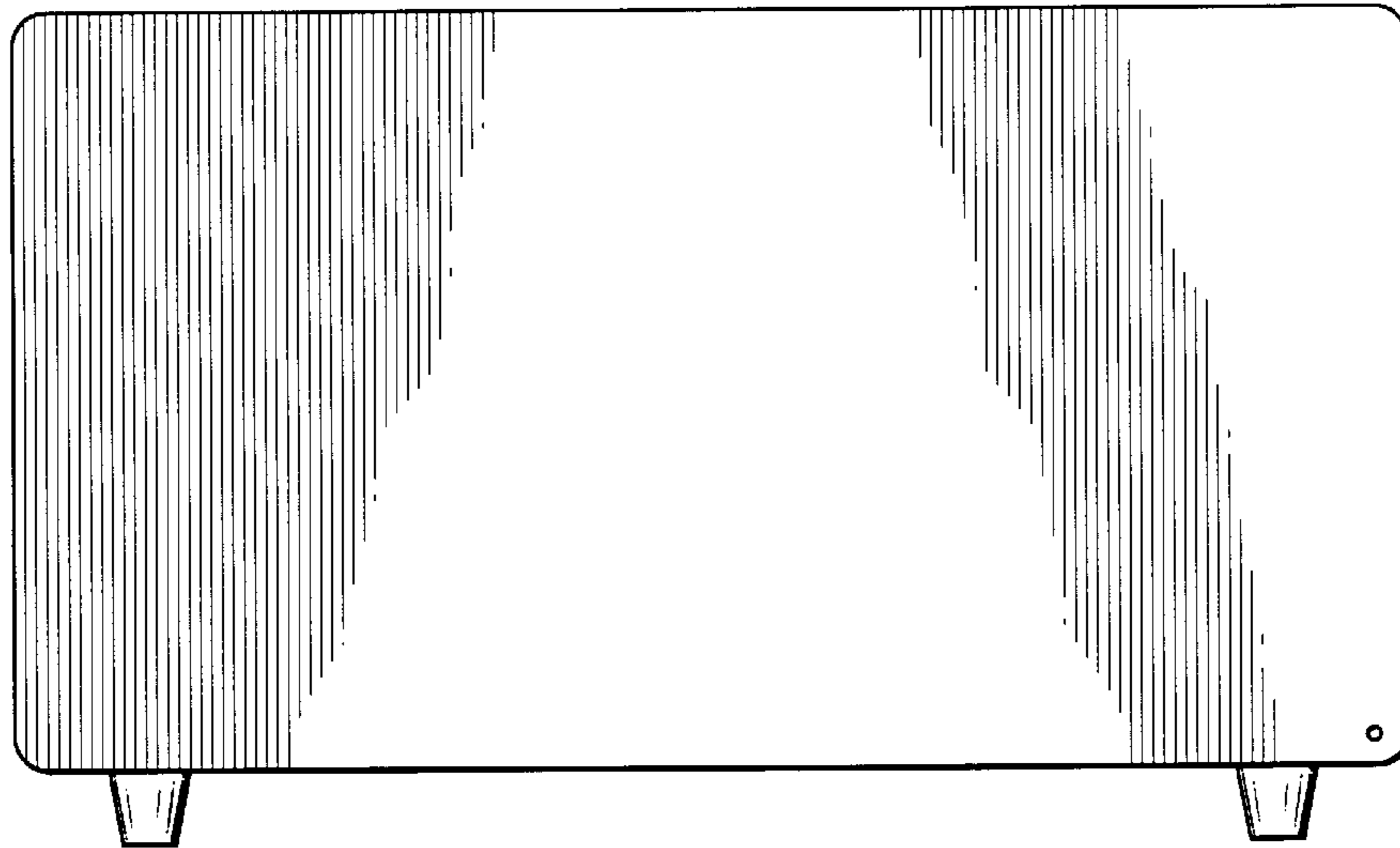


Fig. 3

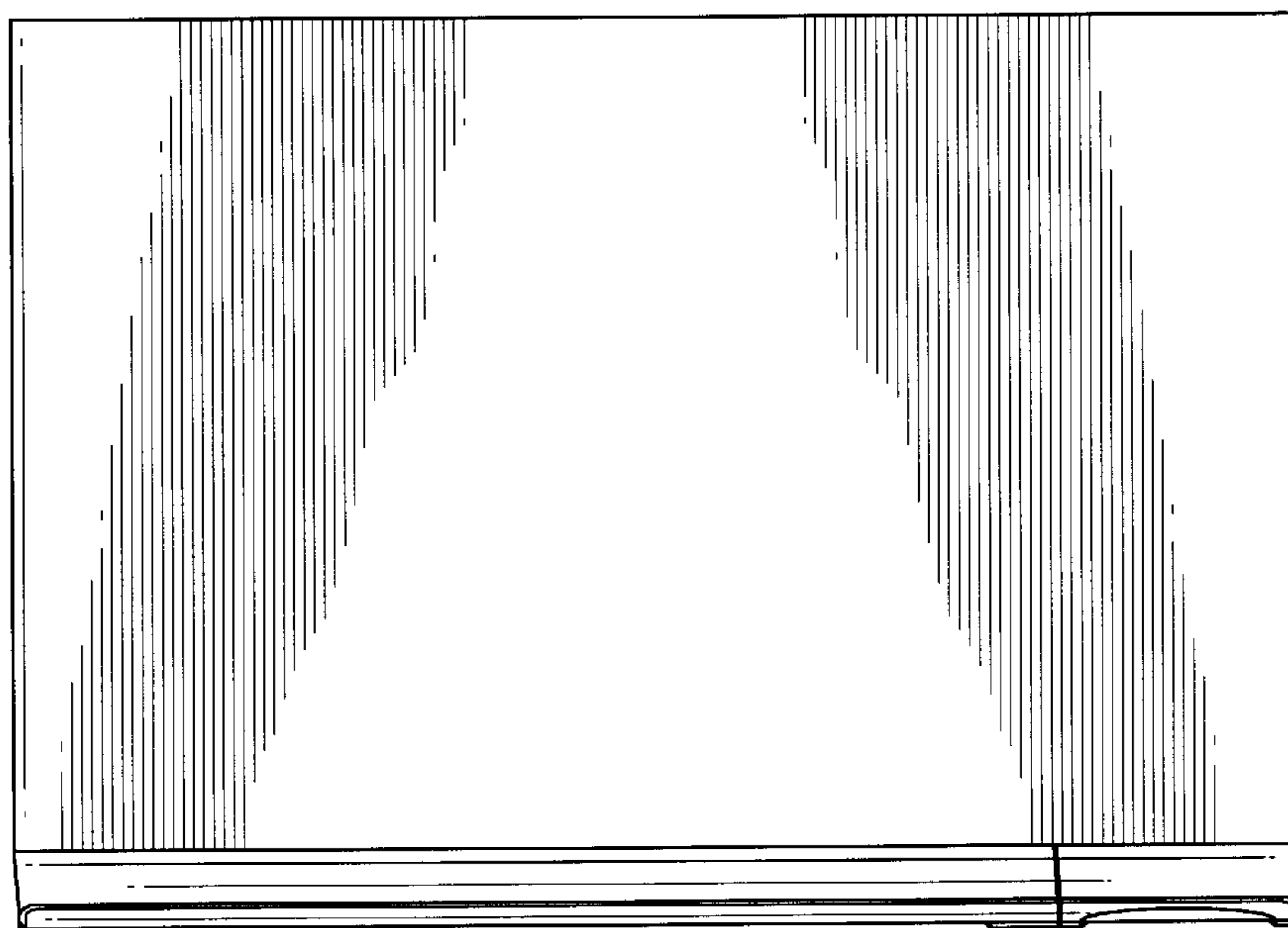


Fig. 4



Fig. 5

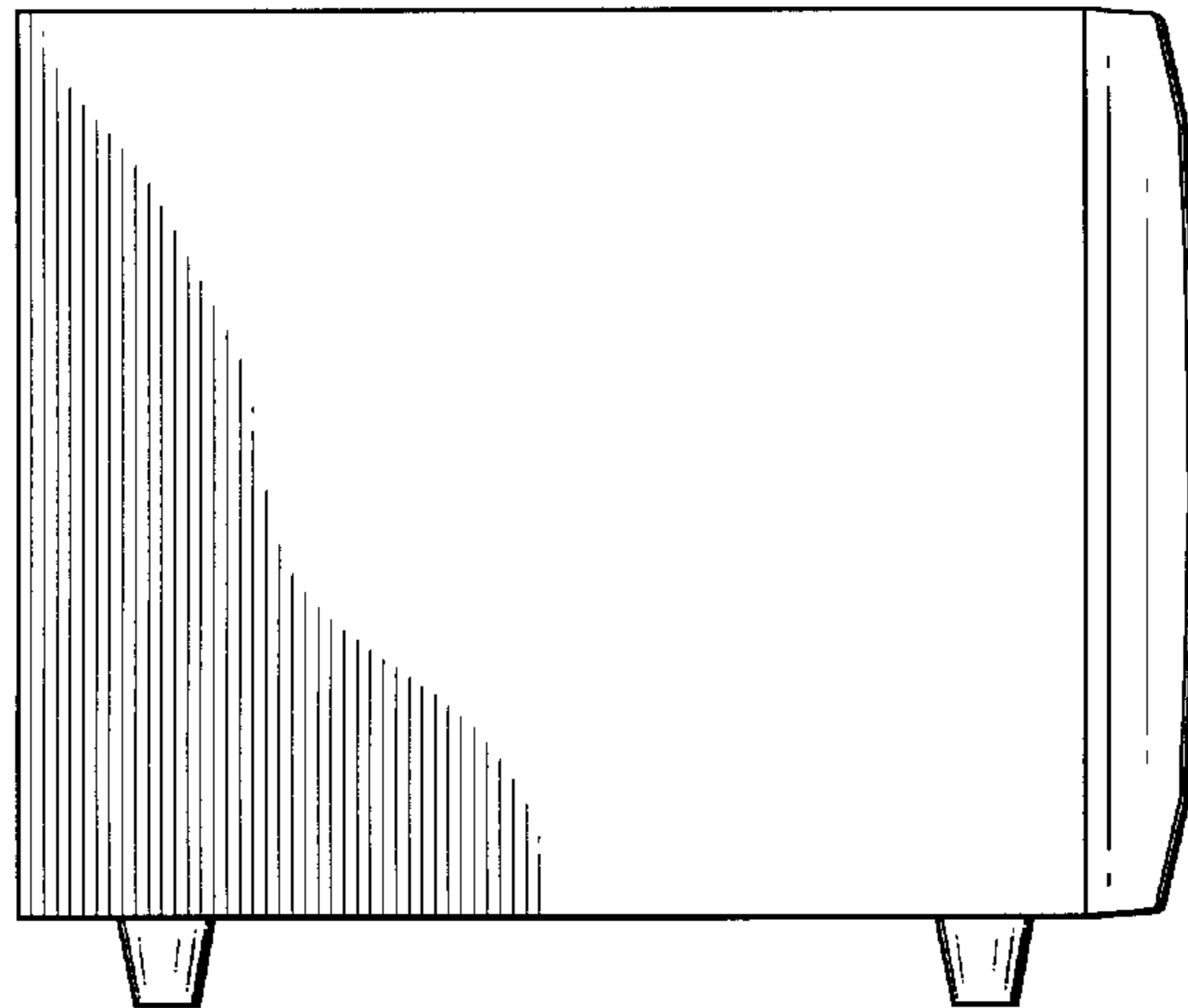


Fig. 6

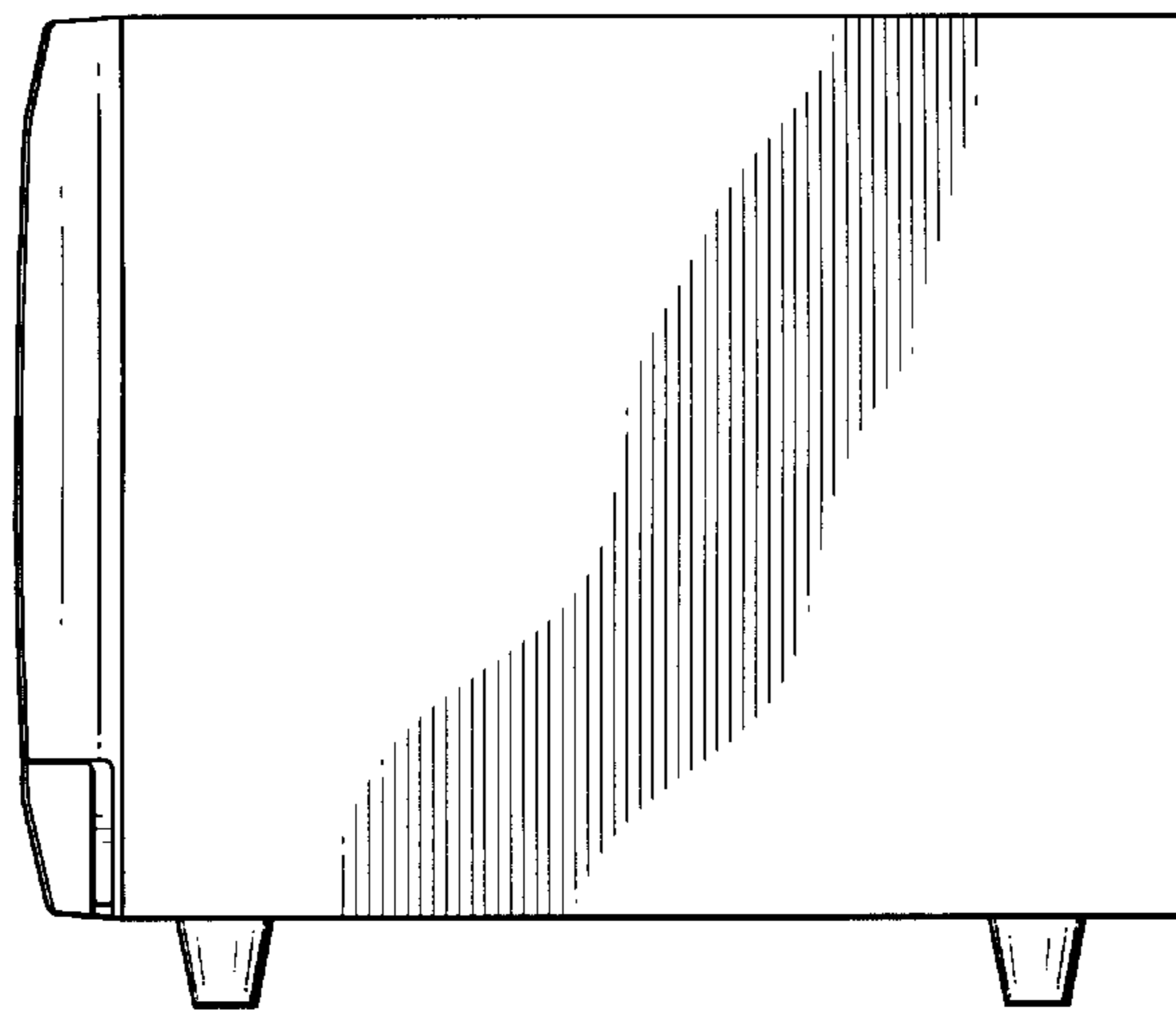


Fig. 7