



US00D534753S

(12) **United States Design Patent** (10) **Patent No.:** **US D534,753 S**
Christianson (45) **Date of Patent:** **** Jan. 9, 2007**

(54) **SOAP DISPENSER**

(75) Inventor: **Tristan M. Christianson**, San Francisco, CA (US)

(73) Assignee: **Sharper Image Corporation**, San Francisco, CA (US)

(**) Term: **14 Years**

(21) Appl. No.: **29/246,247**

(22) Filed: **Mar. 27, 2006**

Related U.S. Application Data

(63) Continuation of application No. 29/235,271, filed on Jul. 29, 2005.

(51) **LOC (8) Cl.** **23-02**

(52) **U.S. Cl.** **D6/542**

(58) **Field of Classification Search** D6/542-545;
221/282; 222/14, 173, 146.3, 628, 251, 181.1,
222/181.3; D9/682, 688, 690, 691, 448, 449
See application file for complete search history.

(56) **References Cited**

U.S. PATENT DOCUMENTS

D106,053	S	*	9/1937	Maguire	D6/542
D332,739	S	*	1/1993	Petschek	D9/688
D375,643	S	*	11/1996	Copeland et al.	D6/542
D396,590	S	*	8/1998	Warshawsky	D6/542
D416,154	S	*	11/1999	Diehl	D6/542
D426,093	S	*	6/2000	Cayouette	D6/542
D438,041	S	*	2/2001	Huang	D6/542
D483,974	S		12/2003	Reed		
D486,335	S	*	2/2004	Sonneman	D6/542
D490,262	S		5/2004	Graves		
2004/0149779	A1		8/2004	Boll et al.		

OTHER PUBLICATIONS

“A Touch Free Way to Dispense Soap or Lotion!”, by Smarthome <http://www.smarthome.com/9116.html>, printed on Nov. 29, 2005.

* cited by examiner

Primary Examiner—Brian N Vinson

(74) *Attorney, Agent, or Firm*—Bell, Boyd & Lloyd, LLC

(57) **CLAIM**

The ornamental design for the soap dispenser, as shown and described herein.

DESCRIPTION

FIG. 1 is a perspective view of the present soap dispenser, that portion of the soap dispenser shown in phantom is not part of the design sought to be patented and is provided for environmental purposes only;

FIG. 2 is a front elevational view thereof, that portion of the soap dispenser shown in phantom is not part of the design sought to be patented and is provided for environmental purposes only;

FIG. 3 is a rear elevational view thereof, that portion of the soap dispenser shown in phantom is not part of the design sought to be patented and is provided for environmental purposes only;

FIG. 4 is a top plan view thereof, that portion of the soap dispenser shown in phantom is not part of the design sought to be patented and is provided for environmental purposes only;

FIG. 5 is a bottom plan view thereof, that portion of the soap dispenser shown in phantom is not part of the design sought to be patented and is provided for environmental purposes only; and,

FIG. 6 is a right side view thereof, that portion of the soap dispenser shown in phantom is not part of the design sought to be patented and is provided for environmental purposes only, and wherein the left side is a mirror image thereof.

1 Claim, 4 Drawing Sheets

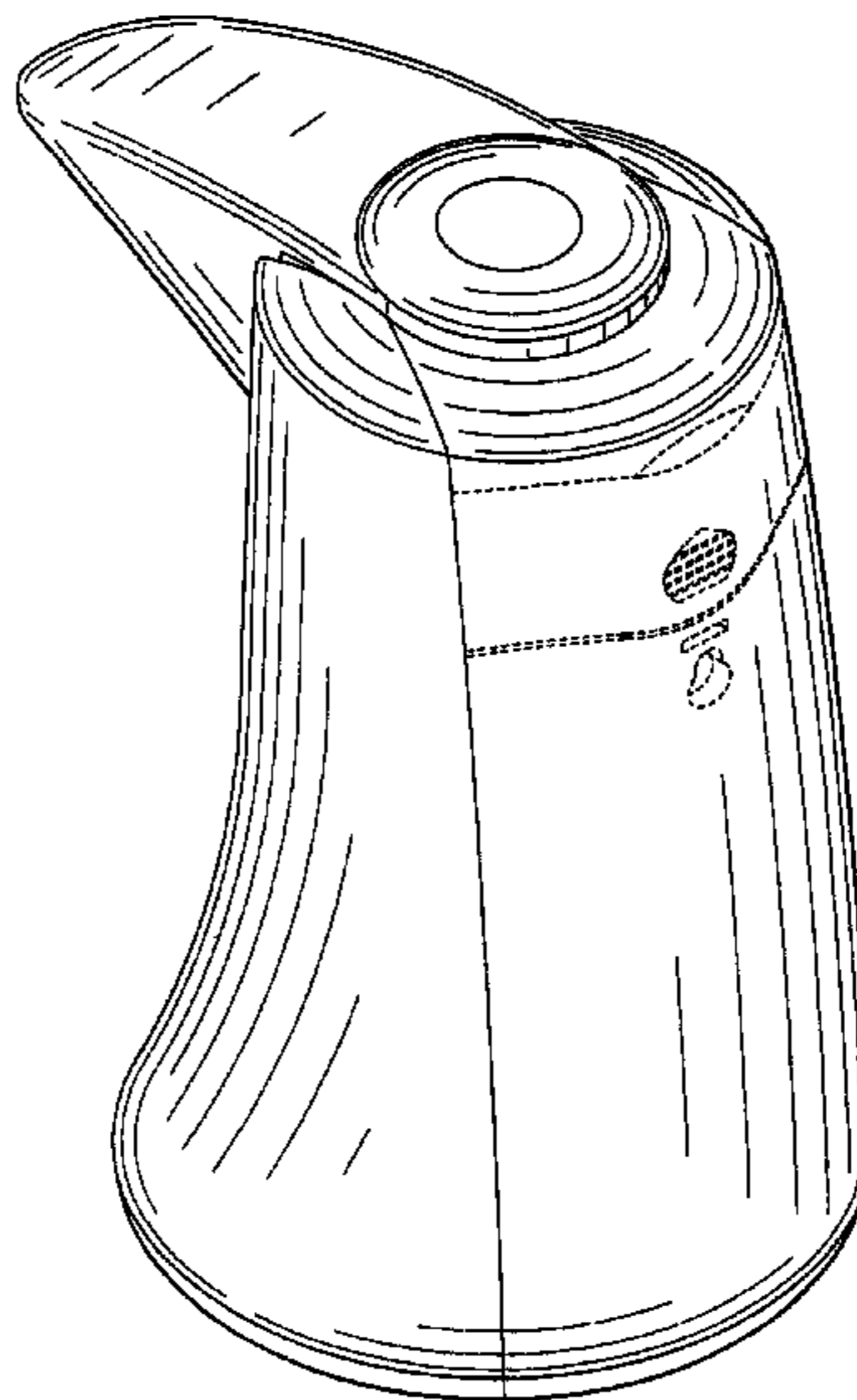


FIG. 1

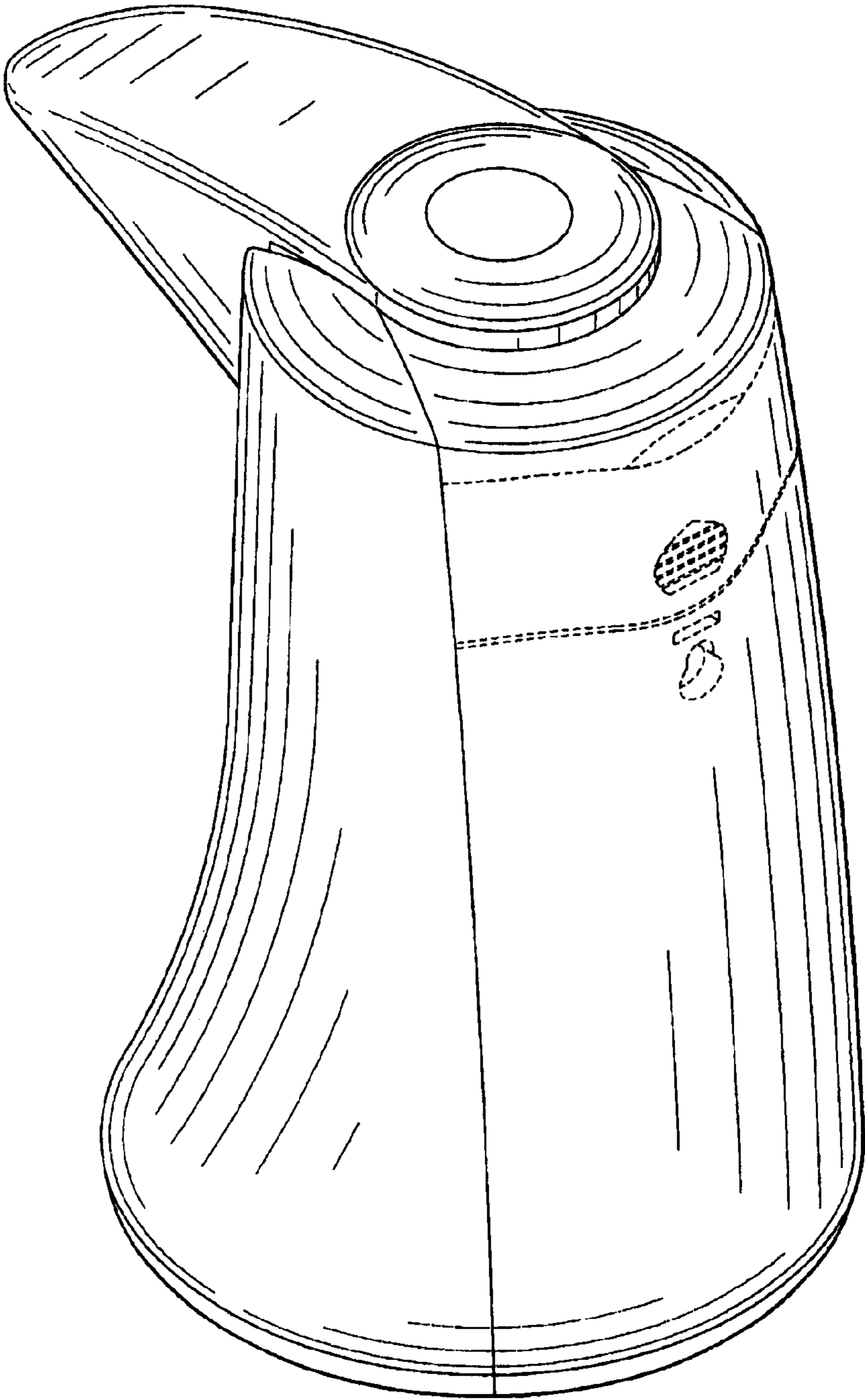


FIG. 3

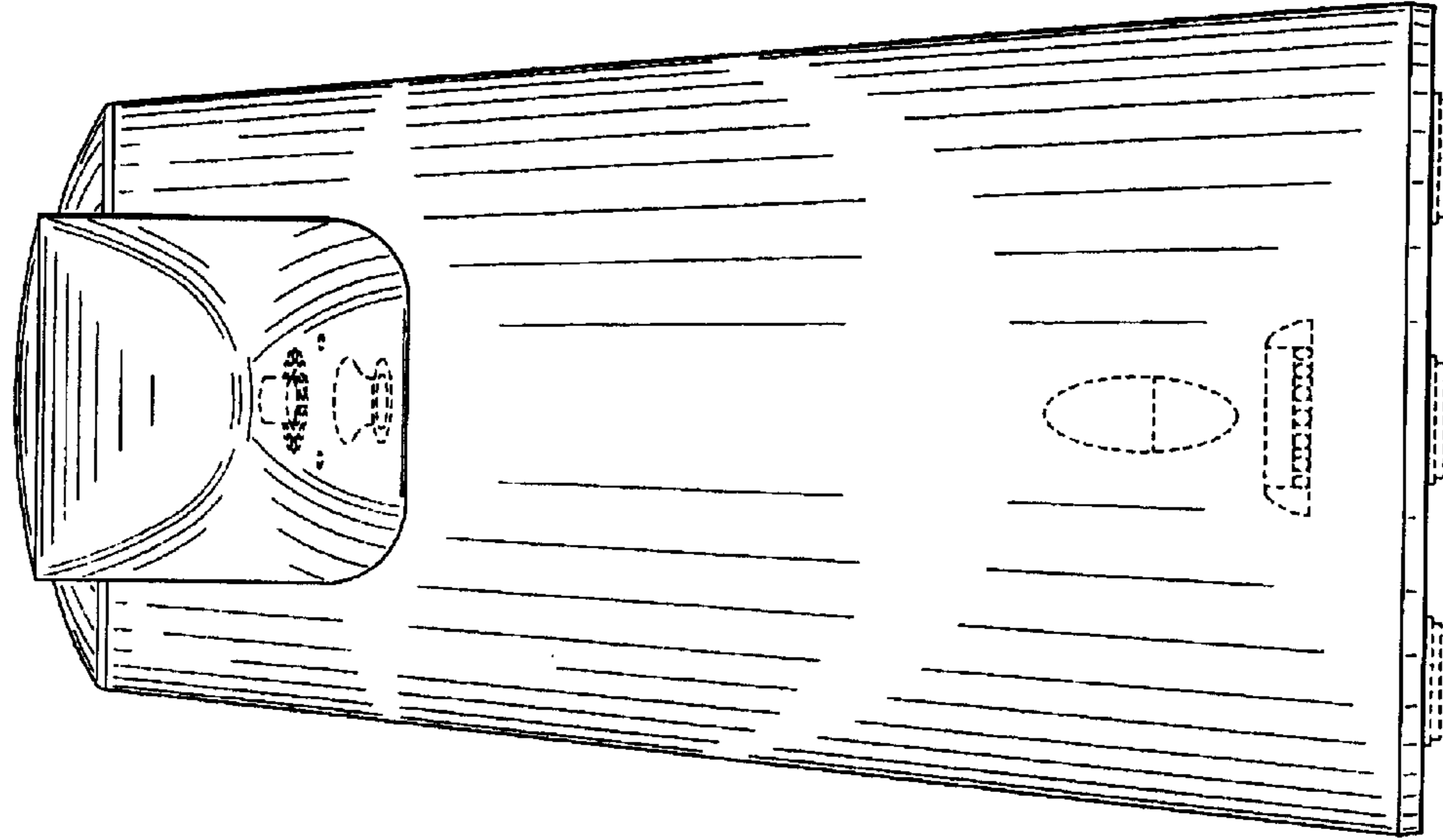


FIG. 2

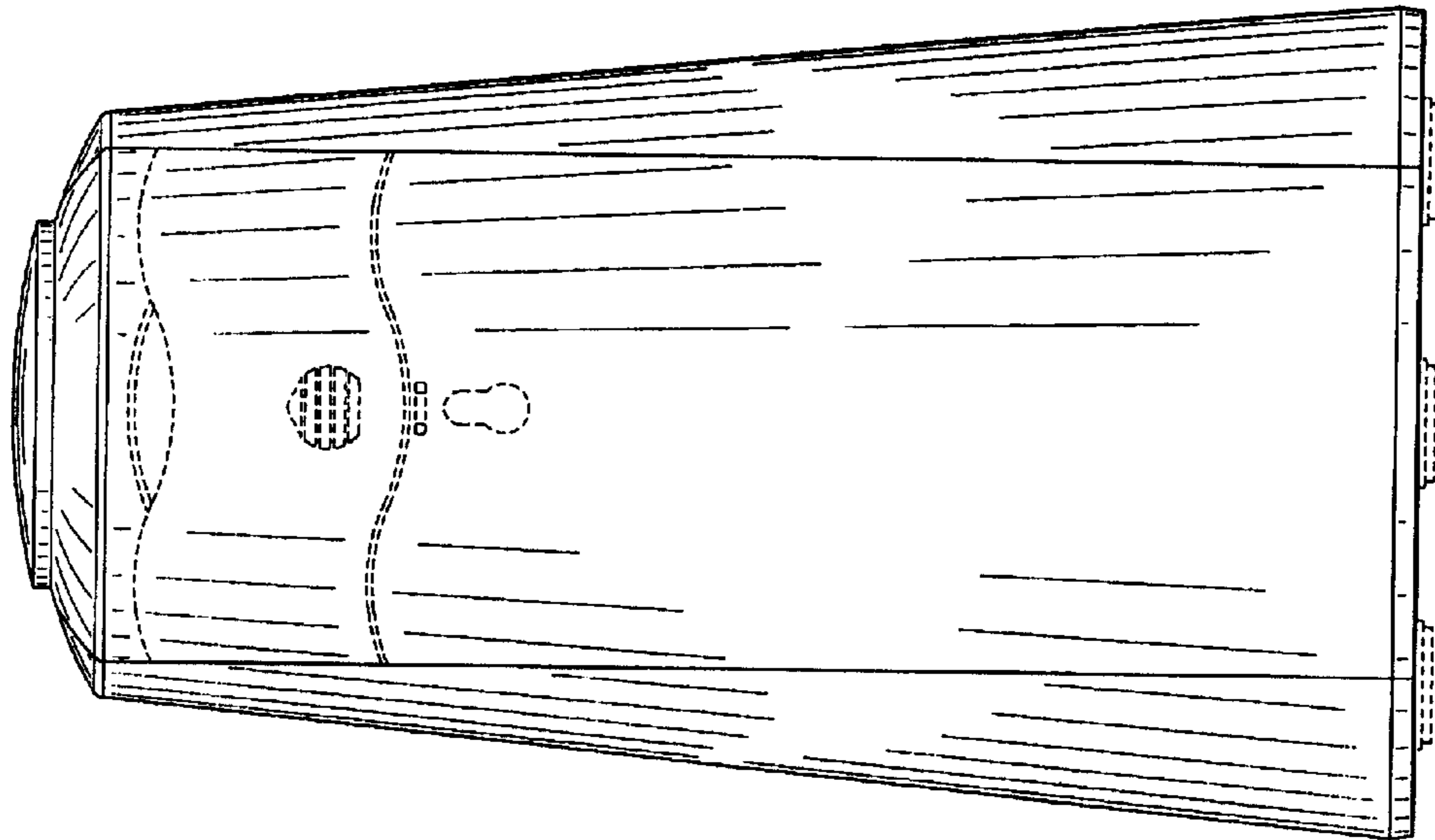


FIG. 4

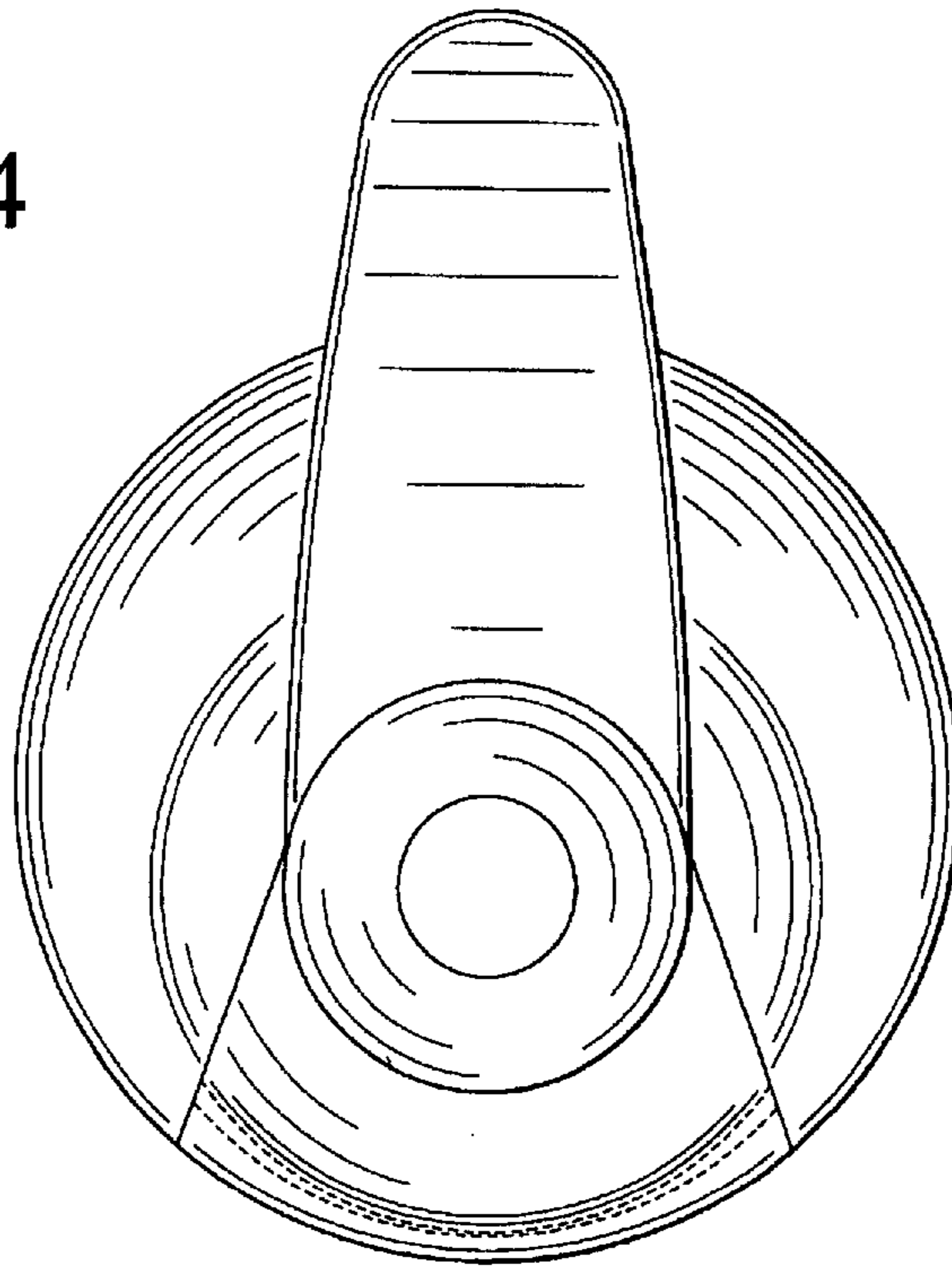


FIG. 5

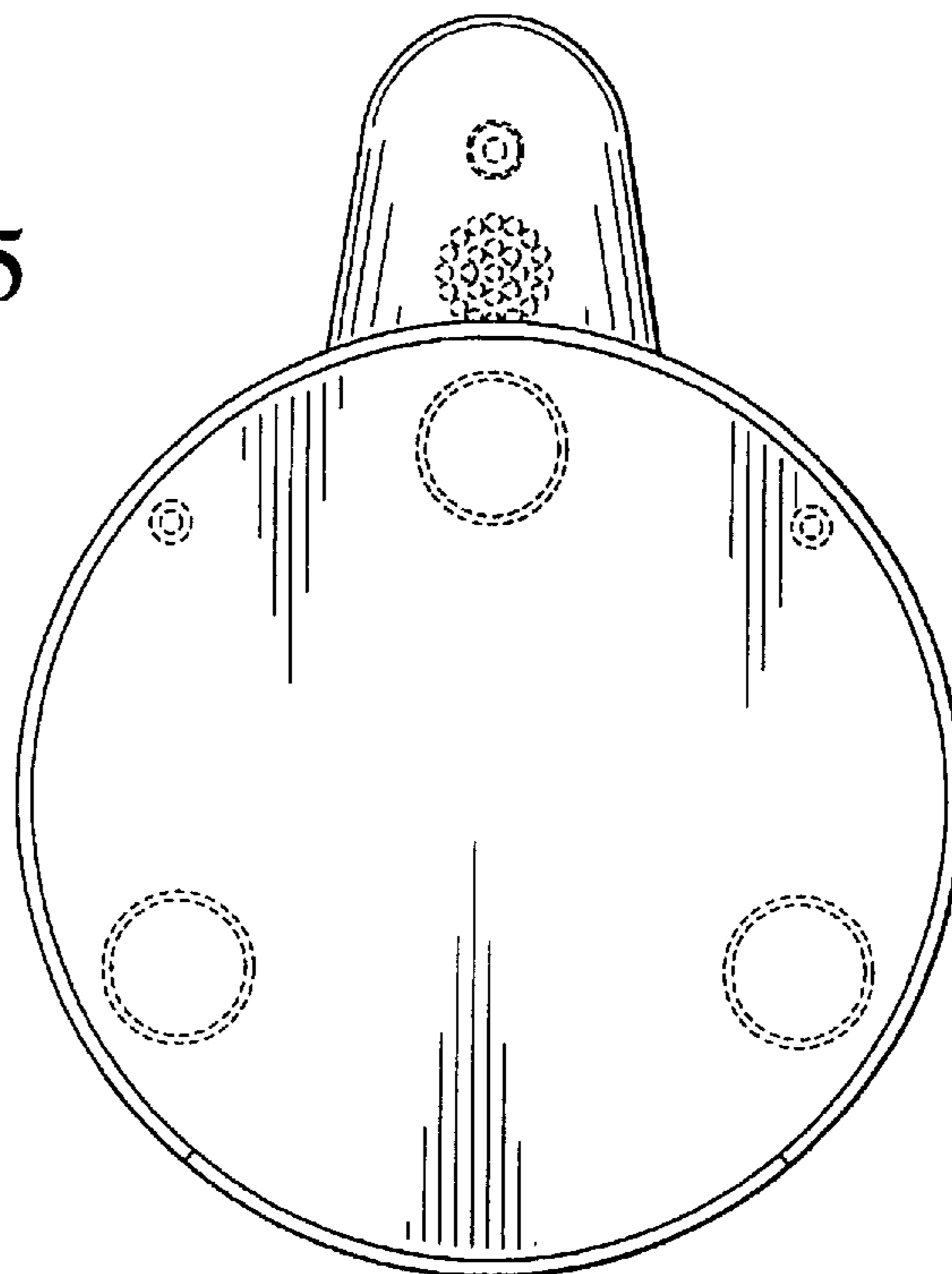


FIG. 6

