

US00D534749S

(12) **United States Design Patent**  
**Wang**

(10) **Patent No.:** **US D534,749 S**

(45) **Date of Patent:** **\*\* Jan. 9, 2007**

(54) **PLAYPEN**

(76) **Inventor:** **kun Wang**, P.O. Box 697, Fongyuan City, Taichung County (TW), 420

(\*\*) **Term:** **14 Years**

(21) **Appl. No.:** **29/227,045**

(22) **Filed:** **Apr. 6, 2005**

(51) **LOC (8) Cl.** ..... **06-06**

(52) **U.S. Cl.** ..... **D6/503; D6/331**

(58) **Field of Classification Search** ..... D6/382, D6/390, 391, 311; 5/93.1, 97, 98.1, 99.1  
See application file for complete search history.

(56) **References Cited**

**U.S. PATENT DOCUMENTS**

|           |   |   |         |        |       |        |
|-----------|---|---|---------|--------|-------|--------|
| 5,353,451 | A | * | 10/1994 | Hsiung | ..... | 5/99.1 |
| 5,446,931 | A | * | 9/1995  | Wei    | ..... | 5/98.1 |
| 5,542,134 | A | * | 8/1996  | Wang   | ..... | 5/99.1 |
| 5,699,997 | A | * | 12/1997 | Huang  | ..... | 256/26 |

|              |    |   |         |                    |       |        |
|--------------|----|---|---------|--------------------|-------|--------|
| D448,218     | S  | * | 9/2001  | Celestina-Krevh    | ..... | D6/495 |
| 6,954,949    | B1 | * | 10/2005 | Chen               | ..... | 5/99.1 |
| 2003/0061657 | A1 | * | 4/2003  | Longenecker et al. | ..... | 5/99.1 |

\* cited by examiner

*Primary Examiner*—Janice E. Seeger

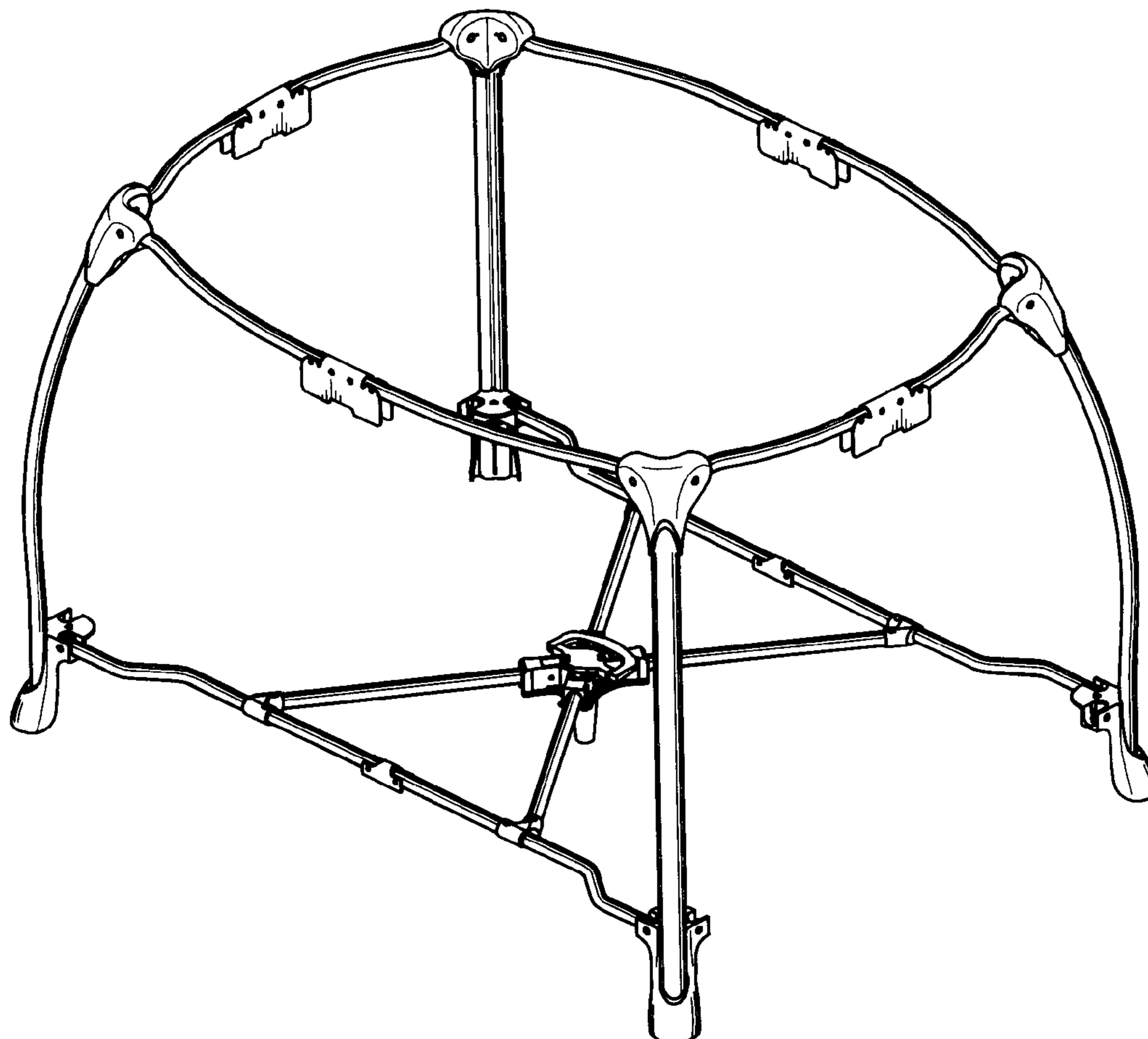
(57) **CLAIM**

The ornamental design for a playpen, as shown.

**DESCRIPTION**

FIG. 1 is a perspective view of a playpen showing my new design;  
FIG. 2 is a right side elevational view thereof;  
FIG. 3 is a top plan view thereof;  
FIG. 4 is a front elevational view thereof;  
FIG. 5 is a bottom plan view thereof;  
FIG. 6 is a left side elevational view thereof; and,  
FIG. 7 is a rear elevational view thereof.

**1 Claim, 4 Drawing Sheets**



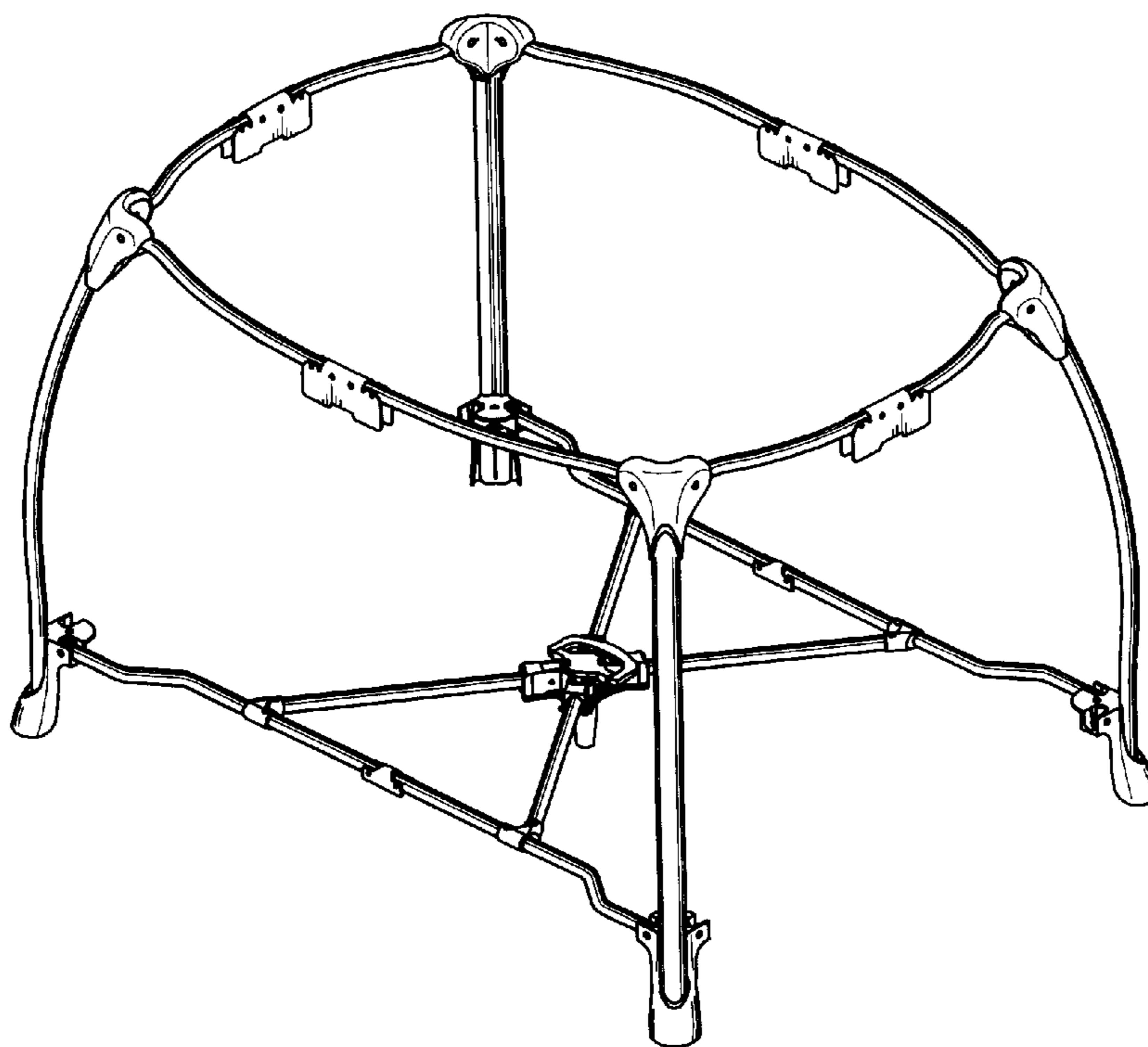


FIG. 1

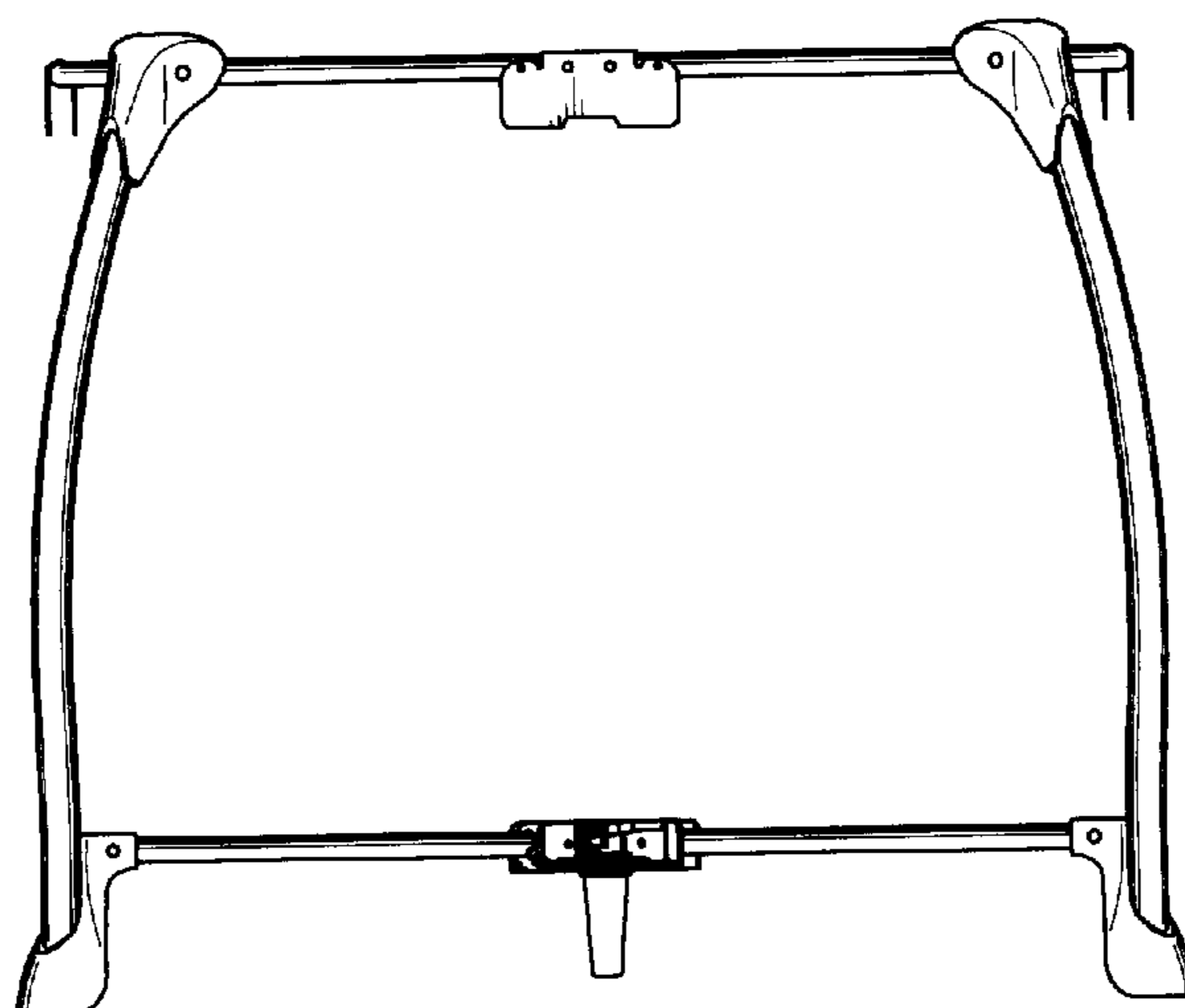


FIG. 2

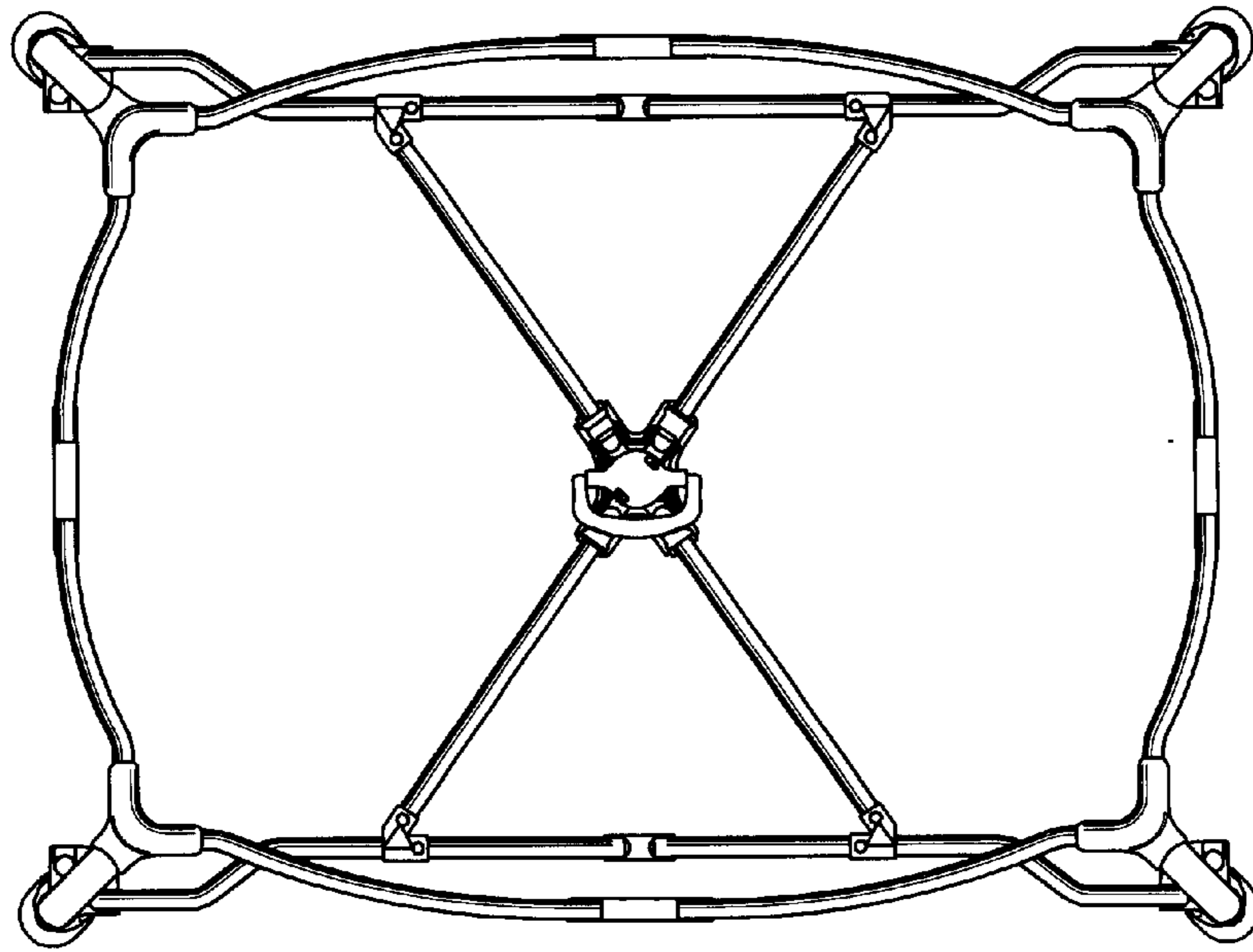


FIG. 3

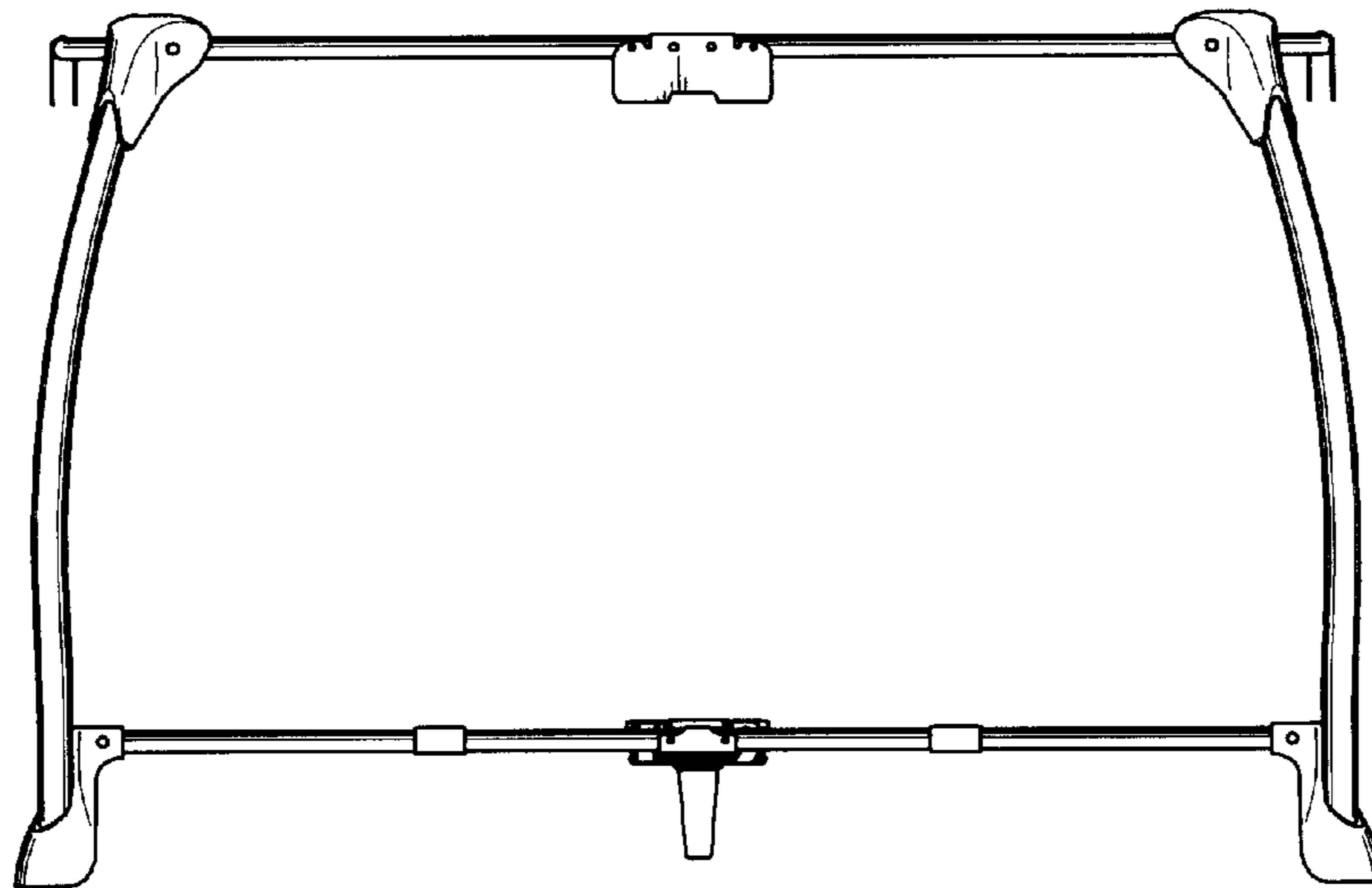


FIG. 4

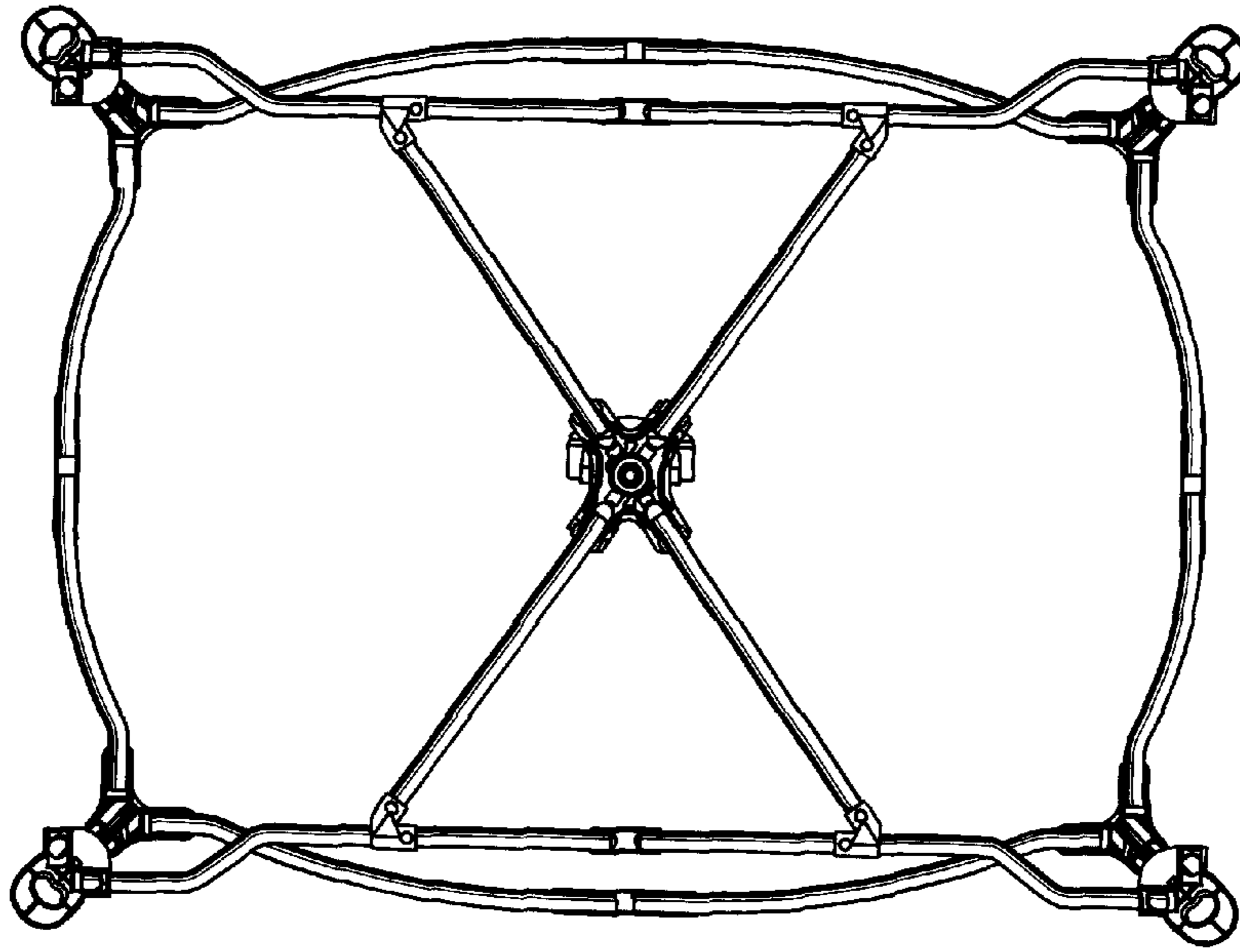


FIG. 5

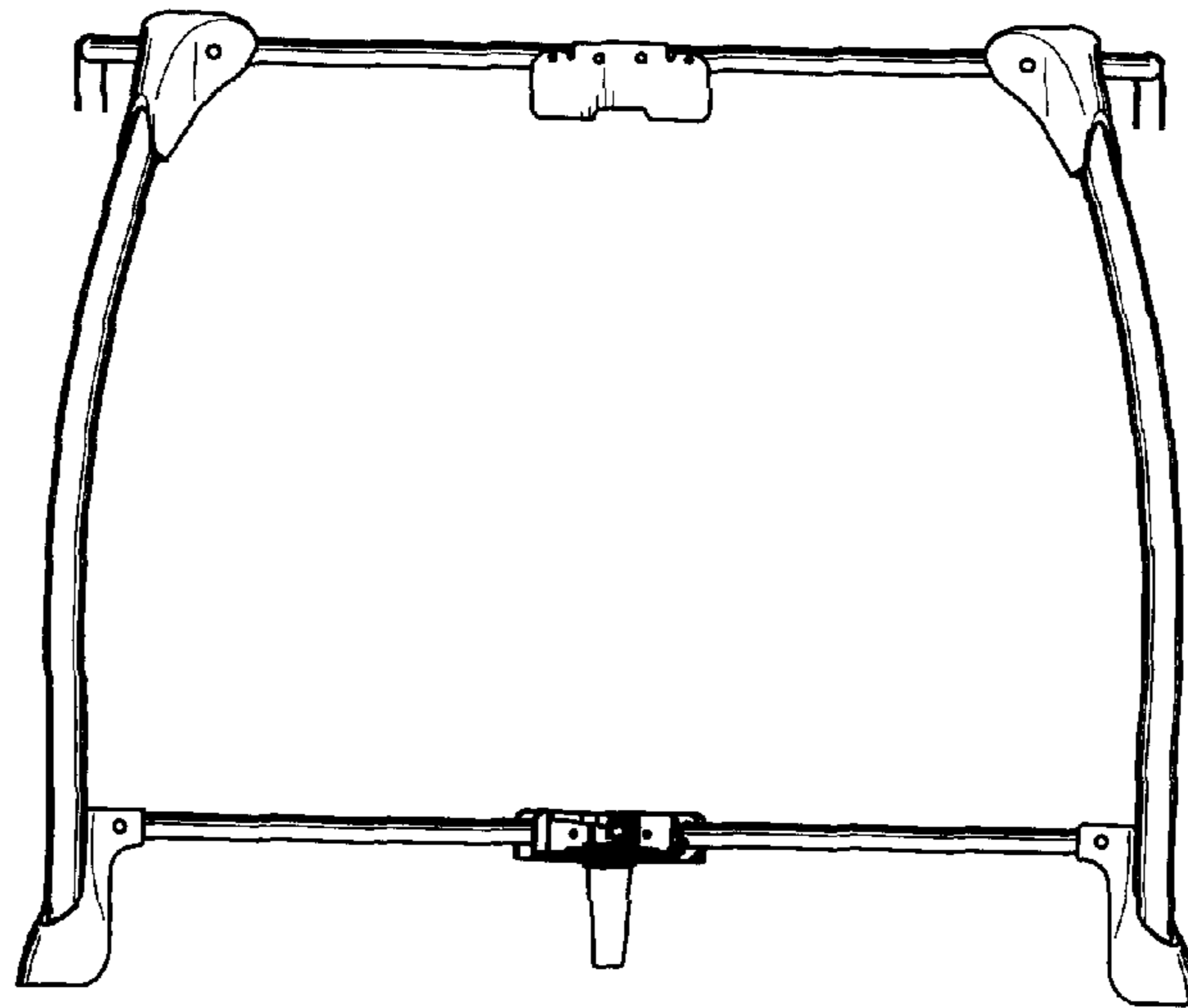


FIG. 6

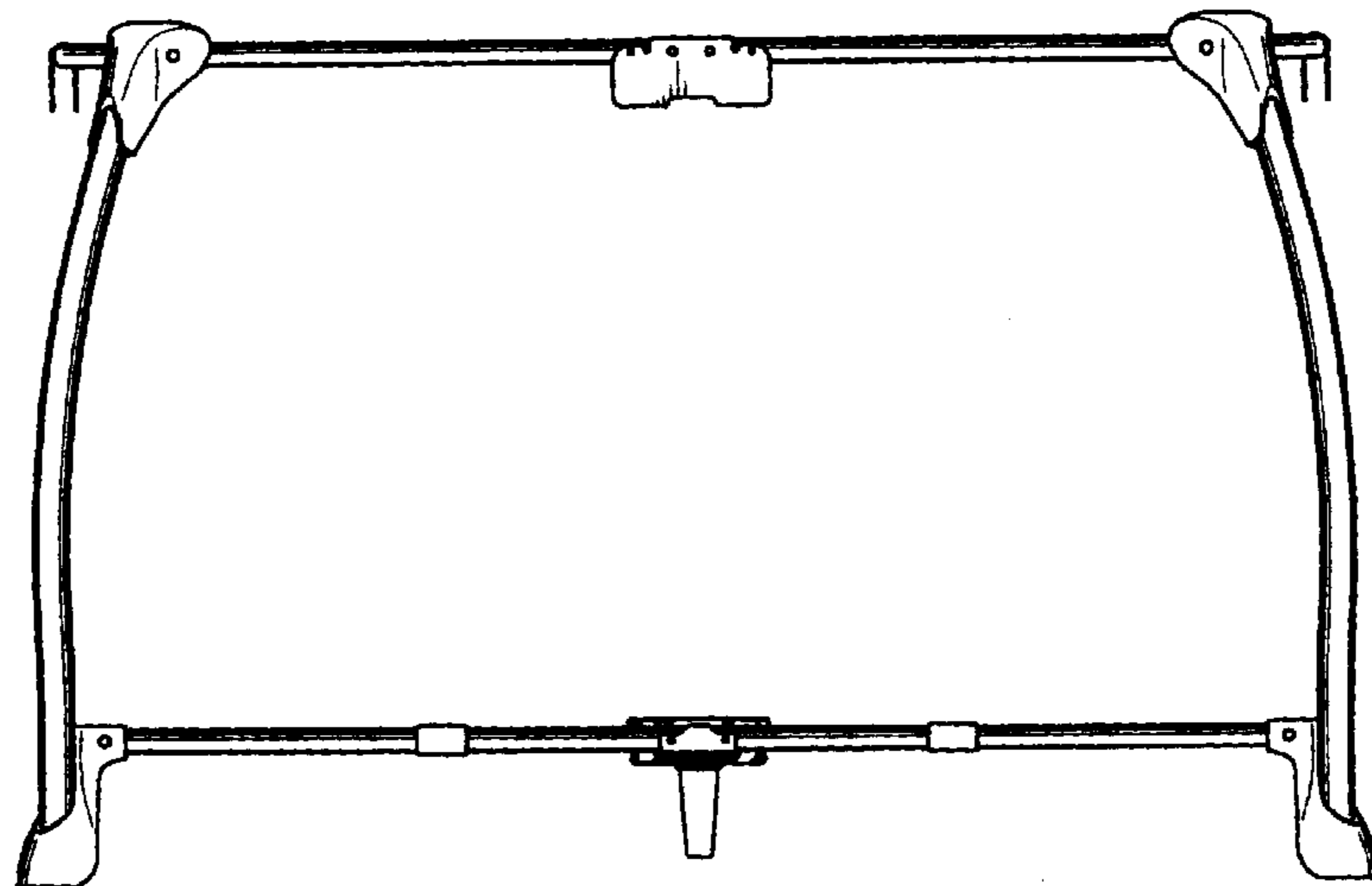


FIG.7