



US00D534748S

(12) **United States Design Patent**
Chu

(10) **Patent No.:** **US D534,748 S**

(45) **Date of Patent:** **** Jan. 9, 2007**

(54) **CHAIR**

(75) **Inventor:** **Zoocy Chia-Tien Chu**, Grand Rapids, MI (US)

(73) **Assignee:** **Global Total Office**, Downsville

(**) **Term:** **14 Years**

(21) **Appl. No.:** **29/231,839**

(22) **Filed:** **Jun. 10, 2005**

(51) **LOC (8) Cl.** **06-06**

(52) **U.S. Cl.** **D6/502; D6/366**

(58) **Field of Classification Search** D6/334-335, D6/364, 365, 366, 367, 374, 500-502; 297/230.1, 297/230.12, 284.1, 284.4, 452.11, 452.29, 297/463.1

See application file for complete search history.

(56) **References Cited**

U.S. PATENT DOCUMENTS

D267,989 S	*	2/1983	Buhk et al.	D6/366
D391,089 S	*	2/1998	Chu	D6/366
D397,258 S	*	8/1998	Heyder et al.	D6/366
D419,007 S	*	1/2000	Chu	D6/502
6,260,921 B1	*	7/2001	Chu et al.	297/284.4

D446,955 S	*	8/2001	Zemp	D6/366
D459,903 S	*	7/2002	Lo	D6/366
D459,923 S	*	7/2002	Chu	D6/502
D473,726 S	*	4/2003	Schaefer et al.	D6/366
D488,313 S	*	4/2004	Seiler	D6/366
D505,798 S	*	6/2005	Seiler	D6/366
D507,437 S	*	7/2005	Klaasen et al.	D6/500
D523,252 S	*	6/2006	Rodriguez Leitao	D6/366

* cited by examiner

Primary Examiner—Mimosa De

(74) *Attorney, Agent, or Firm*—Swernofsky Law Group PC

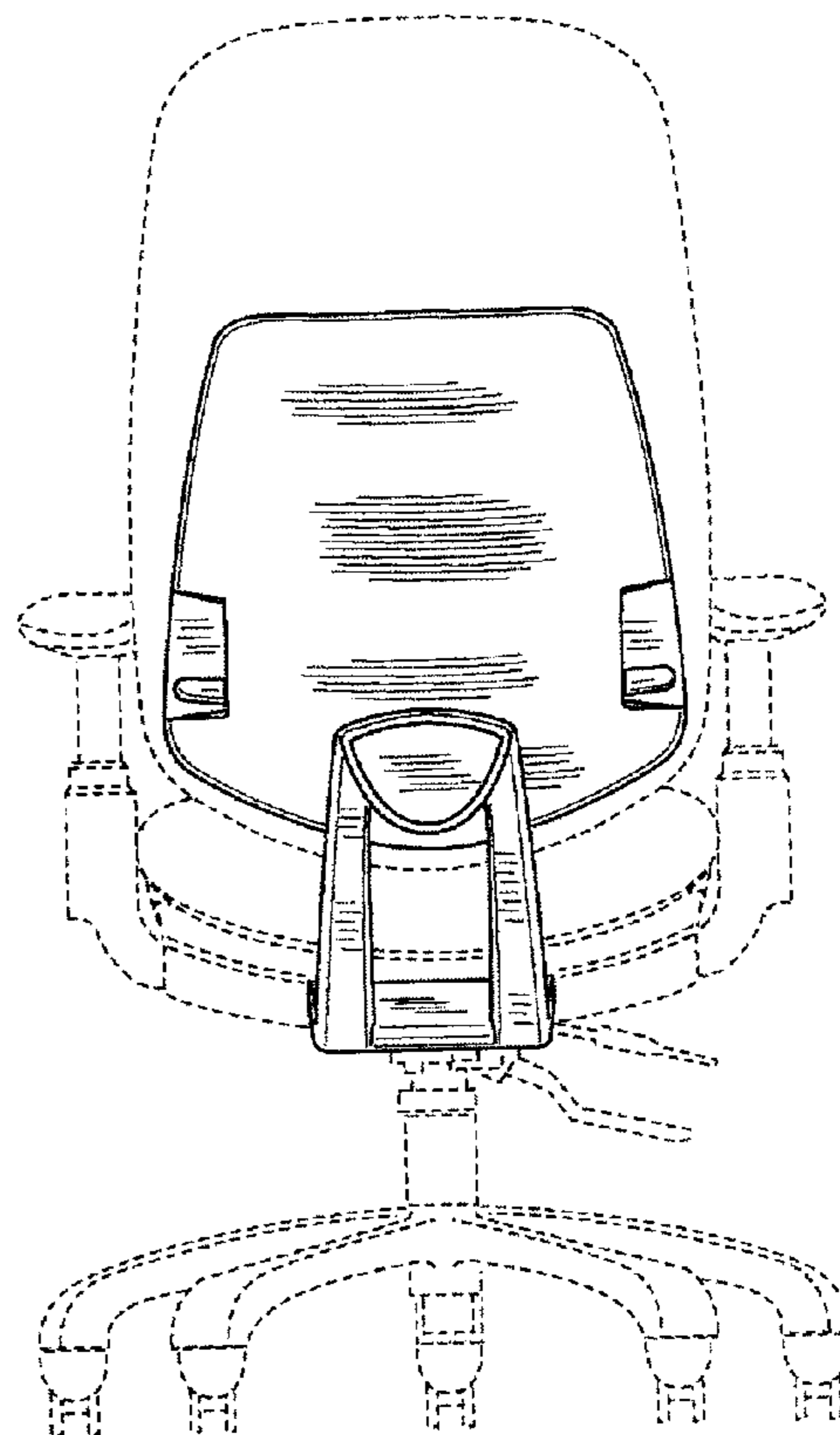
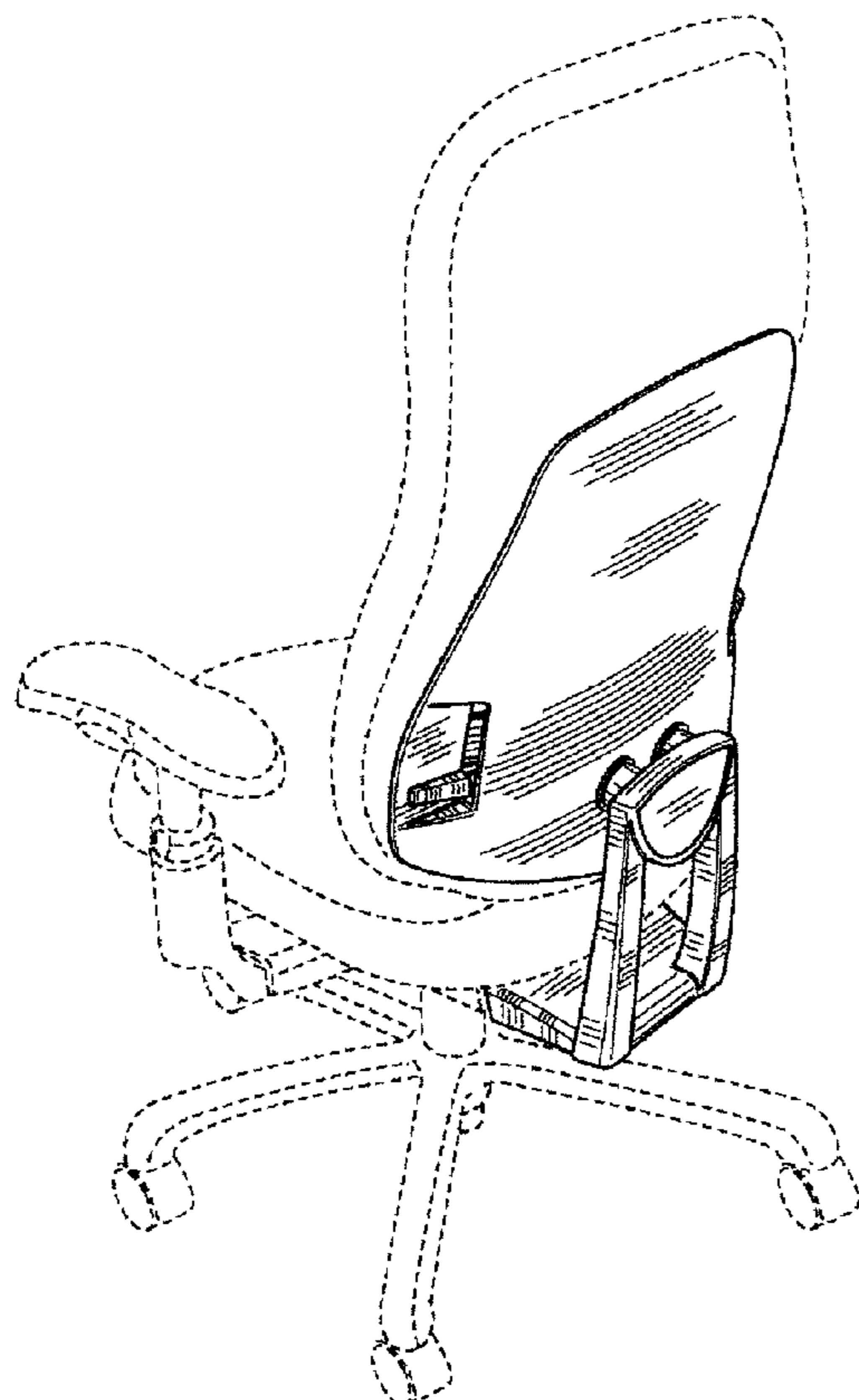
(57) **CLAIM**

The ornamental design for a chair, as shown and described.

DESCRIPTION

FIG. 1 is a front perspective view of the design; FIG. 2 is a rear perspective view of the design; FIG. 3 is a left side elevation view thereof (with the right side being identical); and, FIG. 4 is a rear elevation view thereof. The portions of the chair shown in broken lines are provided for illustration purposes only and form no part of the claimed design.

1 Claim, 2 Drawing Sheets



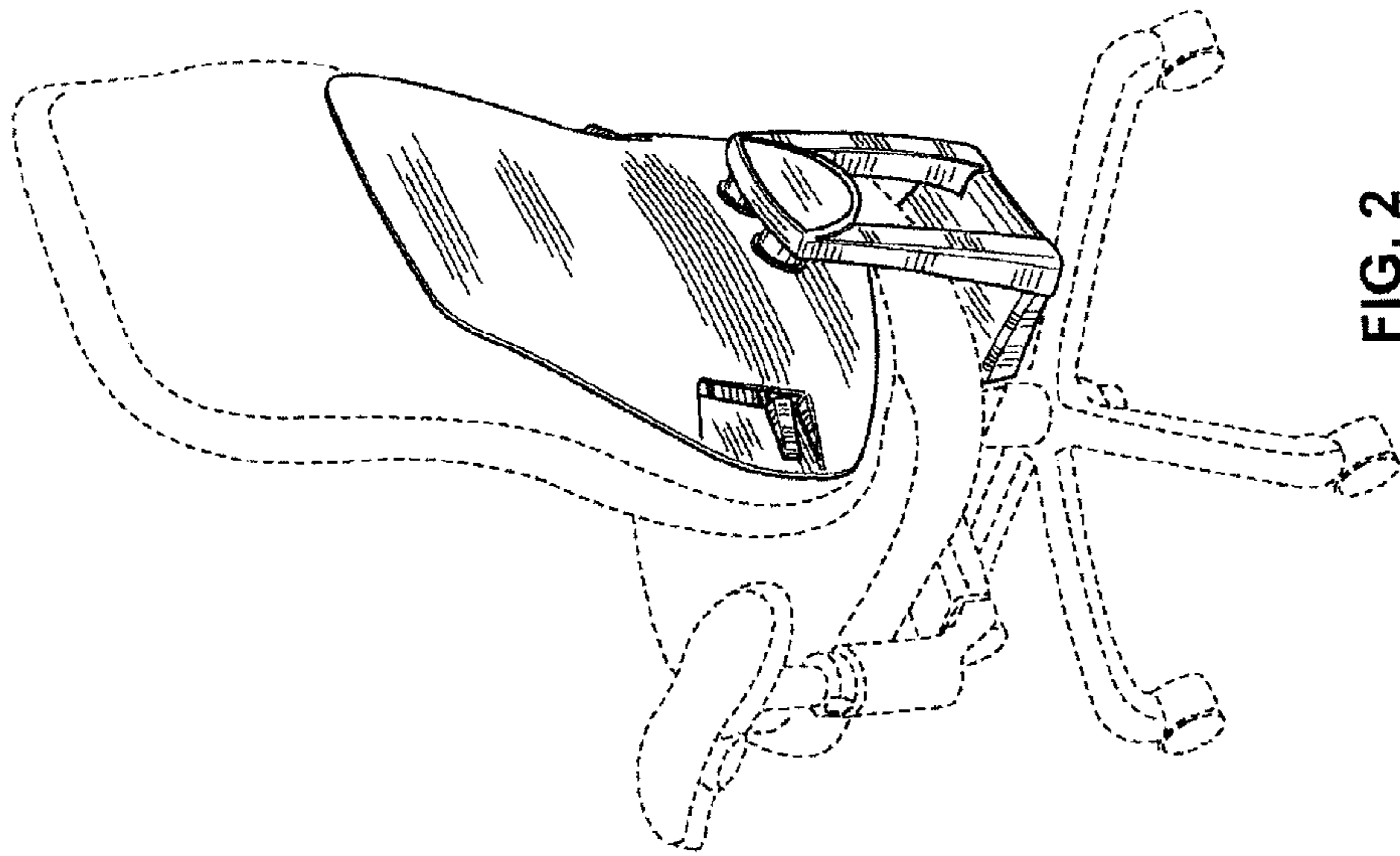


FIG. 2

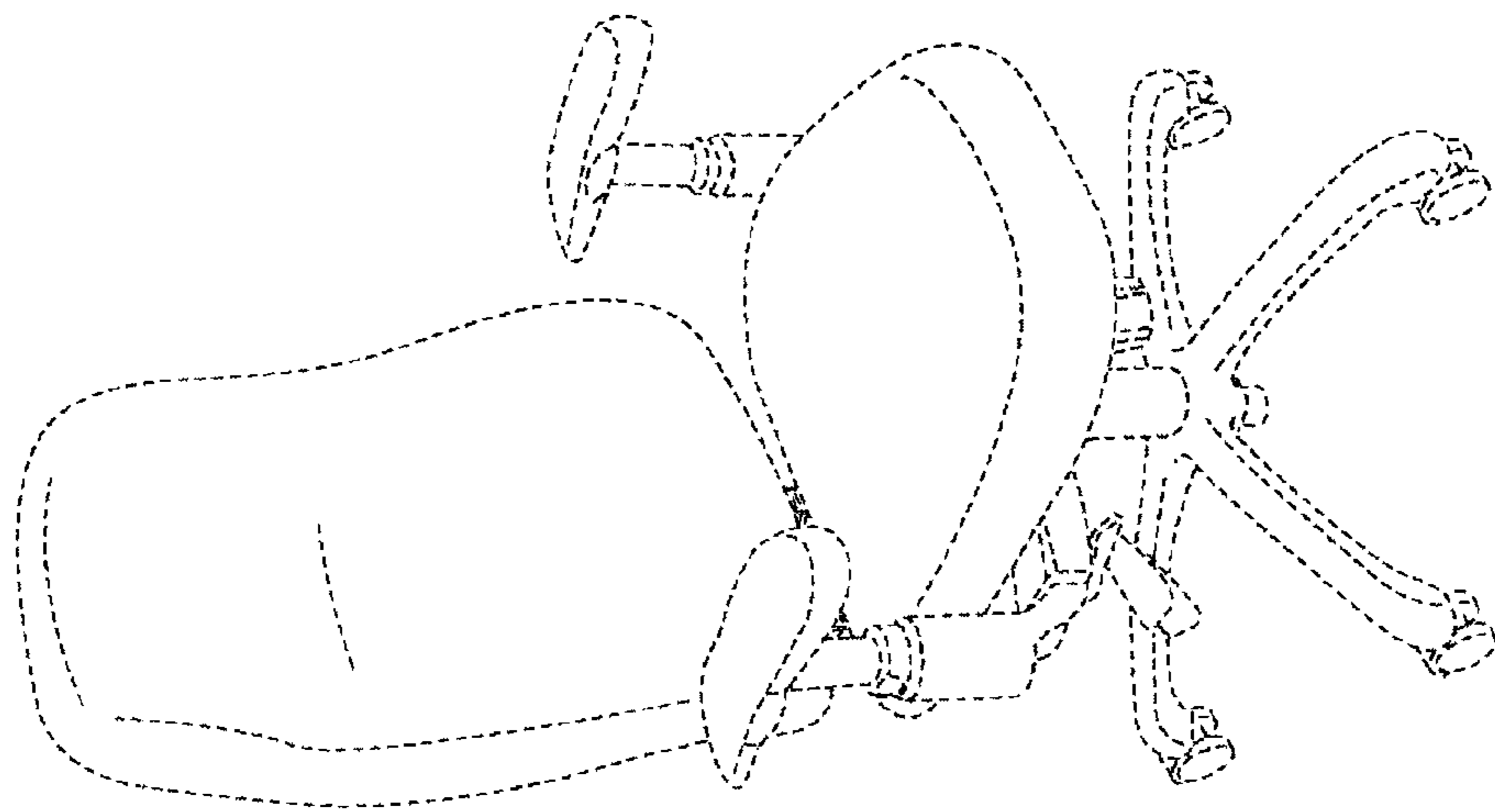


FIG. 1

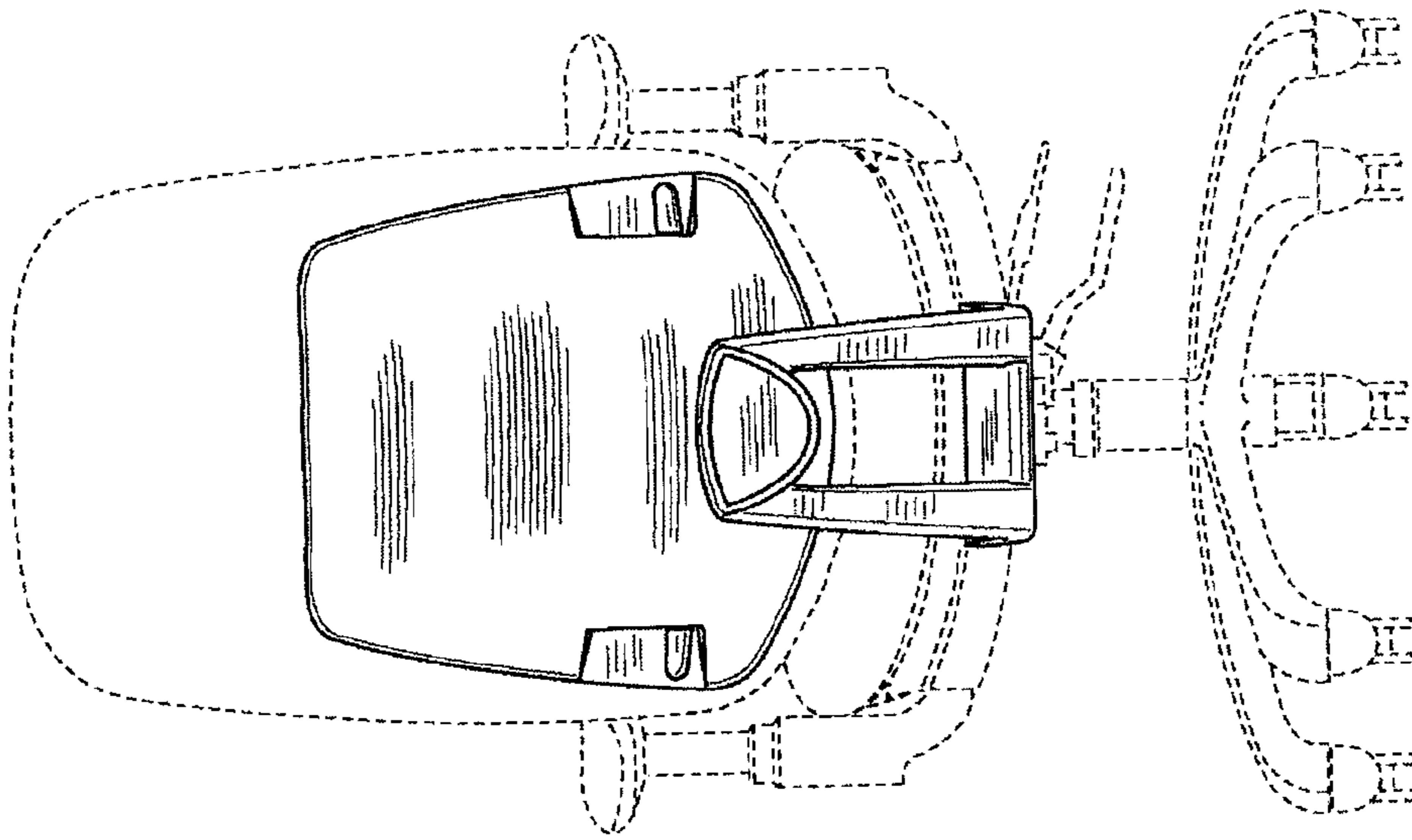


FIG. 4

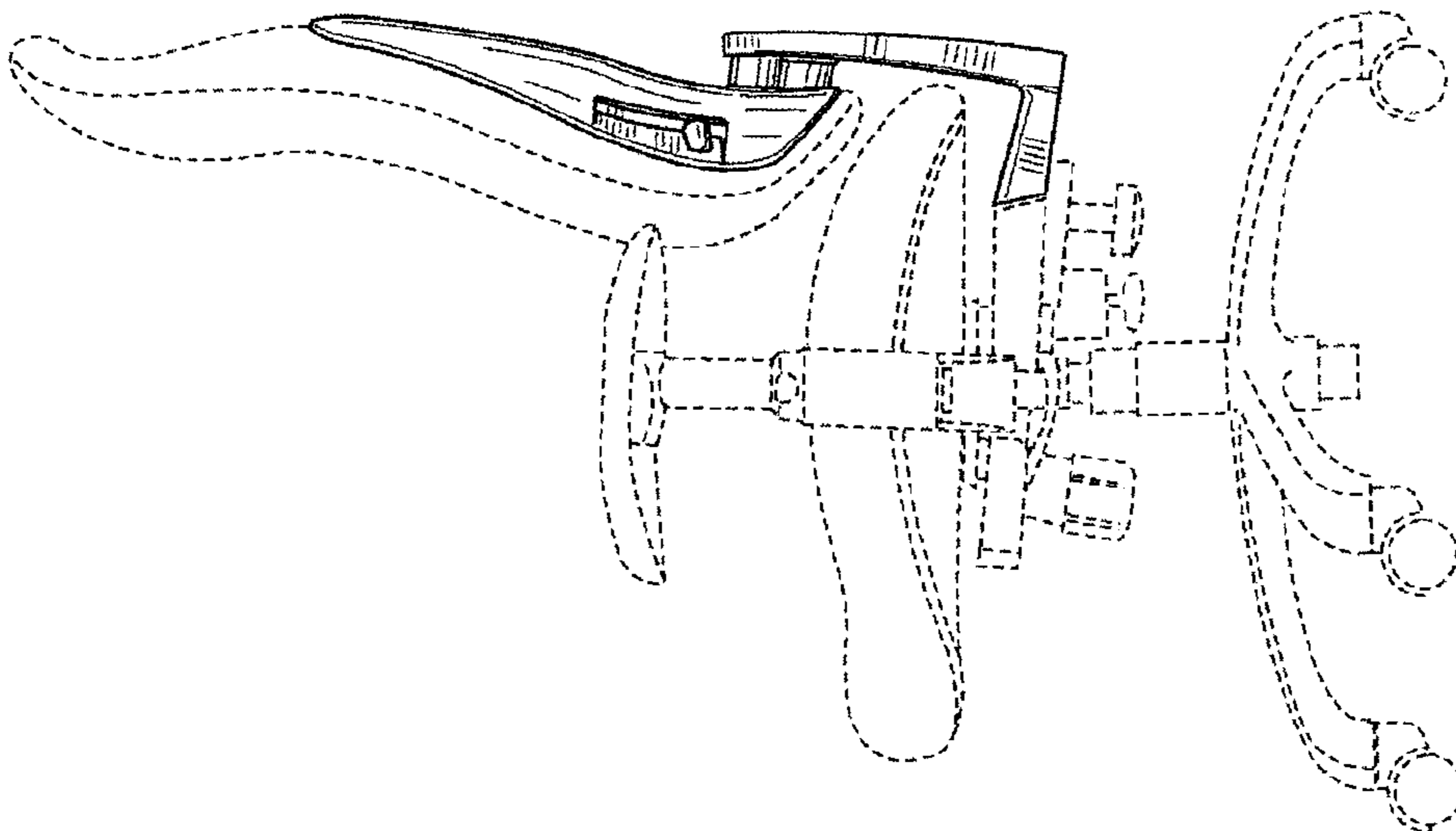


FIG. 3