



US00D534746S

(12) **United States Design Patent**
Rossini et al.

(10) **Patent No.:** **US D534,746 S**
(45) **Date of Patent:** **** Jan. 9, 2007**

(54) **MOBILE COMPUTER CART BASE ASSEMBLY**

(75) Inventors: **Alfred P. Rossini**, Southborough, MA (US); **Louis F. Genatossio**, Shrewsbury, MA (US)

(73) Assignee: **Jaco, Inc.**, Franklin, MA (US)

(**) Term: **14 Years**

(21) Appl. No.: **29/227,098**

(22) Filed: **Apr. 6, 2005**

(51) **LOC (8) Cl.** **06-06**

(52) **U.S. Cl.** **D6/495**

(58) **Field of Classification Search** D6/422-426,
D6/429, 480, 474; 108/50.01, 50.02, 147.19,
108/147.1, 144.11; 312/194-196, 203, 239;
248/188.5

See application file for complete search history.

(56) **References Cited**

U.S. PATENT DOCUMENTS

D346,251 S *	4/1994	Morooka	D34/17
D374,563 S *	10/1996	Simon et al.	D6/422
D493,977 S *	8/2004	Rossini et al.	D6/426
6,883,439 B1 *	4/2005	Moore	108/147

* cited by examiner

Primary Examiner—Janice E. Seeger

(74) *Attorney, Agent, or Firm*—Brian M. Dingman; Mirick, O'Connell, DeMallie & Lougee

(57) **CLAIM**

The ornamental design for a mobile computer cart base assembly, as shown and described.

DESCRIPTION

FIG. 1 is a perspective view of the mobile computer cart base assembly of the invention;

FIG. 2 is a front elevational view of the mobile computer cart base assembly of FIG. 1;

FIG. 3 is a rear elevational view of the mobile computer cart base assembly of FIG. 1;

FIG. 4 is a left side elevational view of the mobile computer cart base assembly of FIG. 1;

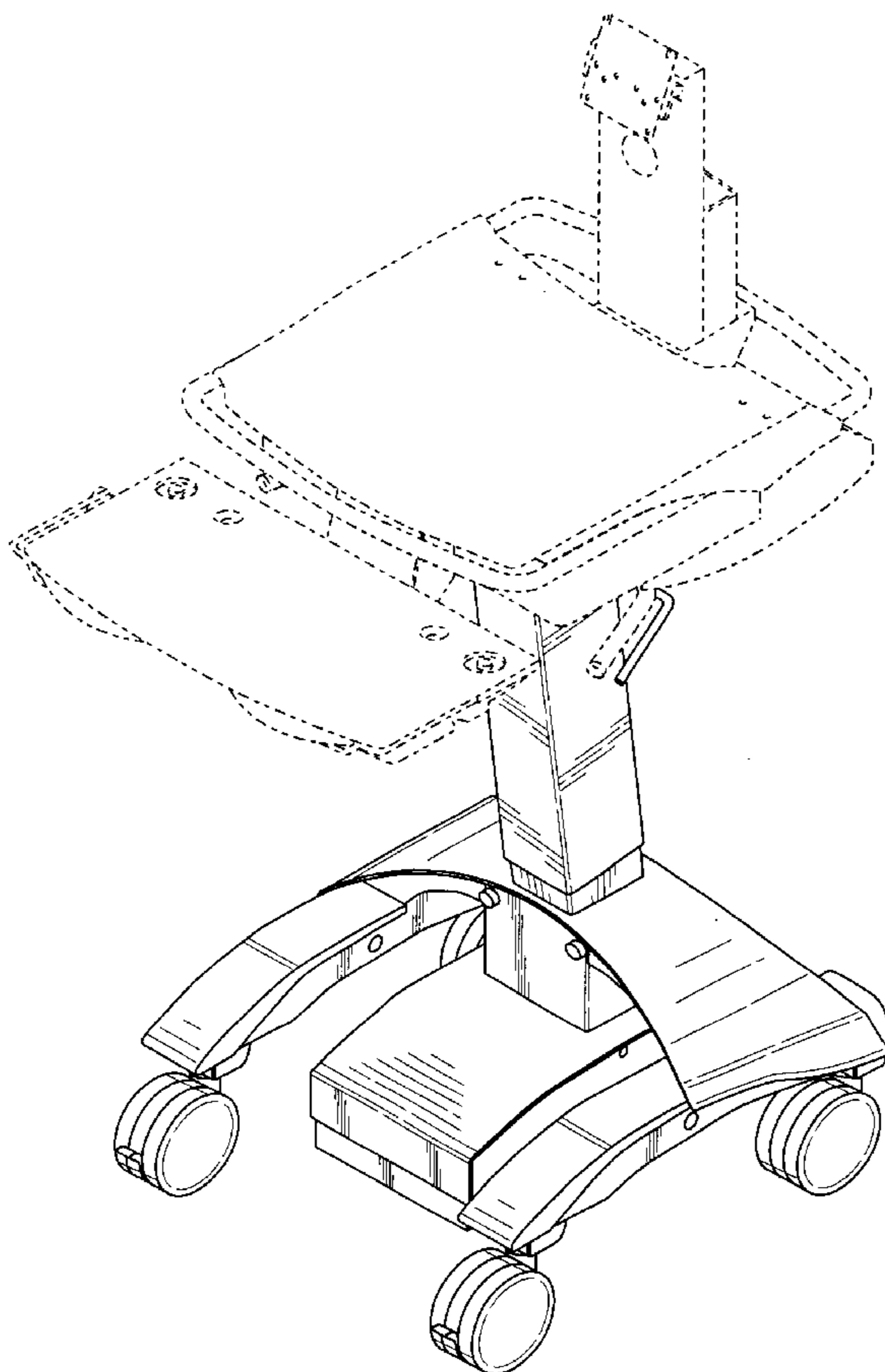
FIG. 5 is a right side elevational view of the mobile computer cart base assembly of FIG. 1;

FIG. 6 is a top view of the mobile computer cart base assembly of FIG. 1; and,

FIG. 7 is a bottom view of the mobile computer cart base assembly of FIG. 1.

The broken lines are for environmental purposes only and form no part of the claimed design.

1 Claim, 7 Drawing Sheets



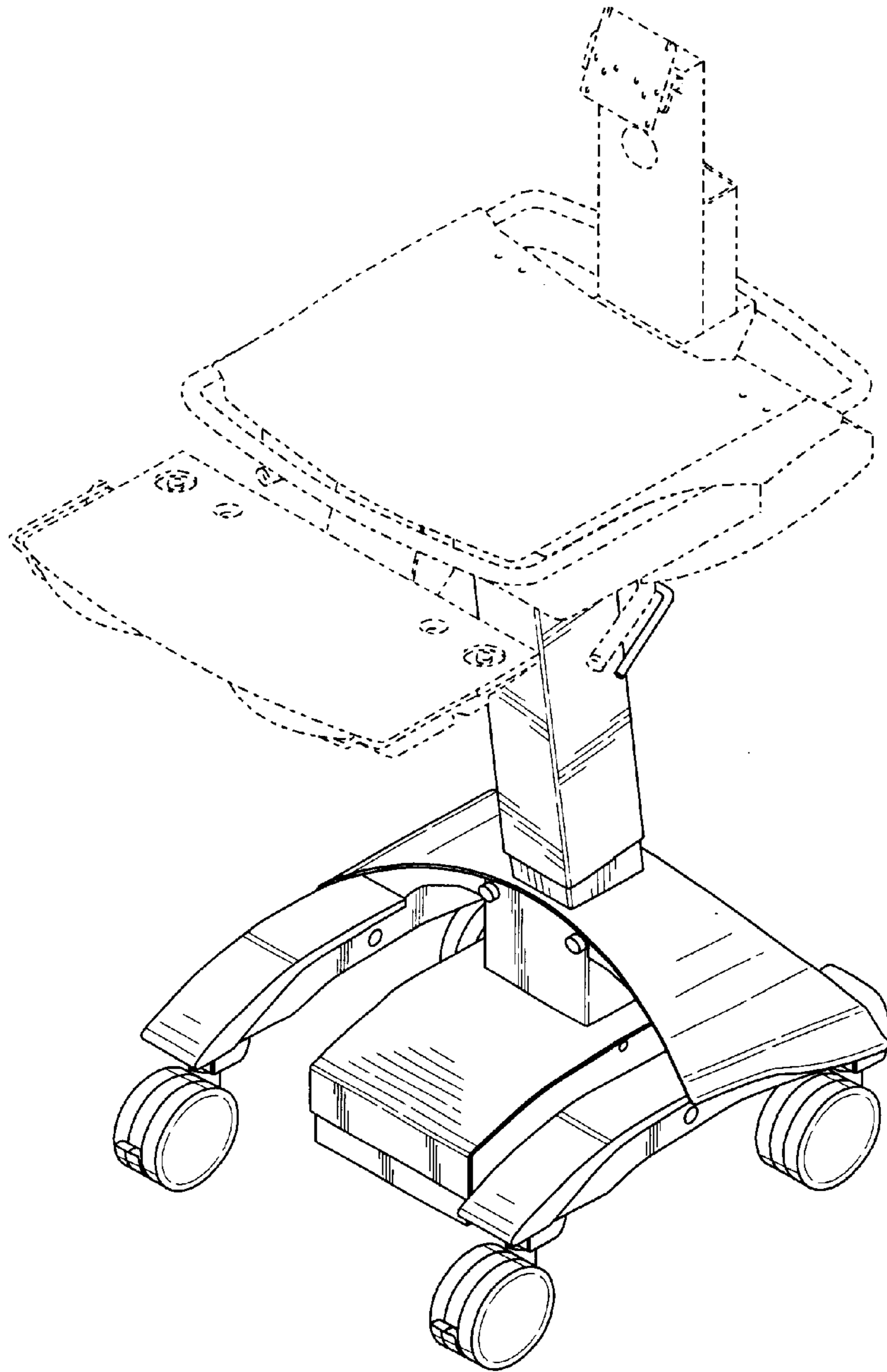


FIG. 1

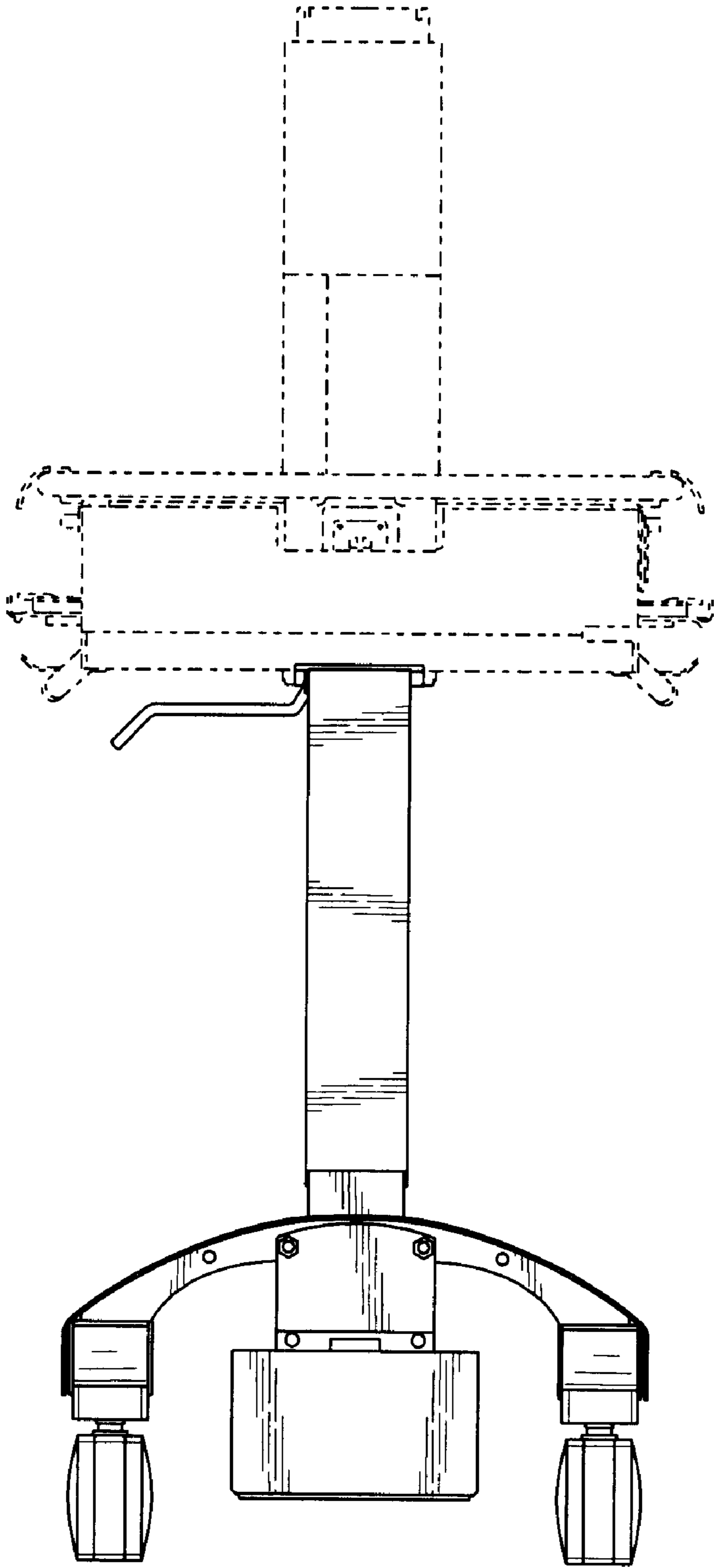


FIG. 2

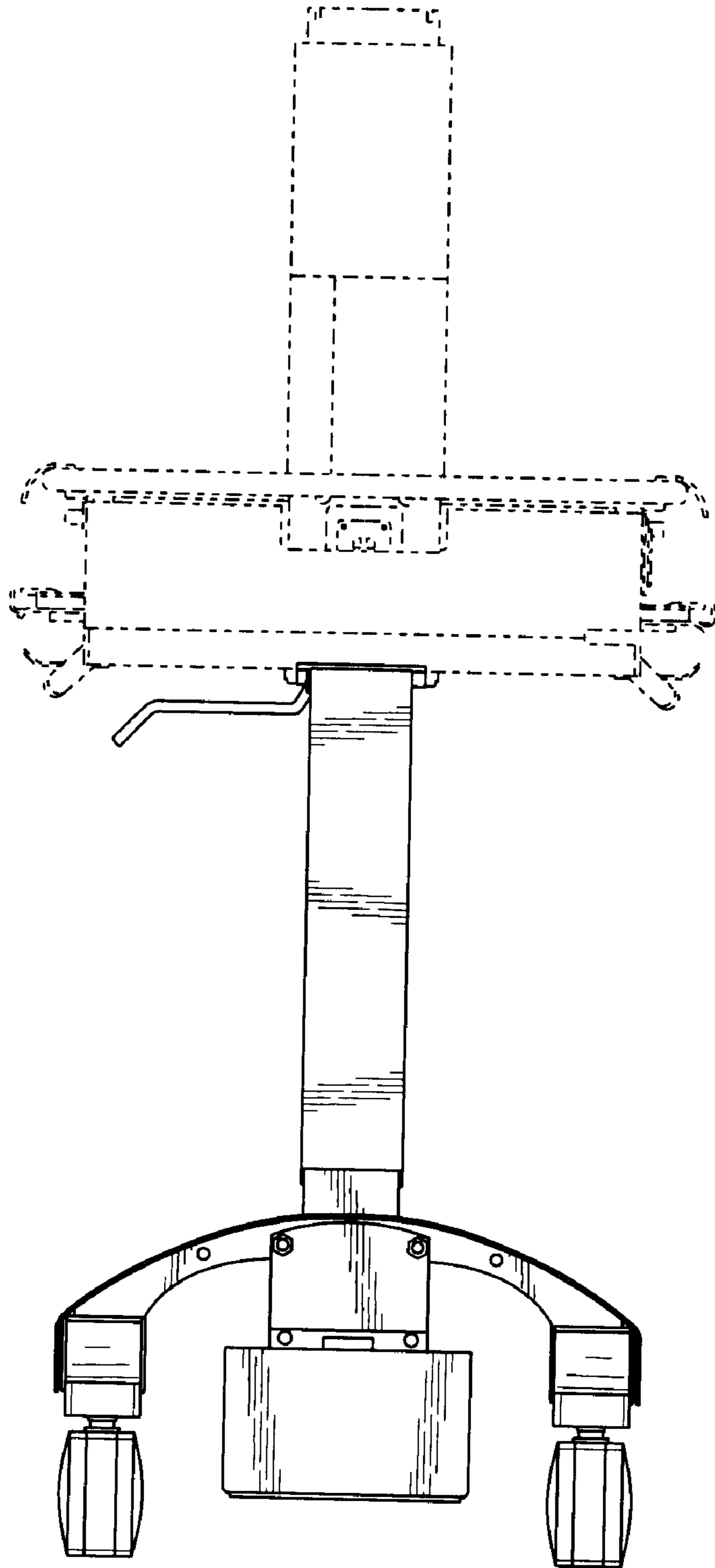


FIG. 3

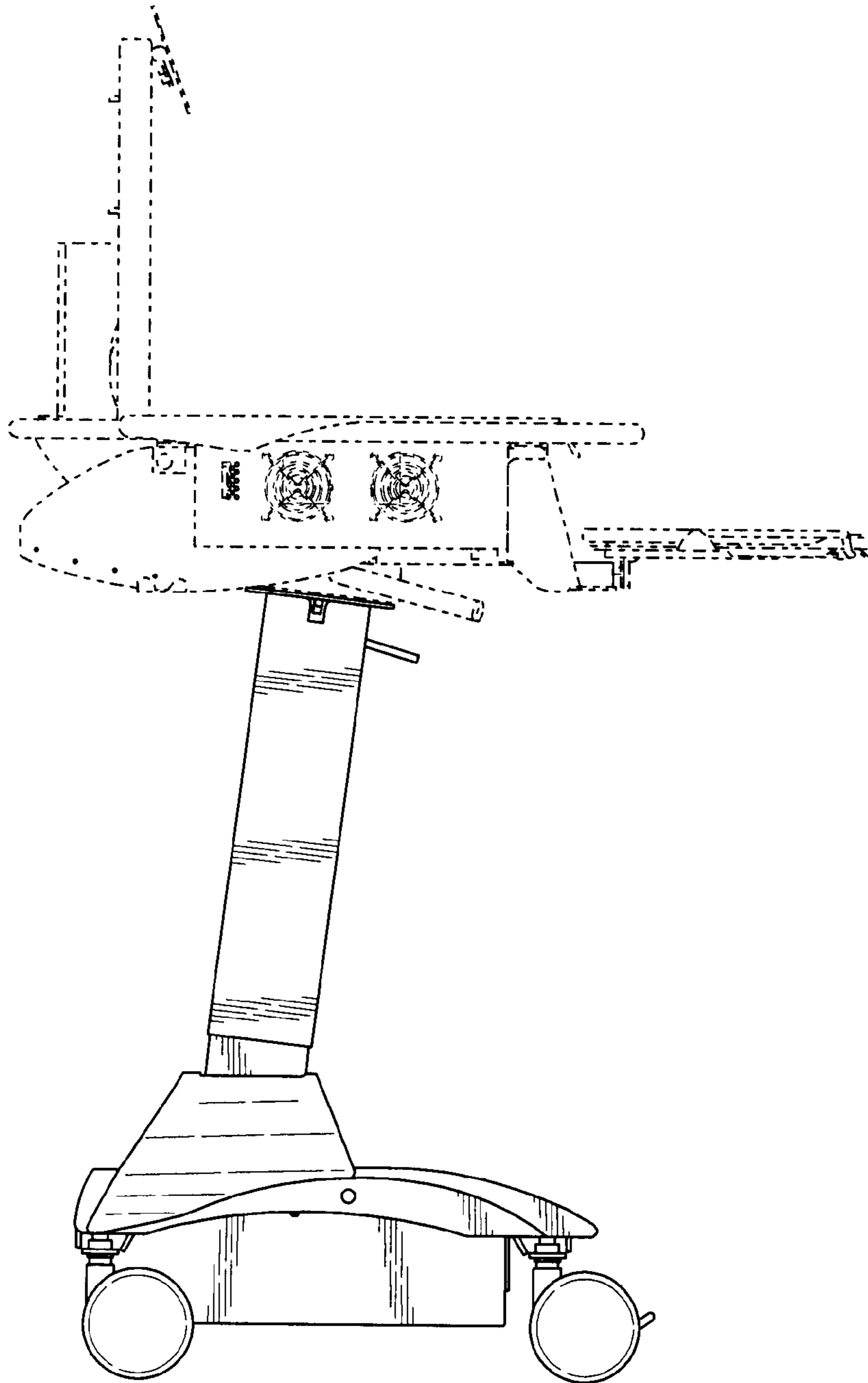


FIG. 4

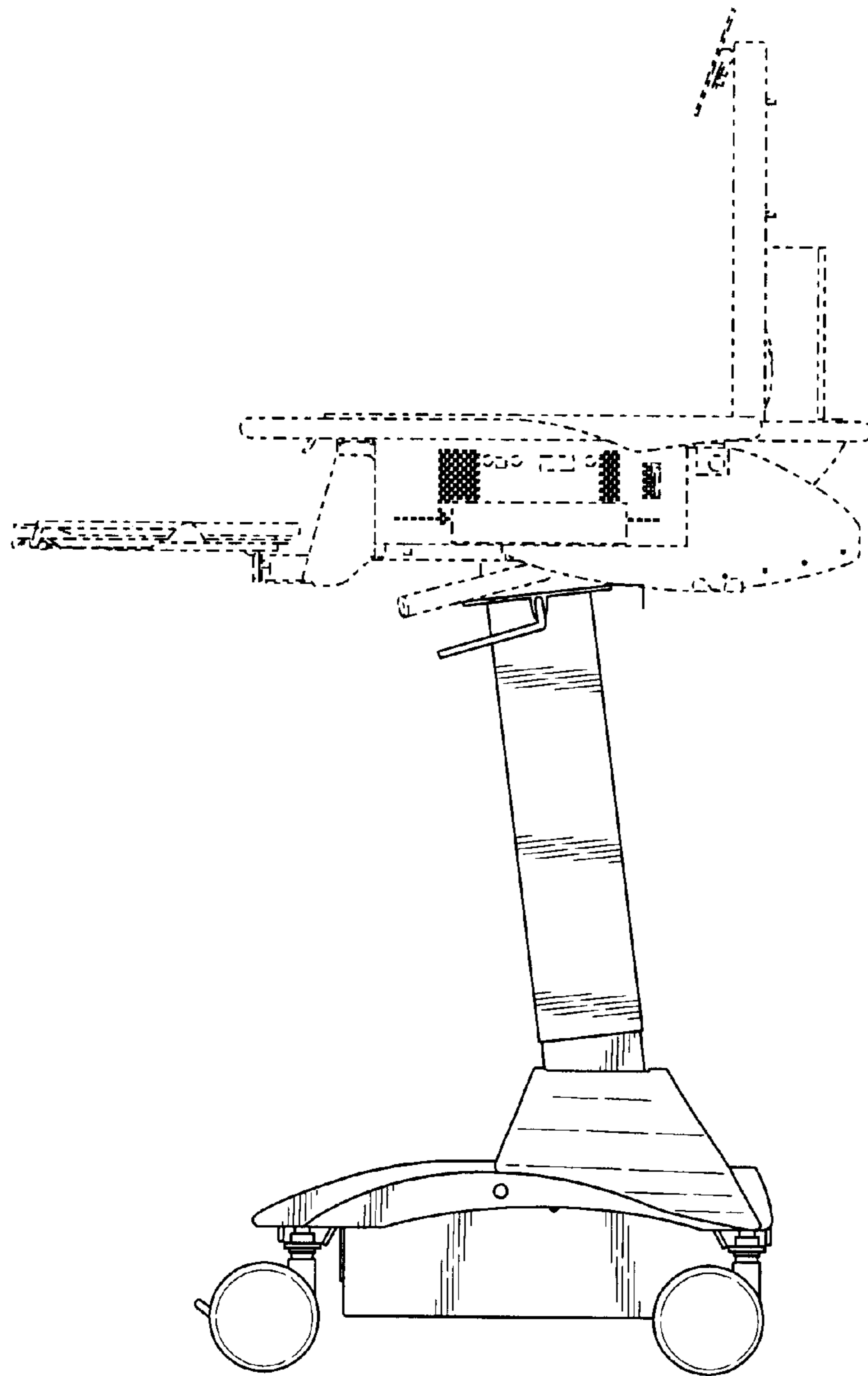


FIG. 5

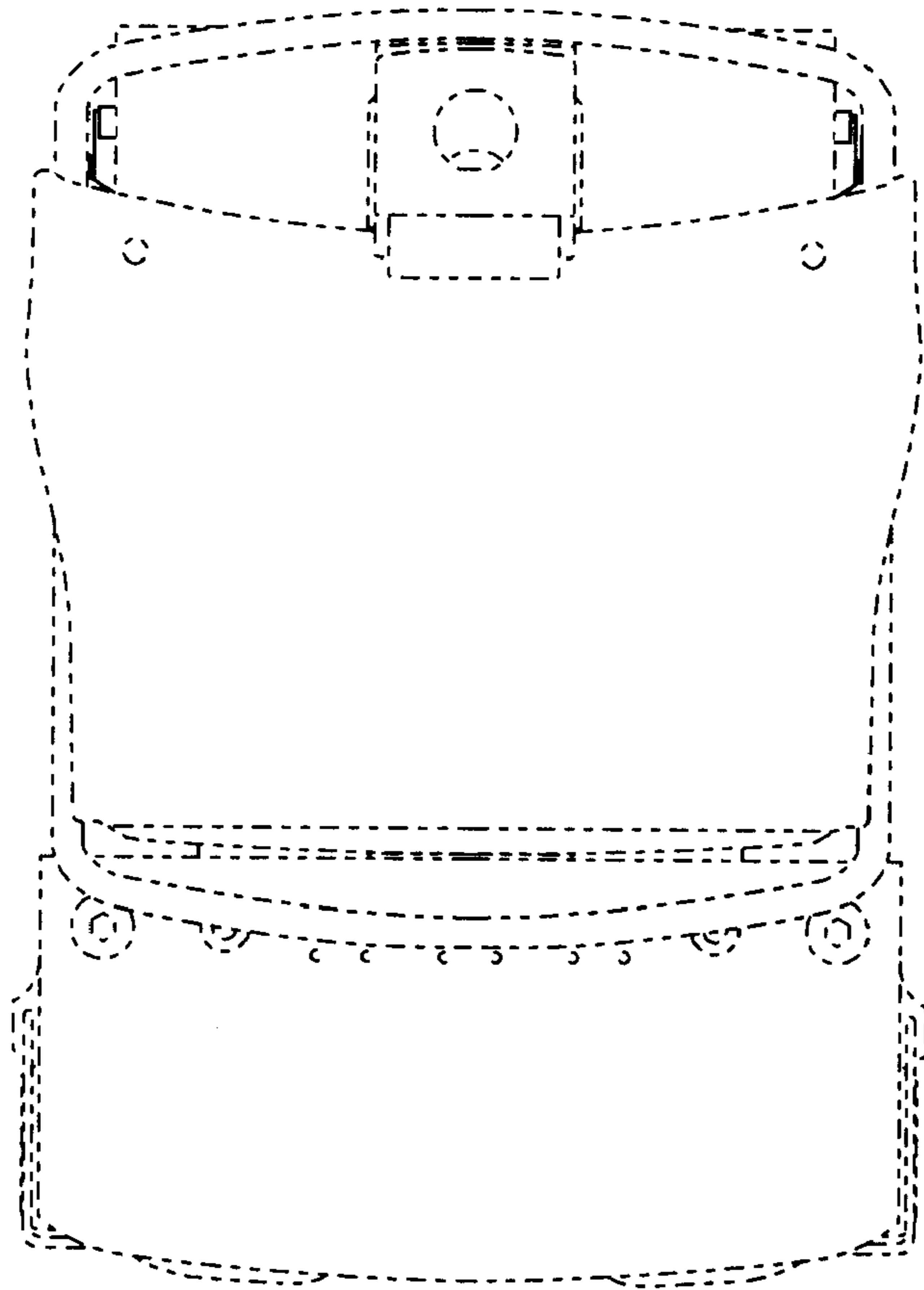


FIG. 6

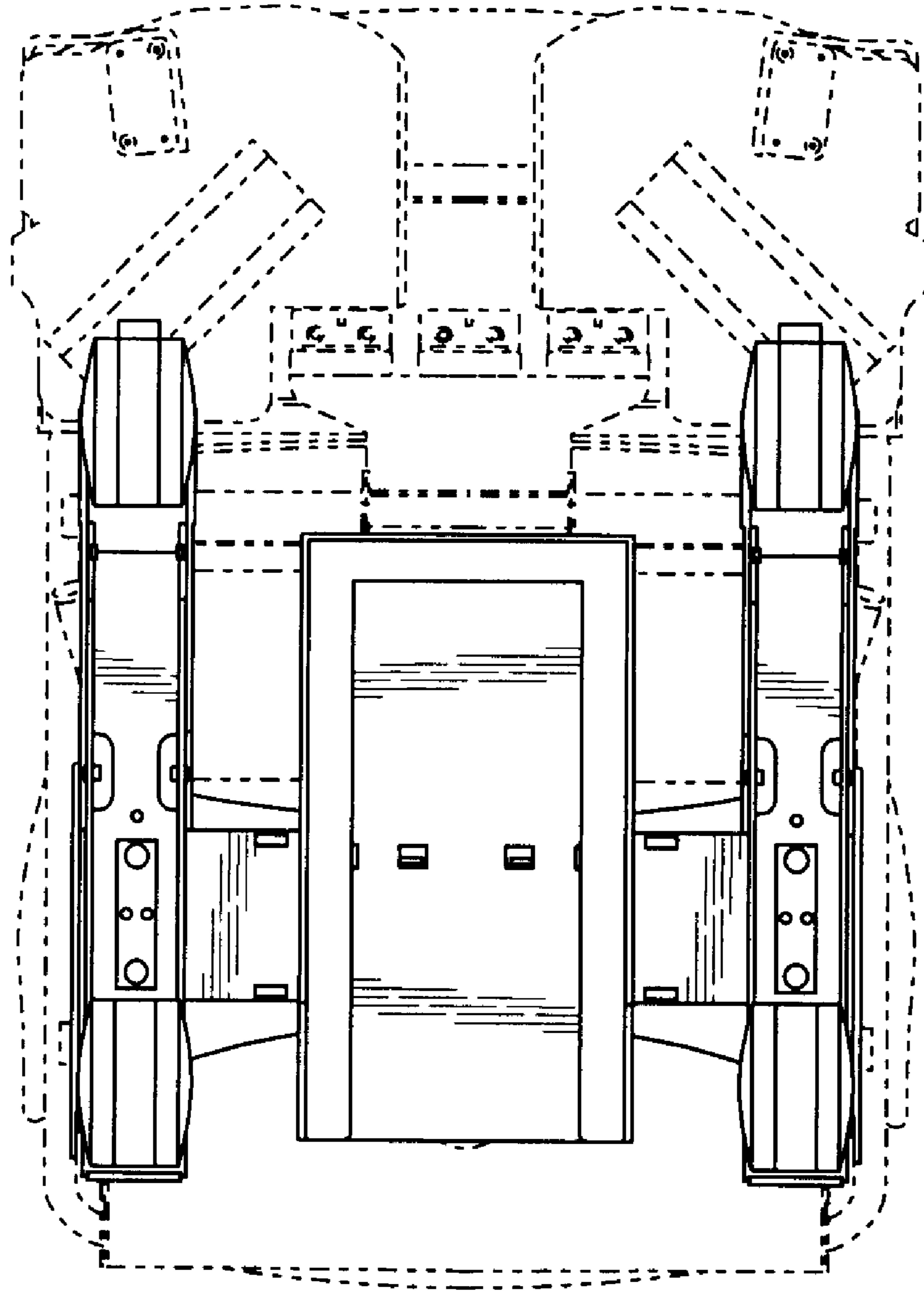


FIG. 7