



US00D534745S

(12) **United States Design Patent**
Garcia

(10) **Patent No.:** **US D534,745 S**

(45) **Date of Patent:** **** Jan. 9, 2007**

(54) **ARM CHAIR**

(75) Inventor: **Enrique José Cantó Garcia**, Alicante (ES)

(73) Assignee: **Eurokeyton, S.A.**, Alicante (ES)

(**) Term: **14 Years**

(21) Appl. No.: **29/234,590**

(22) Filed: **Jul. 21, 2005**

(51) **LOC (8) Cl.** **06-06**

(52) **U.S. Cl.** **D6/492; D6/367; D6/501**

(58) **Field of Classification Search** D6/334-336, D6/344, 348, 360, 361, 364-368, 374, 375, D6/379, 492, 500-502; 297/68, 83, 271.2, 297/423.1, 423.19, 423.25, 423.32, 411.44, 297/411.45

See application file for complete search history.

(56) **References Cited**

U.S. PATENT DOCUMENTS

1,952,963	A	*	3/1934	Batt	297/271.2
D144,611	S	*	5/1946	Reida	D6/492
D147,463	S	*	9/1947	Luketa	D6/360
D163,941	S	*	7/1951	Frost	D6/492
D173,592	S	*	11/1954	Richardson	D6/360
D179,074	S	*	10/1956	Glass	D6/360

D180,226	S	*	5/1957	Ensign et al.	D6/360
D182,804	S	*	5/1958	Glass	D6/360
D207,314	S	*	4/1967	Caldemeyer et al.	D6/344
D249,306	S	*	9/1978	Bengtsson	D6/367
4,113,311	A	*	9/1978	Reida	297/423.32
4,477,118	A	*	10/1984	Ruble	297/85
D502,817	S	*	3/2005	Inada et al.	D6/367

* cited by examiner

Primary Examiner—Mimosa De

(74) *Attorney, Agent, or Firm*—Adam K. Sacharoff; Much Shelist

(57) **CLAIM**

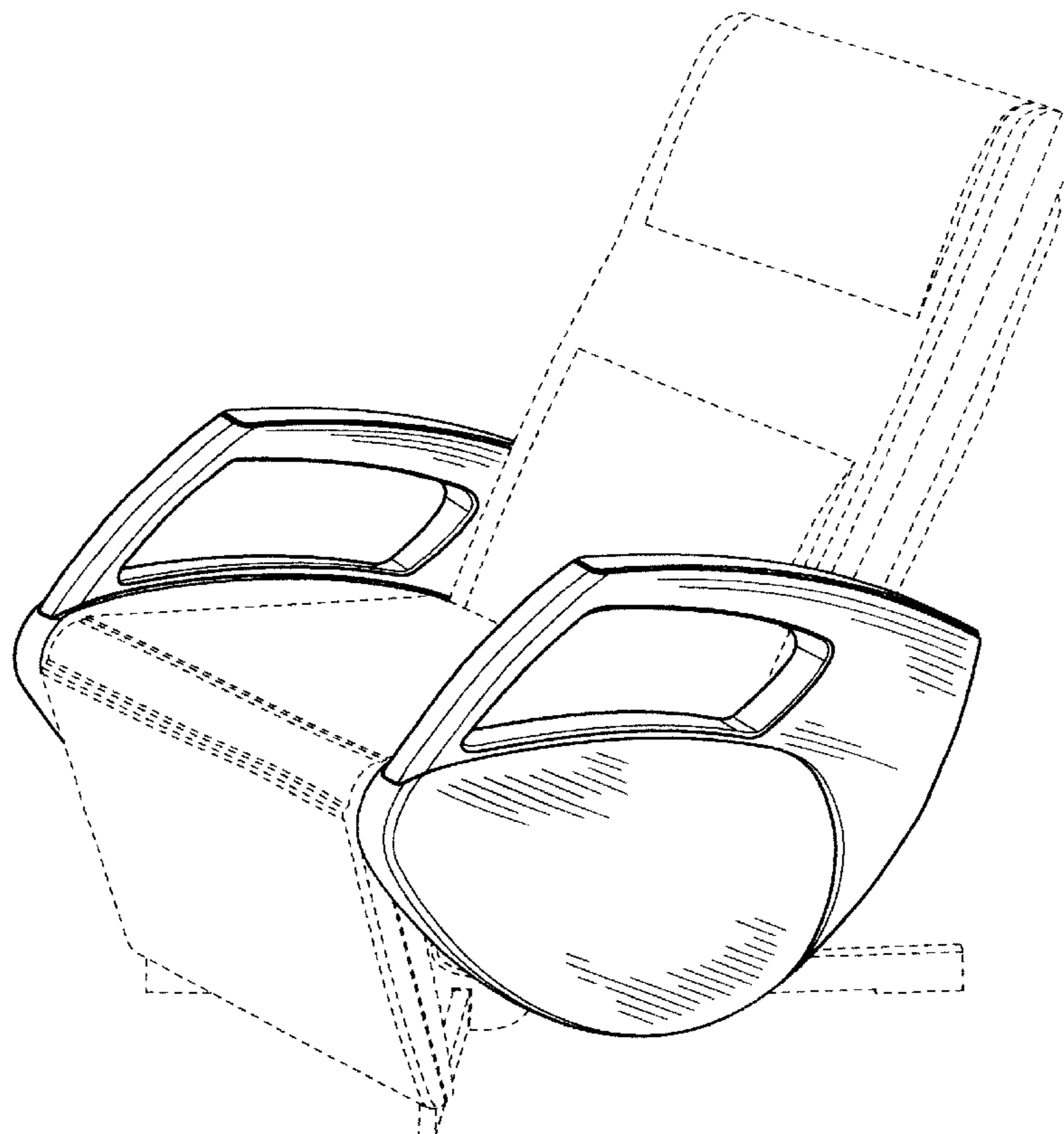
The ornamental design for an arm chair, as shown and described.

DESCRIPTION

FIG. 1 is a front perspective view showing the new design; FIG. 2 is a front view thereof; FIG. 3 is a back view thereof; FIG. 4 is a left side view thereof; FIG. 5 is a right side view thereof; FIG. 6 is a top view thereof; and, FIG. 7 is a bottom view thereof.

The broken lines shown are for illustrative purposes only and form no part of the claimed design.

1 Claim, 7 Drawing Sheets



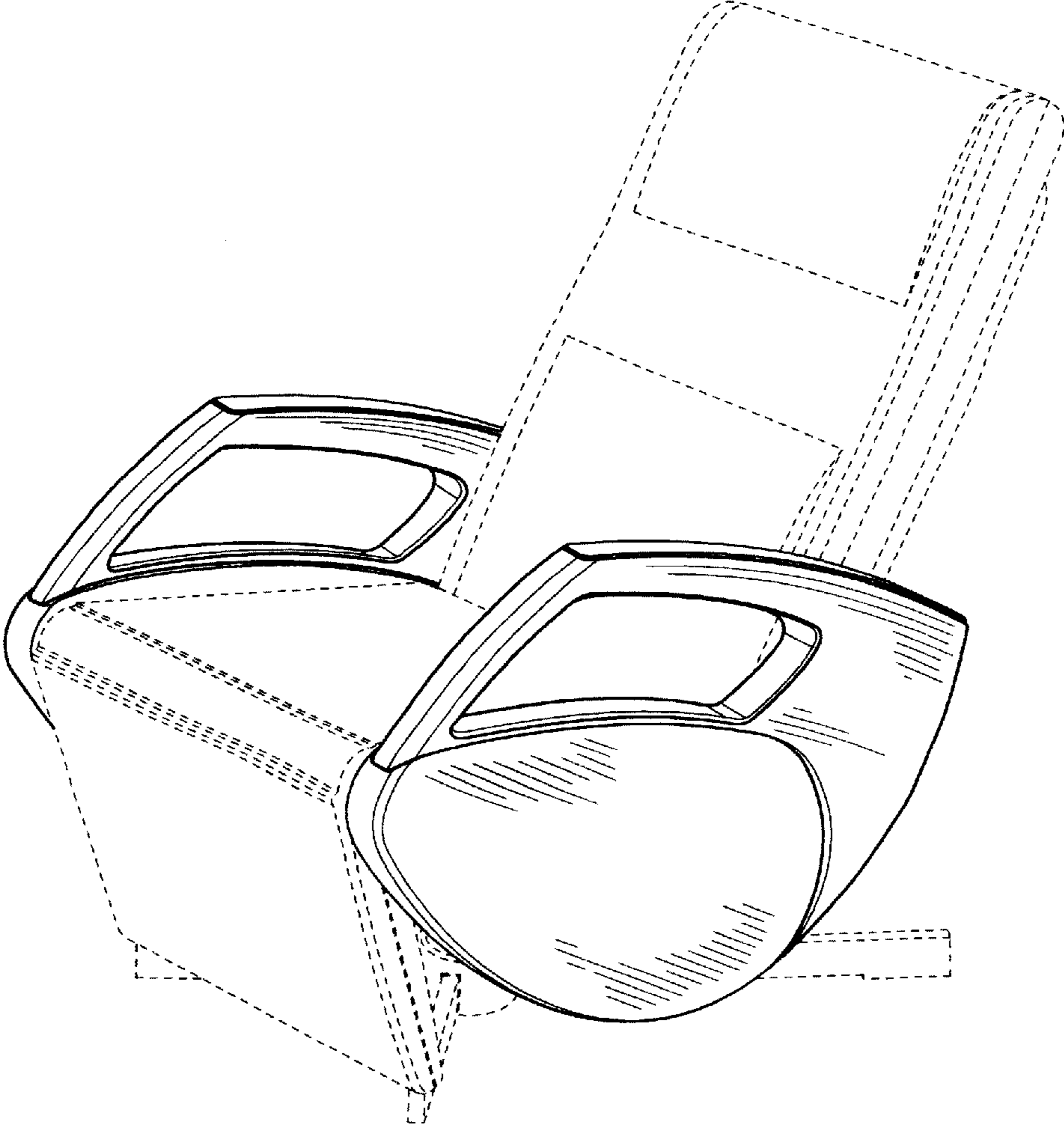


FIG. 1

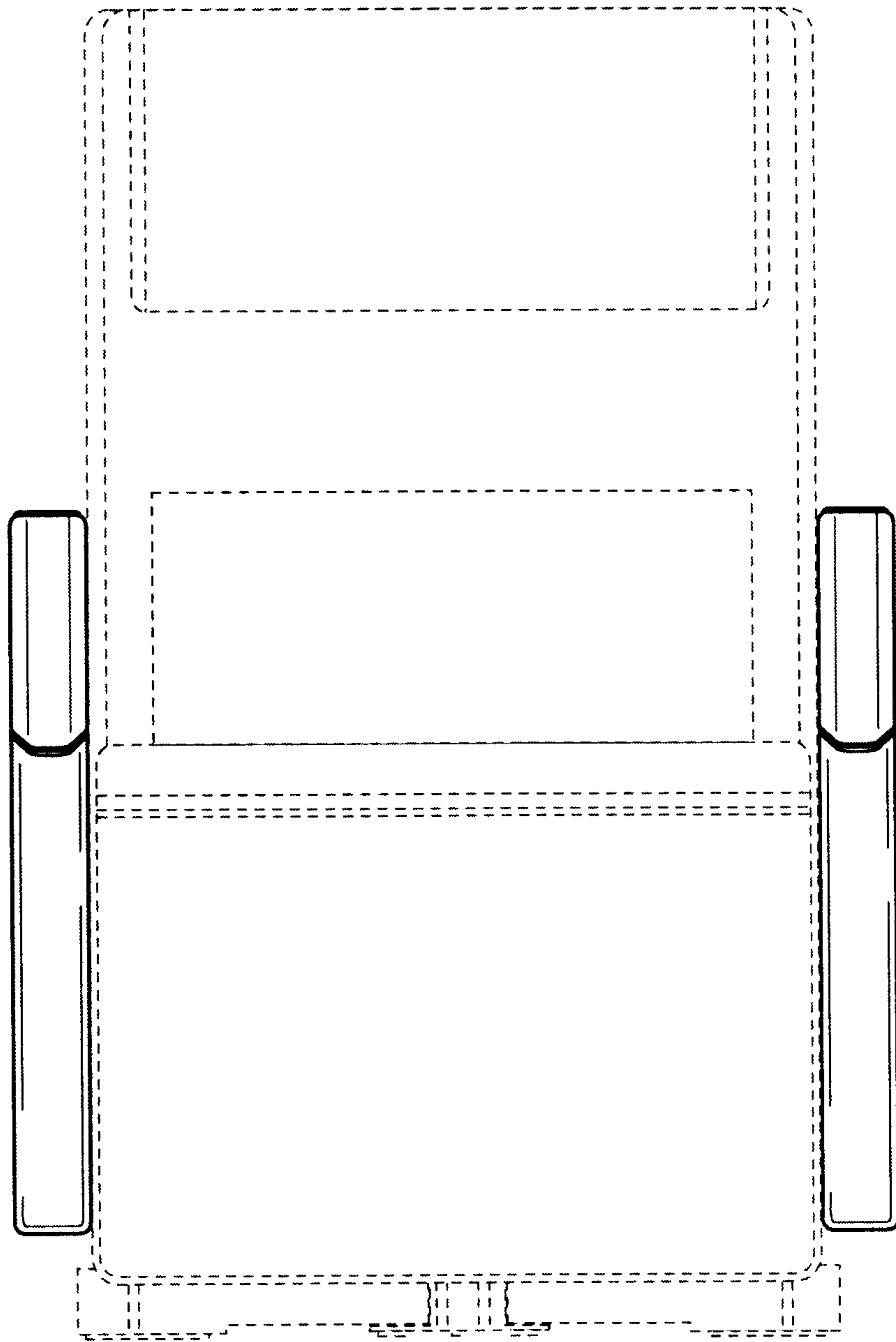


FIG. 2

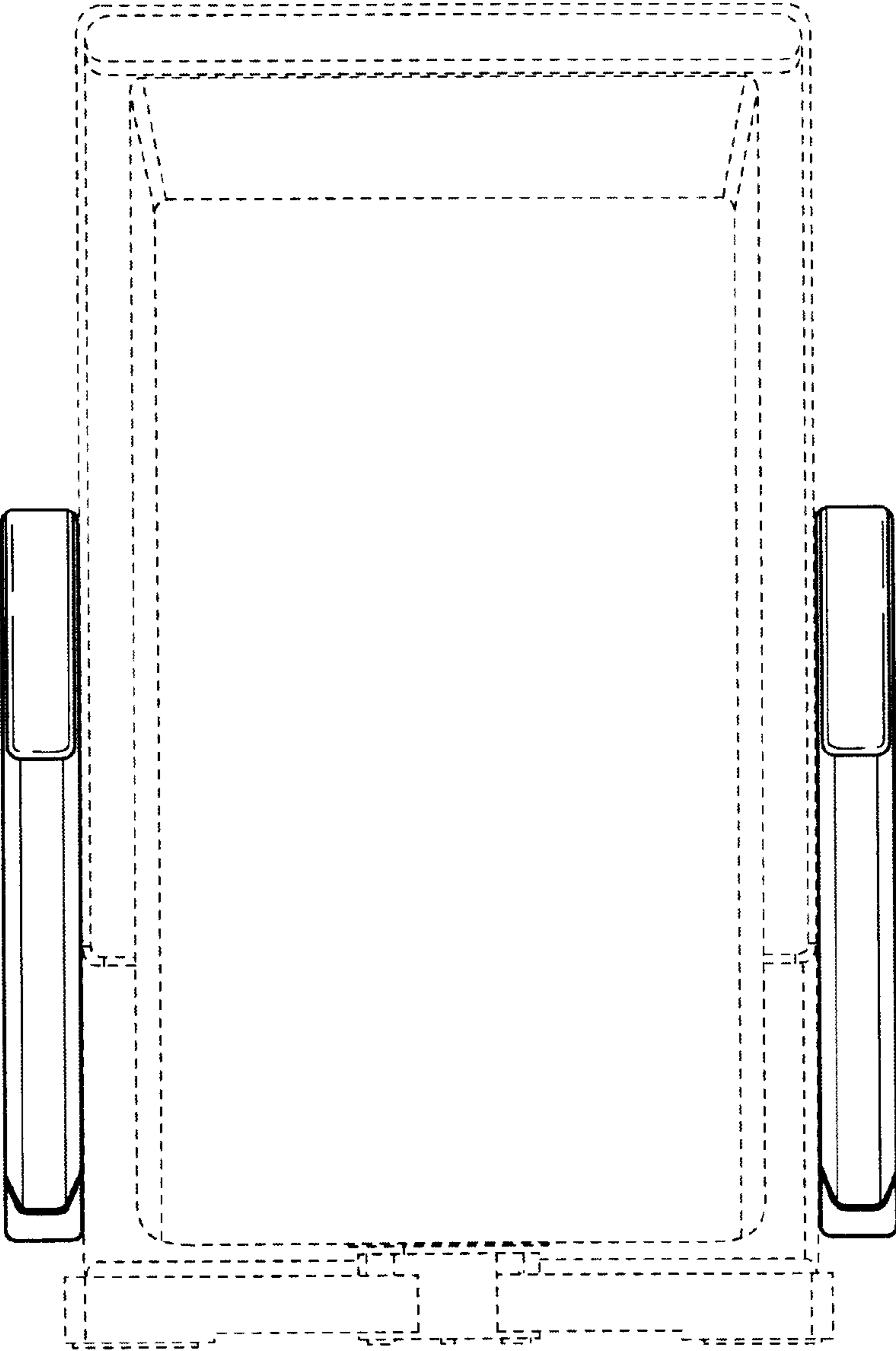


FIG. 3

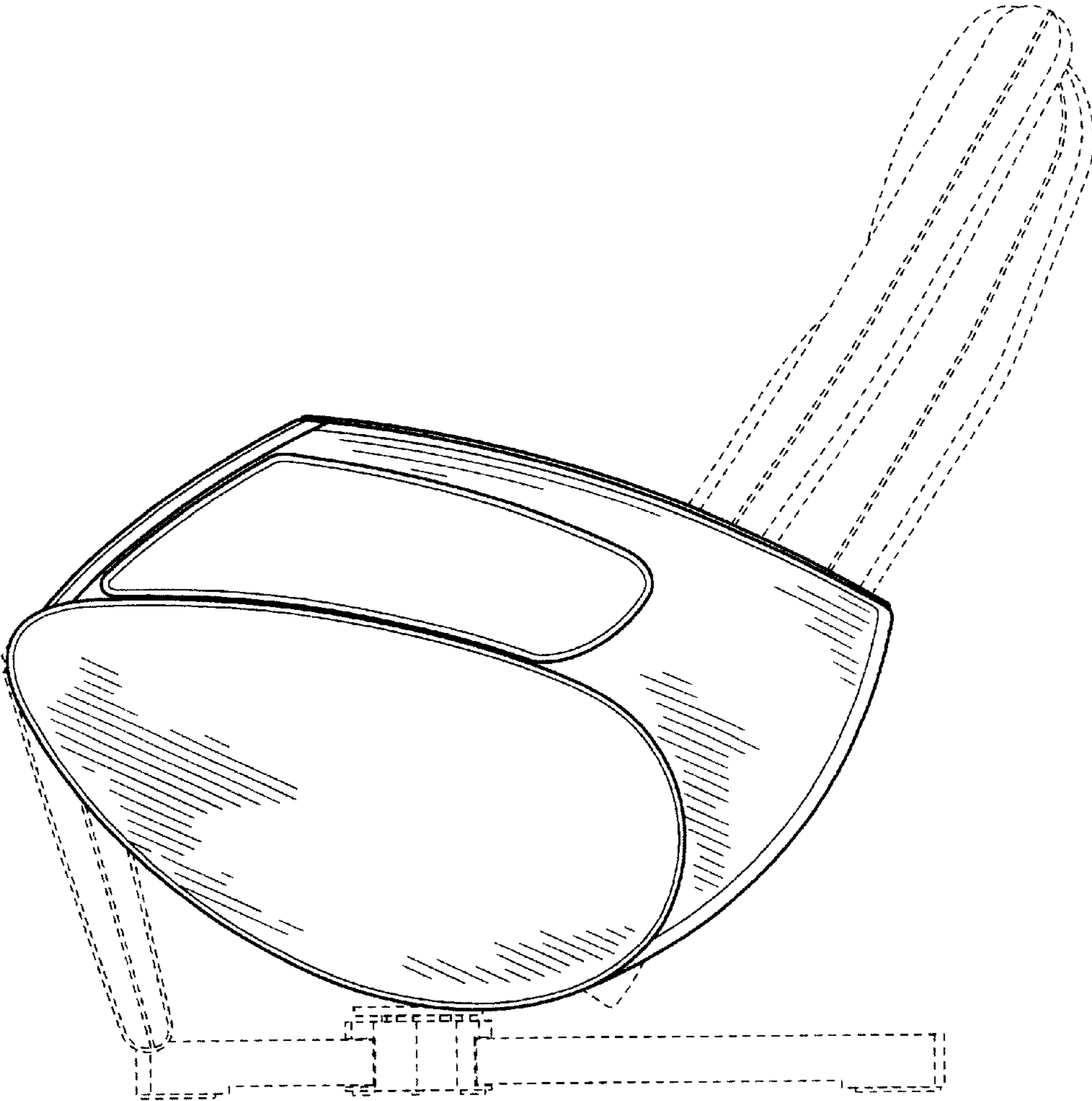


FIG. 4

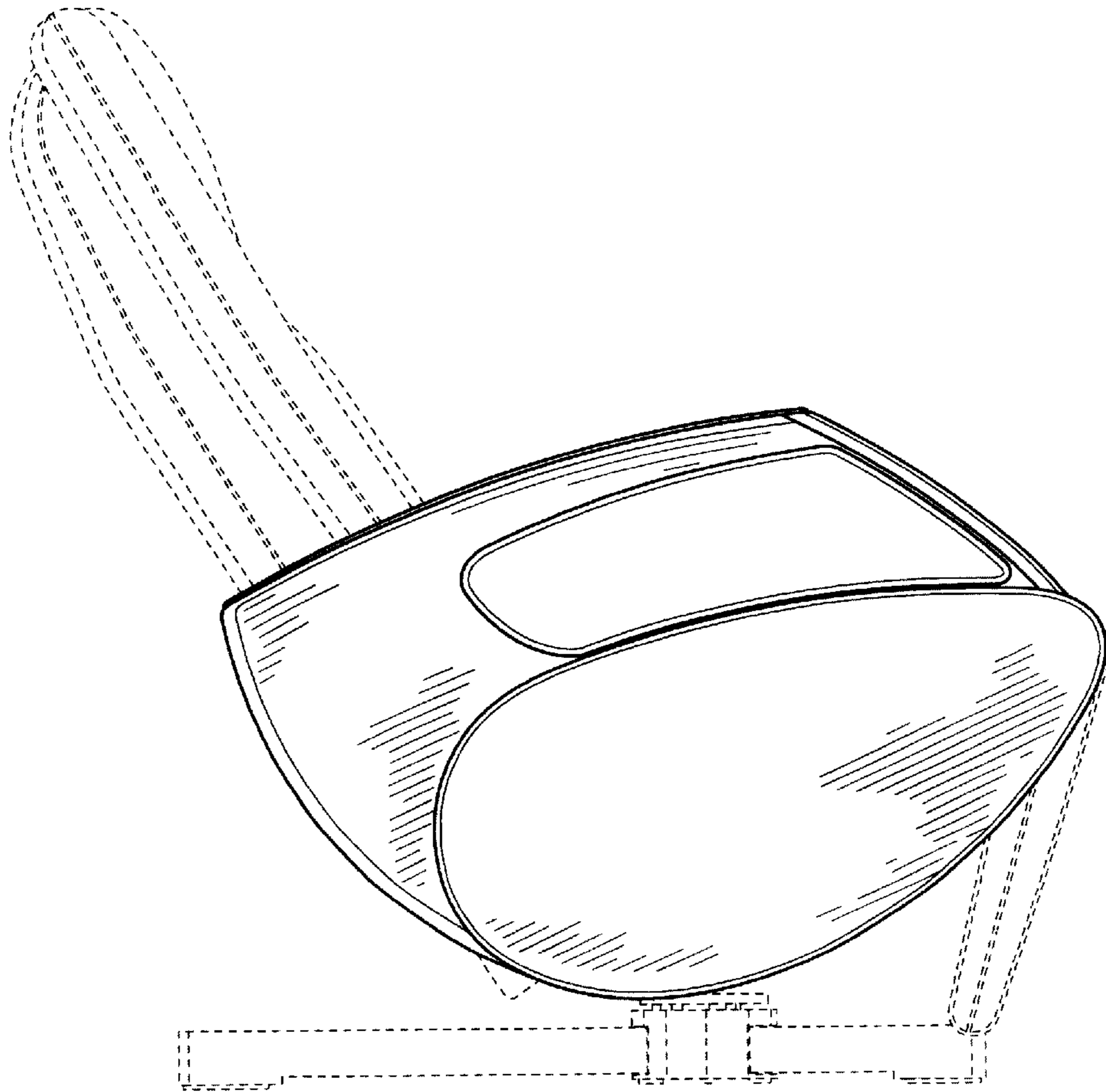


FIG. 5

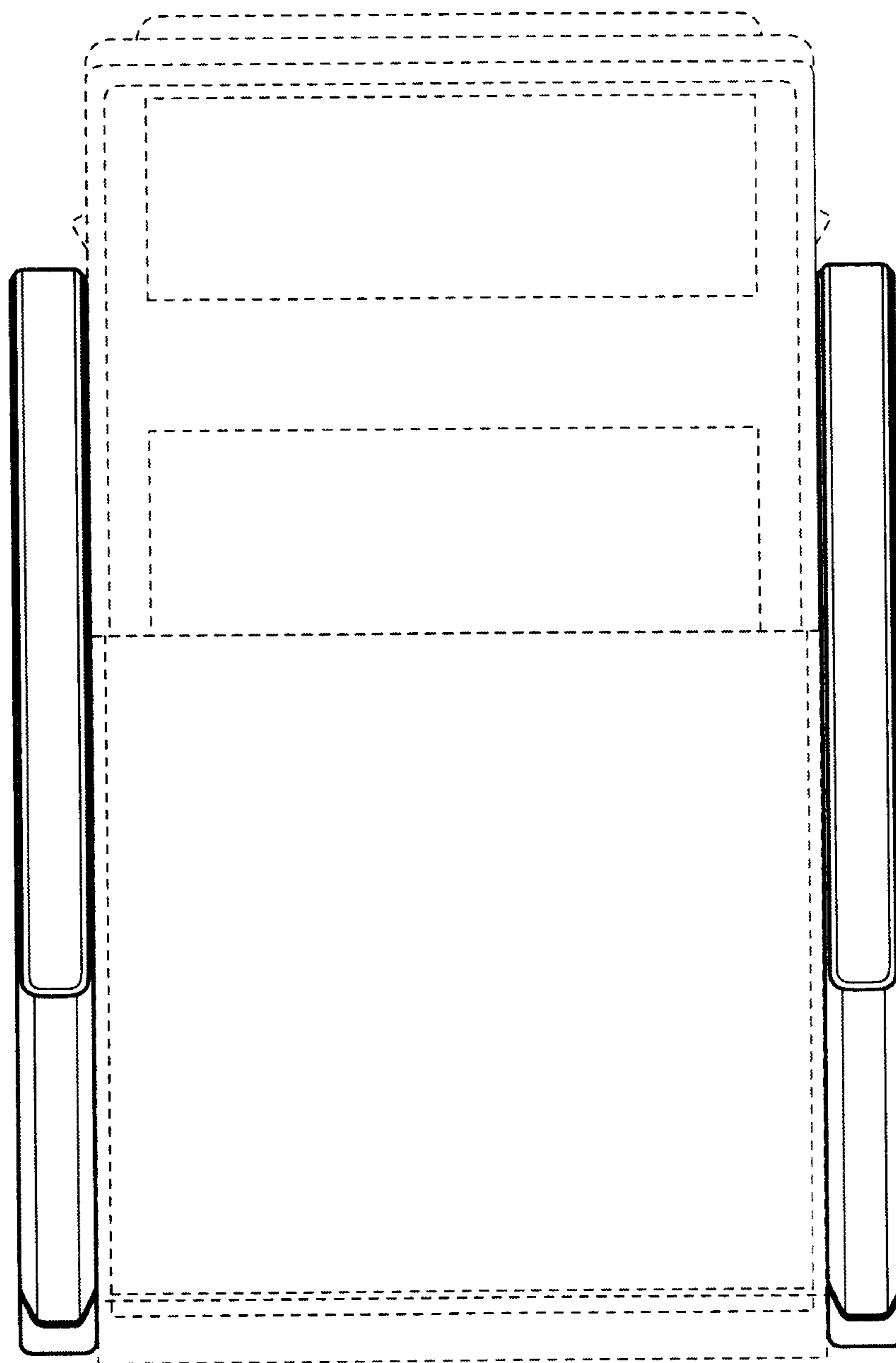


FIG. 6

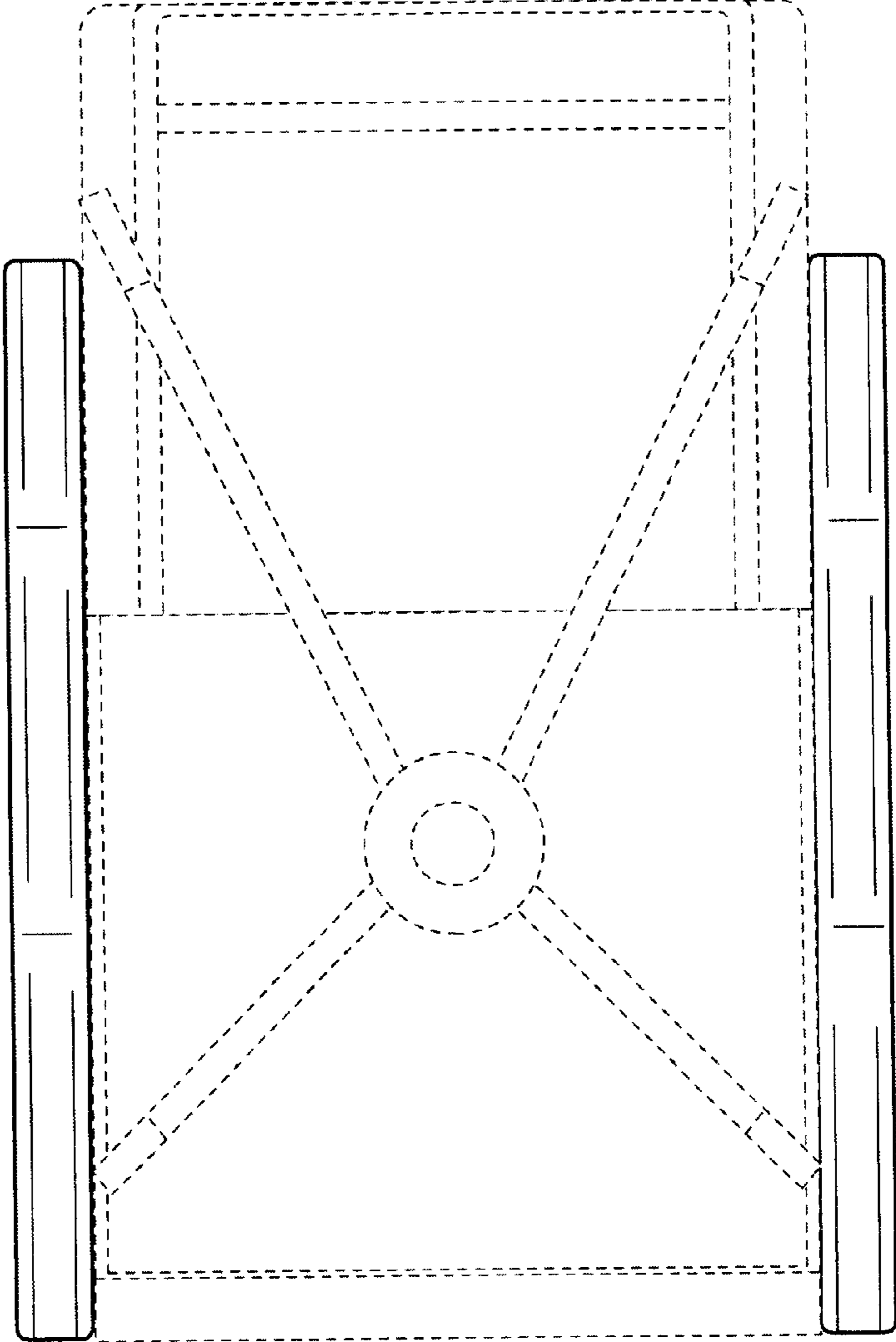


FIG. 7