

US00D534744S

(12) **United States Design Patent**
Bibi

(10) **Patent No.:** **US D534,744 S**
(45) **Date of Patent:** **** Jan. 9, 2007**

- (54) **TABLE**
- (75) Inventor: **Reuben Bibi**, Brooklyn, NY (US)
- (73) Assignee: **E. Josef, Inc.**, Brooklyn, NY (US)
- (**) Term: **14 Years**
- (21) Appl. No.: **29/228,267**
- (22) Filed: **Apr. 21, 2005**
- (51) **LOC (8) Cl.** **06-03**
- (52) **U.S. Cl.** **D6/484; D21/397**
- (58) **Field of Classification Search** D6/480-489,
D6/495-499, 422-426, 451, 429, 430; 108/150,
108/153.1, 155, 156, 157.1, 161, 157.18,
108/11, 62, 34; 248/188, 188.1; D21/397
See application file for complete search history.

(56) **References Cited**
U.S. PATENT DOCUMENTS

- 1,621,688 A * 3/1927 Fridolin D6/484
- 3,001,843 A * 9/1961 Davis 108/62
- D490,254 S * 5/2004 Stanton D6/484

- D513,139 S * 12/2005 Bibi D6/480
- D513,909 S * 1/2006 Bibi D6/484

* cited by examiner

Primary Examiner—Janice Seeger

(74) *Attorney, Agent, or Firm*—Erza Sutton, Esq.

(57) **CLAIM**

The ornamental design for an table, as shown and described.

DESCRIPTION

FIG. 1 is a front perspective view of an table embodying my new design with a first playing surface on the top of the table;

FIG. 2 is a front perspective view of an table embodying my new design with a second playing surface rotated to the top of the table;

FIG. 3 is a front elevational view thereof, and the rear elevational view being a mirror image thereof;

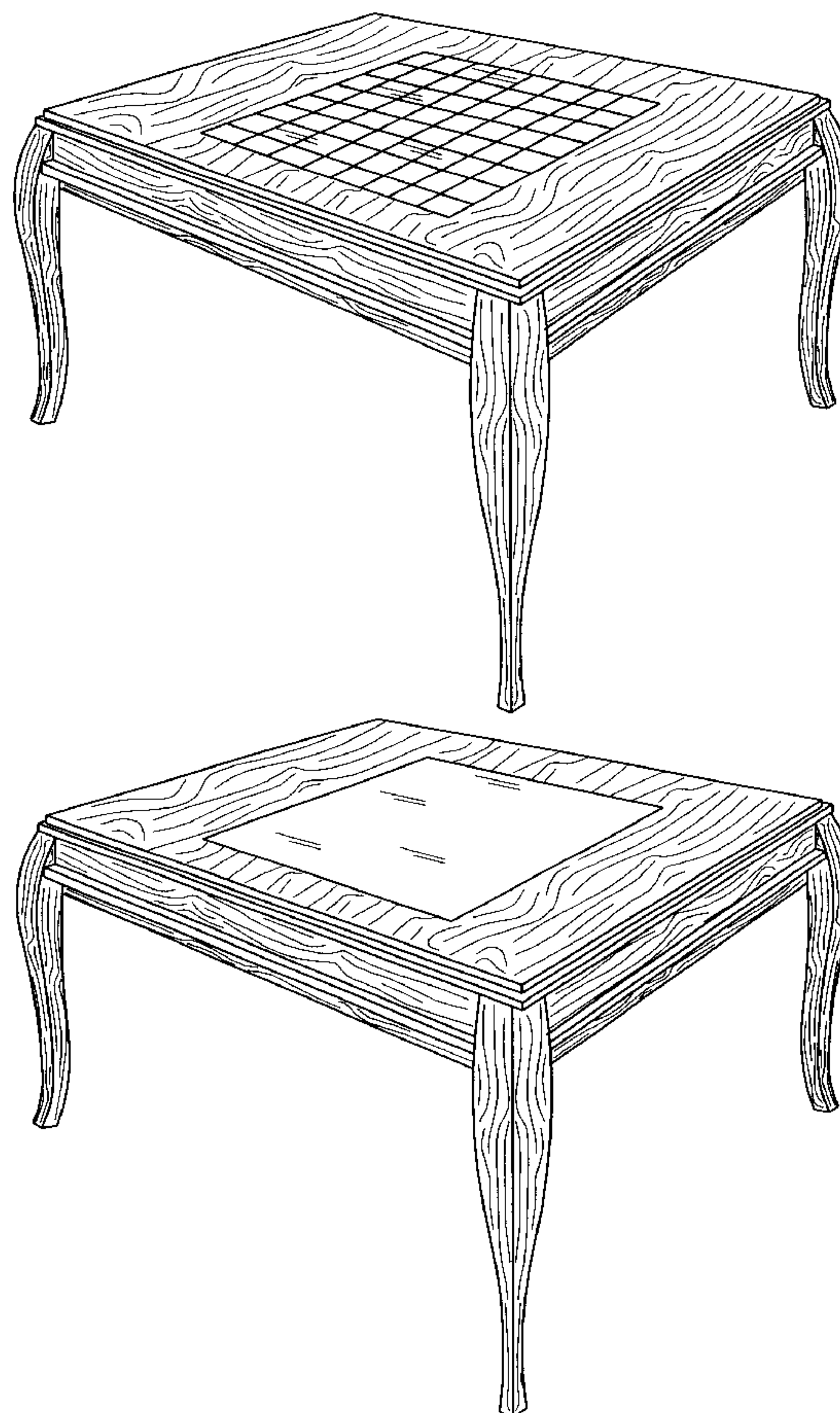
FIG. 4 is a left side elevational view thereof, and the right side elevational view being a mirror image thereof;

FIG. 5 is a top plan view thereof;

FIG. 6 is a bottom plan view thereof; and,

FIG. 7 is a perspective view of an alternate embodiment having a square shape.

1 Claim, 4 Drawing Sheets



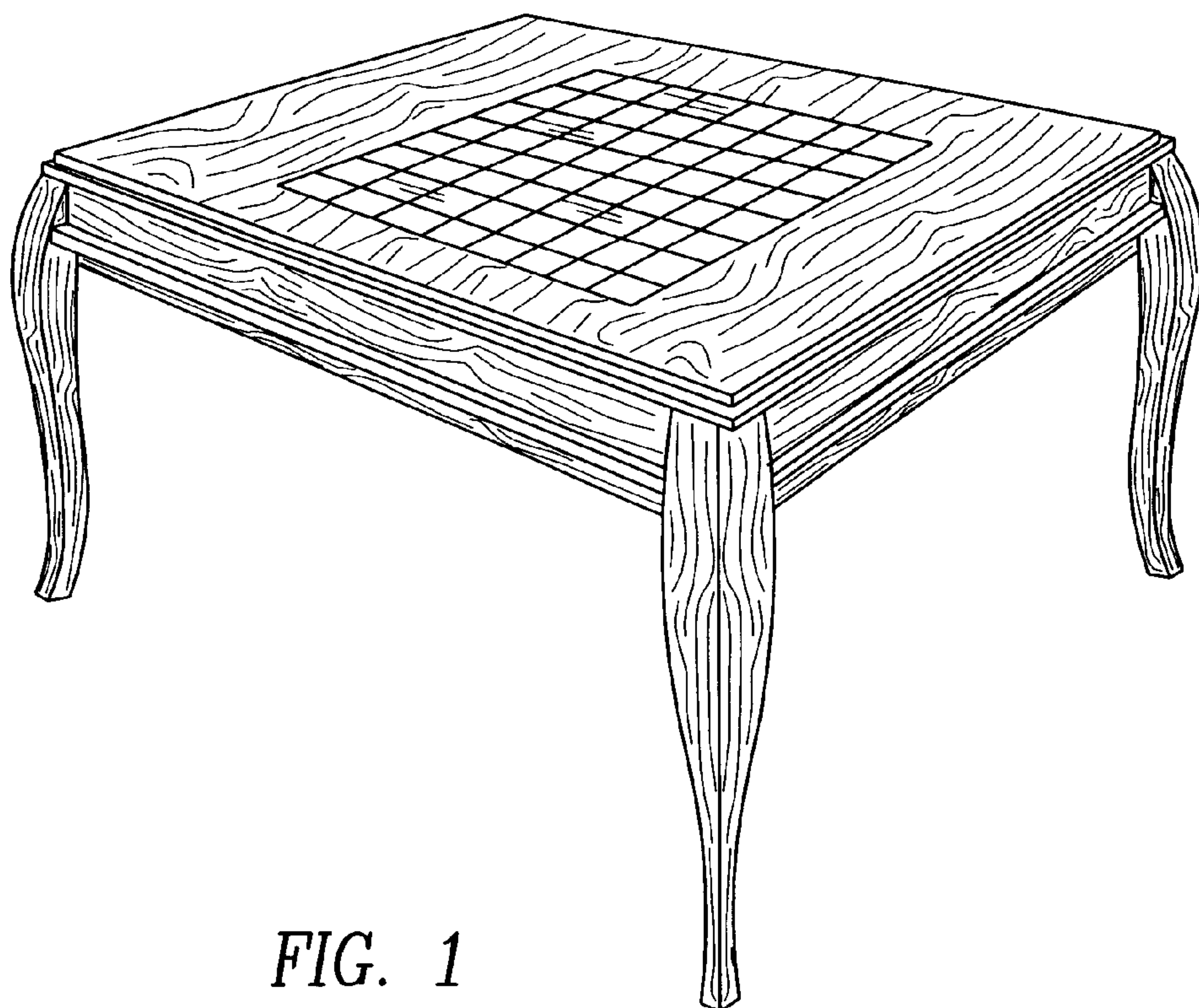


FIG. 1

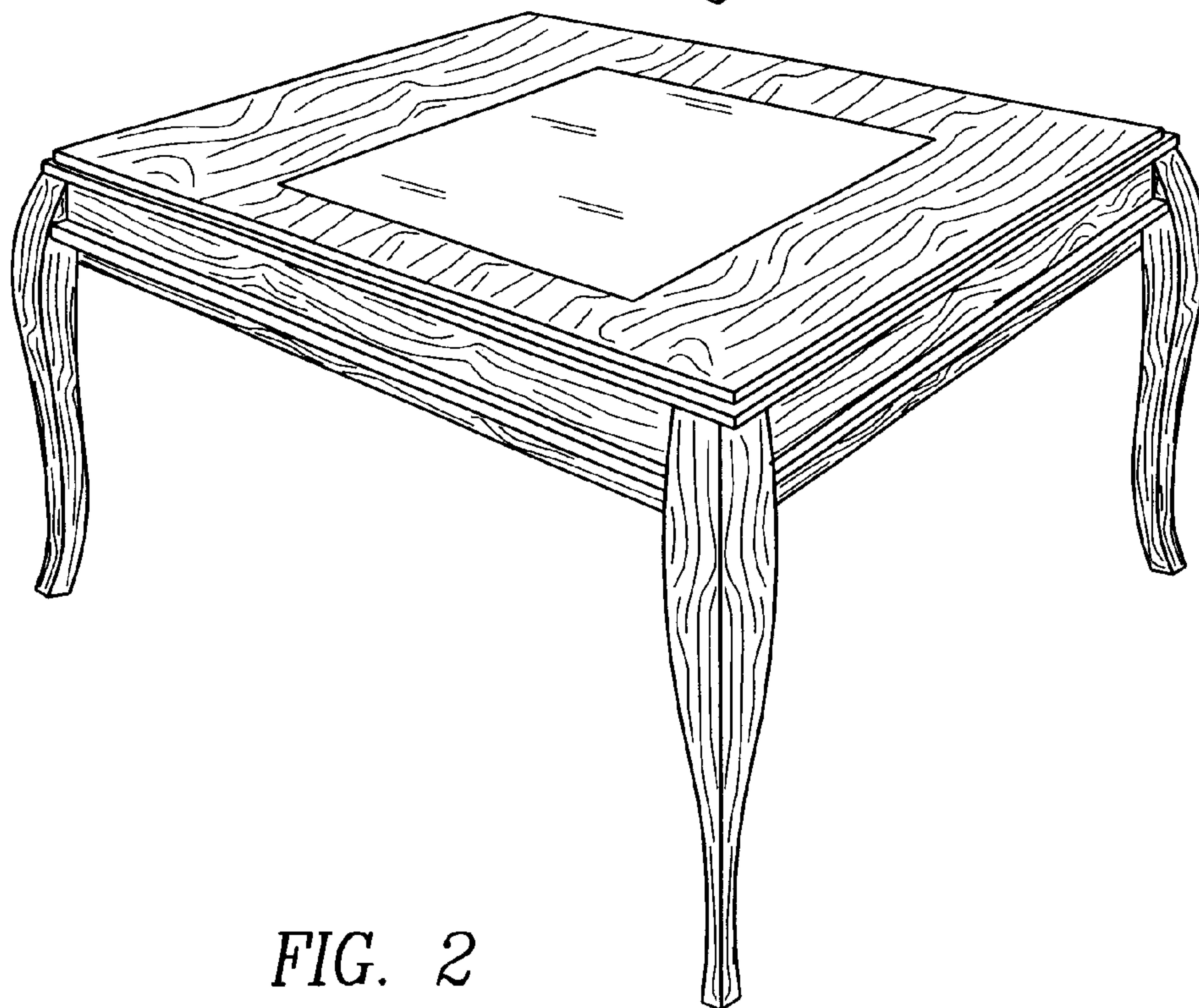


FIG. 2

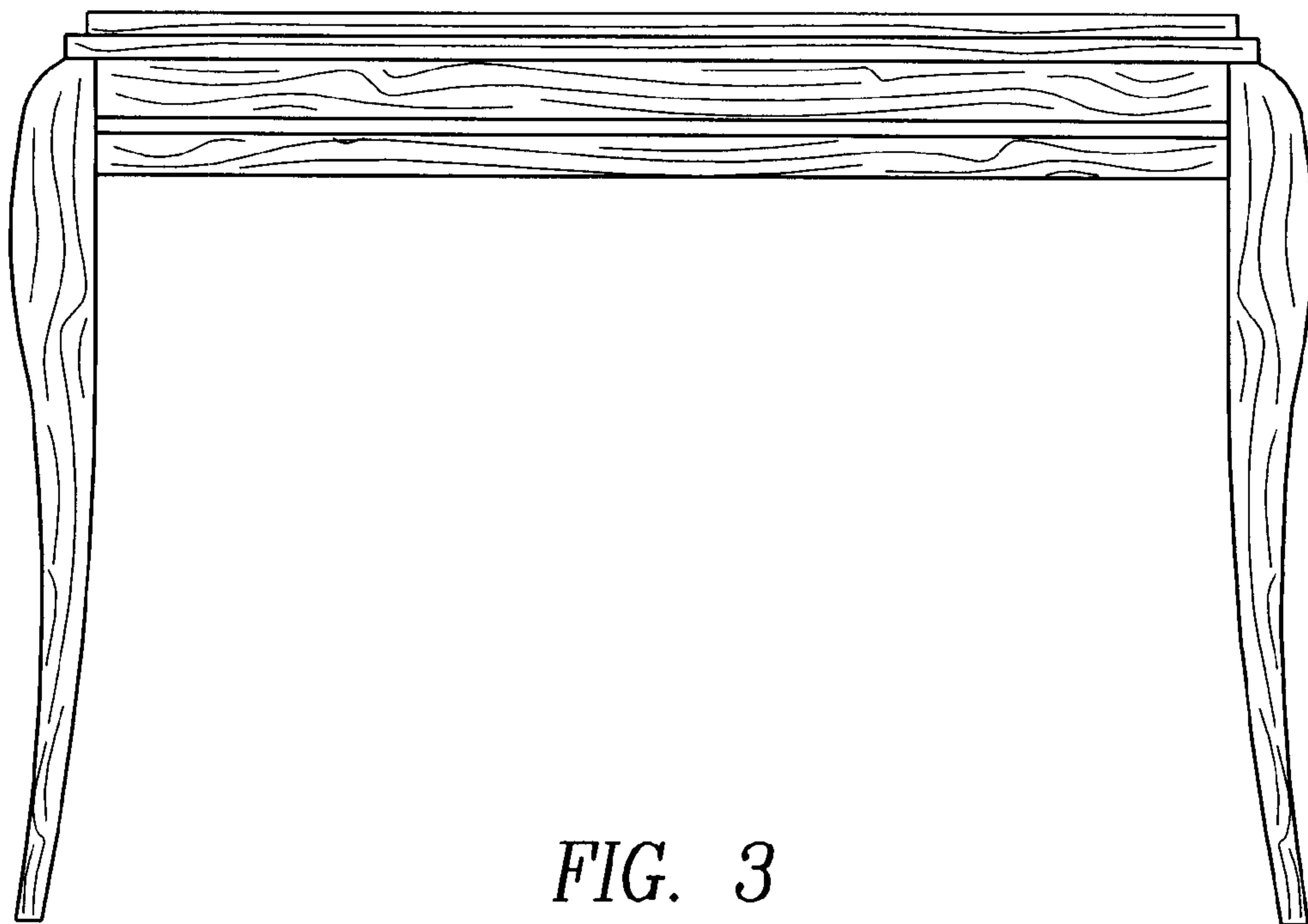


FIG. 3

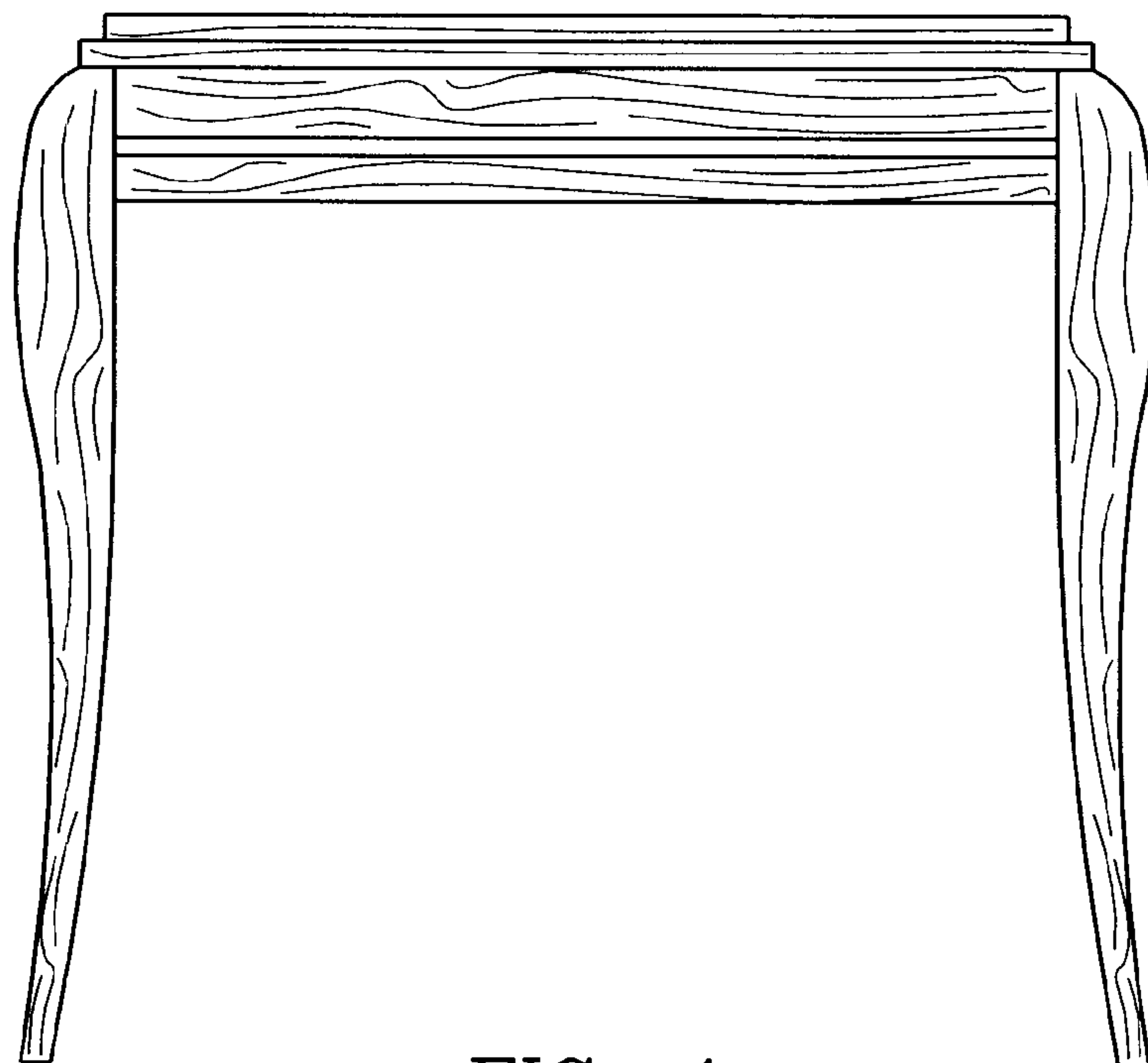


FIG. 4

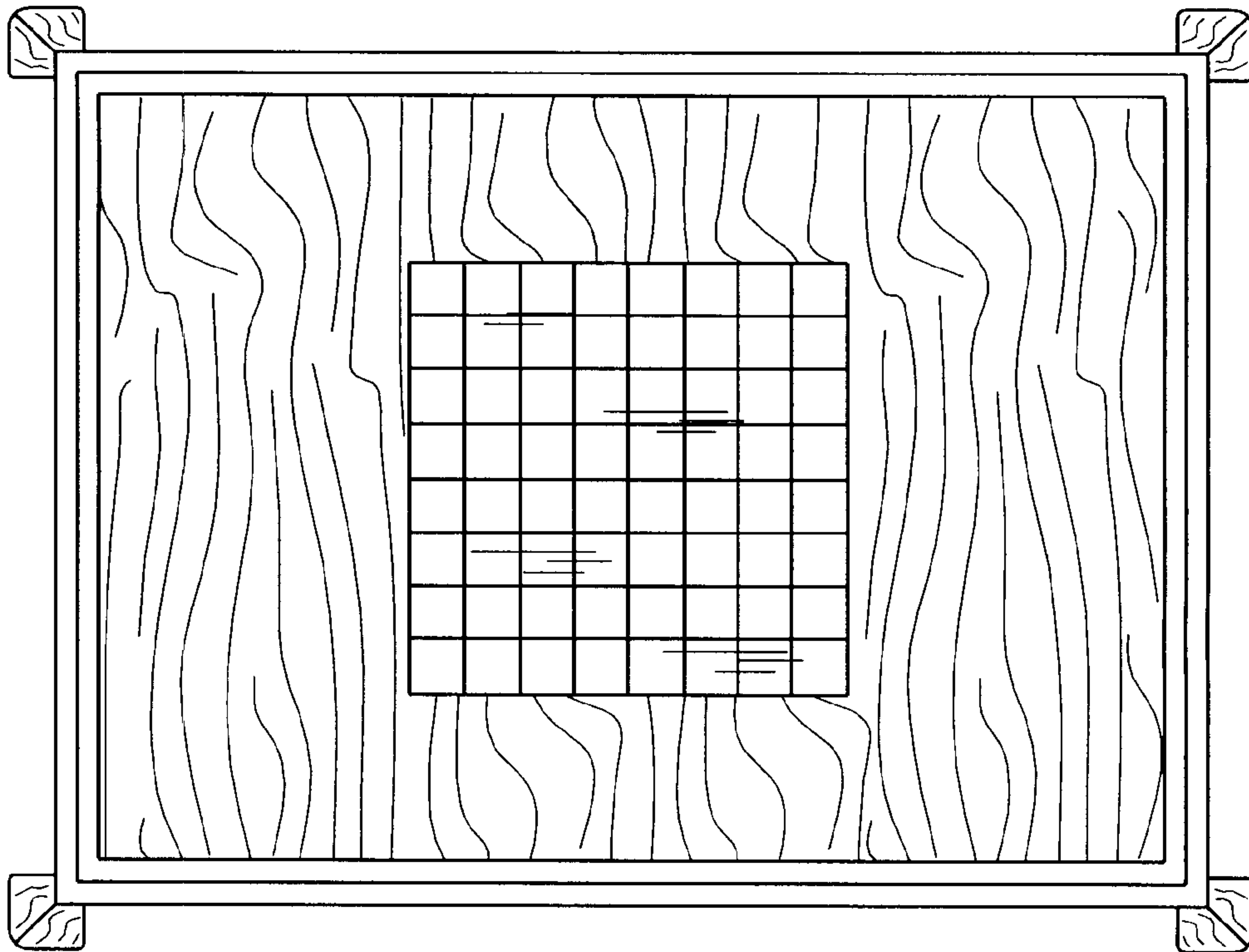


FIG. 5

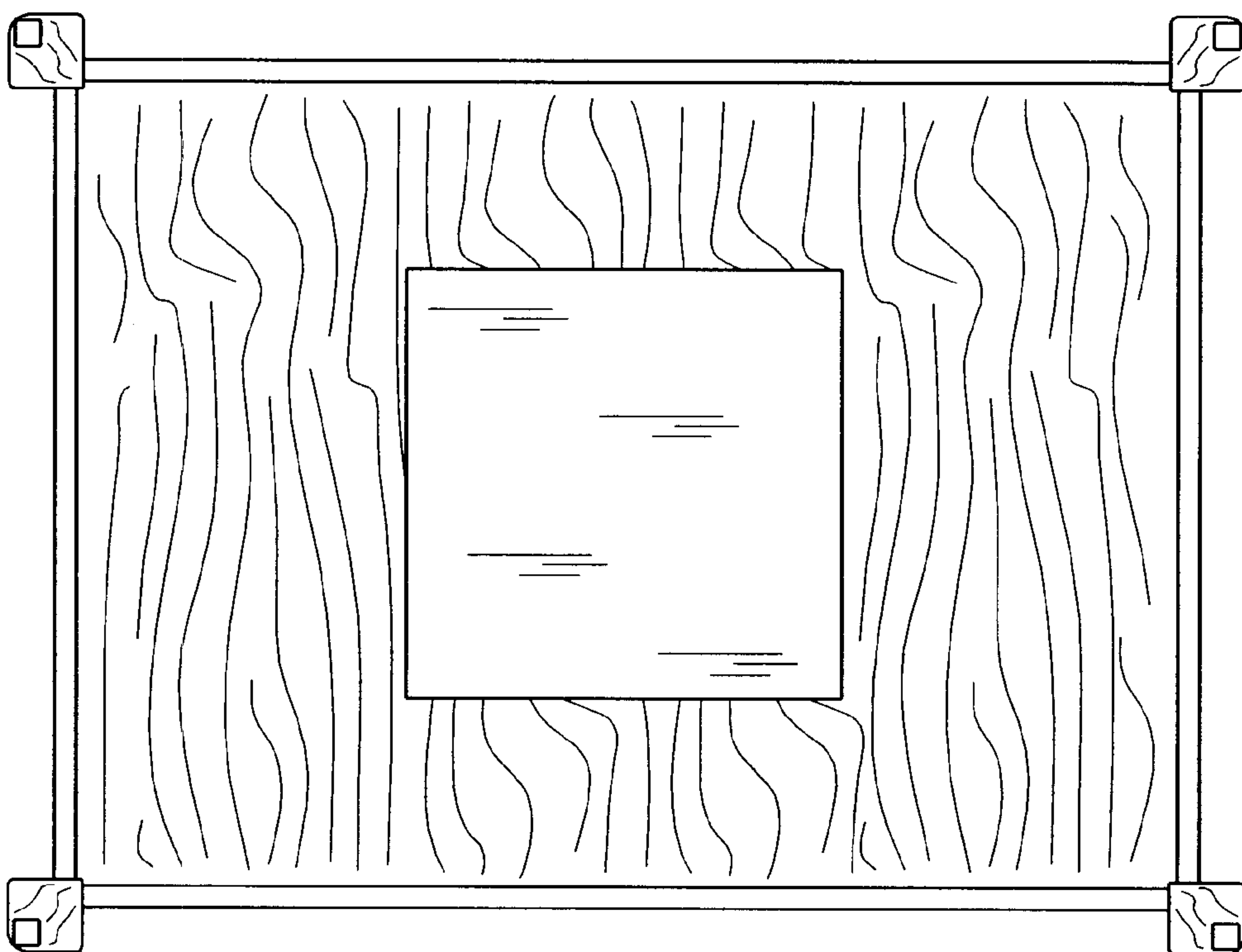


FIG. 6

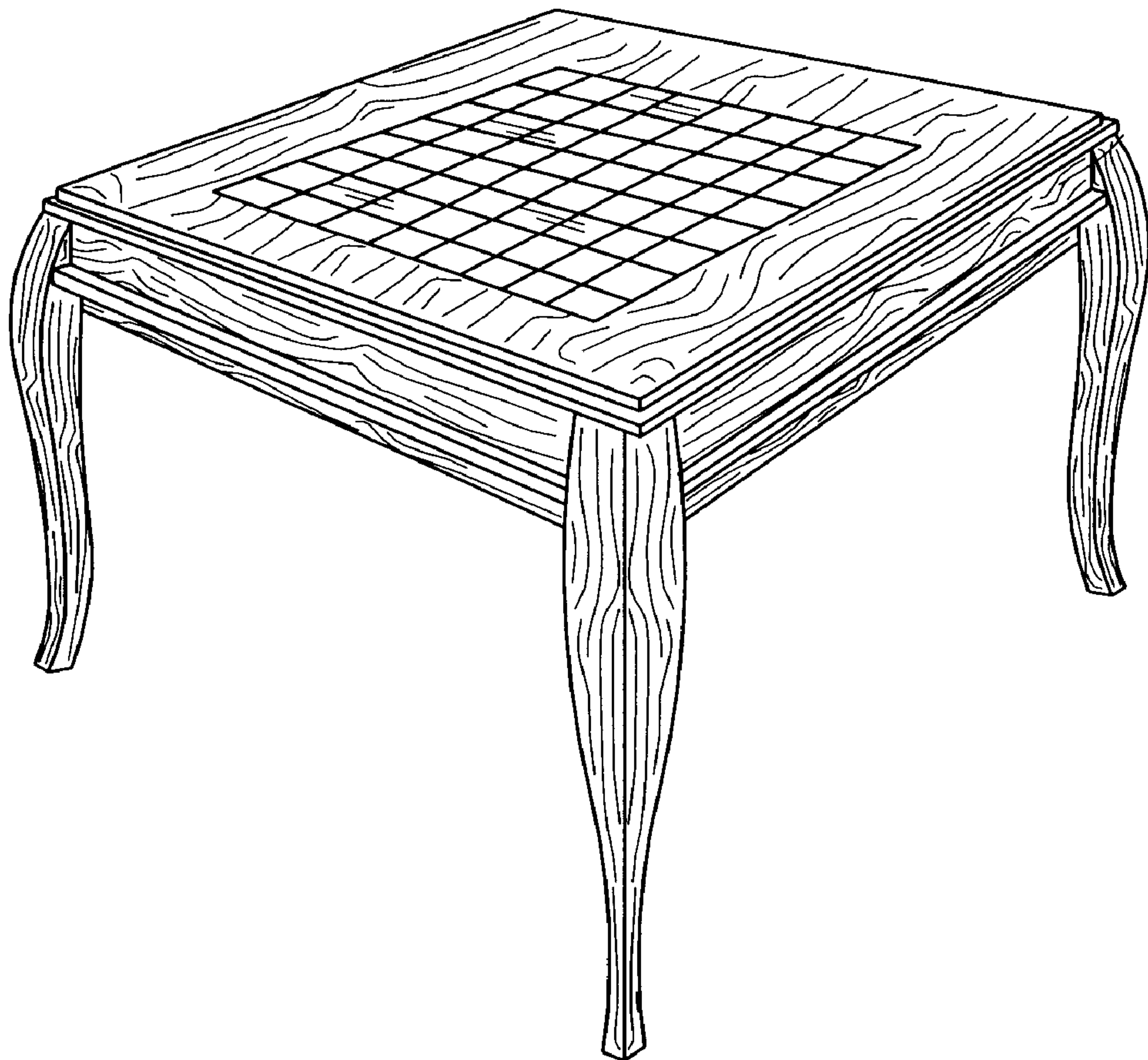


FIG. 7