



US00D534741S

(12) **United States Design Patent**
Lippert

(10) **Patent No.:** **US D534,741 S**

(45) **Date of Patent:** **** Jan. 9, 2007**

(54) **KEYBOARD STAND**

(75) Inventor: **Helmut Lippert**, Breitenbrunn (DE)

(73) Assignee: **König & Meyer GmbH & Co. KG**,
Wertheim (DE)

(**) Term: **14 Years**

(21) Appl. No.: **29/188,714**

(22) Filed: **Aug. 21, 2003**

(30) **Foreign Application Priority Data**

Mar. 4, 2003 (DE) 4 03 01 808

(51) **LOC (8) Cl.** **06-04**

(52) **U.S. Cl.** **D6/462**

(58) **Field of Classification Search** D6/462,
D6/466, 455; 211/85.6, 165, 196; 248/163.1,
248/125.1, 201; 362/141; D17/13, 99, 20
See application file for complete search history.

(56) **References Cited**

U.S. PATENT DOCUMENTS

404,110 A * 5/1889 Pinous 362/141

1,045,583 A * 11/1912 Mills 211/85.6
1,639,318 A * 8/1927 Viewegh 248/163.1
1,975,303 A * 10/1934 Walker et al. 248/125.1
D469,278 S * 1/2003 Lippert D6/466
D469,630 S * 2/2003 Lippert D6/466

* cited by examiner

Primary Examiner—Holly H. Baynham

(74) *Attorney, Agent, or Firm*—Friedrich Kueffner

(57) **CLAIM**

The ornamental design for a keyboard stand, as shown and described.

DESCRIPTION

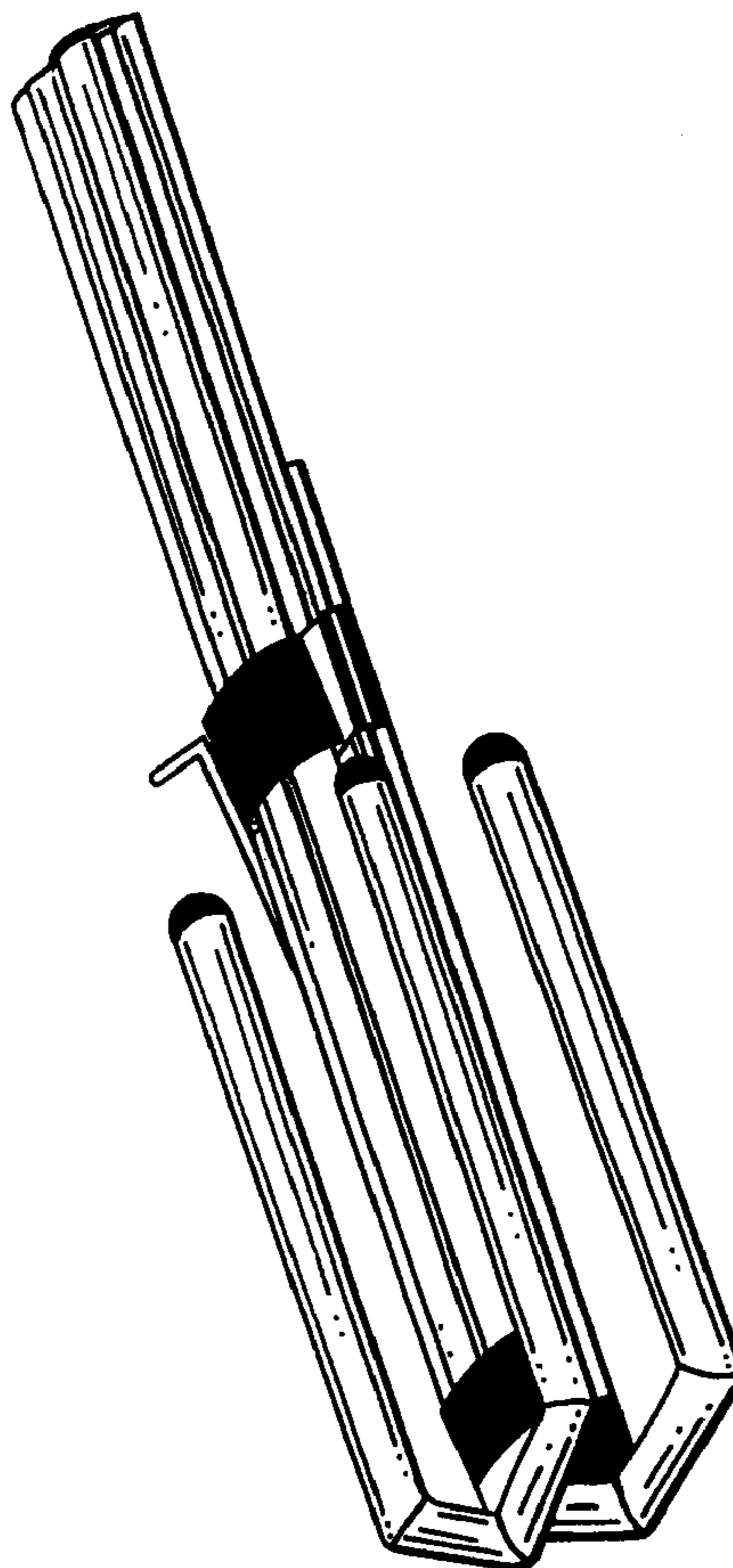
FIG. 1 is a perspective view in the collapsed state of a keyboard stand, showing my new design;

FIG. 2 is a perspective front view in the set-up state;

FIG. 3 is a perspective side view in the set-up state; and,

FIG. 4 is another perspective view in the collapsed state.

1 Claim, 1 Drawing Sheet



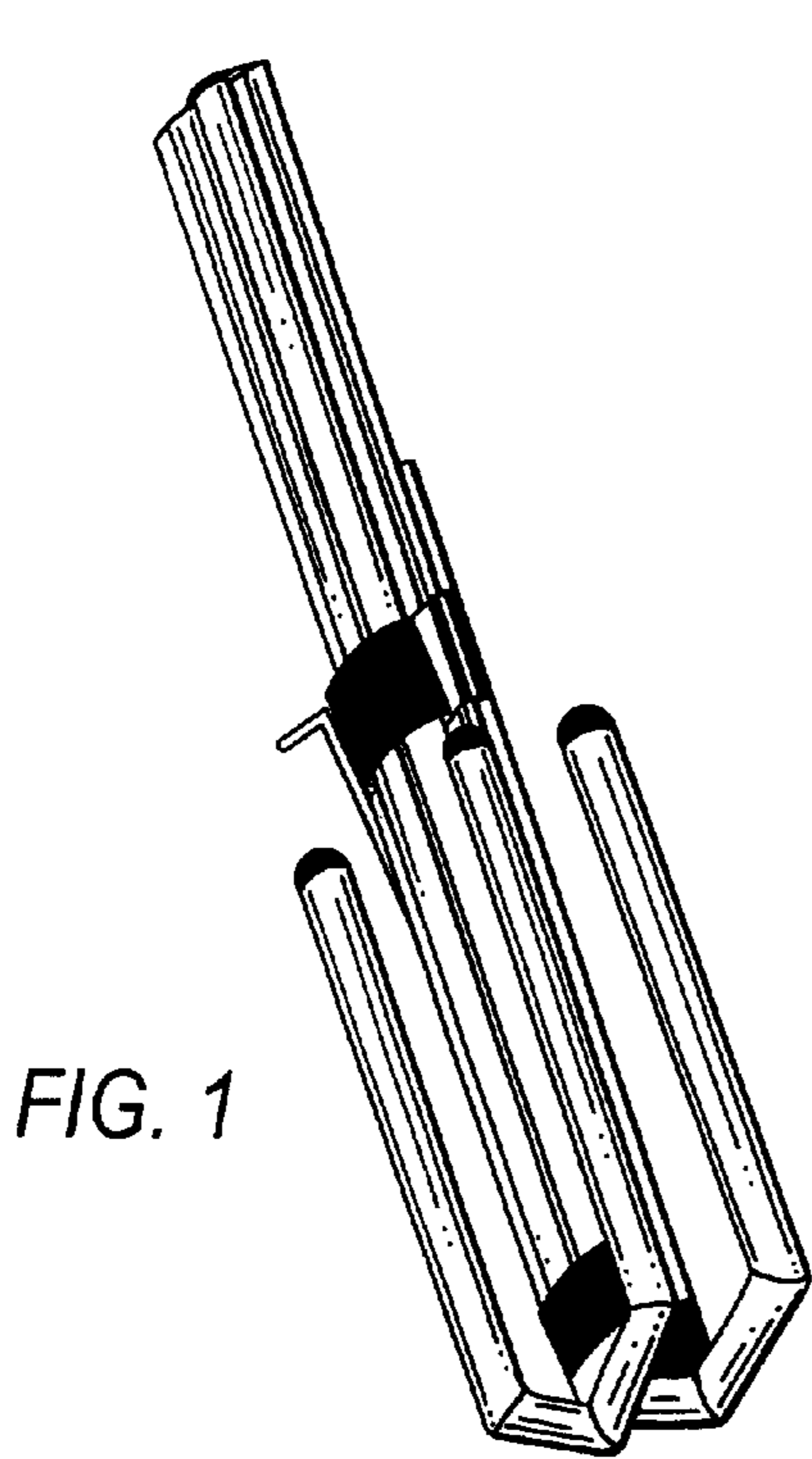


FIG. 1

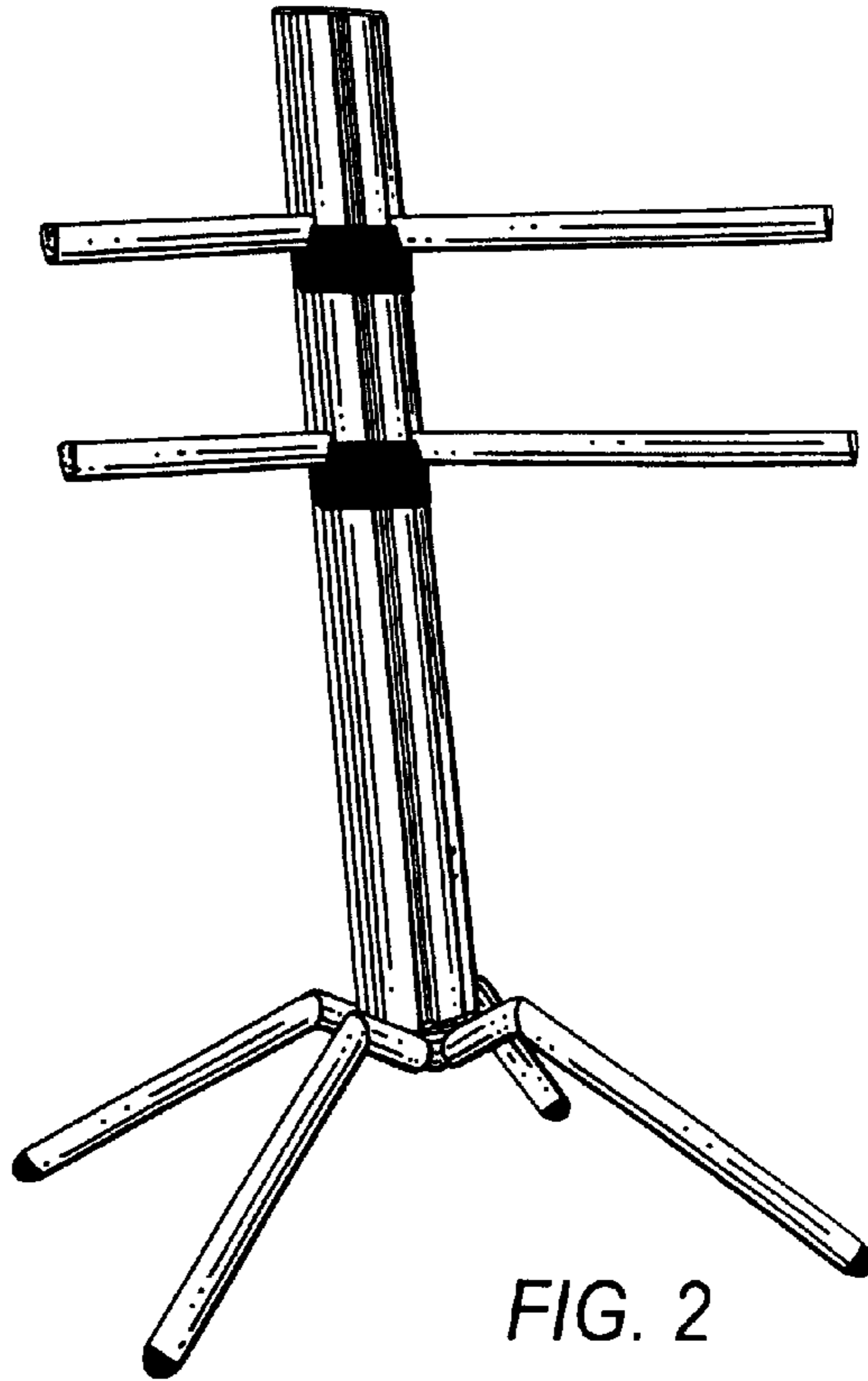


FIG. 2

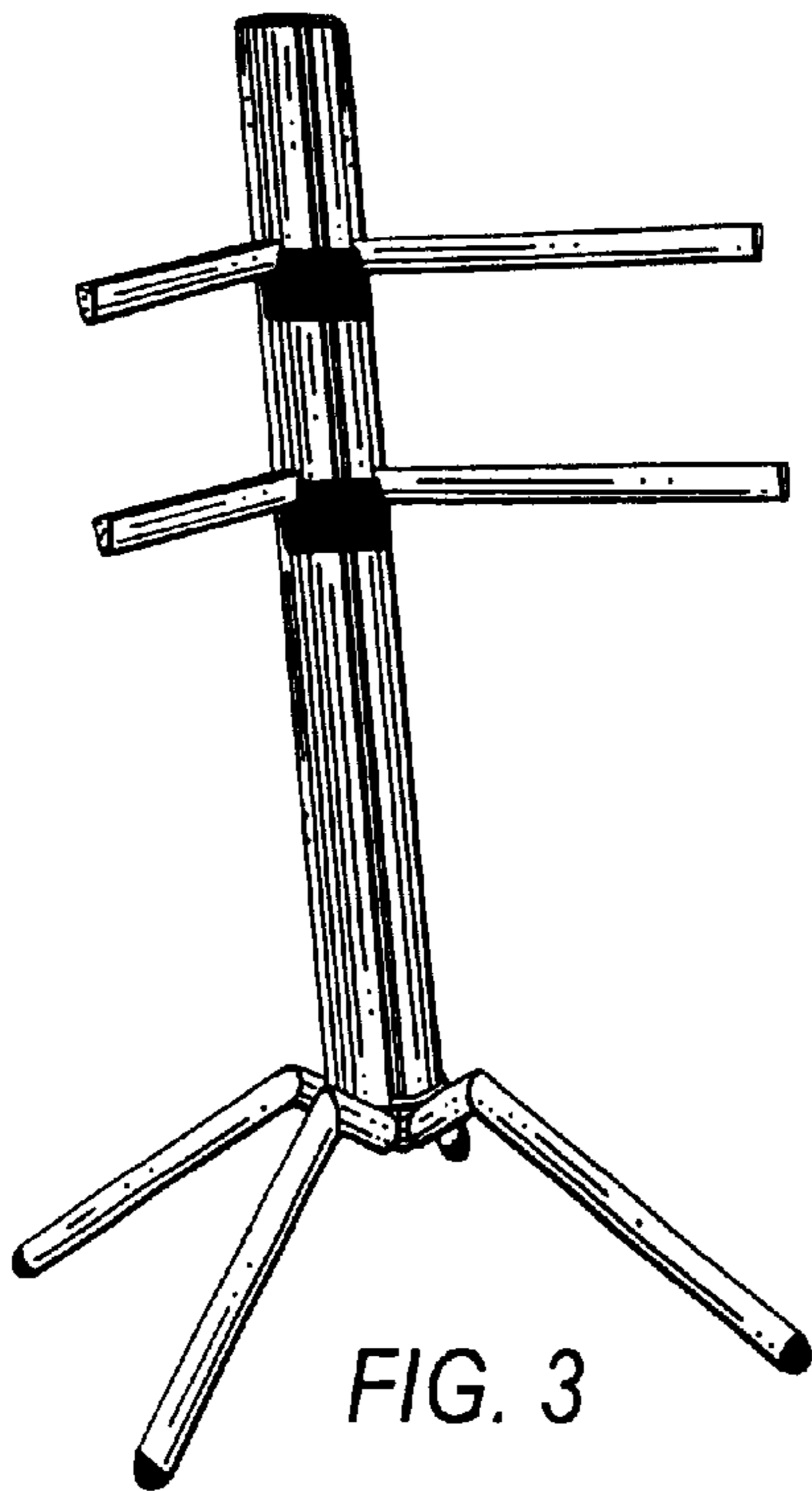


FIG. 3

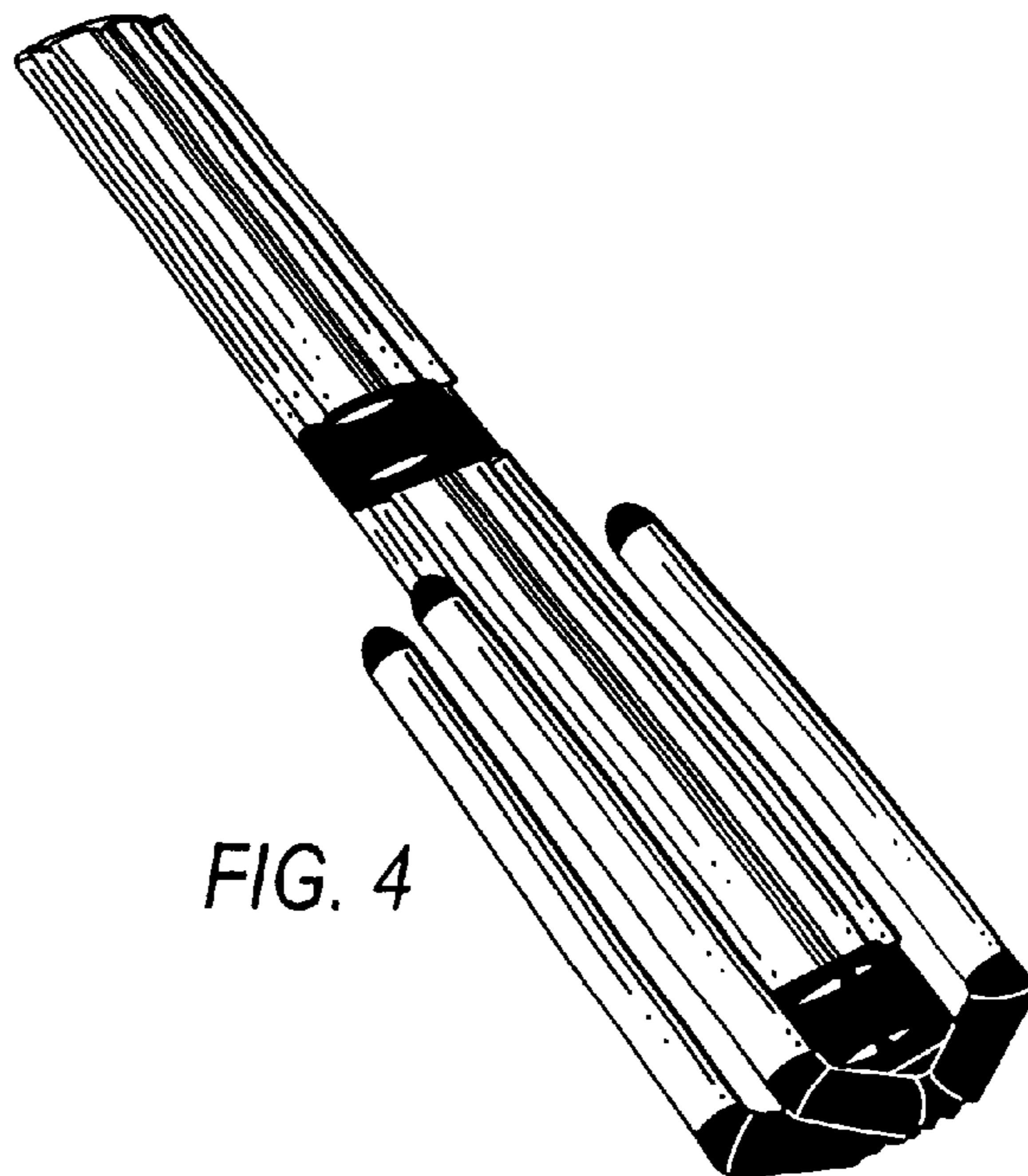


FIG. 4