



US00D534737S

(12) **United States Design Patent**
Giacometti

(10) **Patent No.:** **US D534,737 S**

(45) **Date of Patent:** **** *Jan. 9, 2007**

(54) **CABINET WITH TWO DOORS MOVABLE IN FRONT OF ONE ANOTHER**

D470,335 S * 2/2003 Brooks D6/446
D472,070 S * 3/2003 de Carolis D6/441
D496,539 S * 9/2004 De Blois D6/446

(75) Inventor: **Alberto Giacometti**, Como (IT)

* cited by examiner

(73) Assignee: **Unifor S.p.A.**, Turate (IT)

Primary Examiner—Cathron C. Brooks

(*) Notice: This patent is subject to a terminal disclaimer.

(74) *Attorney, Agent, or Firm*—Wenderoth, Lind & Ponack, L.L.P.

(**) Term: **14 Years**

(57) **CLAIM**

(21) Appl. No.: **29/221,235**

The ornamental design for a cabinet with two doors movable in front of one another, as shown and described.

(22) Filed: **Jan. 14, 2005**

DESCRIPTION

(30) **Foreign Application Priority Data**

Jul. 16, 2004 (IT) MI2004 000174

(51) **LOC (8) Cl.** **06-04**

(52) **U.S. Cl.** **D6/446**

(58) **Field of Classification Search** D6/460,
D6/461, 468, 474, 477-479, 470-472; 108/59,
108/91, 92, 96, 107; 211/40, 41.12, 42, 49.1,
211/50, 85.2, 90.04, 187, 190, 119.003, 134.153,
211/87.01, 71.01

See application file for complete search history.

FIG. 1 is a front elevation view of the cabinet with the doors thereof shown in a closed condition;

FIG. 2 is a side perspective view of the cabinet with a door thereof shown in a partly open condition;

FIG. 3 is a partial perspective view of a top portion of the cabinet at the circled area of FIG. 2 but as seen from the front, top and left sides of the cabinet, showing the detail of a prismatic front edge of a central upright panel of the cabinet;

FIG. 4 is a partial perspective view of a bottom portion of the cabinet at the circled area of FIG. 2 showing the detail of a front edge of a central upright panel of the cabinet and connecting a door to the cabinet;

FIG. 5 is a left side view of the cabinet;

FIG. 6 is a right side view of the cabinet;

FIG. 7 is a top view of the cabinet;

FIG. 8 is a bottom view of the cabinet; and,

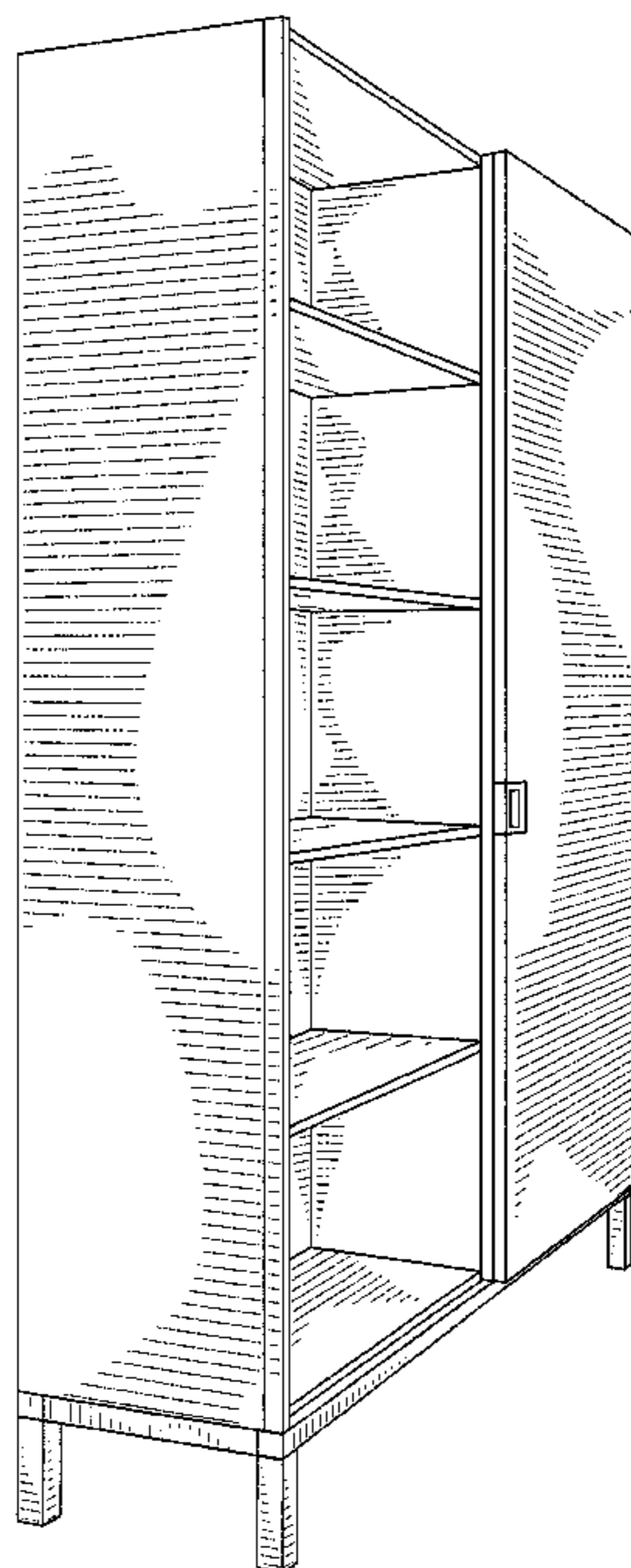
FIG. 9 is a perspective view of the cabinet from the left side with a left side door in a fully open position.

(56) **References Cited**

U.S. PATENT DOCUMENTS

D127,208 S * 5/1941 Johnson et al. D6/470
D172,116 S * 5/1954 Weiss et al. D6/470
D239,804 S * 5/1976 Lundberg D6/445
D264,658 S * 6/1982 de Polo et al. D6/436
D362,366 S * 9/1995 Temple et al. D6/631
D409,456 S * 5/1999 Deslandes D7/600.4
D433,264 S * 11/2000 Lindeqvist et al. D6/631

1 Claim, 6 Drawing Sheets



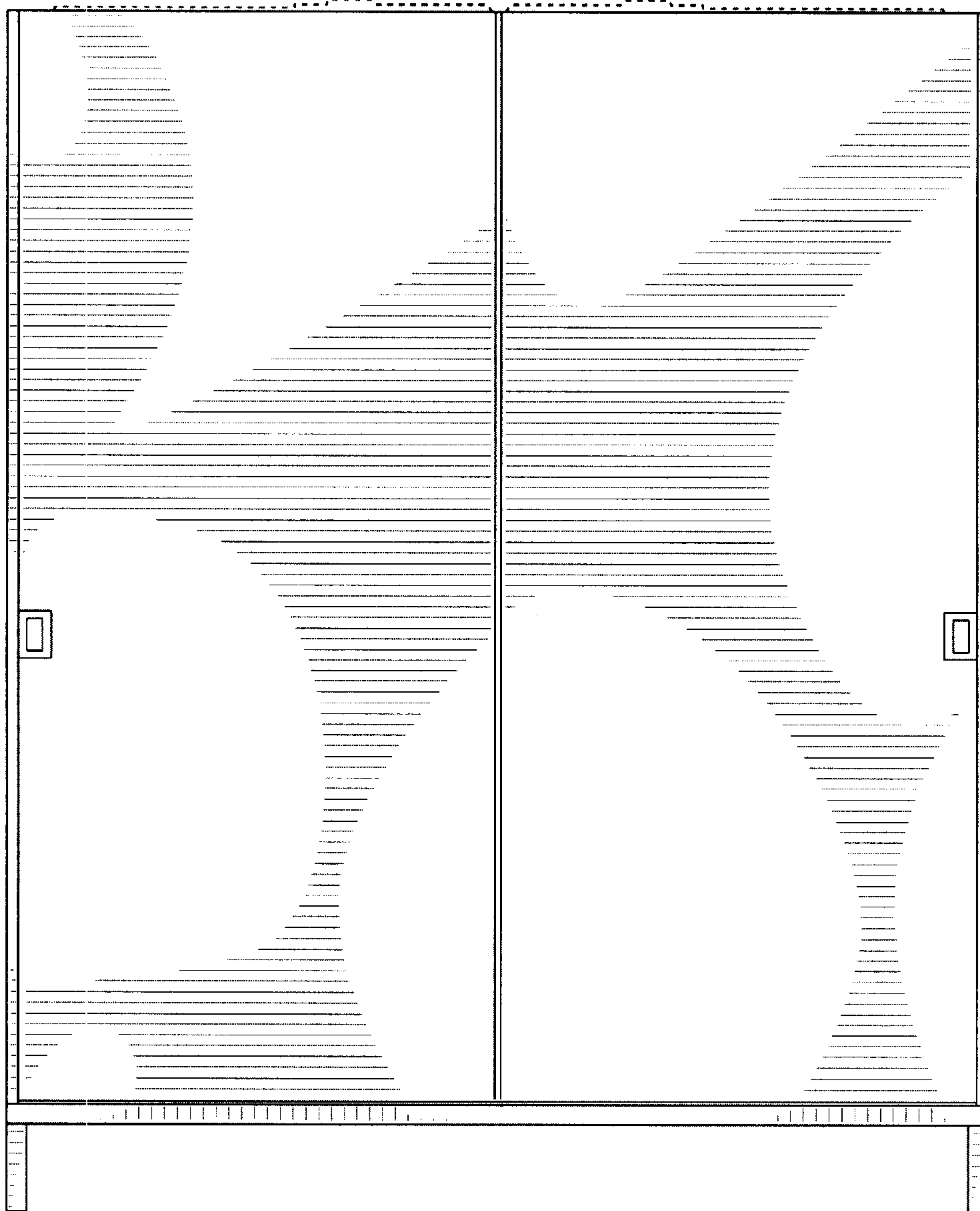


FIG. 1

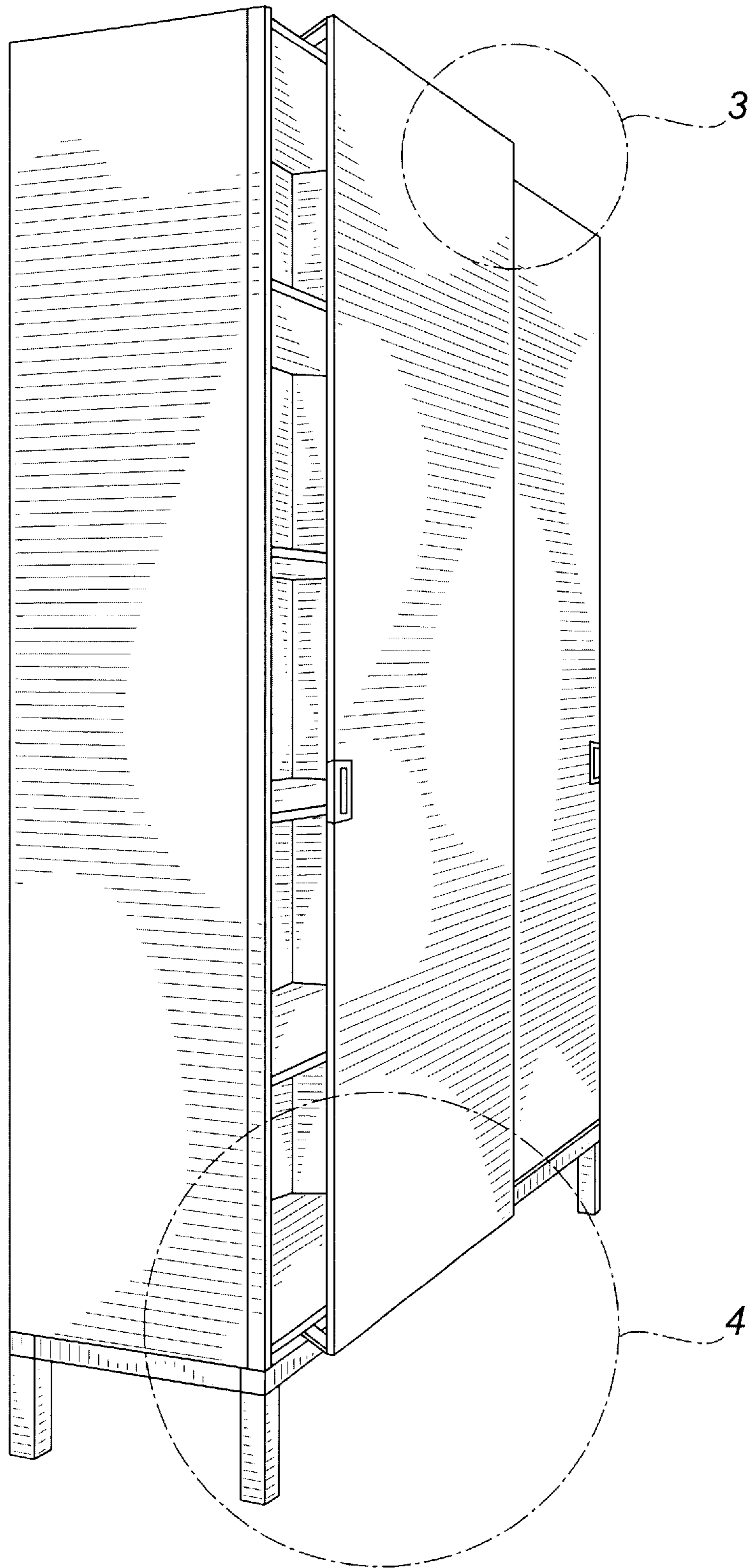


FIG. 2

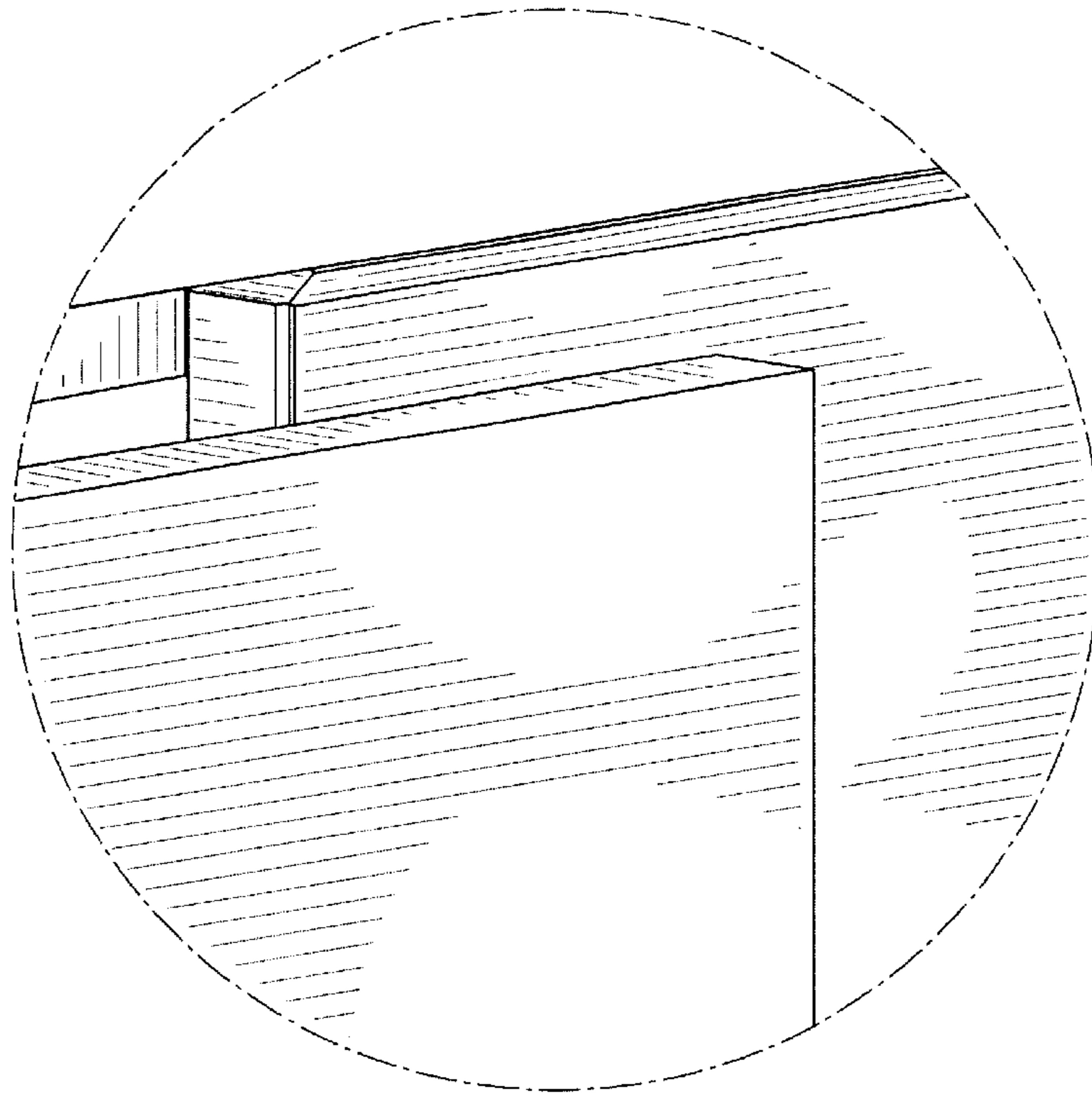


FIG. 3

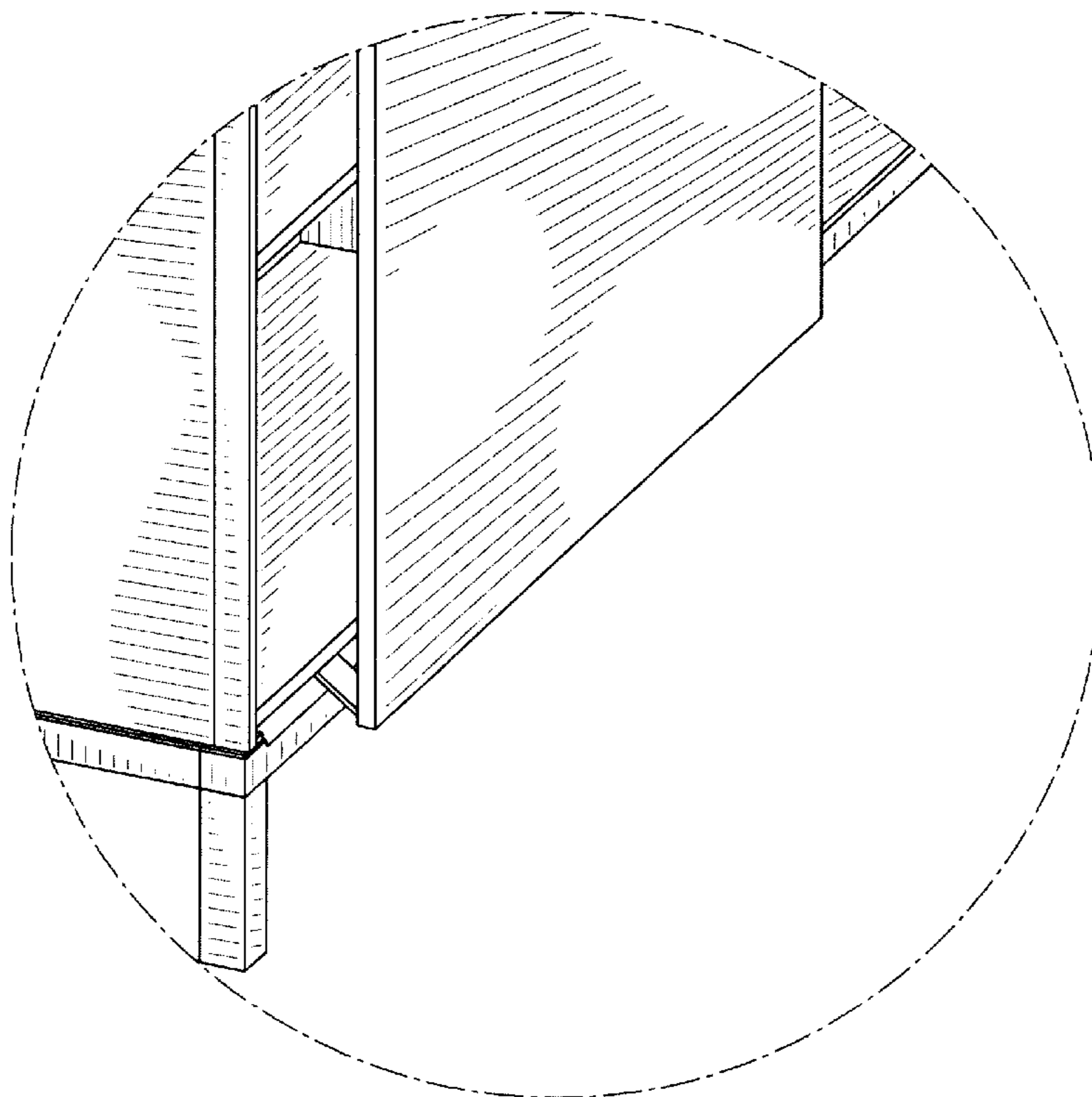


FIG. 4

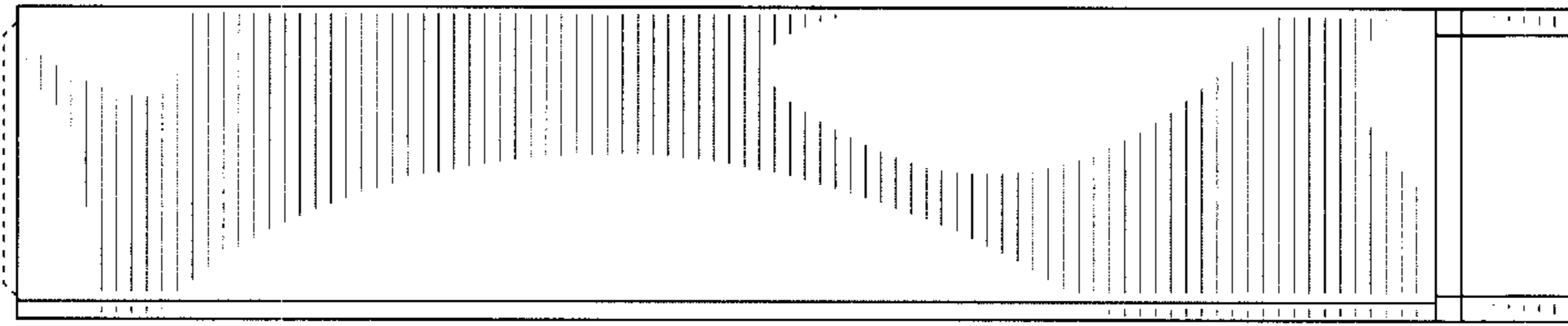


FIG. 6

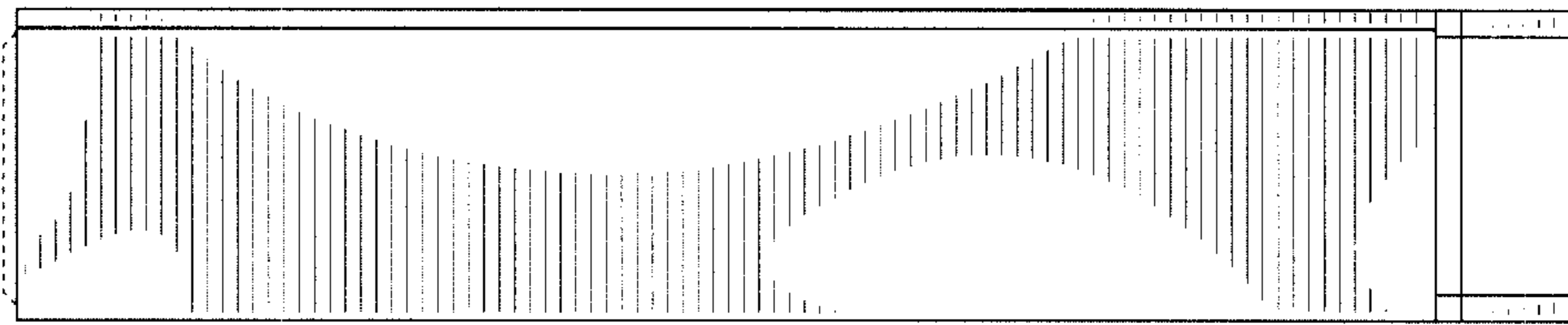


FIG. 5

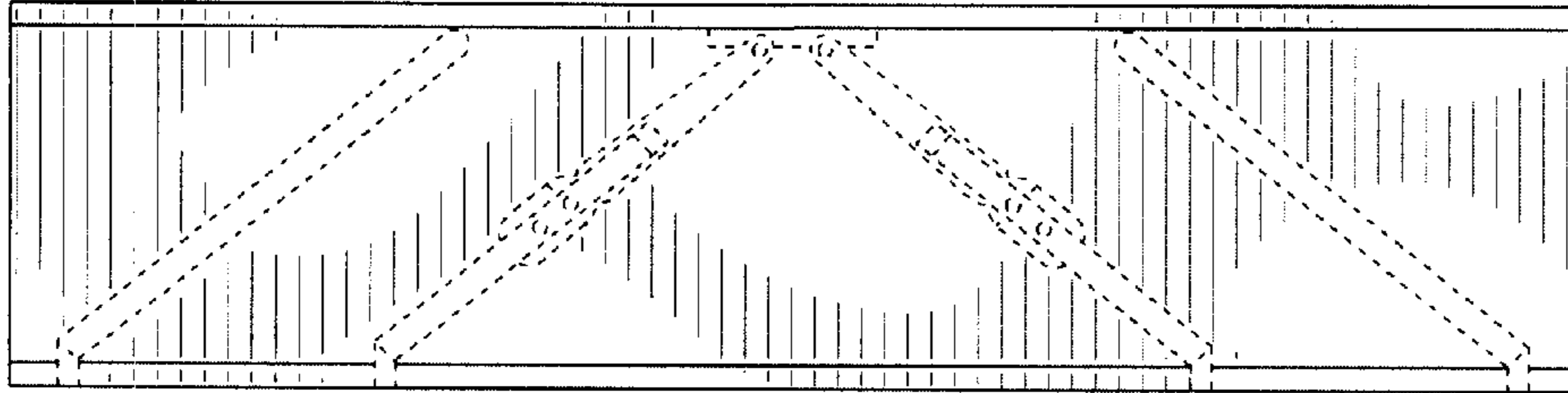


FIG. 7

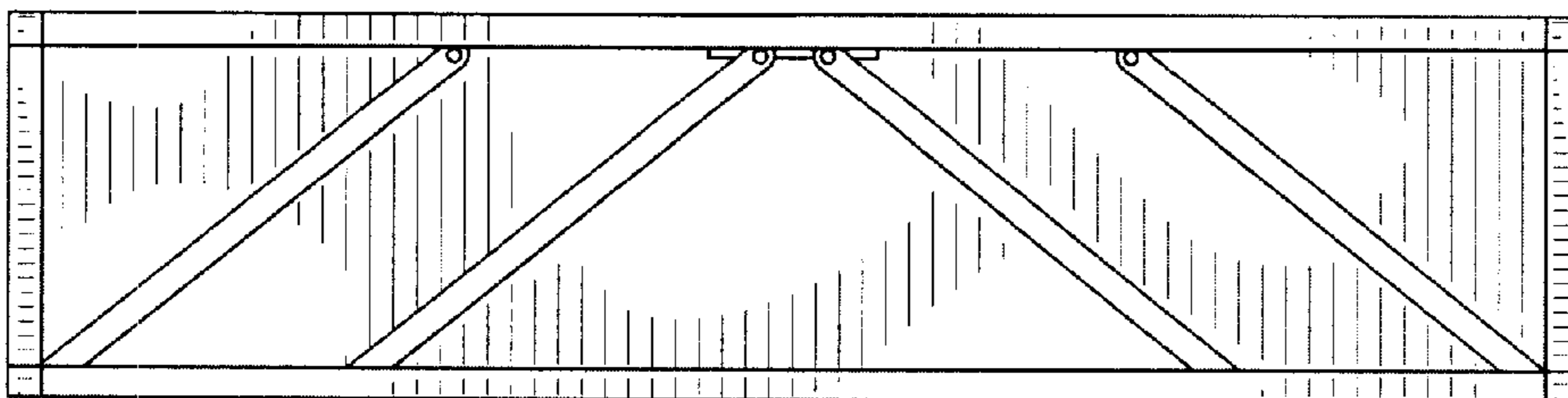


FIG. 8

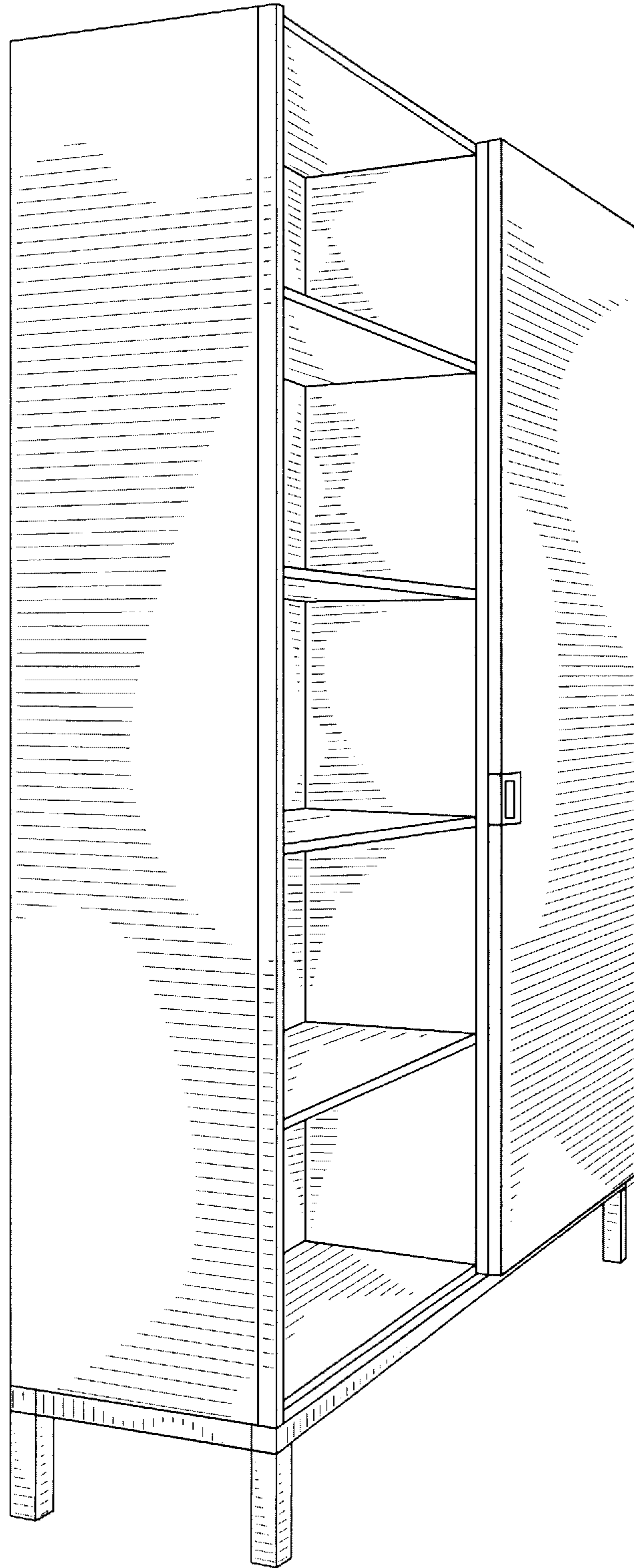


FIG. 9