



US00D534734S

(12) **United States Design Patent**
Bennett

(10) **Patent No.:** **US D534,734 S**

(45) **Date of Patent:** **** Jan. 9, 2007**

(54) **RECLINING CHAIR**

(75) Inventor: **Jeffrey Bennett**, New York, NY (US)

(73) Assignee: **Design Within Reach, Inc.**, San Francisco, CA (US)

(**) Term: **14 Years**

(21) Appl. No.: **29/246,826**

(22) Filed: **May 12, 2006**

Related U.S. Application Data

(62) Division of application No. 29/254,092, filed on Feb. 17, 2006.

(51) **LOC (8) Cl.** **06-01**

(52) **U.S. Cl.** **D6/367**

(58) **Field of Classification Search** D6/334-336,
D6/364, 361, 367, 371-374, 381, 492, 500-502;
297/68, 83-85, 411.42, 411.45, 440.23, 445.1,
297/446.1, 354.12

See application file for complete search history.

(56) **References Cited**

U.S. PATENT DOCUMENTS

D98,517 S	2/1936	Hoffman	
D104,824 S	6/1937	Swearingen	
D158,046 S	4/1950	Carr	
D163,941 S	7/1951	Frost	
2,596,750 A	5/1952	Wickham	
2,605,820 A	8/1952	Powellek	
2,829,707 A	4/1958	Liebson	
3,086,814 A	4/1963	Fletcher	
D222,451 S	10/1971	Lamb	
D228,164 S	8/1973	Long	
D228,592 S	10/1973	Costabile	
D231,878 S	6/1974	Kellum	
3,973,800 A	8/1976	Kogan	
4,188,066 A	2/1980	Terenzoni	
4,226,468 A	* 10/1980	Johnson	297/84
D257,918 S	1/1981	Reida	
D273,157 S	3/1984	Staub	
4,570,996 A	* 2/1986	Rogers, Jr.	297/85

4,603,906 A	8/1986	Mathiesen	
D288,505 S	3/1987	Yamasaki	
4,669,778 A	* 6/1987	Rogers, Jr.	297/85
D318,183 S	7/1991	Fister	
5,169,208 A	* 12/1992	Re et al.	297/85
D335,035 S	4/1993	Floyd	

(Continued)

Primary Examiner—Mimosa De

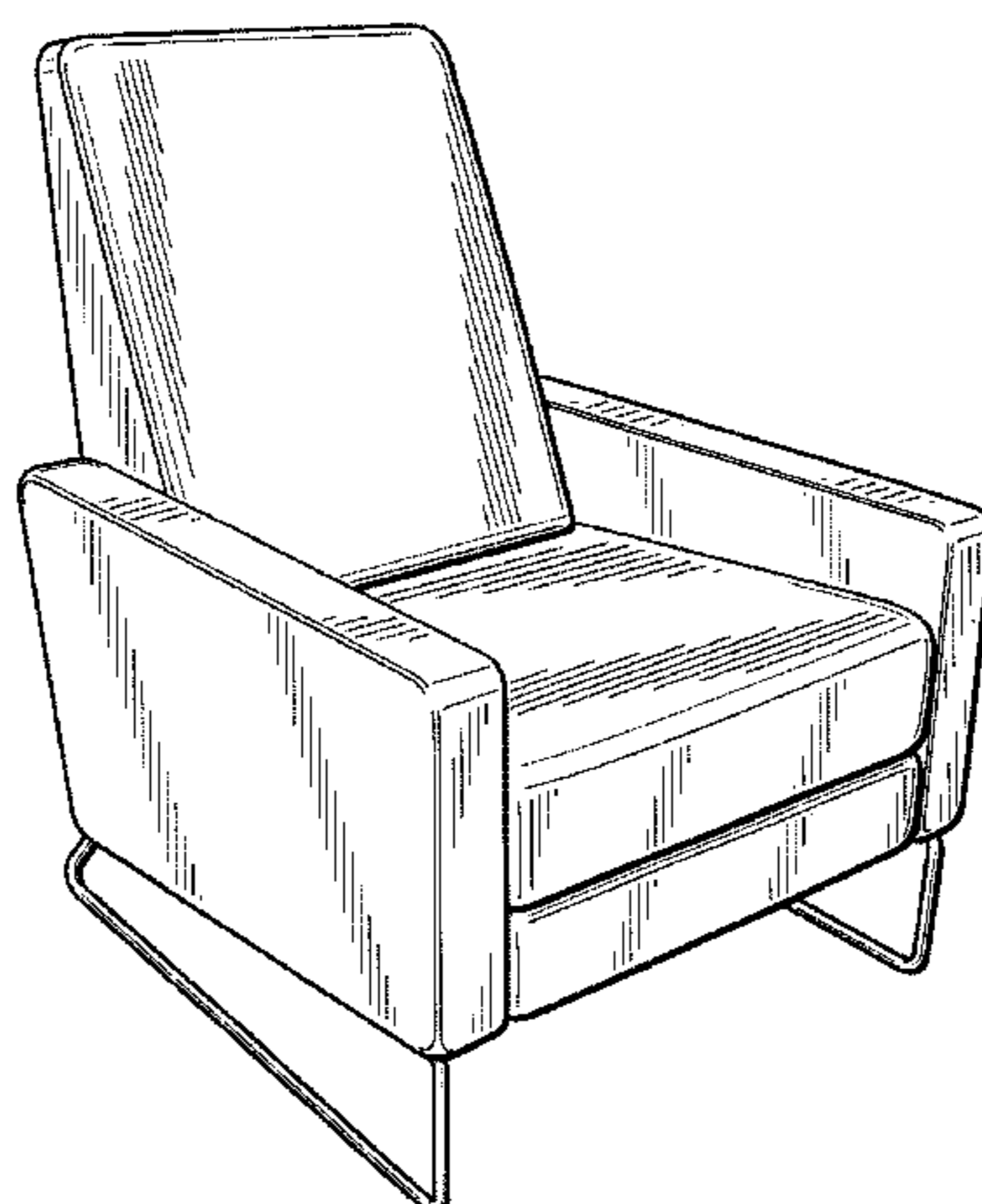
(57) **CLAIM**

The ornamental design for a reclining chair, substantially as shown and described.

DESCRIPTION

FIG. 1 is a upper left front perspective view of a reclining chair in an upright position of my new design;
 FIG. 2 is a front elevational view of the reclining chair in FIG. 1;
 FIG. 3 is a right side elevational view of the reclining chair in FIG. 1, the left side is a mirror image thereof;
 FIG. 4 is a rear elevational view of the reclining chair in FIG. 1;
 FIG. 5 is a top plan view of the reclining chair in FIG. 1;
 FIG. 6 is a bottom plan view of the reclining chair in FIG. 1;
 FIG. 7 is an upper left front perspective view of the reclining chair in a first reclined position;
 FIG. 8 is a front elevational view of the reclining chair in FIG. 7;
 FIG. 9 is a right side elevational view of the reclining chair in FIG. 7, the left side is a mirror image thereof;
 FIG. 10 is a rear elevational view of the reclining chair in FIG. 7;
 FIG. 11 is a top plan view of the reclining chair in FIG. 7;
 FIG. 12 is a bottom plan view of the reclining chair in FIG. 7; and,
 FIG. 13 is a right side elevational view of the reclining chair in a second reclined position.
 The broken lines showing the reclined hardware in FIGS. 2, 6, 7-9, and 11-13 are for illustrative purposes only and form no part of the claimed design.

1 Claim, 10 Drawing Sheets



US D534,734 S

Page 2

U.S. PATENT DOCUMENTS			
5,312,153	A	5/1994	Lin
D379,269	S	5/1997	Hutton
5,653,498	A *	8/1997	Grandfield 297/85
D388,630	S	1/1998	Lowman
D402,125	S	12/1998	Dryburgh
D409,010	S	5/1999	Papaioannou
D416,395	S	11/1999	George
D423,244	S	4/2000	Hutton
6,135,559	A *	10/2000	Kowalski 297/354.12
D456,621	S	5/2002	Antunes
6,491,342	B1 *	12/2002	Smith 297/68
6,557,942	B1 *	5/2003	Shieh 297/83
D487,981	S	4/2004	Ludeke
D489,188	S	5/2004	Ricci
D490,630	S	6/2004	Pesso
6,742,842	B1	6/2004	Dowty
D495,153	S	8/2004	Ricci
D498,598	S	11/2004	Schweikarth
D499,261	S	12/2004	Ricci
D510,666	S	10/2005	Pimental
2005/0035632	A1	2/2005	Tseng

* cited by examiner

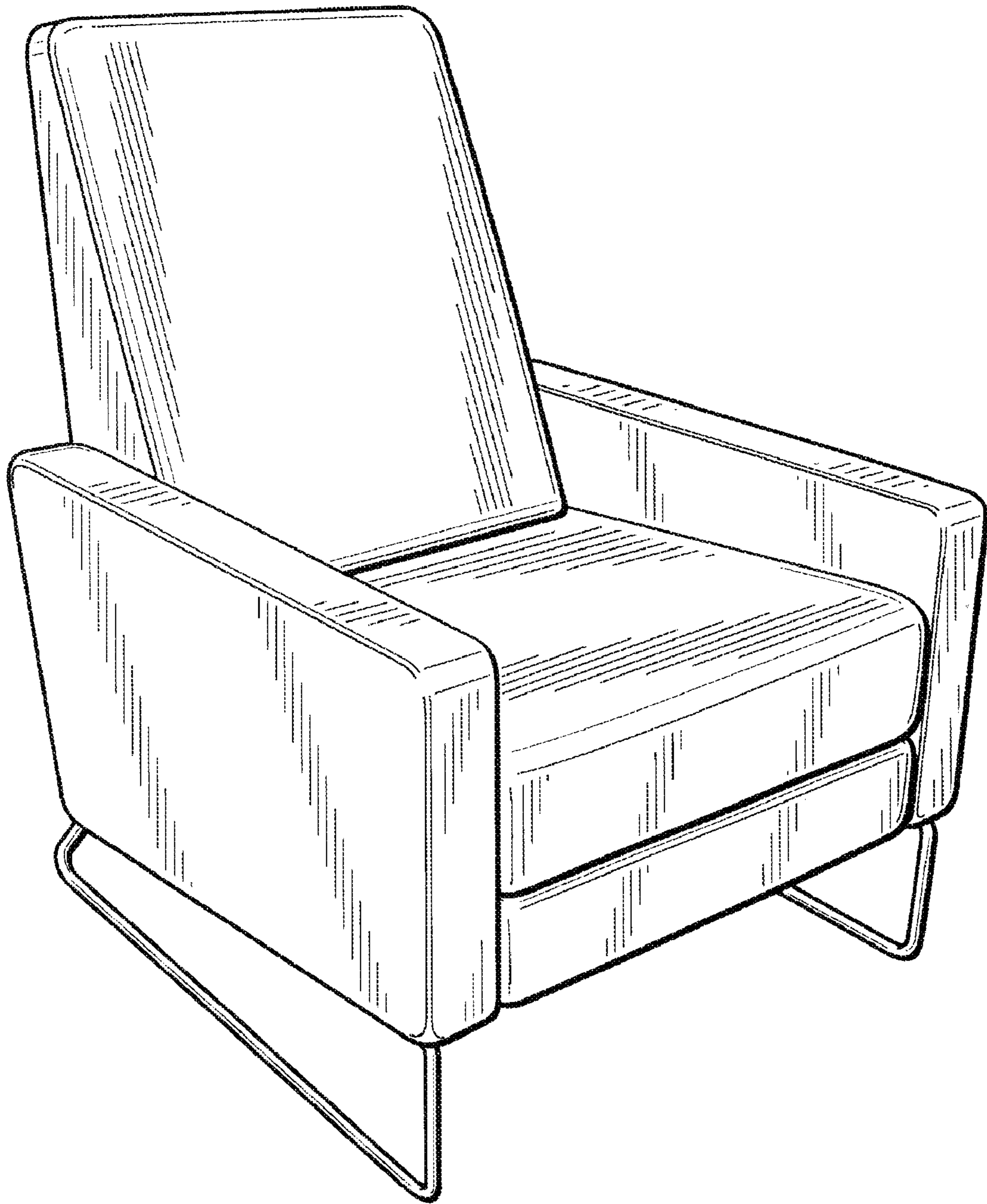


FIG. 1

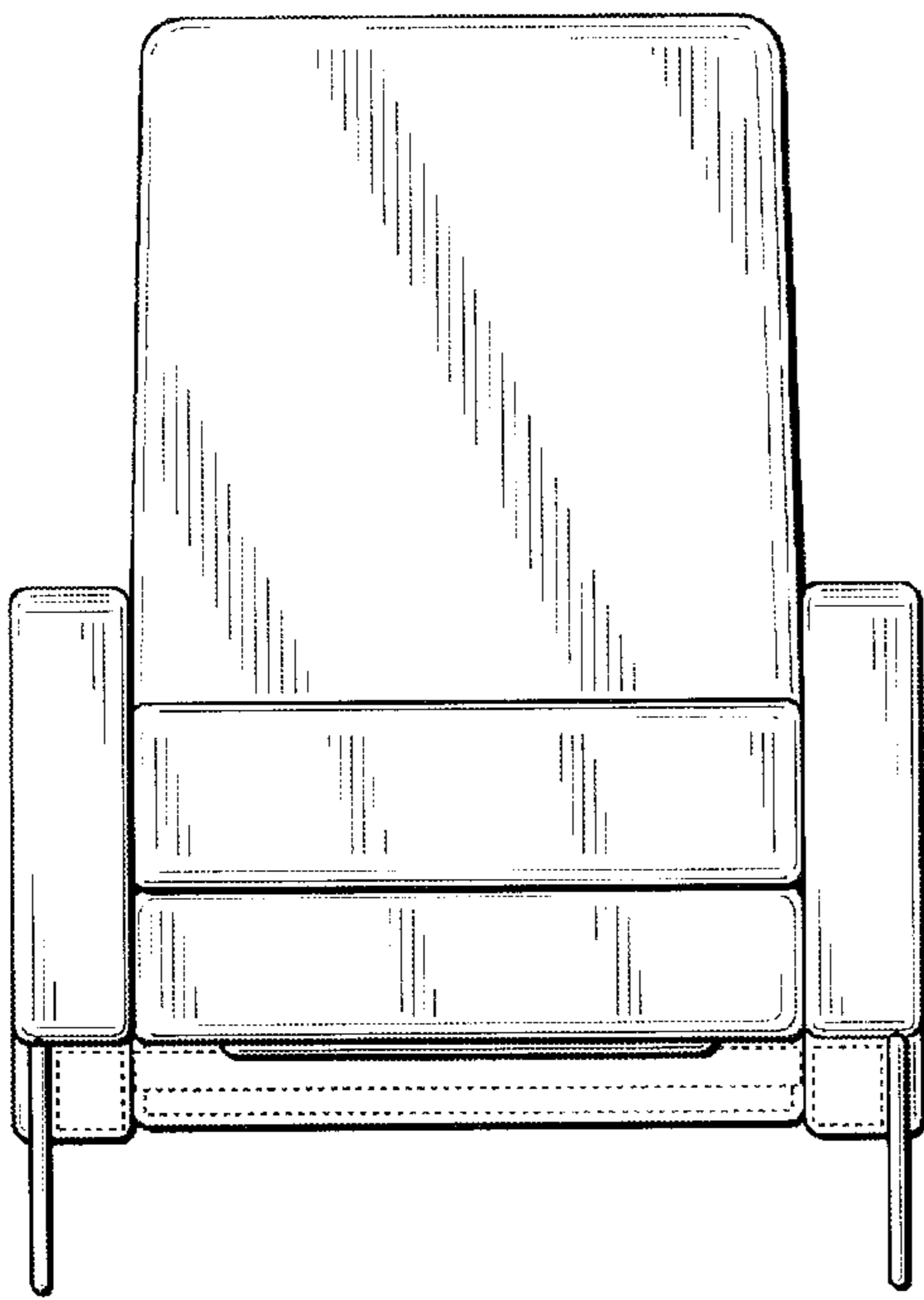


FIG. 2

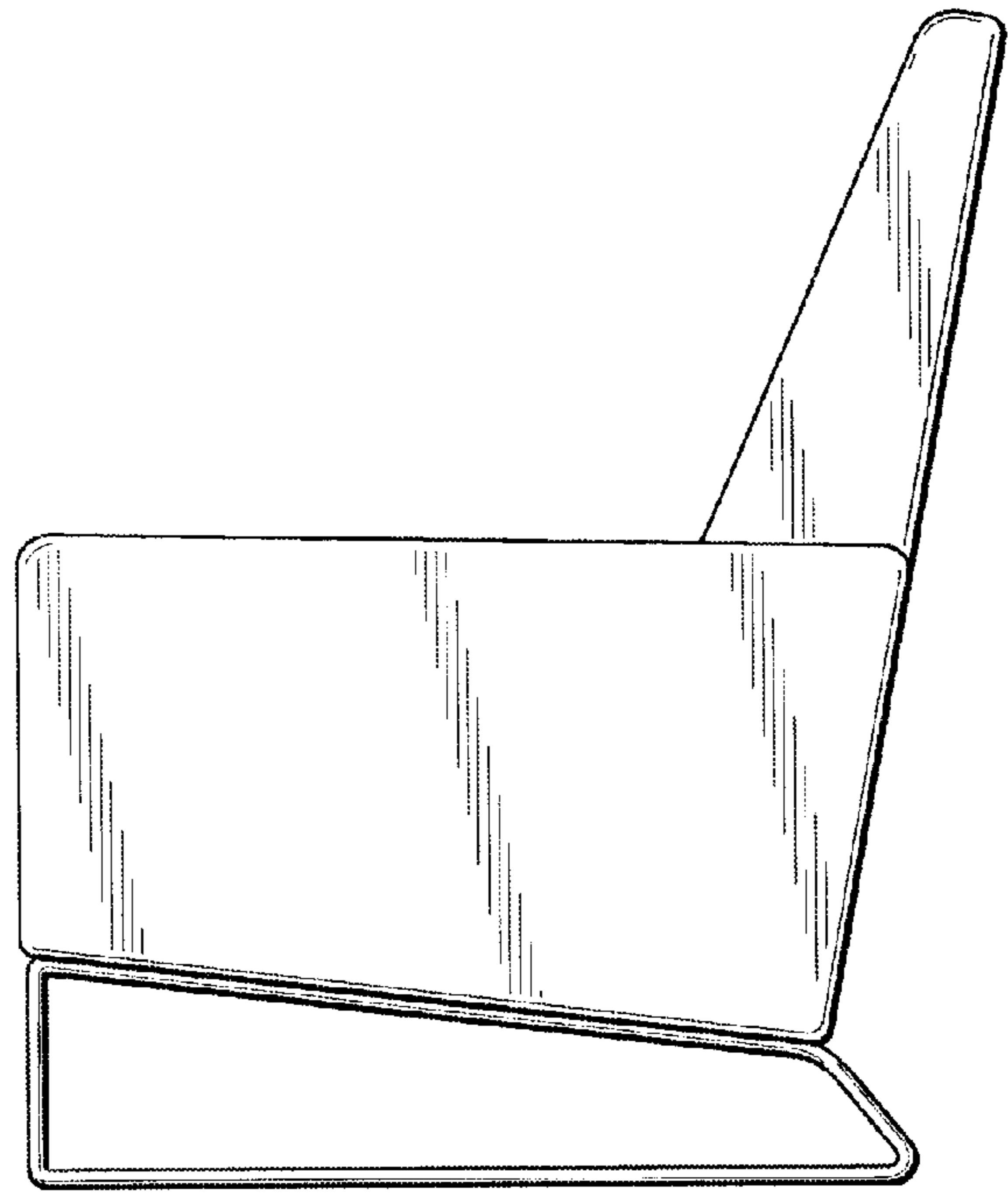


FIG. 3

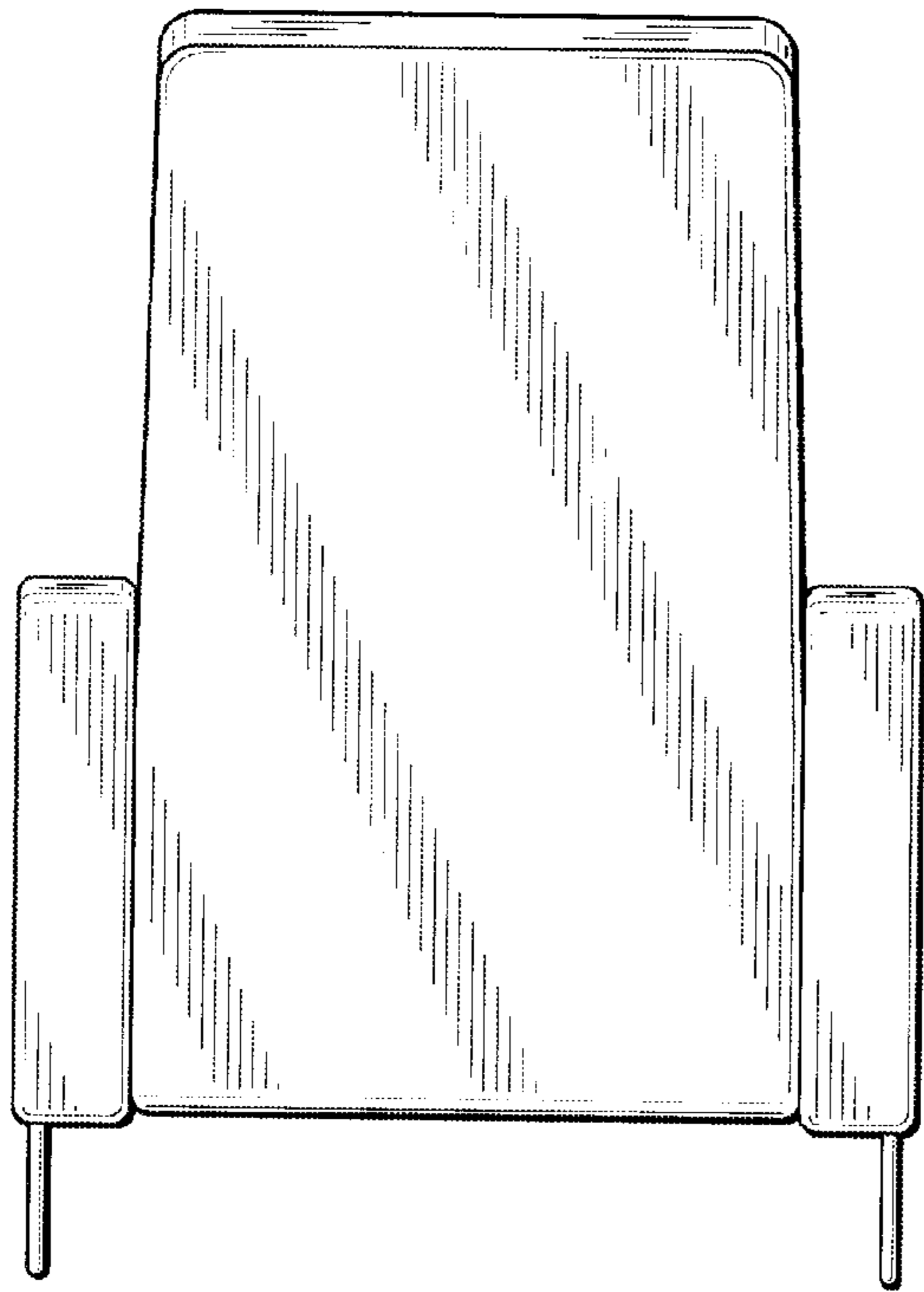


FIG. 4

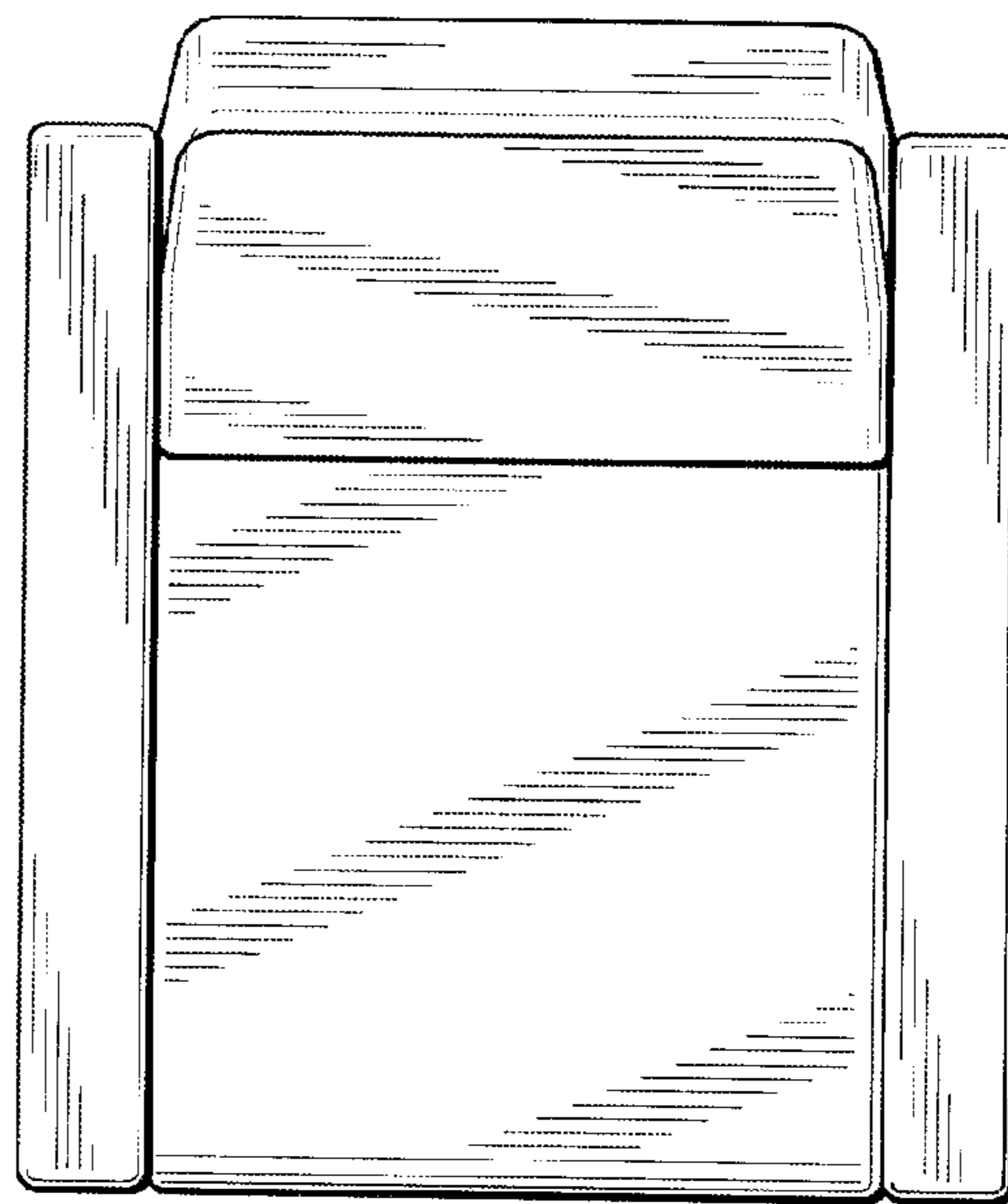


FIG. 5

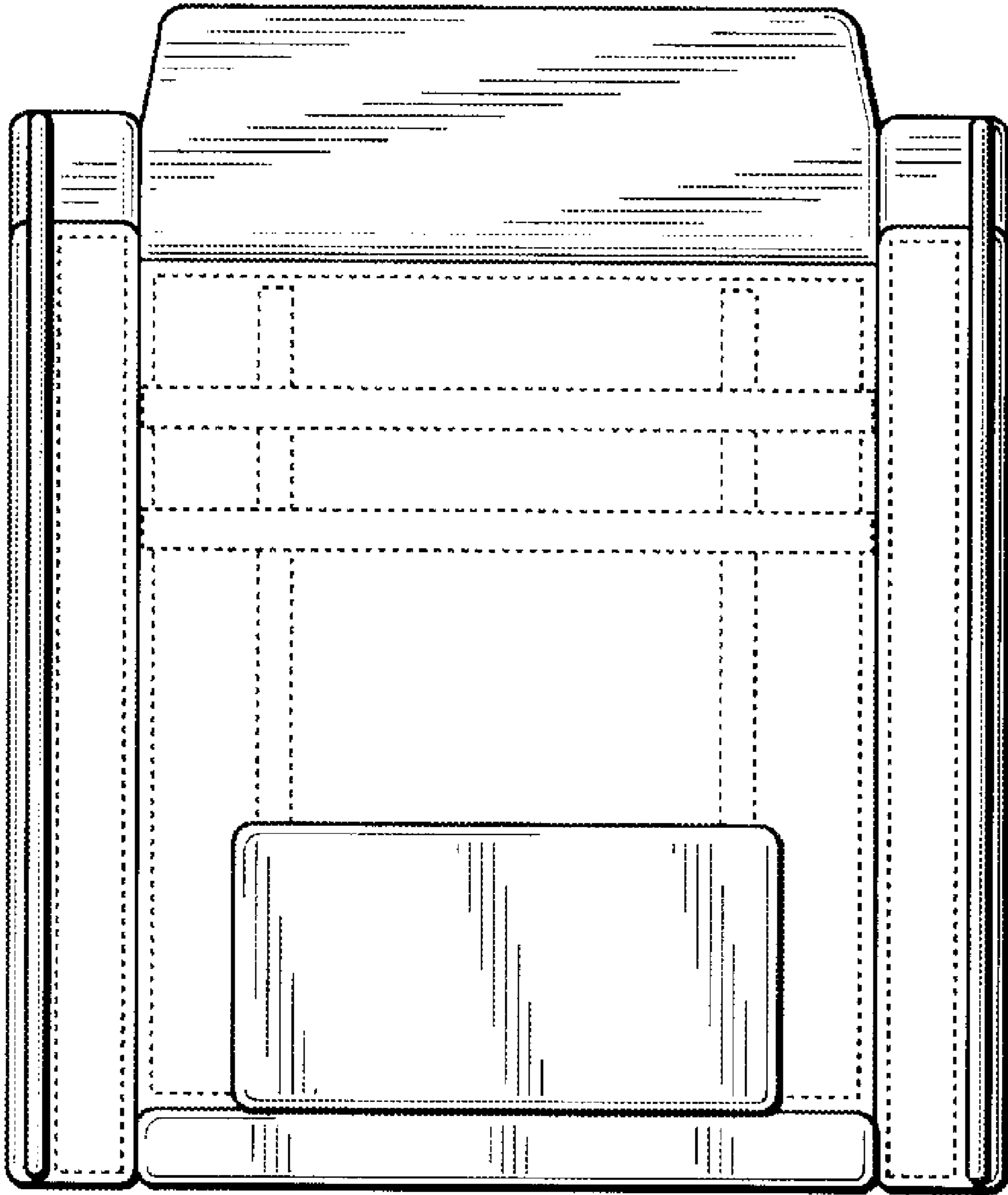


FIG. 6

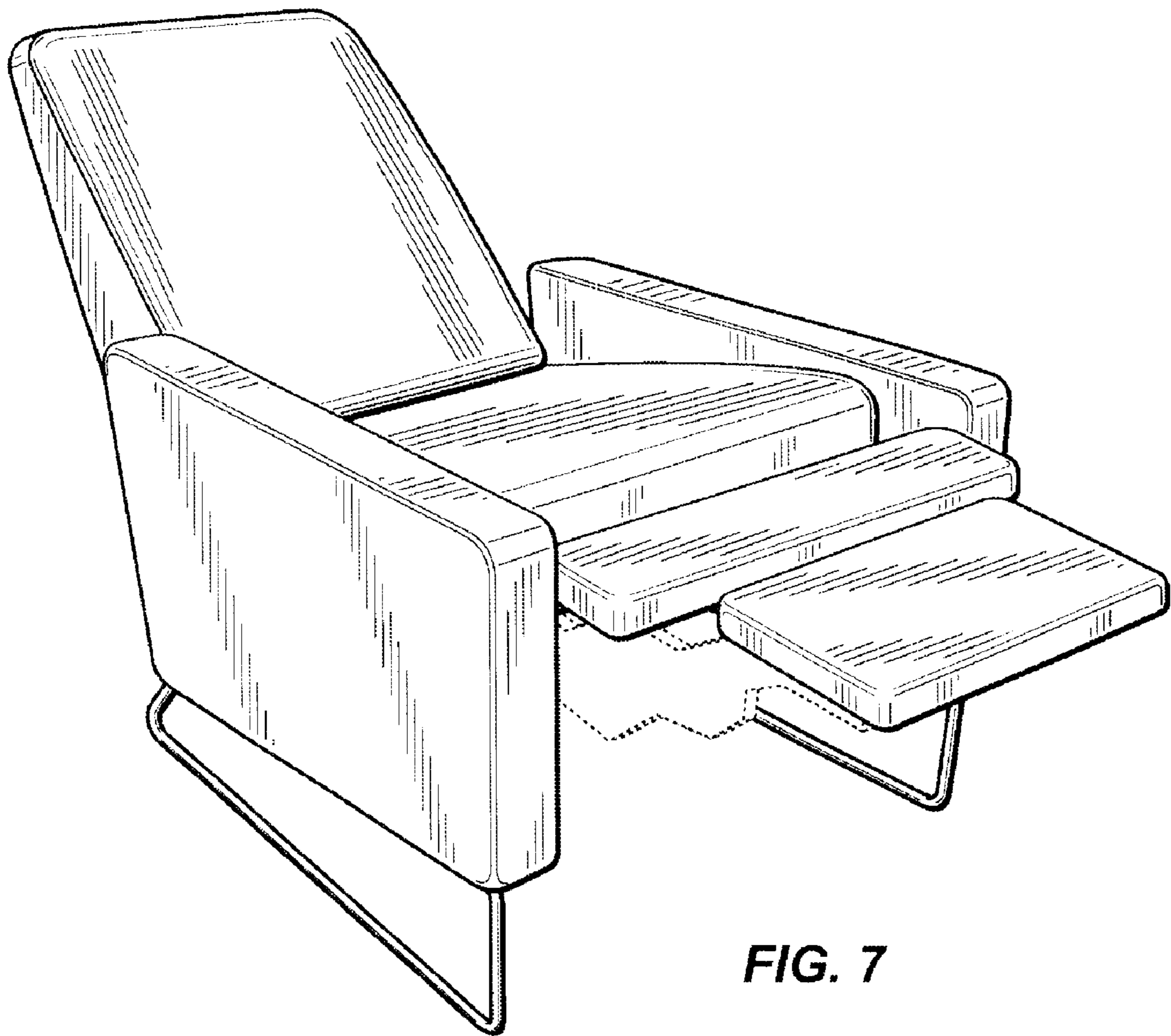


FIG. 7

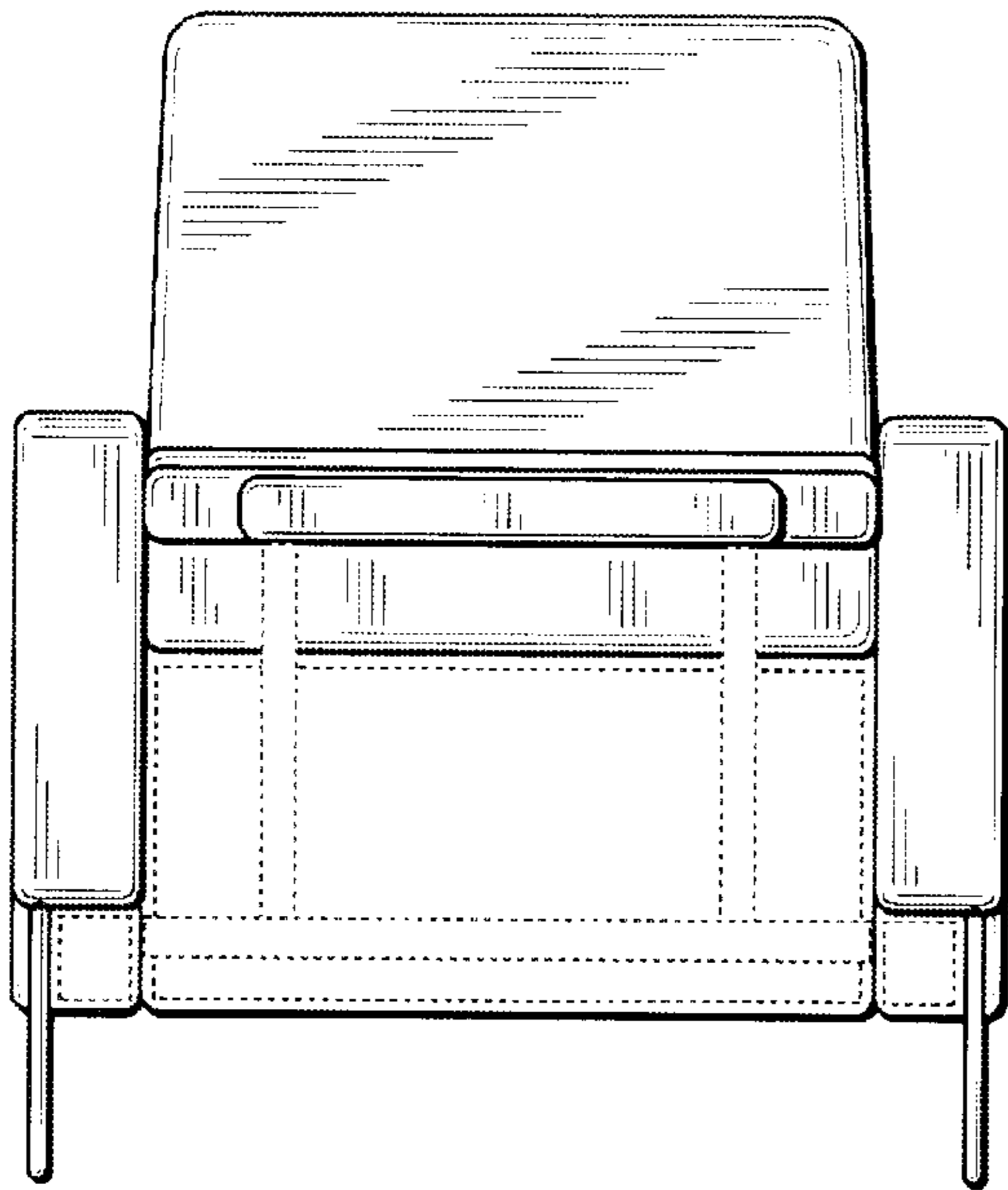


FIG. 8

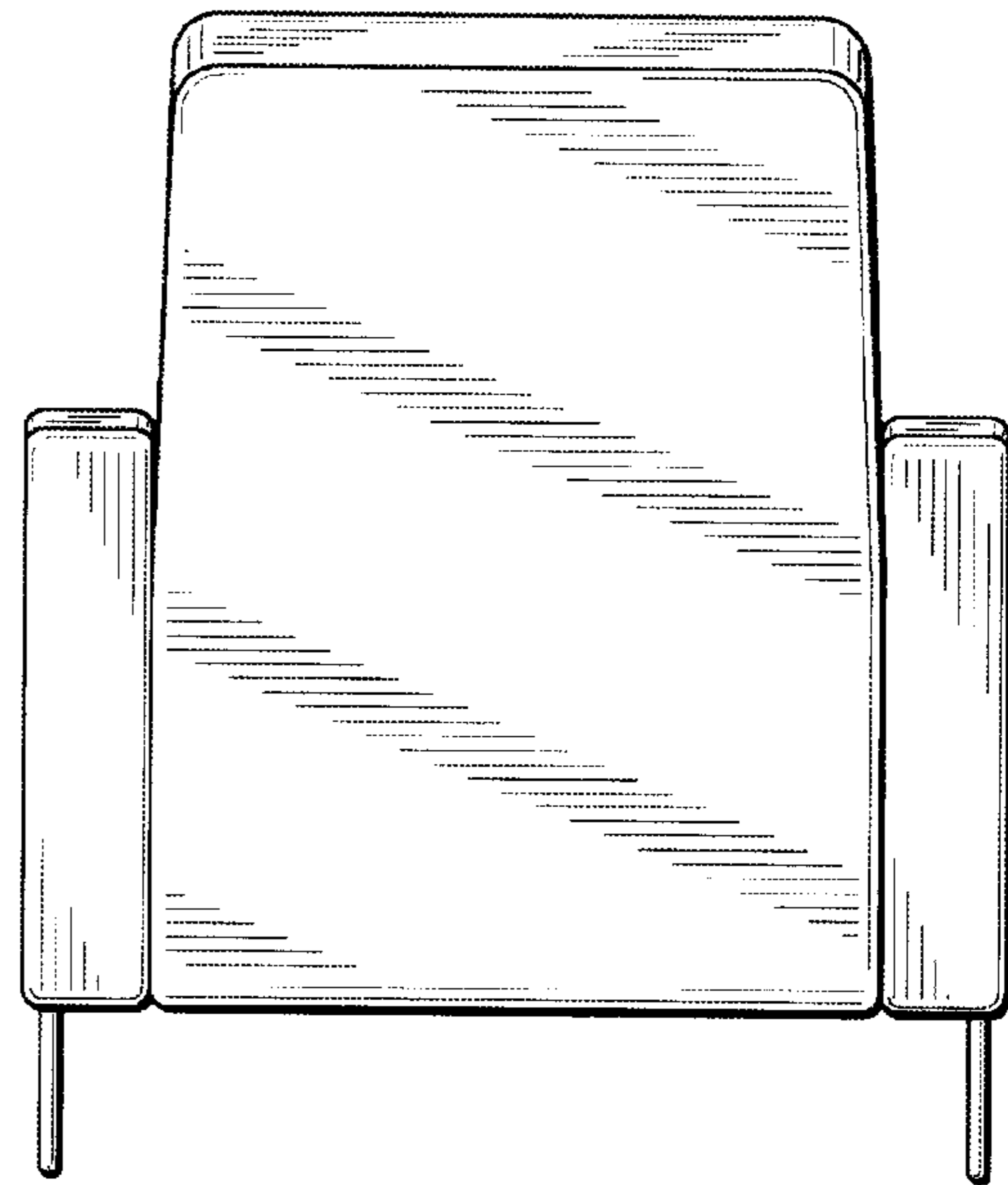


FIG. 10

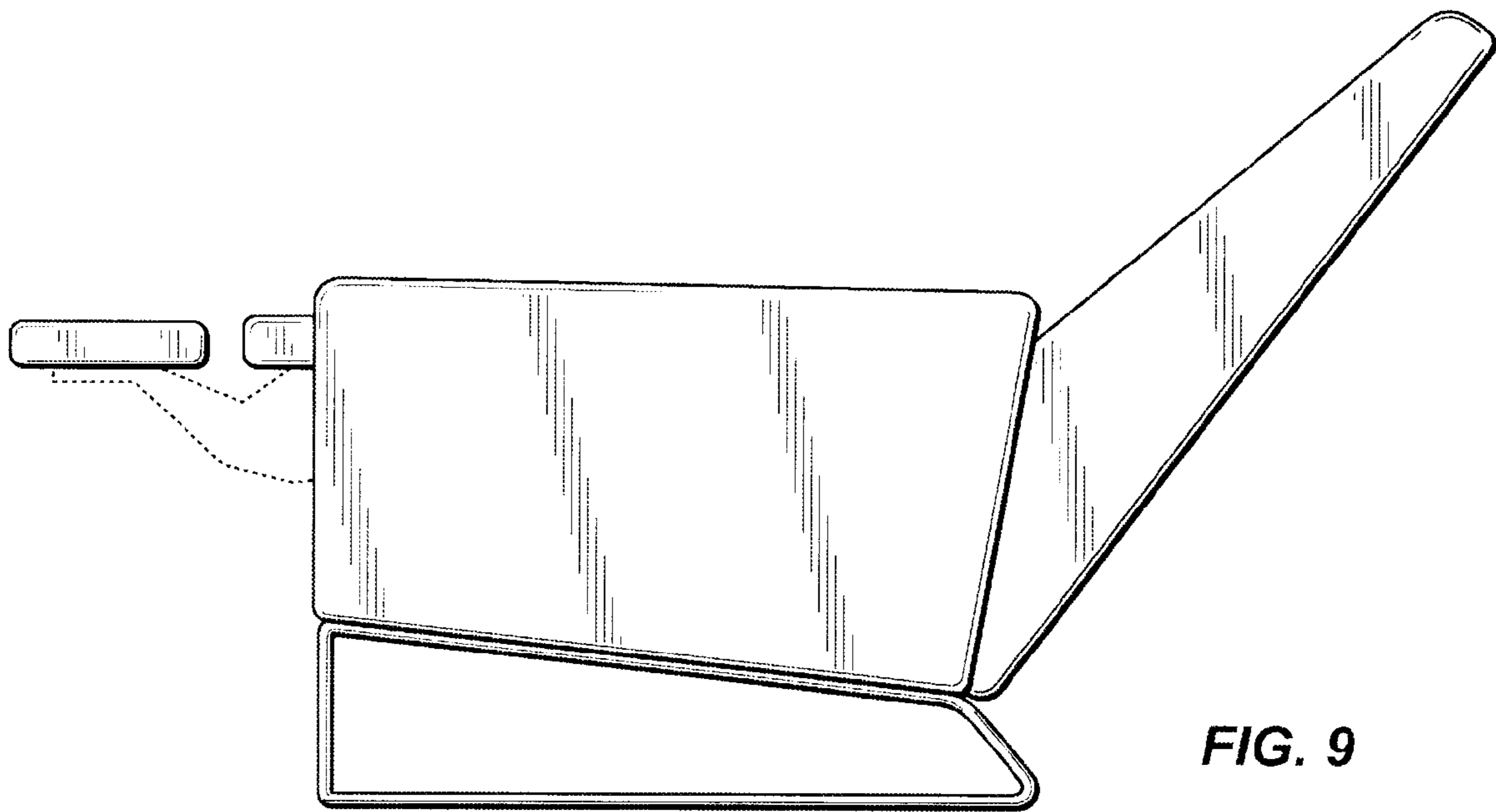


FIG. 9

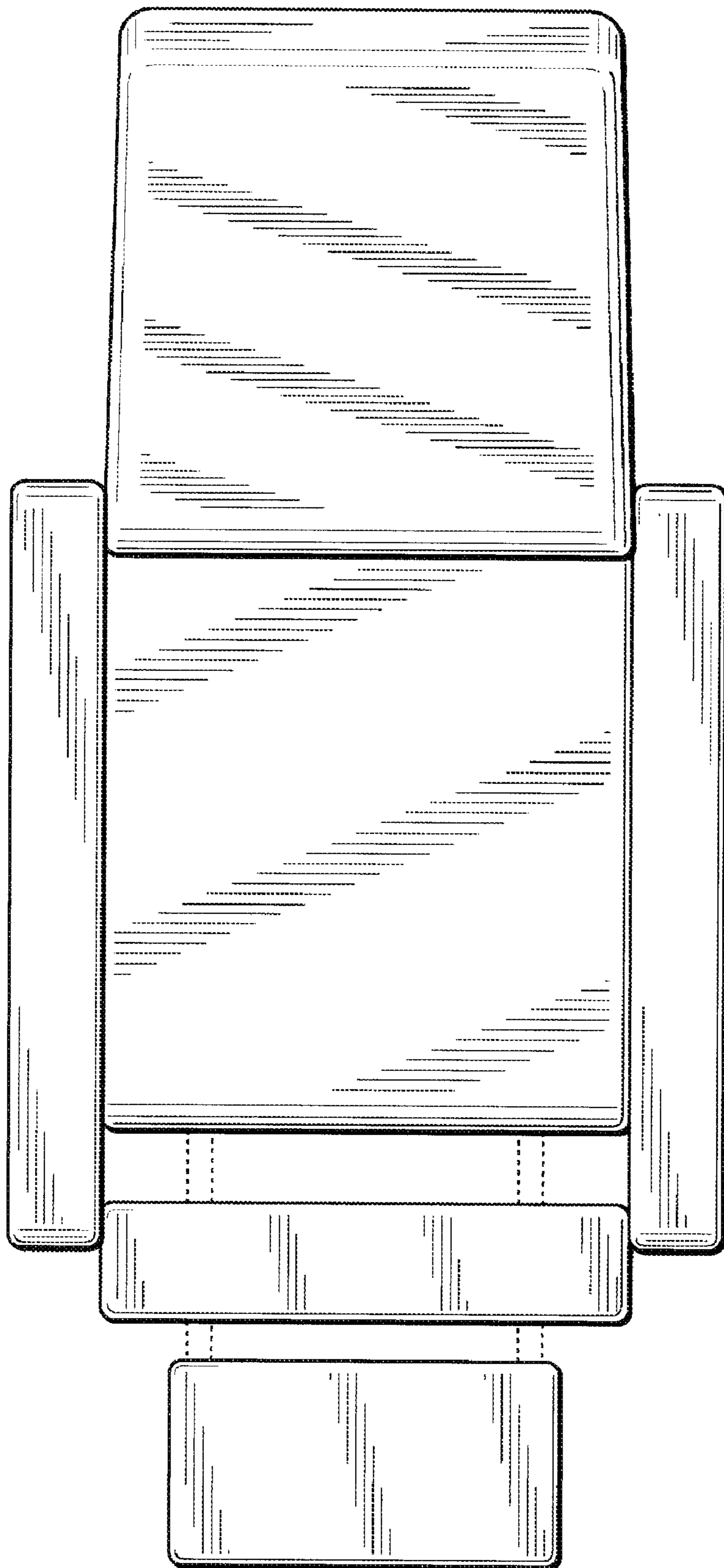


FIG. 11

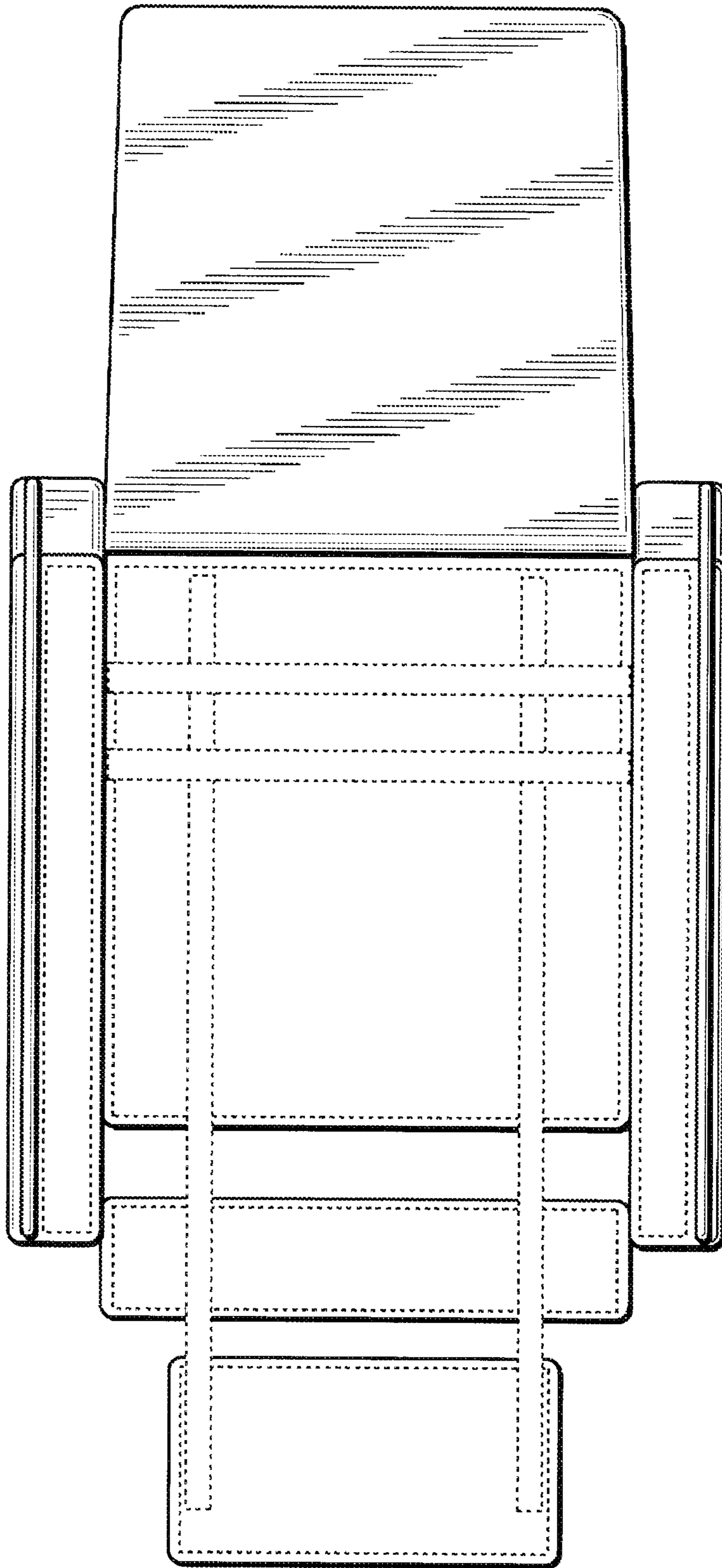


FIG. 12

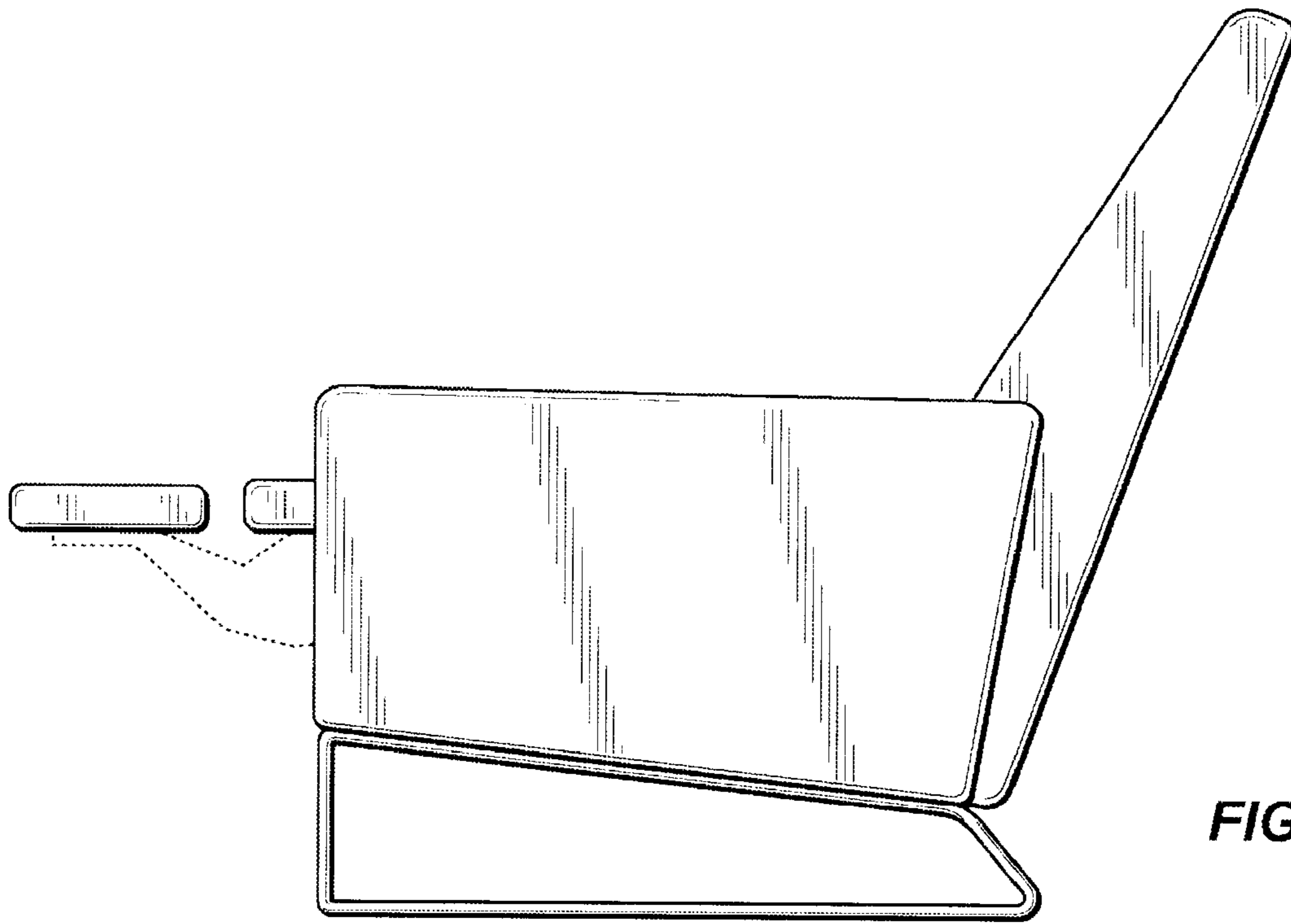


FIG. 13