

US00D534733S

(12) **United States Design Patent**  
**Preuteasa**

(10) **Patent No.:** **US D534,733 S**

(45) **Date of Patent:** **\*\* Jan. 9, 2007**

(54) **ARMCHAIR WITH RESTS**

(76) **Inventor:** **Florin Preuteasa**, Str. Padurea Craiului  
Nr. 1, B1.B2, Scara 3, Et. 4, Ap. 108,  
Sector 3, Bucharest (RO)

(\*\*) **Term:** **14 Years**

(21) **Appl. No.:** **29/240,681**

(22) **Filed:** **Oct. 18, 2005**

(30) **Foreign Application Priority Data**

Apr. 18, 2005 (RO) ..... 2005/0281

(51) **LOC (8) Cl.** ..... **06-01**

(52) **U.S. Cl.** ..... **D6/361**

(58) **Field of Classification Search** ..... D6/334-336,  
D6/358, 356, 360, 361, 367, 500-502; 297/182,  
297/188.01, 188.09, 452.19, 452.29; D28/56,  
D28/61; 4/574.1, 622

See application file for complete search history.

(56) **References Cited**

**U.S. PATENT DOCUMENTS**

D99,398 S \* 4/1936 Johnson et al. .... D6/334  
D158,429 S \* 5/1950 Adkins ..... D6/358  
D218,423 S \* 8/1970 Angerer ..... D6/361  
D276,577 S \* 12/1984 Fitch ..... D6/361  
D321,601 S \* 11/1991 Zanki ..... D6/361

D354,174 S \* 1/1995 Collins et al. .... D6/358  
D366,161 S \* 1/1996 Arcouette ..... D6/375  
D412,600 S \* 8/1999 Oh et al. .... D28/56  
D429,379 S \* 8/2000 Kim ..... D28/56  
D435,937 S \* 1/2001 Back et al. .... D28/61  
D459,096 S \* 6/2002 Rossigno ..... D6/336  
D472,720 S \* 4/2003 Cheng ..... D6/335  
D487,981 S \* 4/2004 Ludeke et al. .... D6/356

\* cited by examiner

*Primary Examiner*—Mimosa De

(74) *Attorney, Agent, or Firm*—Hershkovitz & Associates;  
Abe Hershovitz

(57) **CLAIM**

I claim the ornamental design for an armchair with rests, as shown and described.

**DESCRIPTION**

FIG. 1 is a top plan view of an armchair with rests showing my new design;

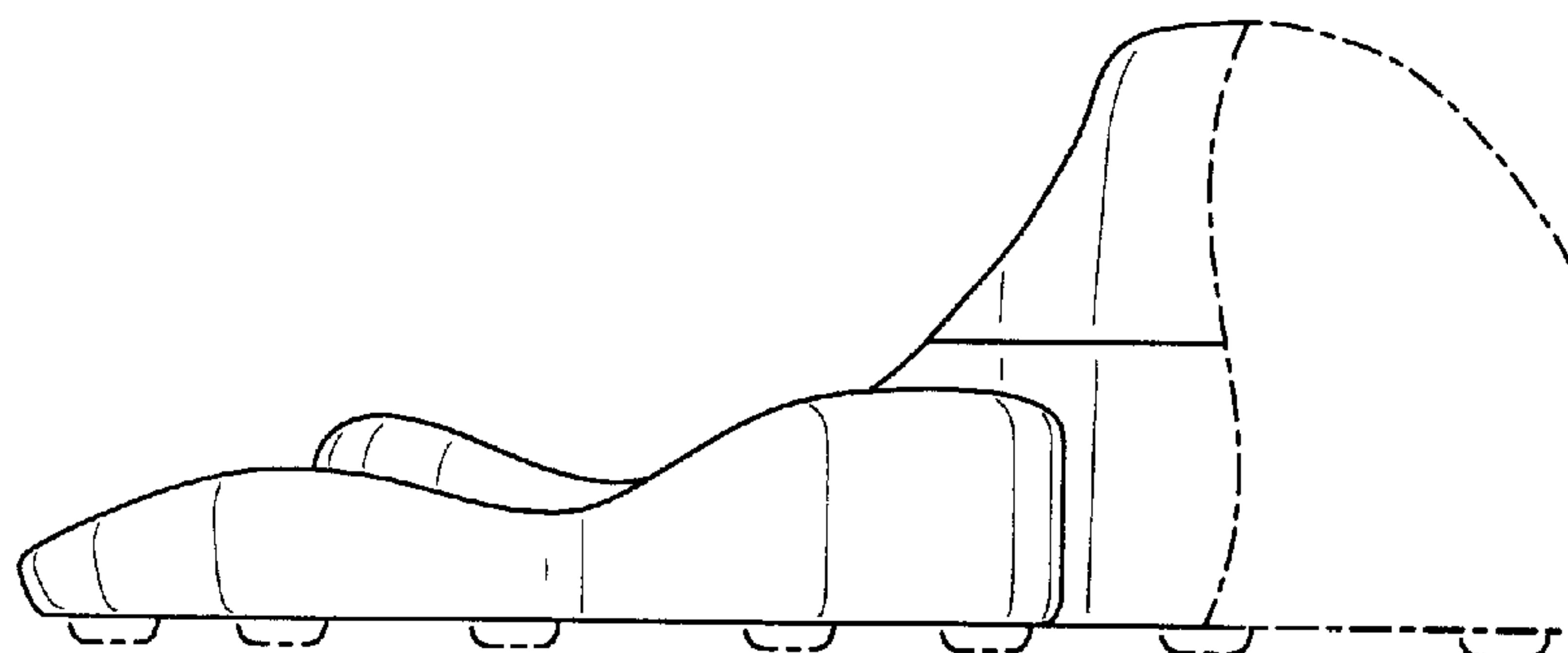
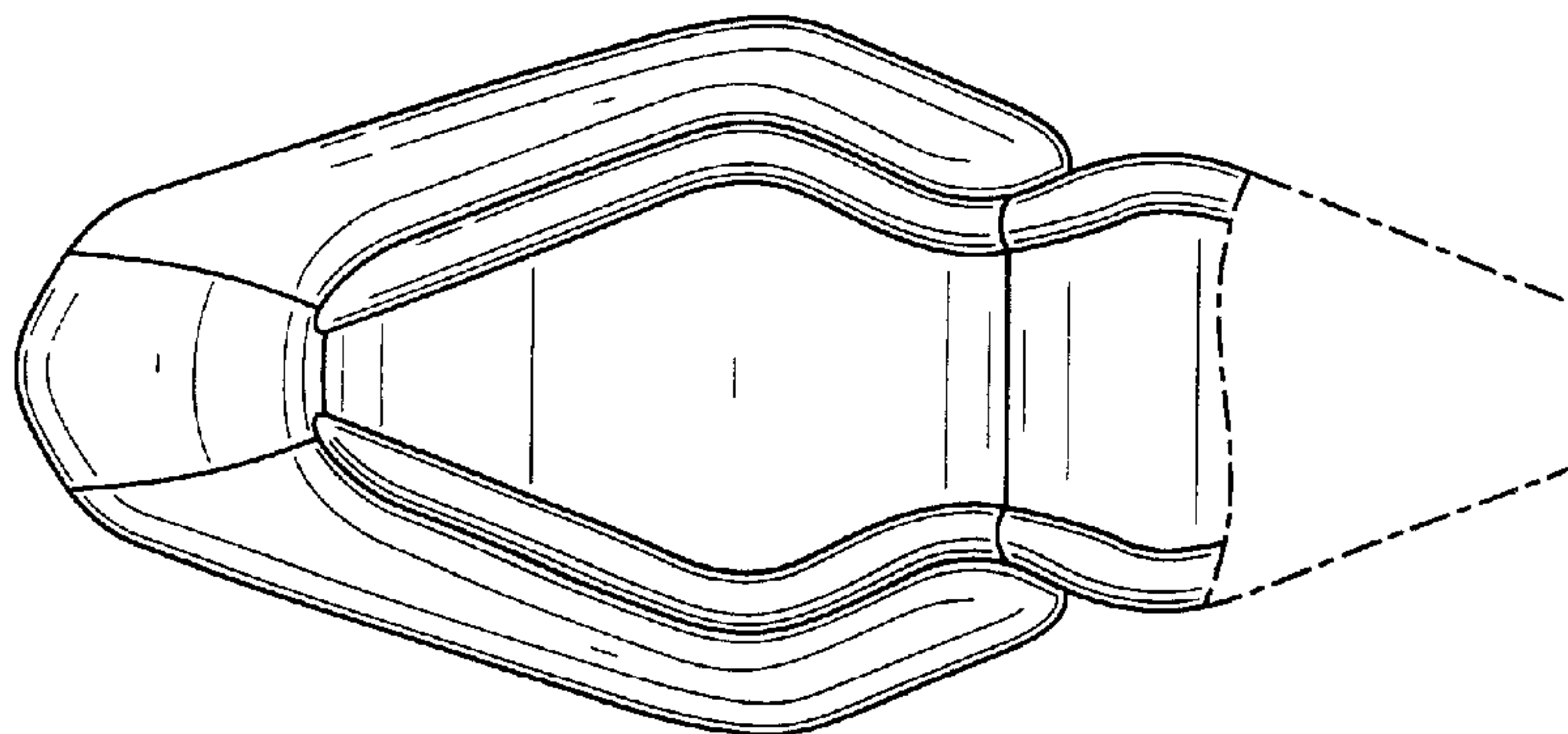
FIG. 2 is a right side view thereof; and,

FIG. 3 is a front end view thereof.

The broken lines are for illustrative purposes only and forms no part of the claimed design.

Any surface of the armchair with rests not shown forms no part of the claimed design.

**1 Claim, 3 Drawing Sheets**



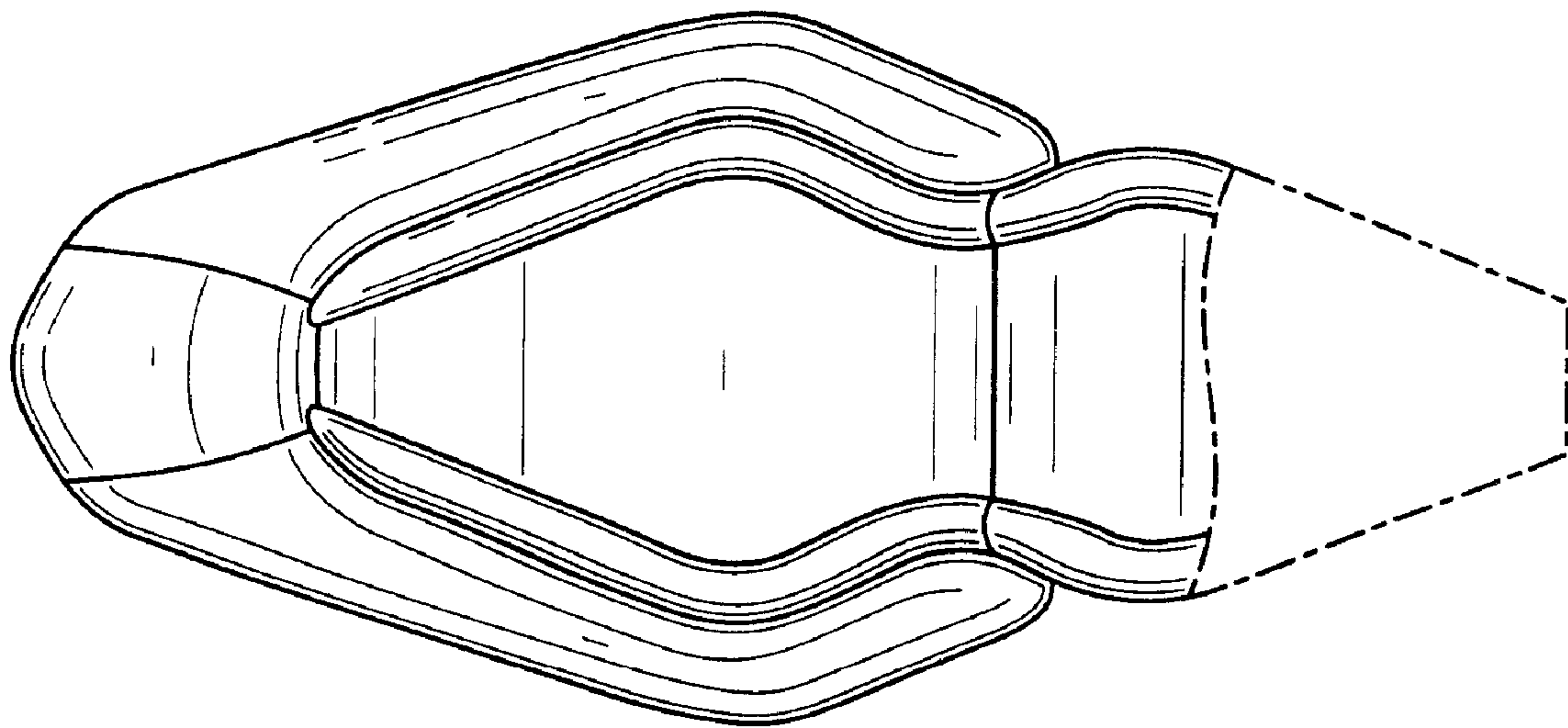


FIG. 1

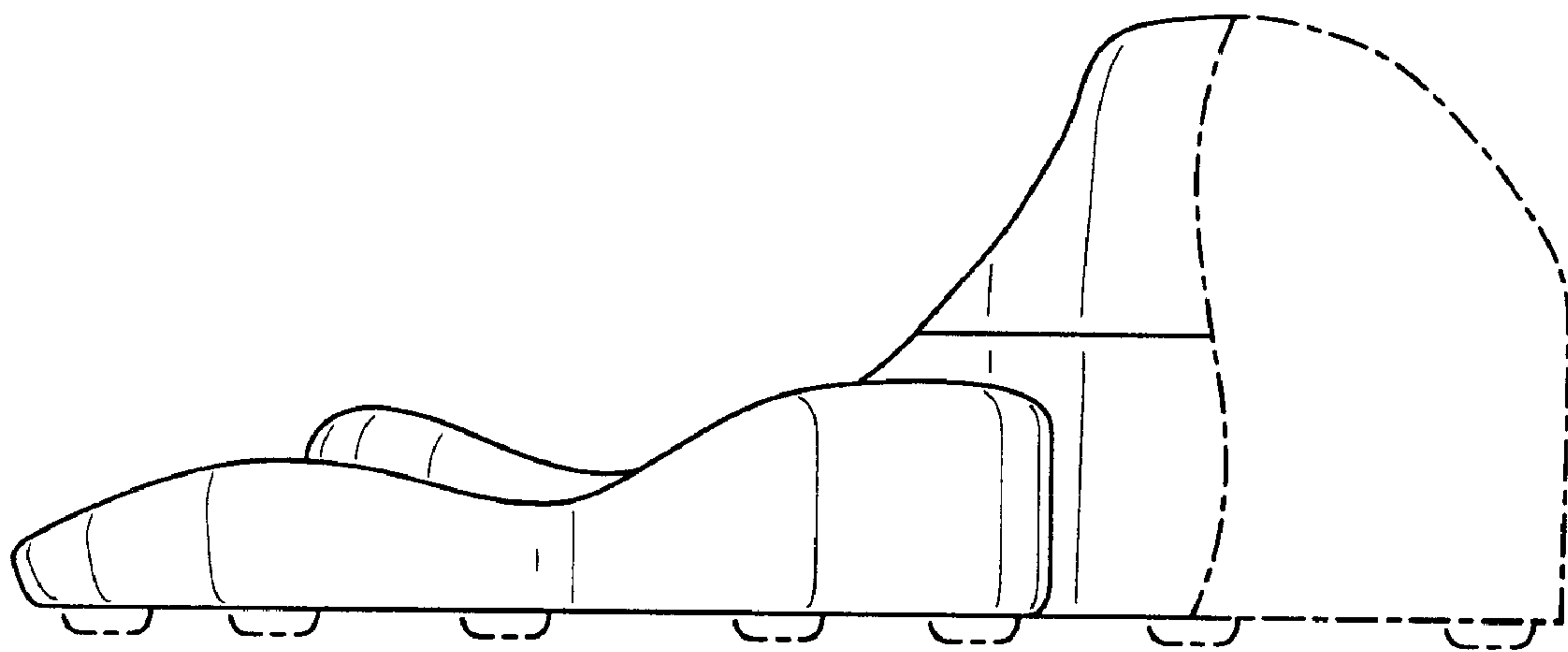


FIG. 2

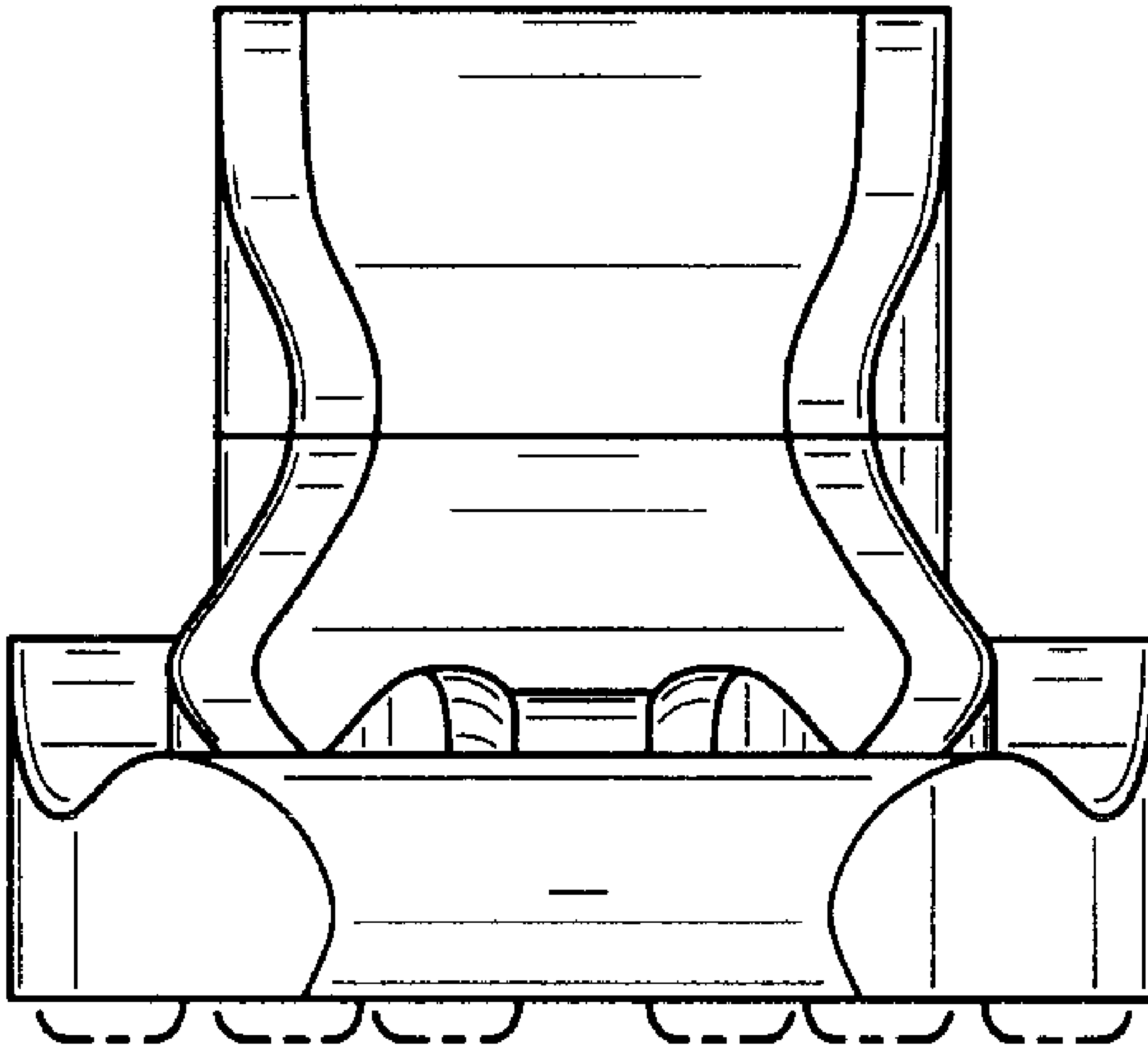


FIG. 3