



US00D534730S

(12) **United States Design Patent**
Hardy

(10) **Patent No.:** **US D534,730 S**

(45) **Date of Patent:** **** Jan. 9, 2007**

(54) **FOLDABLE SUPPORT DEVICE**

(76) **Inventor:** **Suzan Hardy**, 1806 - 9 St. S.W.,
Calgary, Alberta (CA), T2T 3C3

(**) **Term:** **14 Years**

(21) **Appl. No.:** **29/209,856**

(22) **Filed:** **Jul. 22, 2004**

Related U.S. Application Data

(63) Continuation of application No. 09/847,480, filed on May 2, 2001, now abandoned.

(51) **LOC (8) Cl.** **06-04**

(52) **U.S. Cl.** **D6/312**

(58) **Field of Classification Search** D6/300-314,
D6/406, 420, 406.1, 396, 454; D19/20, 78;
40/700, 701, 729, 745, 754, 757, 124.08;
211/55, 151, 1.52, 13.1; 248/459, 460, 463;
280/47.35

See application file for complete search history.

(56) **References Cited**

U.S. PATENT DOCUMENTS

905,836	A	12/1908	Bowman	
1,182,809	A *	5/1916	Sonn	248/451
1,379,612	A *	5/1921	Baver	248/459
3,305,205	A	2/1967	Frankl	248/459
4,044,980	A	8/1977	Cummins	248/13
4,143,847	A	3/1979	Cross	248/459
D265,561	S *	7/1982	Cottrell	D14/448
4,502,658	A	3/1985	Wirt et al.	248/452
4,607,817	A	8/1986	Aquino	248/459
D287,862	S *	1/1987	Hauser et al.	D19/78
4,709,895	A	12/1987	Mardak	248/460
D321,982	S *	12/1991	Yasuhara	D6/407
D322,813	S *	12/1991	Wilson	D19/88
D328,314	S *	7/1992	MacEwan	D19/91

D328,985	S *	9/1992	Sheldon	D6/406.4
D333,160	S *	2/1993	Collins	D19/88
D392,474	S *	3/1998	Frasketi	D6/419
5,809,673	A *	9/1998	Johnson et al.	40/124.08
D413,147	S *	8/1999	Ruff et al.	D19/88
6,213,439	B1	4/2001	Giulie et al.	248/459
D444,304	S *	7/2001	Polonsky	D6/310
6,270,049	B1	8/2001	Olvey	248/441.1
6,305,652	B1 *	10/2001	Borke et al.	248/174
D455,755	S *	4/2002	Levine et al.	D14/447
D457,011	S *	5/2002	Wenner et al.	D6/419
2002/0162935	A1 *	11/2002	Hardy	248/460
2004/0256535	A1 *	12/2004	Desch	248/460

* cited by examiner

Primary Examiner—Janice E. Seeger

Assistant Examiner—Sydney R. Buffalow

(74) *Attorney, Agent, or Firm*—Steven E. Kahm; Nikolai & Mersereau, P.A.

(57) **CLAIM**

The ornamental design for the “foldable support device,” as shown and described.

DESCRIPTION

FIG. 1 is a front prospective view of a foldable support device assembled with a bingo card attached;

FIG. 2 is a side view of the foldable support device assembled, with the opposite side being a mirror image thereof;

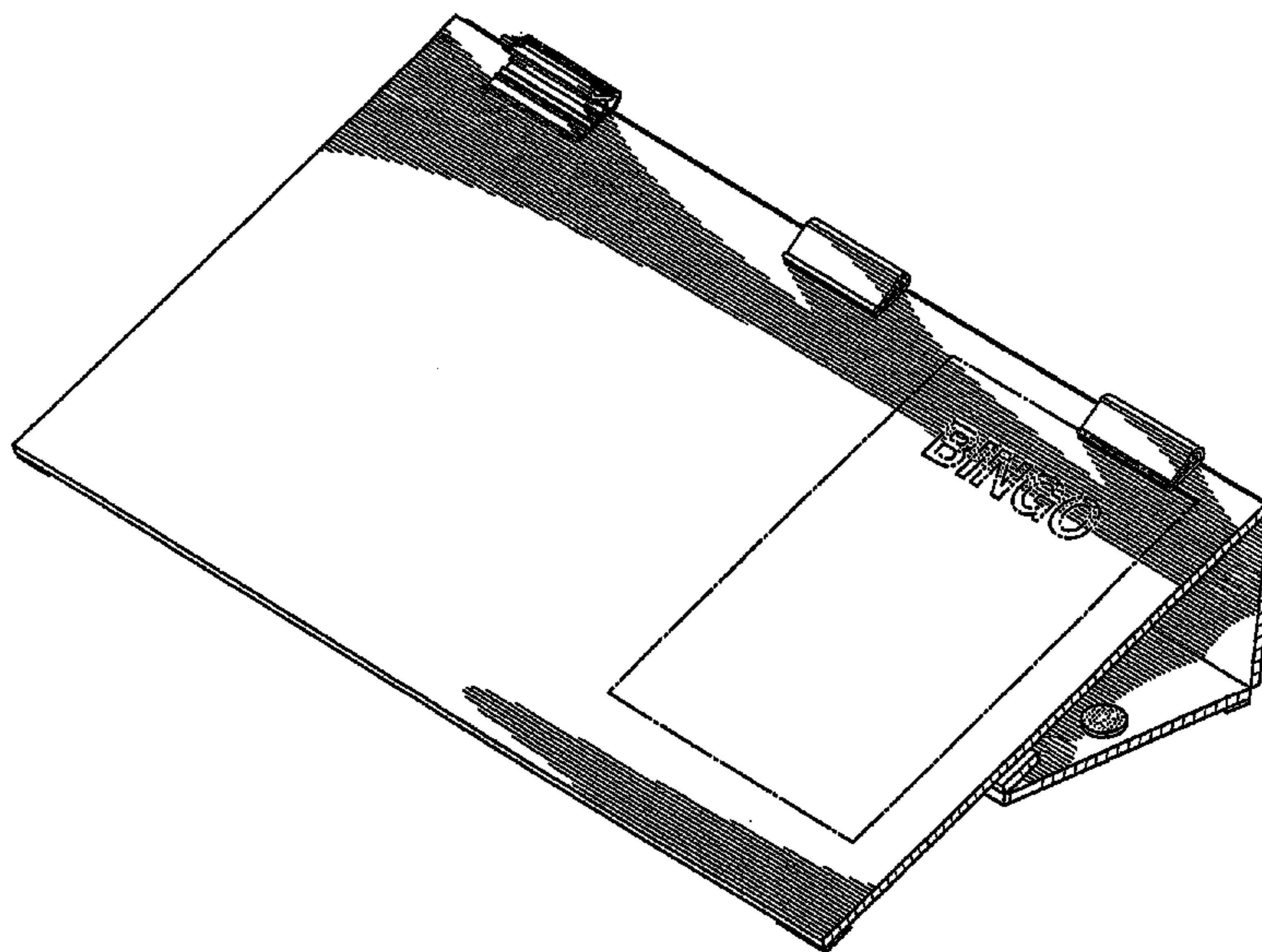
FIG. 3 is a top perspective view of the foldable support device unassembled;

FIG. 4 is a bottom perspective view thereof the foldable support device unassembled; and,

FIG. 5 is a side view of the foldable support device folded in half.

The bingo card is shown with broken lines and is not part of the invention.

1 Claim, 3 Drawing Sheets



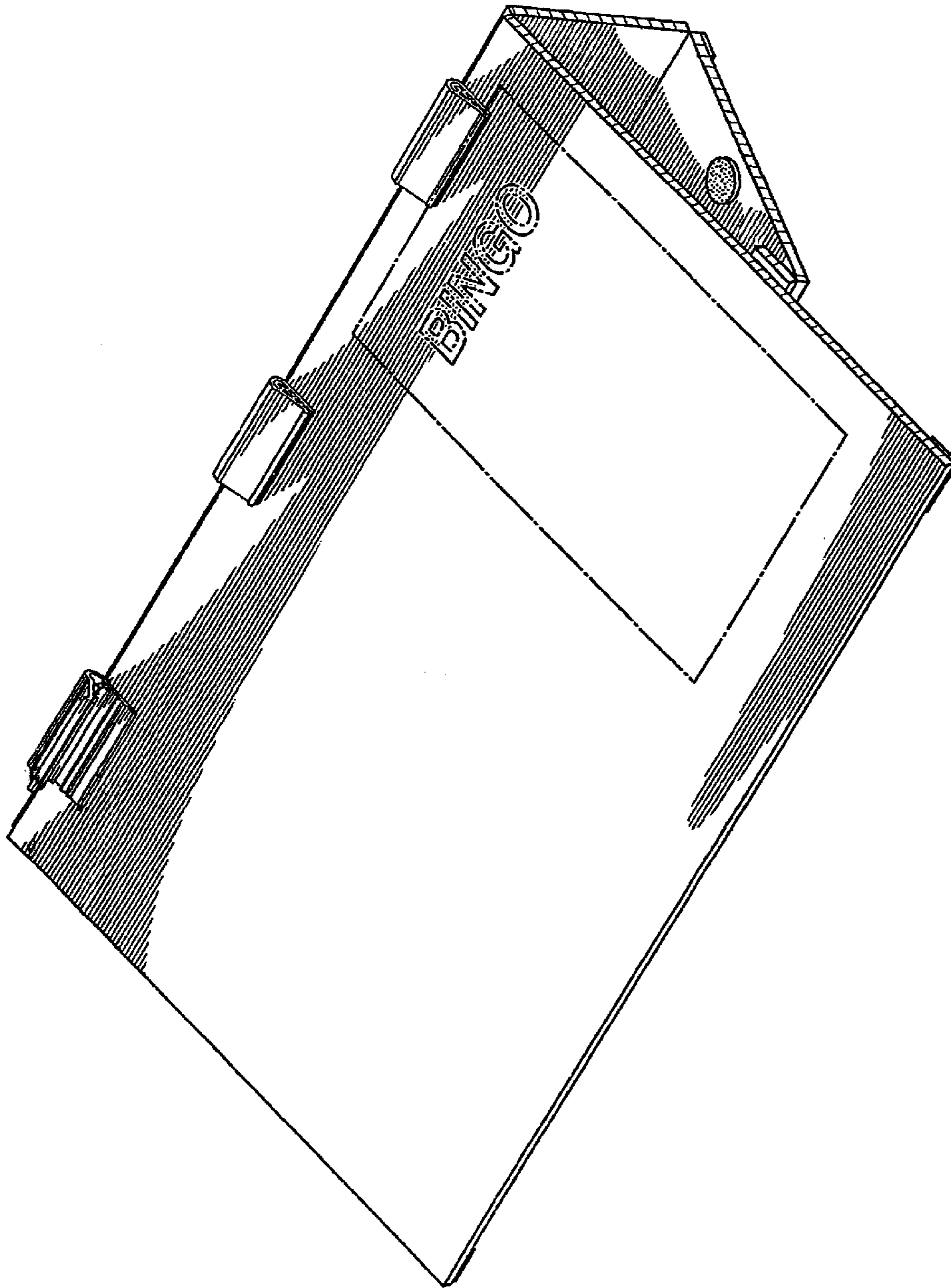


FIG. 1

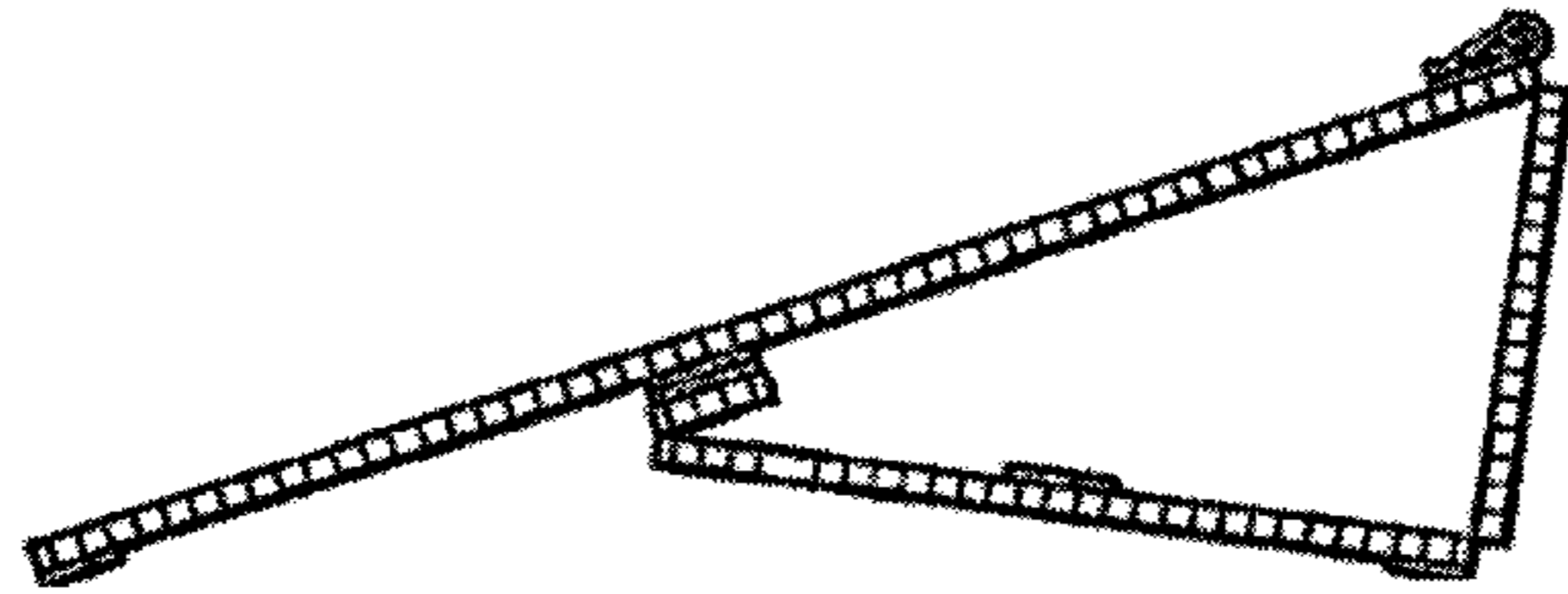


FIG. 2

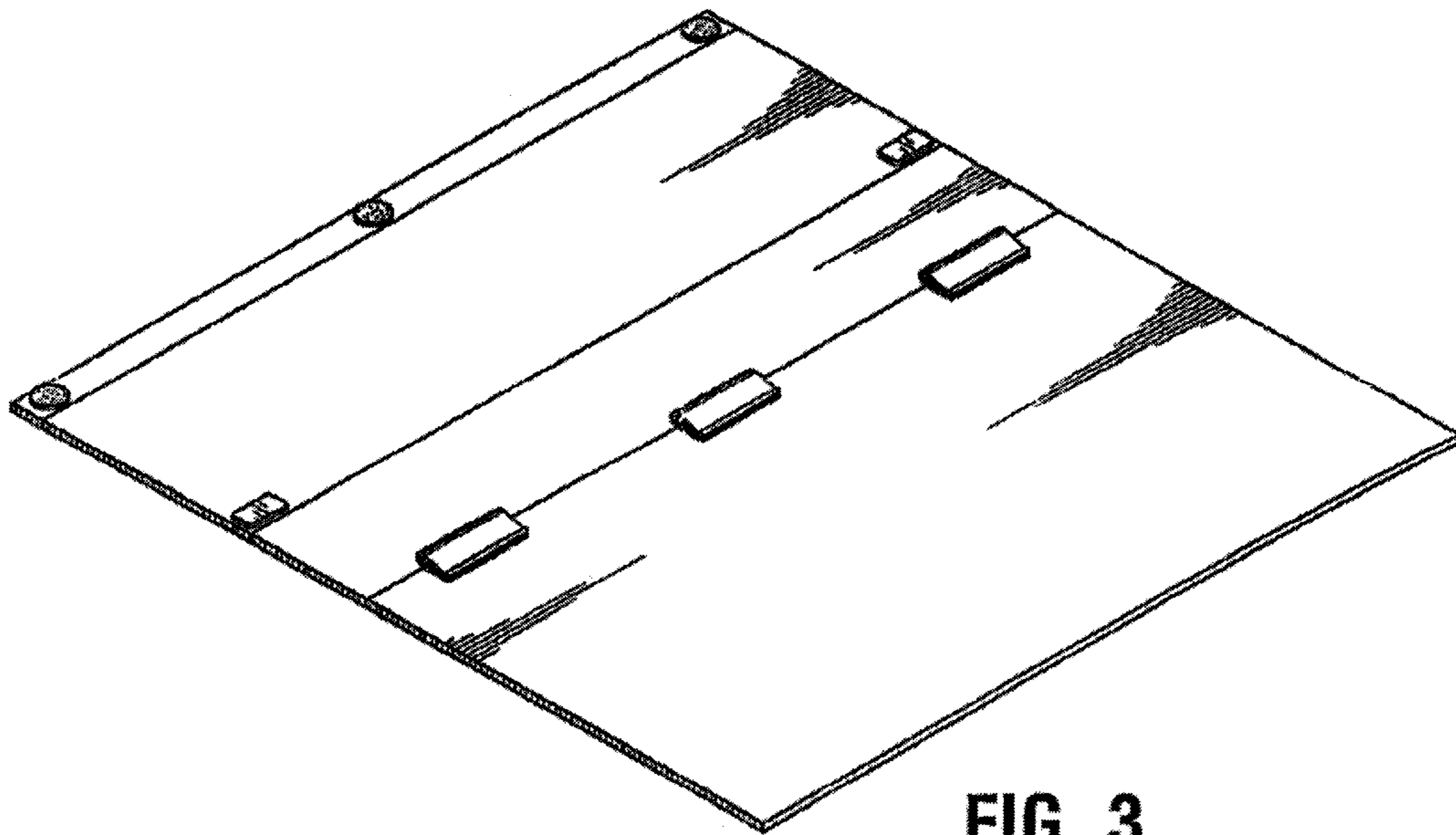


FIG. 3

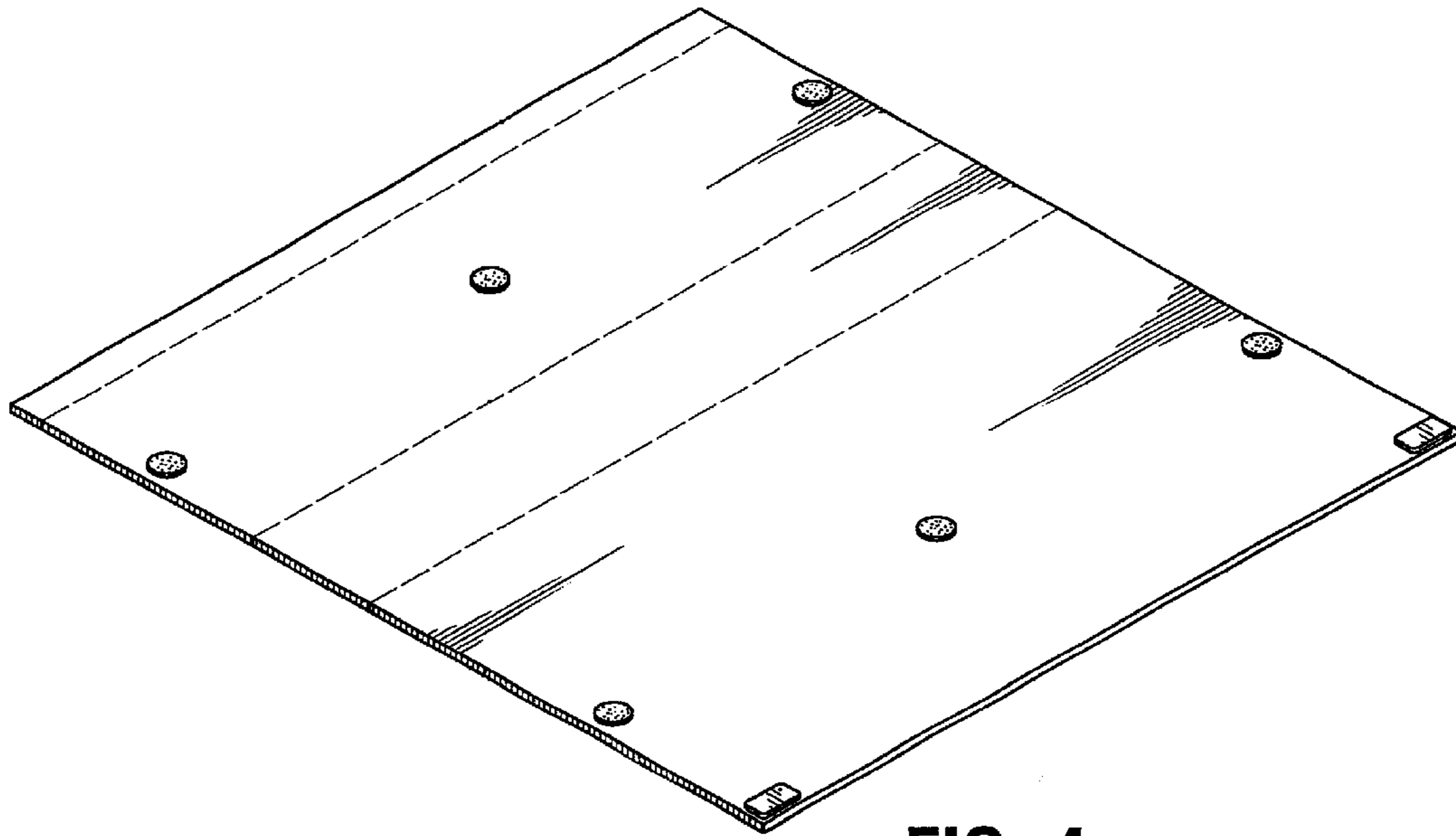


FIG. 4



FIG. 5