



US00D534711S

(12) **United States Design Patent**
Kim

(10) **Patent No.:** **US D534,711 S**

(45) **Date of Patent:** **** Jan. 9, 2007**

(54) **UPPER-PIPING VISOR**

(75) Inventor: **Jong Tark Kim**, Seoul (KR)

(73) Assignee: **DADA Corp.**, Seoul (KR)

(**) Term: **14 Years**

(21) Appl. No.: **29/222,115**

(22) Filed: **Jan. 27, 2005**

(51) **LOC (8) Cl.** **02-03**

(52) **U.S. Cl.** **D2/893**

(58) **Field of Classification Search** D2/865,
D2/869, 871, 872, 875, 876, 879, 882, 891,
D2/893; 2/171, 171.1, 171.02, 171.4, 174,
2/175.3, 181, 181.4, 195.6, 195.7, 209.12
See application file for complete search history.

(56) **References Cited**

U.S. PATENT DOCUMENTS

- D438,366 S * 3/2001 Park D2/893
- D452,767 S * 1/2002 Balloni et al. D2/882
- D475,840 S 6/2003 Park
- D478,710 S * 8/2003 Yan D2/882
- D478,712 S * 8/2003 Kirby D2/893

- D492,094 S 6/2004 Park
- D492,470 S 7/2004 Park
- D492,471 S * 7/2004 Park D2/893
- D502,592 S * 3/2005 Hathaway D2/893

* cited by examiner

Primary Examiner—Robert M. Spear
Assistant Examiner—Mary Ann Calabrese

(57) **CLAIM**

The ornamental design for an “upper-piping visor,” as shown and described.

DESCRIPTION

FIG. 1 is a perspective view of “upper-piping visor” showing my new design;
FIG. 2 is a front elevational view thereof;
FIG. 3 is a bottom plan view thereof;
FIG. 4 is a left elevational view of thereof; and,
FIG. 5 is a right elevational view of thereof.
The darker portion of the visor represents a difference in color
The broken line showing of the crown is for illustrative purposes only and forms no part of the claimed design.

1 Claim, 3 Drawing Sheets

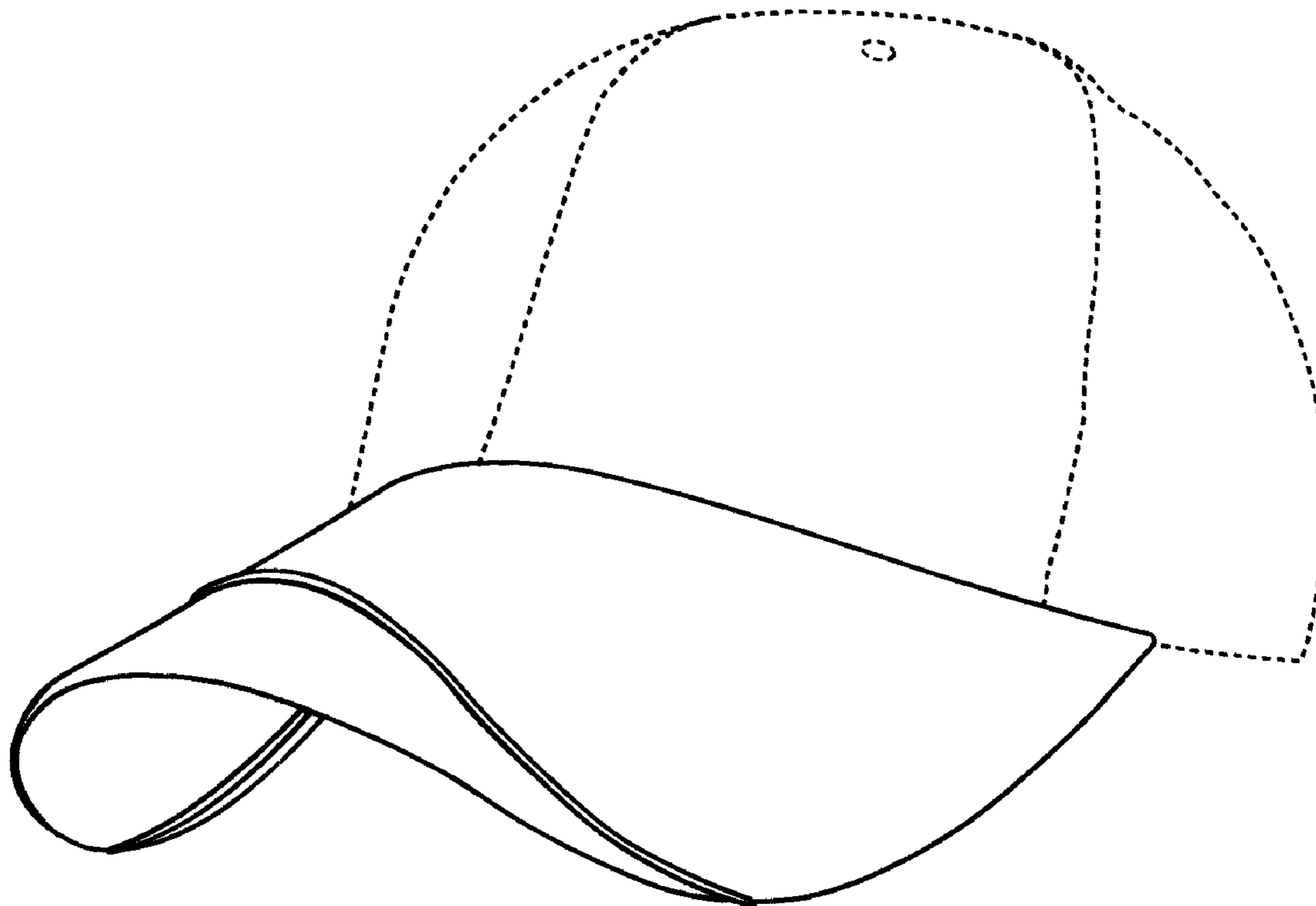


FIG.1

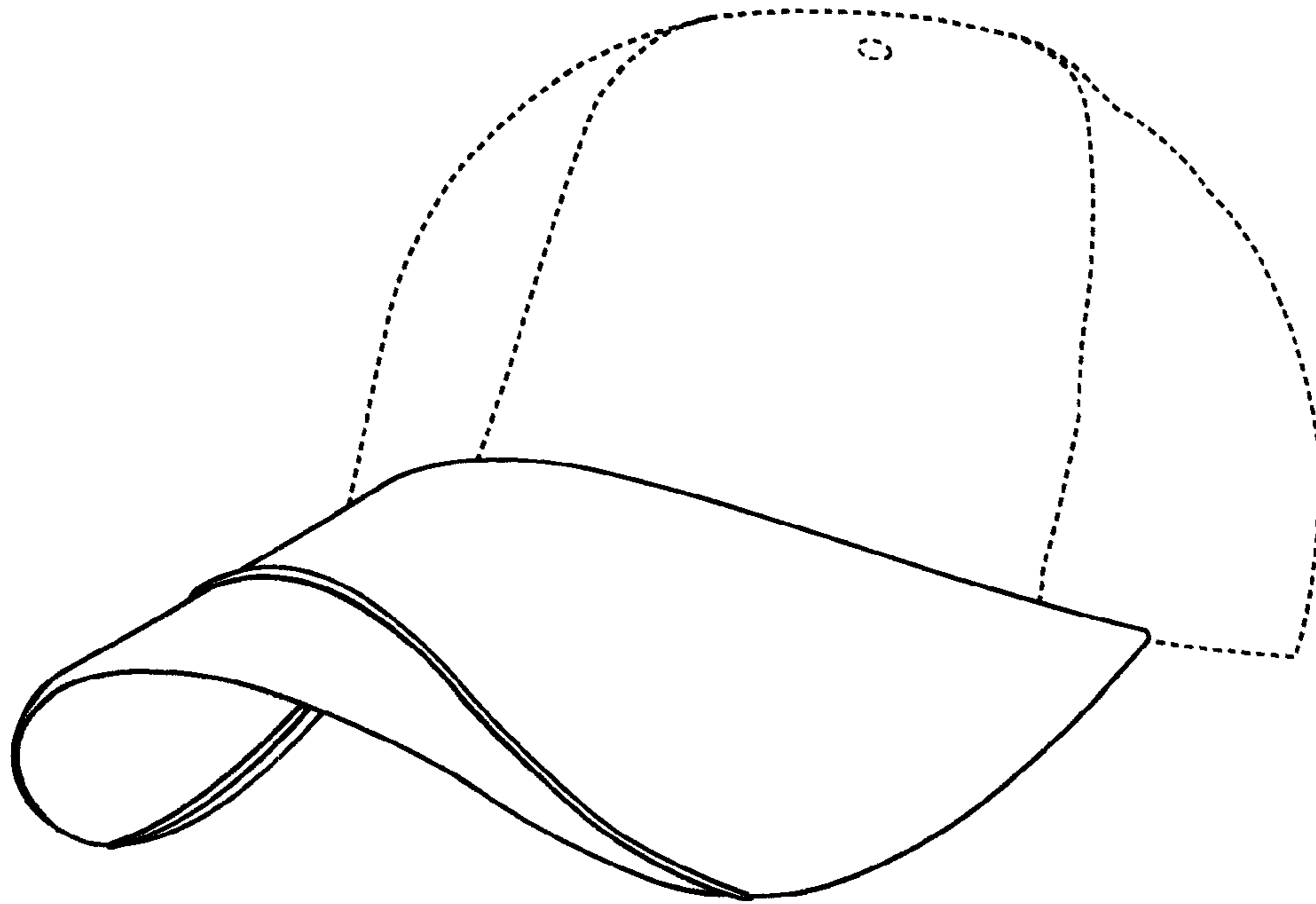


FIG.2

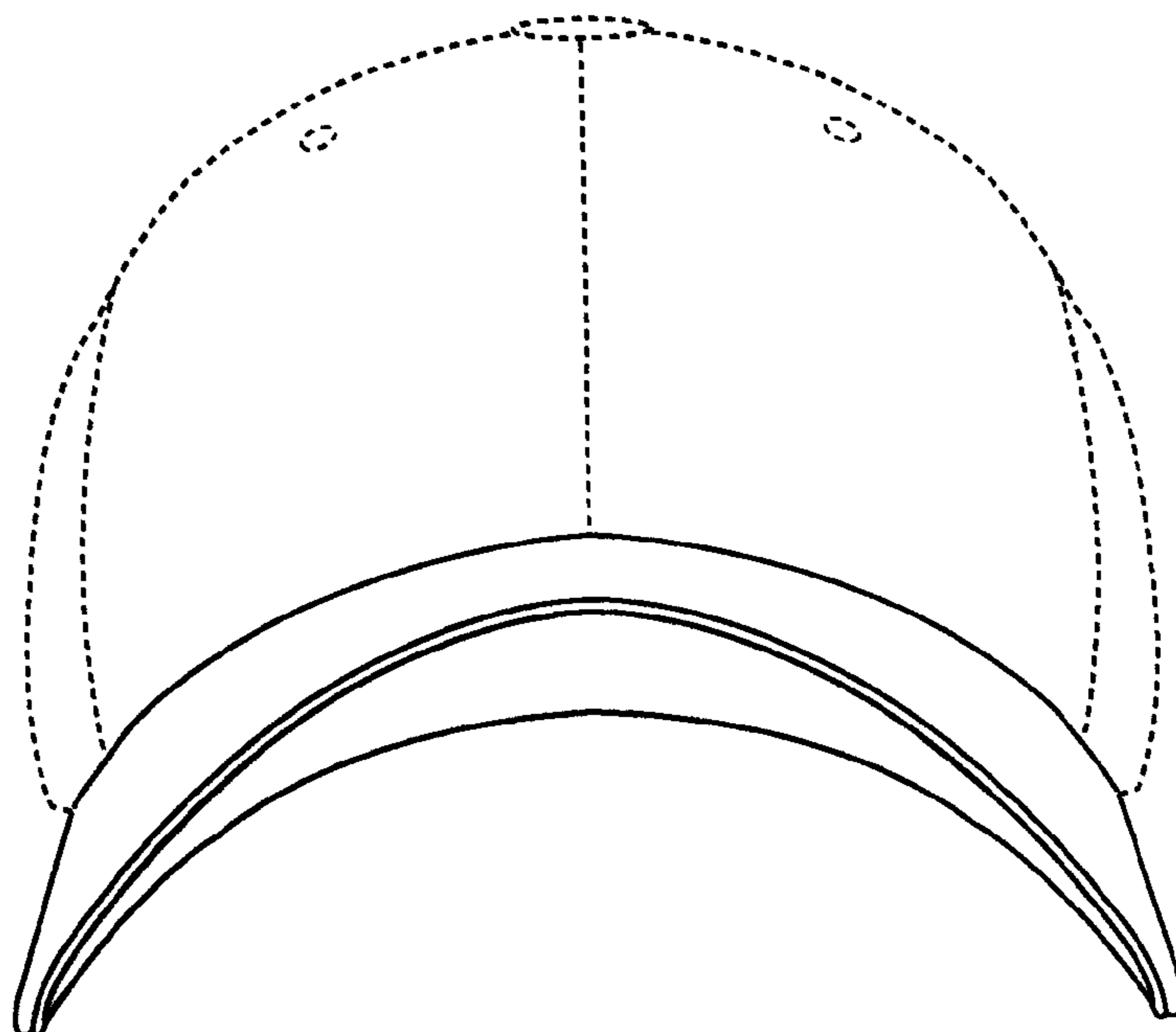


FIG.3

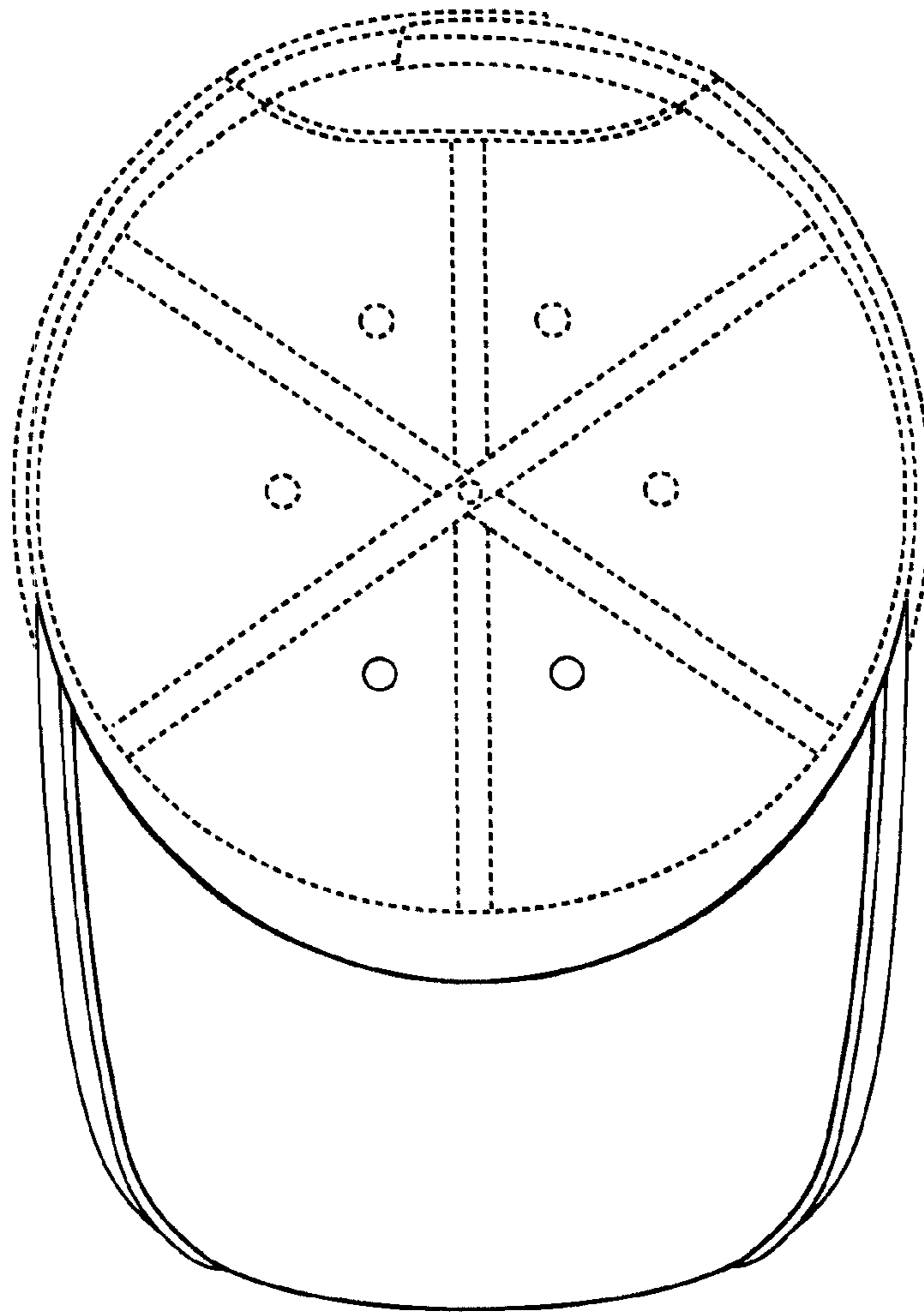


FIG.4

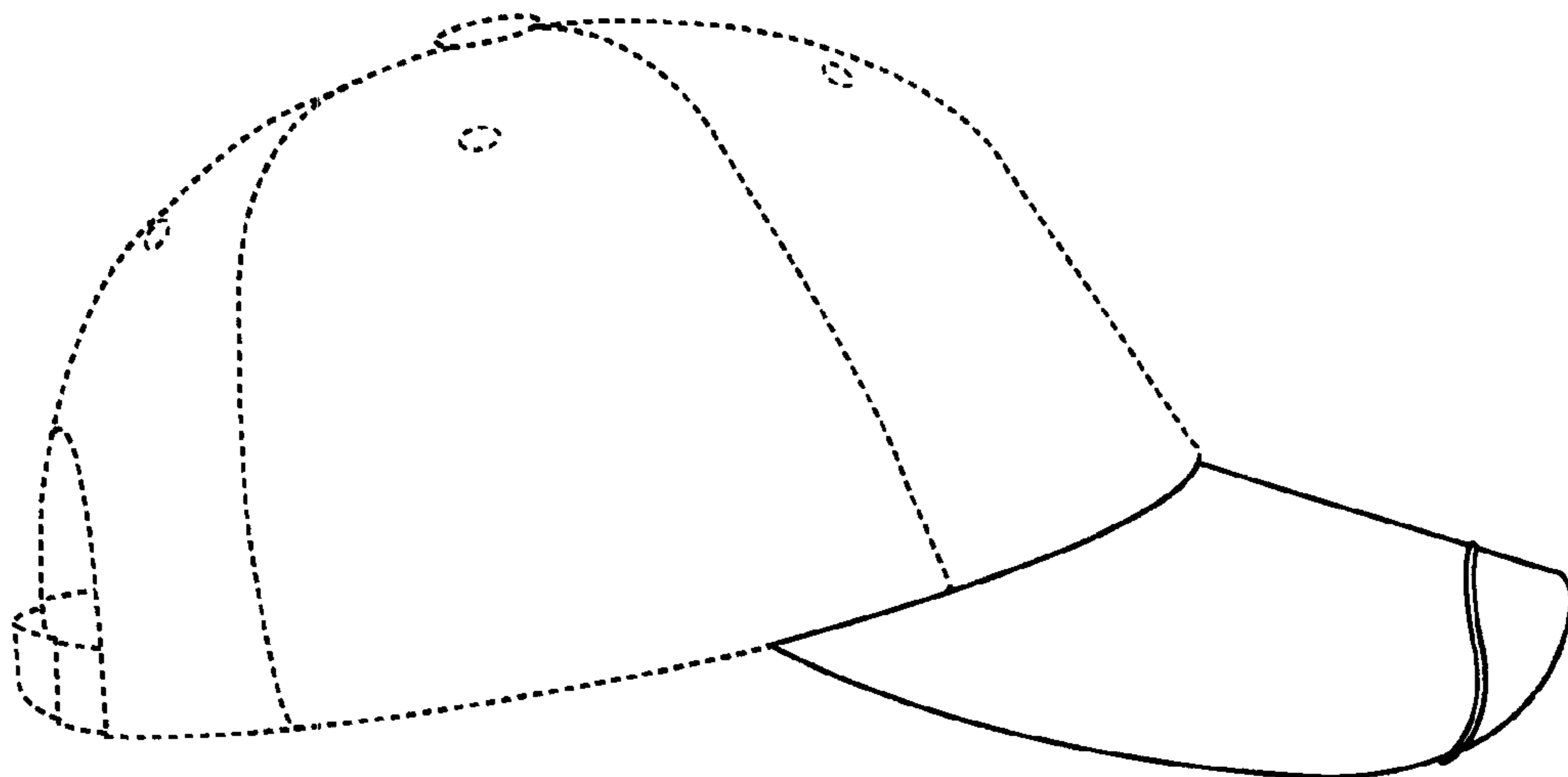


FIG.5

