



US00D534705S

(12) **United States Design Patent**
Kang et al.

(10) **Patent No.: US D534,705 S**
(45) **Date of Patent: ** Jan. 2, 2007**

(54) **AUTOMATED TELLER MACHINE**

(75) Inventors: **Dong Goo Kang**, Kyungi-Do (KR);
Jong Ok Lee, Kyungi-Do (KR); **Hee Yeoun Lee**, Kyungi-Do (KR)

(73) Assignee: **Nautilus Hyosung Inc.**, Seoul (KR)

(**) Term: **14 Years**

(21) Appl. No.: **29/243,030**

(22) Filed: **Nov. 18, 2005**

(30) **Foreign Application Priority Data**

Sep. 30, 2005 (KR) 30-2005-0033267

(51) **LOC (8) Cl.** **99-00**

(52) **U.S. Cl.** **D99/28**

(58) **Field of Classification Search** D99/28,
D99/35, 36, 40, 41, 43; D20/1, 4, 5; D18/3.1,
D18/3.3; 235/379, 380, 381; 194/206, 217,
194/347, 350; D14/381

See application file for complete search history.

(56) **References Cited**

U.S. PATENT DOCUMENTS

D360,739 S * 7/1995 Hall D99/28

D447,164 S * 8/2001 Forslund D18/3.1
D456,587 S * 4/2002 Kit et al. D99/28
D492,080 S * 6/2004 Magee et al. D99/28
D494,730 S * 8/2004 Magee et al. D99/28
D505,240 S * 5/2005 Swaine et al. D99/28

* cited by examiner

Primary Examiner—Paula A. Greene

(74) *Attorney, Agent, or Firm*—Fish & Richardson P.C.

(57) **CLAIM**

The ornamental design for an automated teller machine, as shown and described.

DESCRIPTION

FIG. 1 is a perspective view.

FIG. 2 is a front view.

FIG. 3 is a rear view.

FIG. 4 is a left side view that is symmetric with a right side view.

FIG. 5 is a plan view; and,

FIG. 6 is a bottom view.

The combined shape and figure of the automated teller machine is claimed as the main point of creation in the design application.

1 Claim, 6 Drawing Sheets

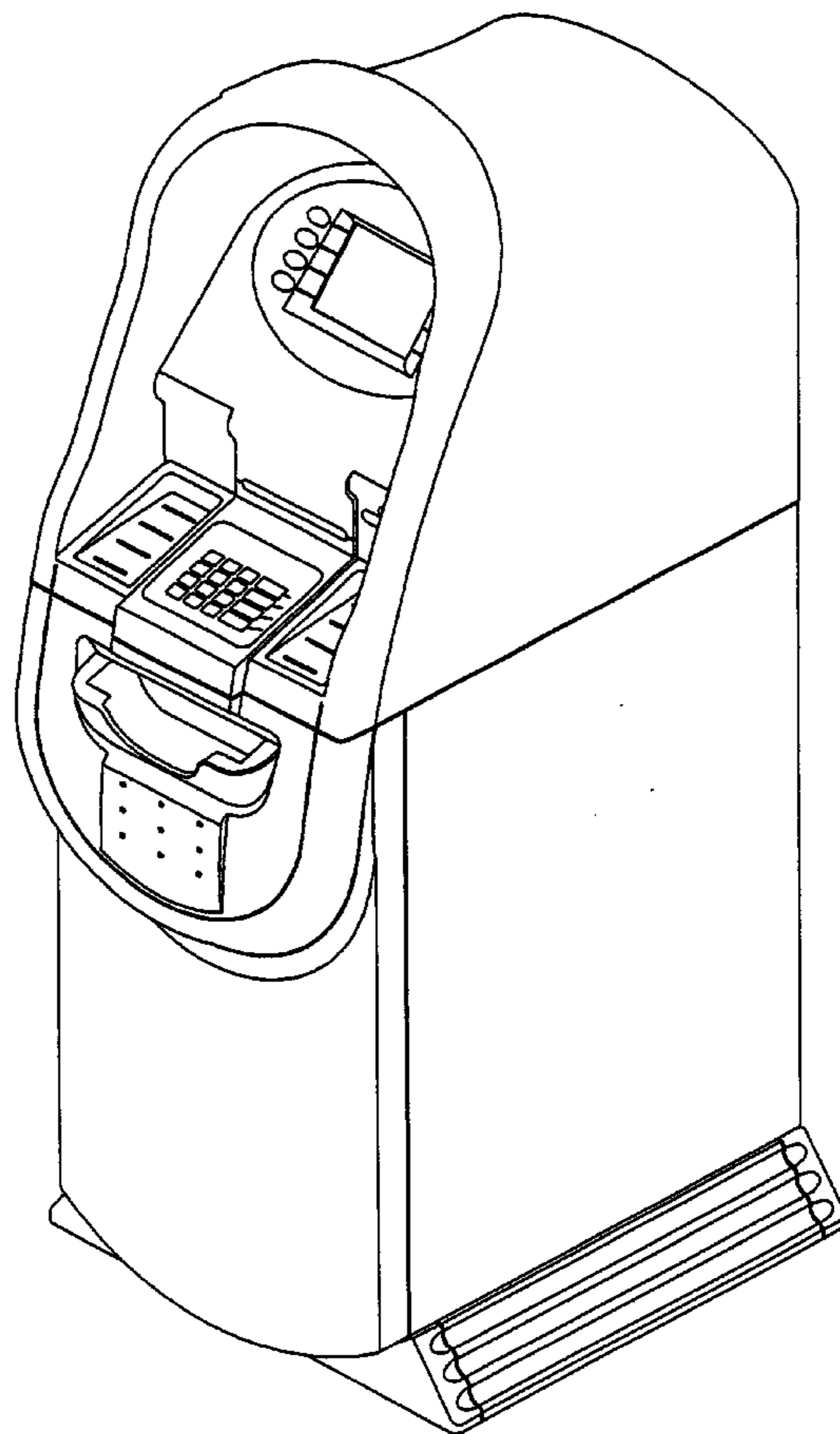


FIG. 1

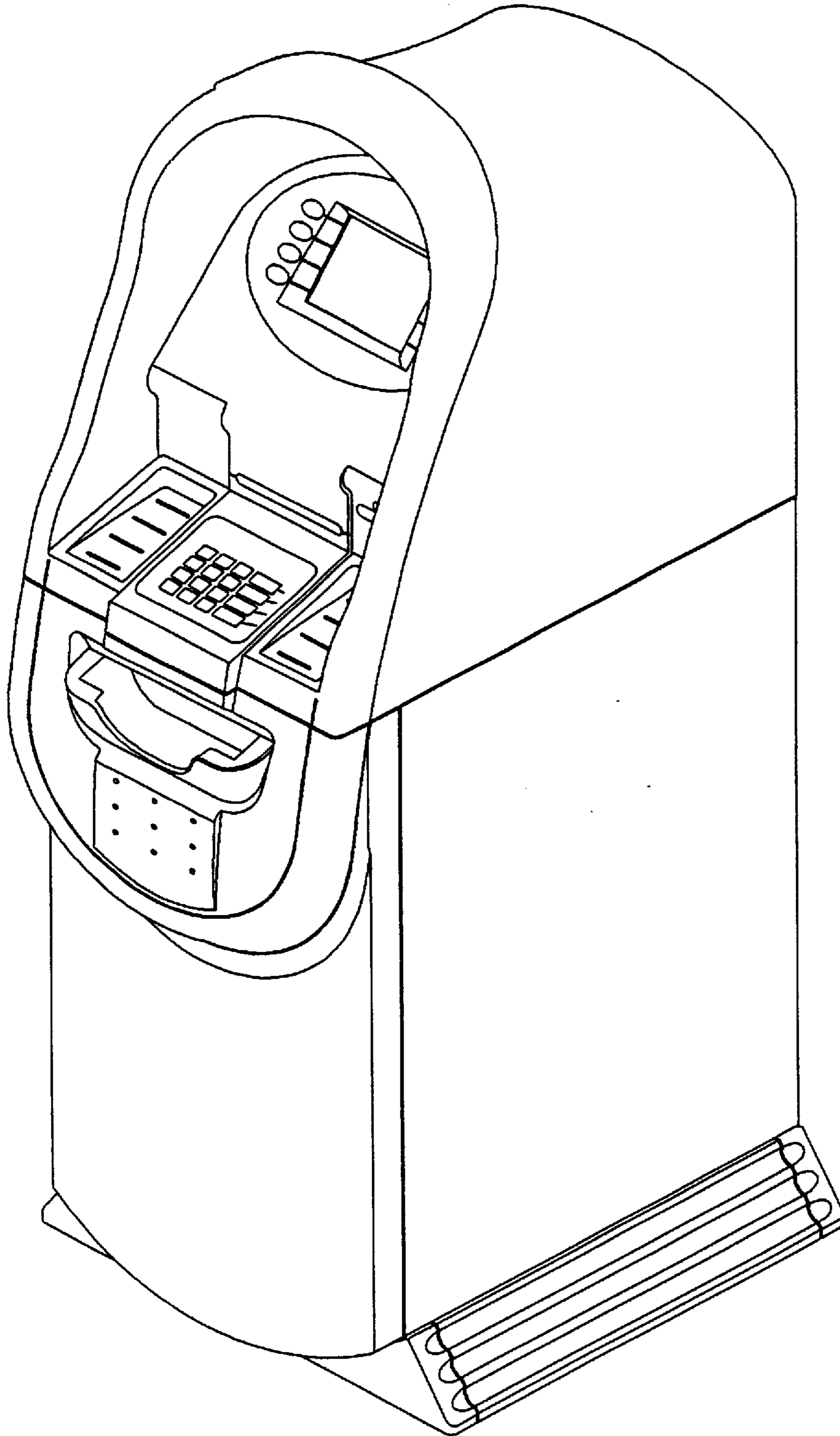


FIG. 2

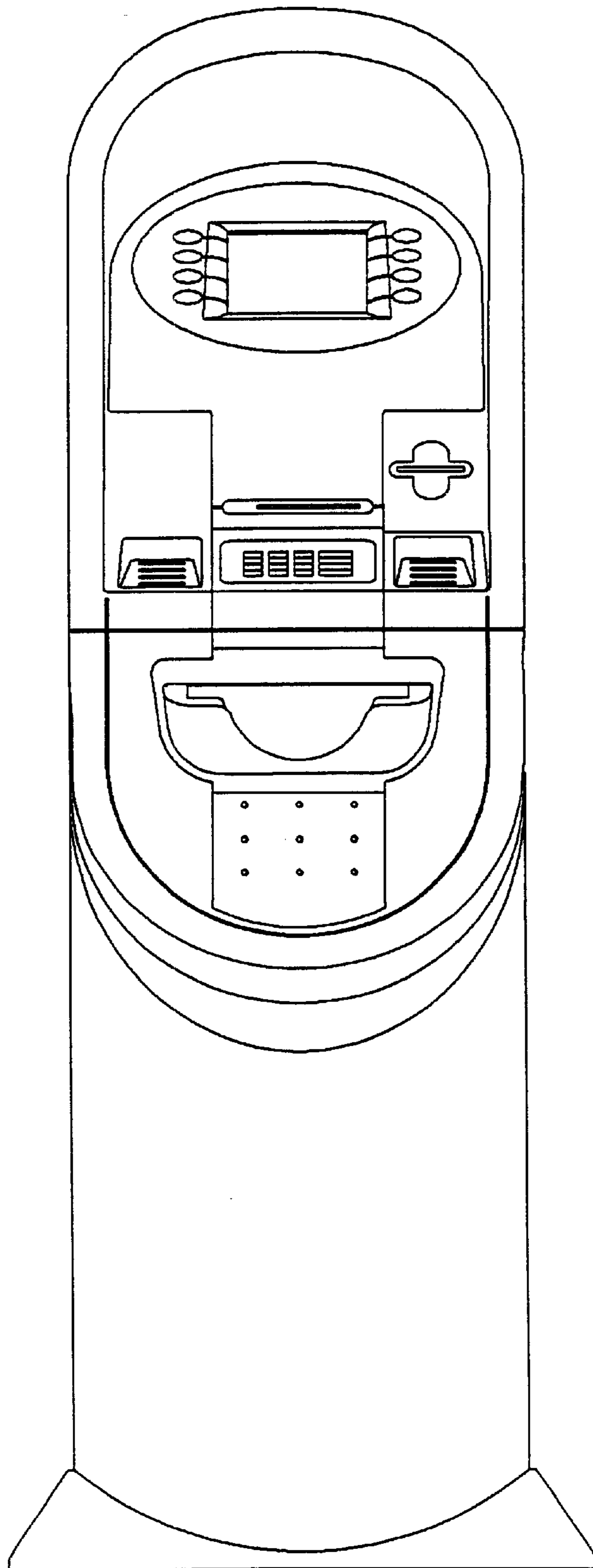


FIG. 3

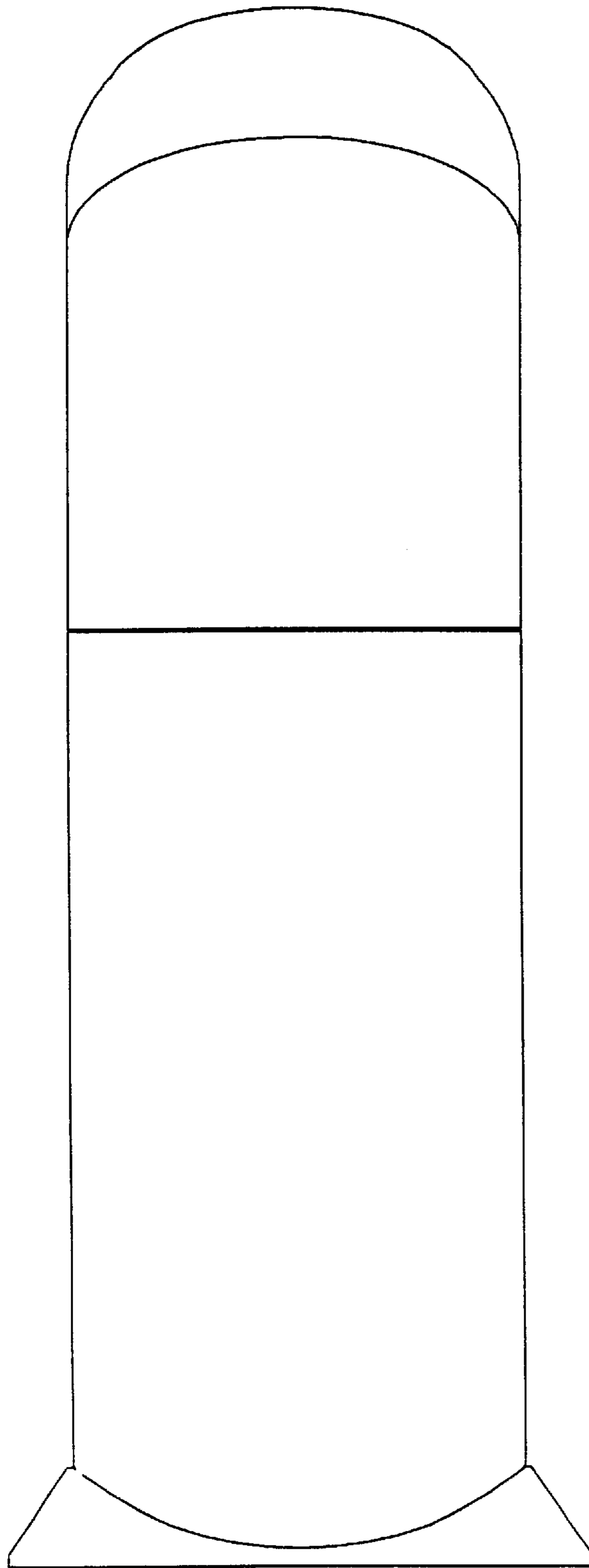


FIG. 4

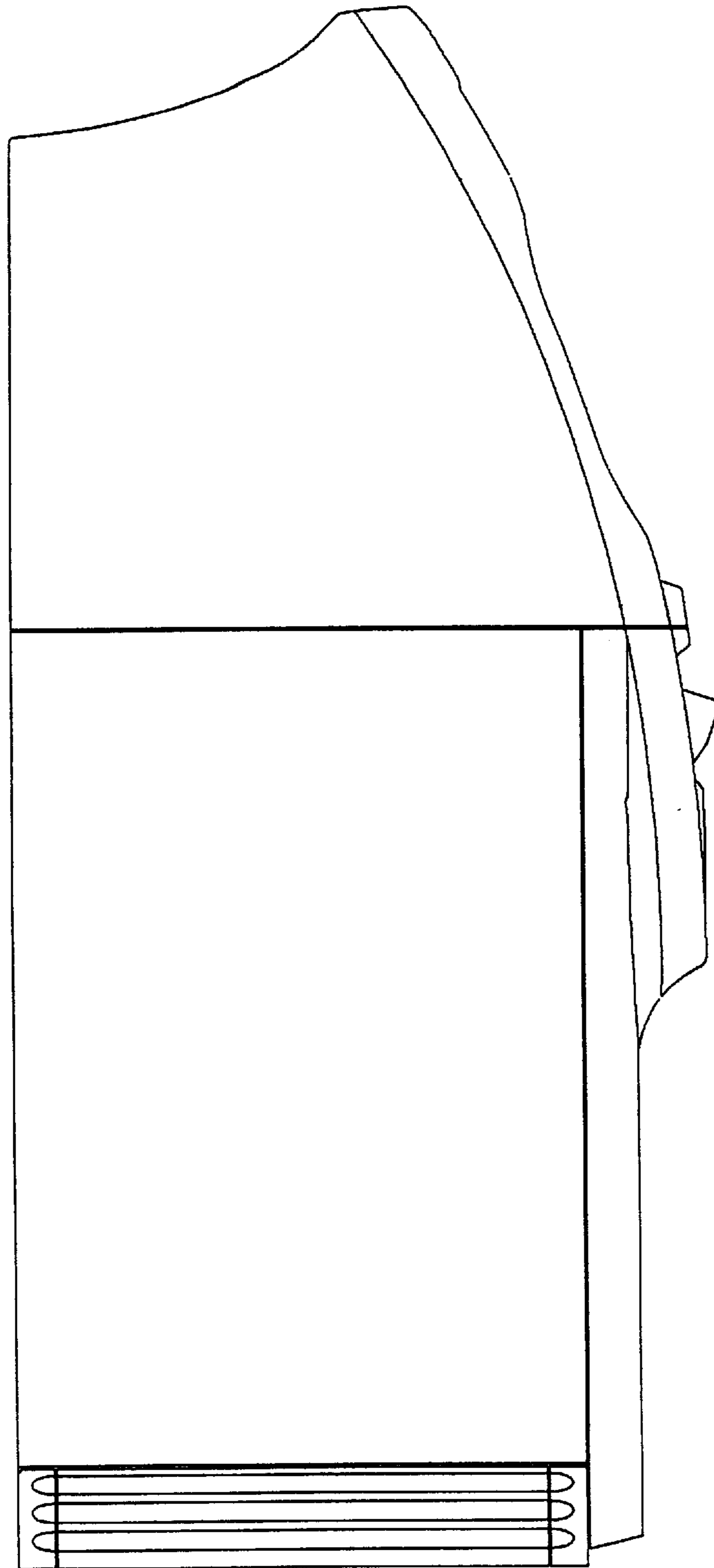


FIG. 5

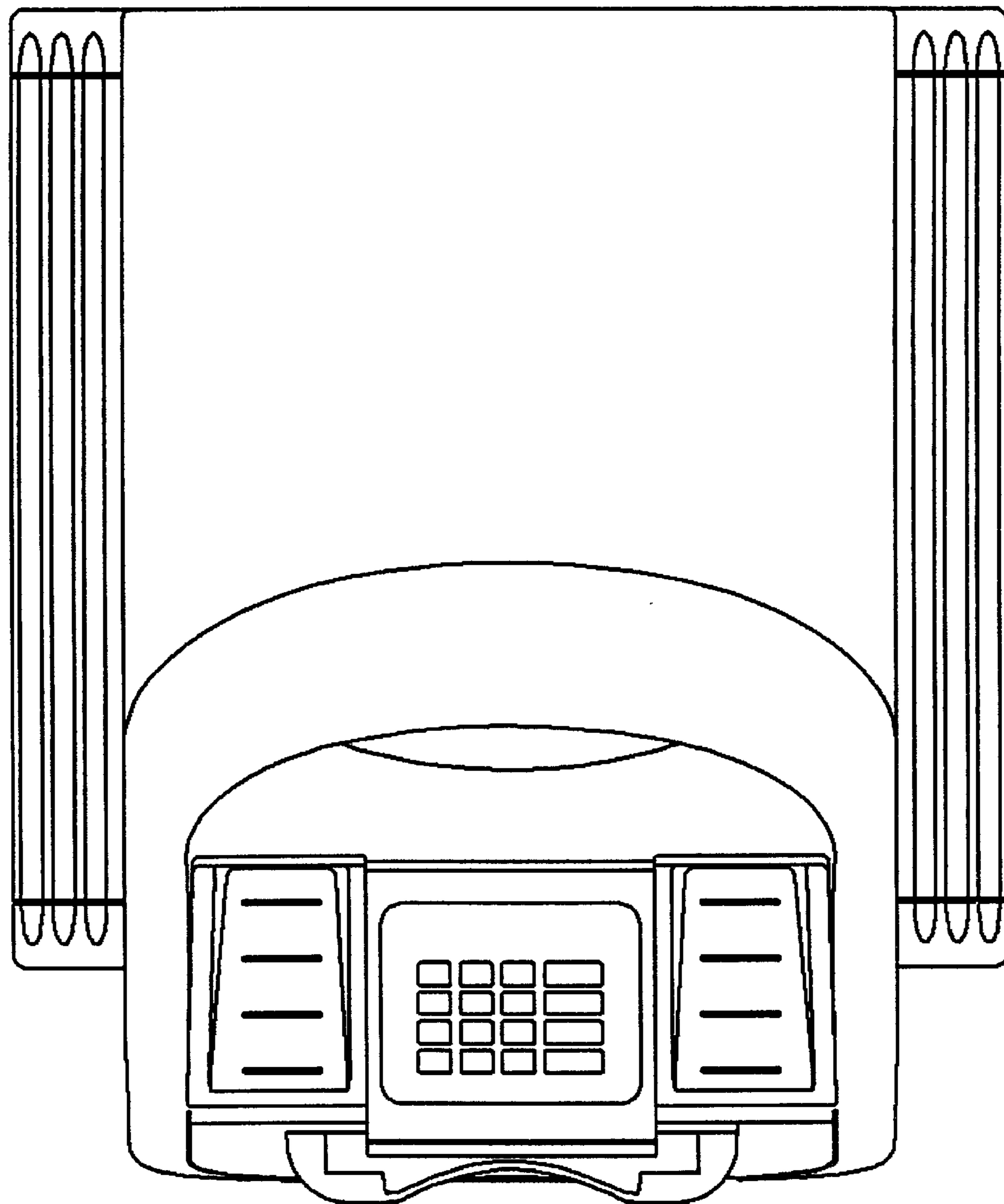


FIG. 6

