

US00D534704S

(12) **United States Design Patent** (10) **Patent No.:** **US D534,704 S**
Myers et al. (45) **Date of Patent:** **** Jan. 2, 2007**

(54) **OBJECT LIFTING DEVICE**

(75) Inventors: **Doyle R. Myers**, North Vernon, IN (US); **Trevor S. Brown**, Salem, IN (US)

(73) Assignee: **Doyle's Deer Gear**, North Vennon, IN (US)

(**) Term: **14 Years**

(21) Appl. No.: **29/236,010**

(22) Filed: **Aug. 10, 2005**

Related U.S. Application Data

(63) Continuation of application No. 10/812,733, filed on Mar. 30, 2004.

(51) **LOC (8) Cl.** **12-05**

(52) **U.S. Cl.** **D34/33**

(58) **Field of Classification Search** D34/28, D34/33; 242/385; 254/264, 266, 386, 374, 254/356

See application file for complete search history.

(56) **References Cited**

U.S. PATENT DOCUMENTS

- 934,114 A * 9/1909 Weaver 242/379.2
- 3,556,485 A * 1/1971 Orr 254/386
- 4,158,797 A * 6/1979 Alcott 318/371
- 4,467,982 A * 8/1984 Tajima et al. 242/385
- 4,706,940 A * 11/1987 Harig 254/333

- D318,941 S * 8/1991 Avery D34/33
- 5,339,461 A * 8/1994 Luplow 455/351
- D393,515 S * 4/1998 Pettersson D34/33
- 5,957,433 A * 9/1999 Fujikawa et al. 254/371
- D438,358 S * 2/2001 Huang D34/33
- D523,208 S * 6/2006 Inglis D34/33

* cited by examiner

Primary Examiner—Cynthia E. Ramirez

(74) *Attorney, Agent, or Firm*—Woodard, Emhardt, Moriarty McNett & Henry LLP

(57) **CLAIM**

The ornamental design for an object lifting device, as shown and described.

DESCRIPTION

FIG. 1 is a perspective view of the object lifting device.

FIG. 2 is a front side elevational view of the object lifting device of FIG. 1.

FIG. 3 is a left side elevational view of the object lifting device of FIG. 1.

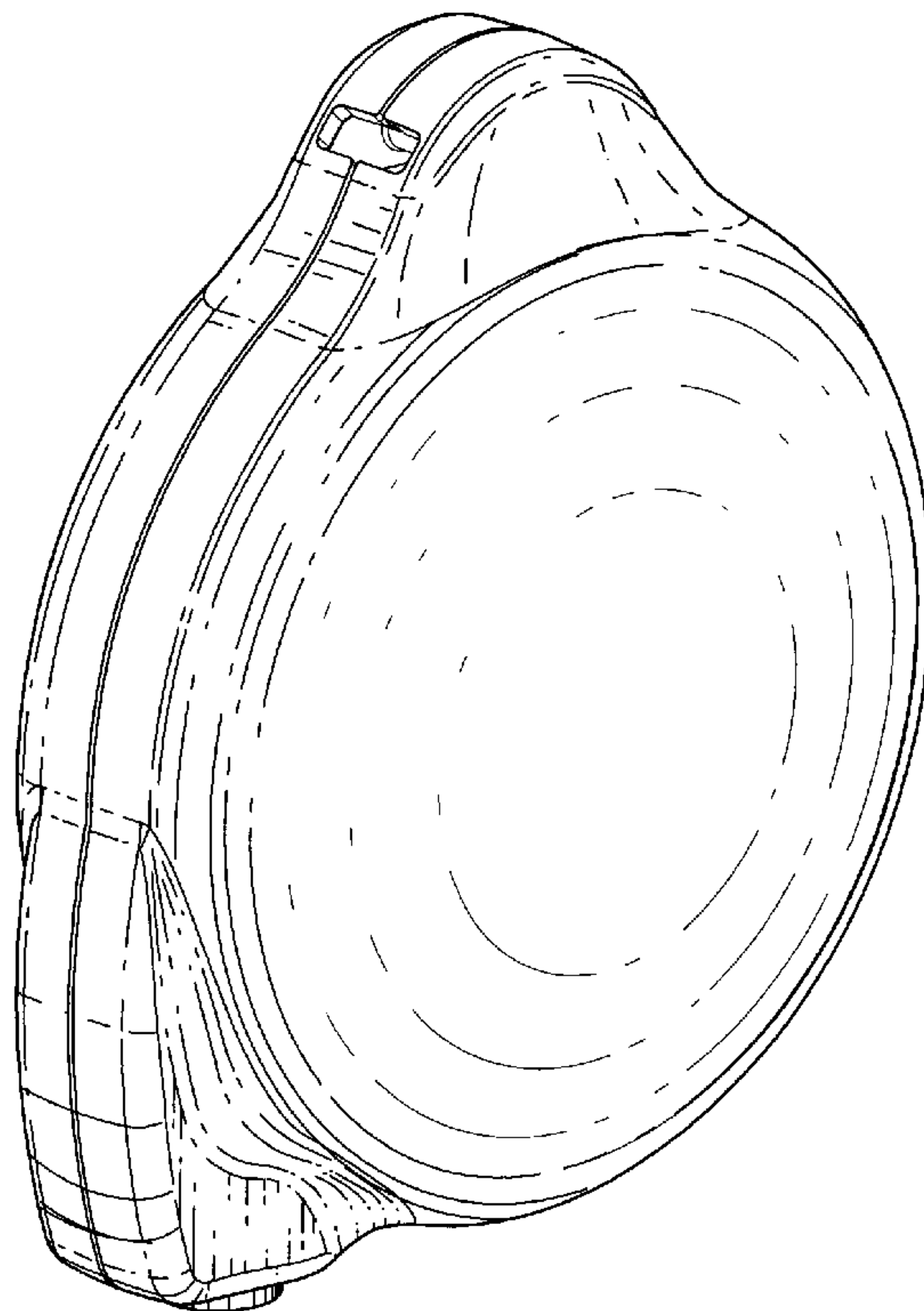
FIG. 4 is a back side elevational view of the object lifting device of FIG. 1.

FIG. 5 is a right side elevational view of the object lifting device of FIG. 1.

FIG. 6 is a top view of the object lifting device of FIG. 1; and,

FIG. 7 is a bottom view of the object lifting device of FIG. 1.

1 Claim, 4 Drawing Sheets



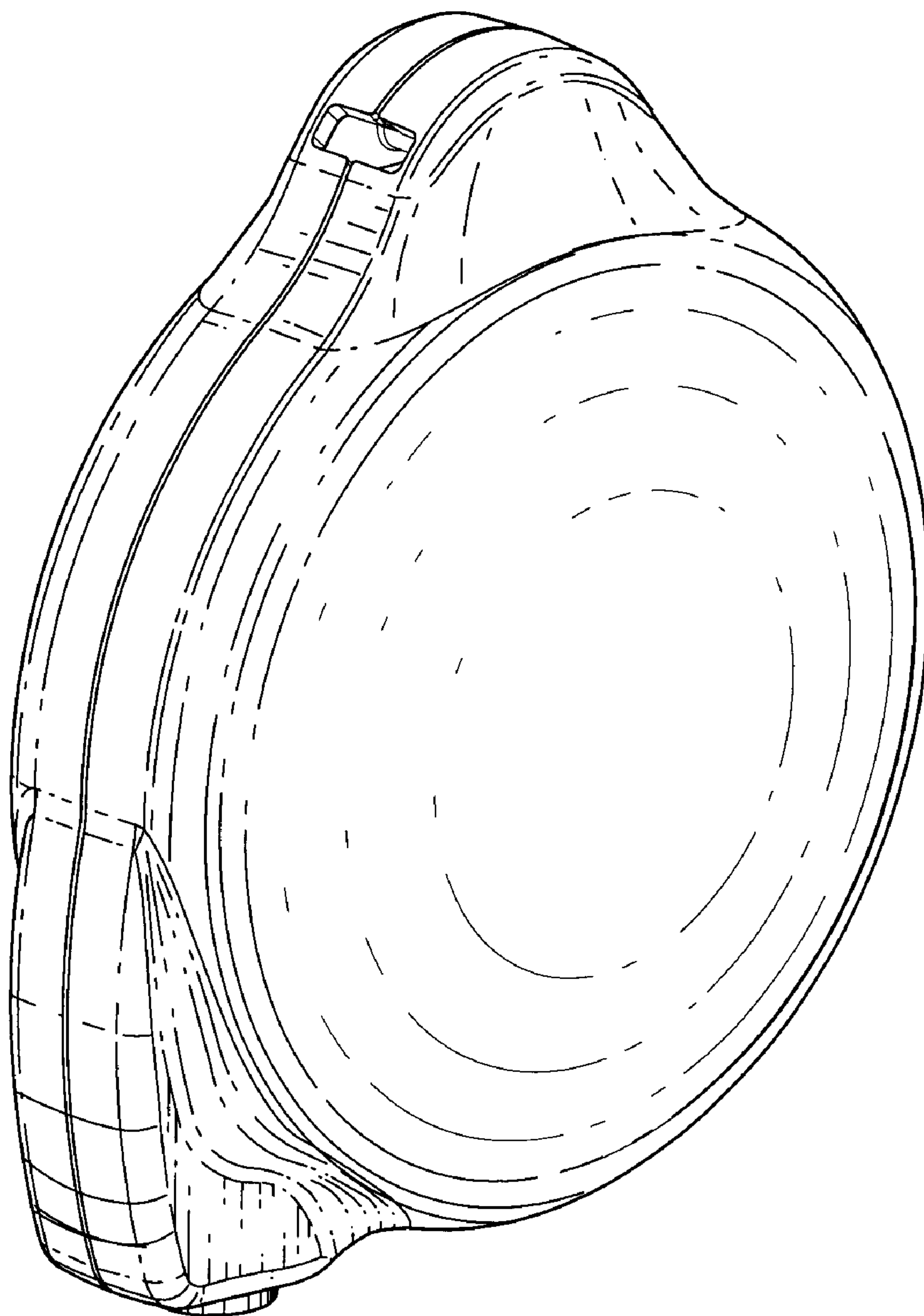


Fig. 1

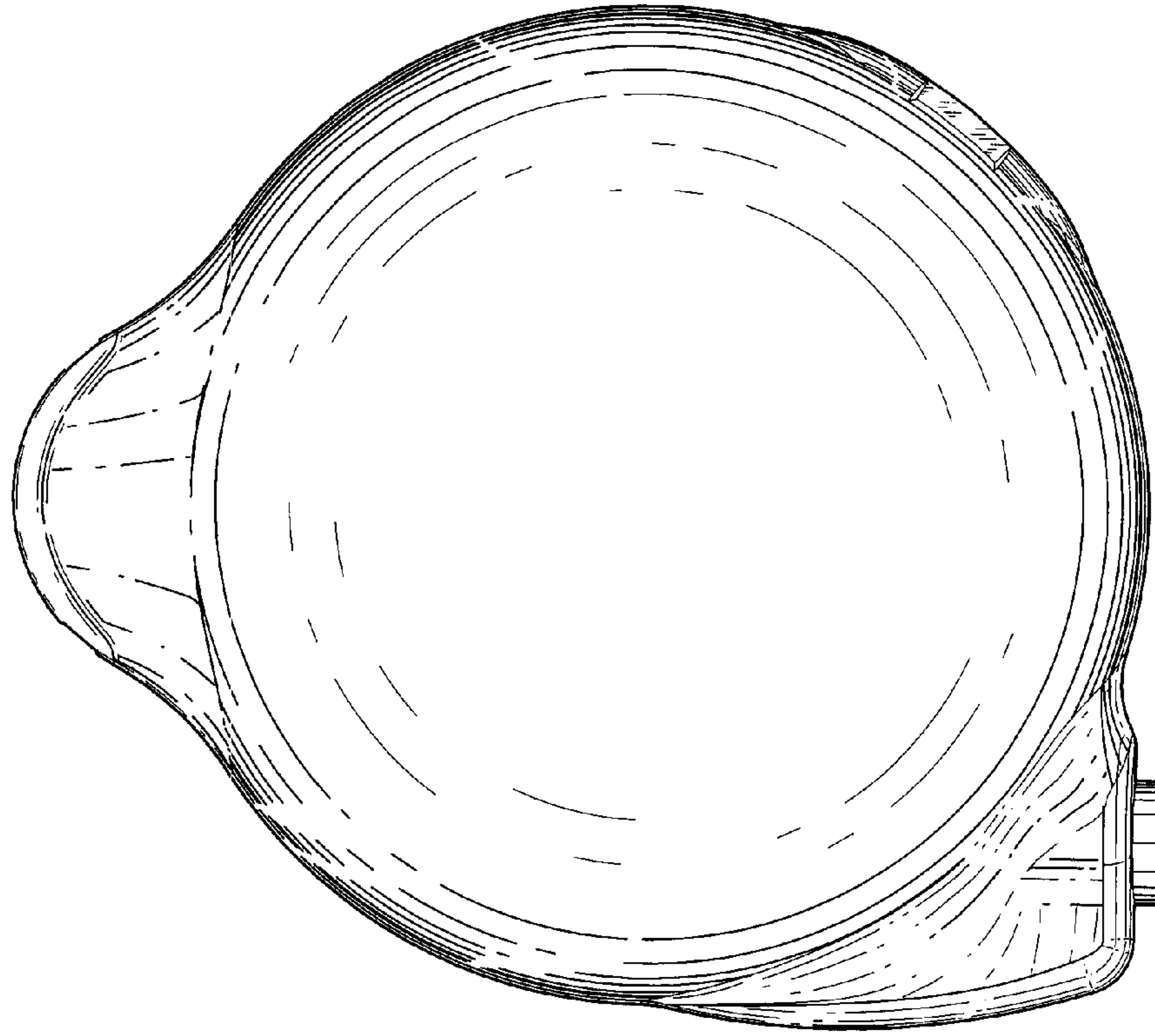


Fig. 2

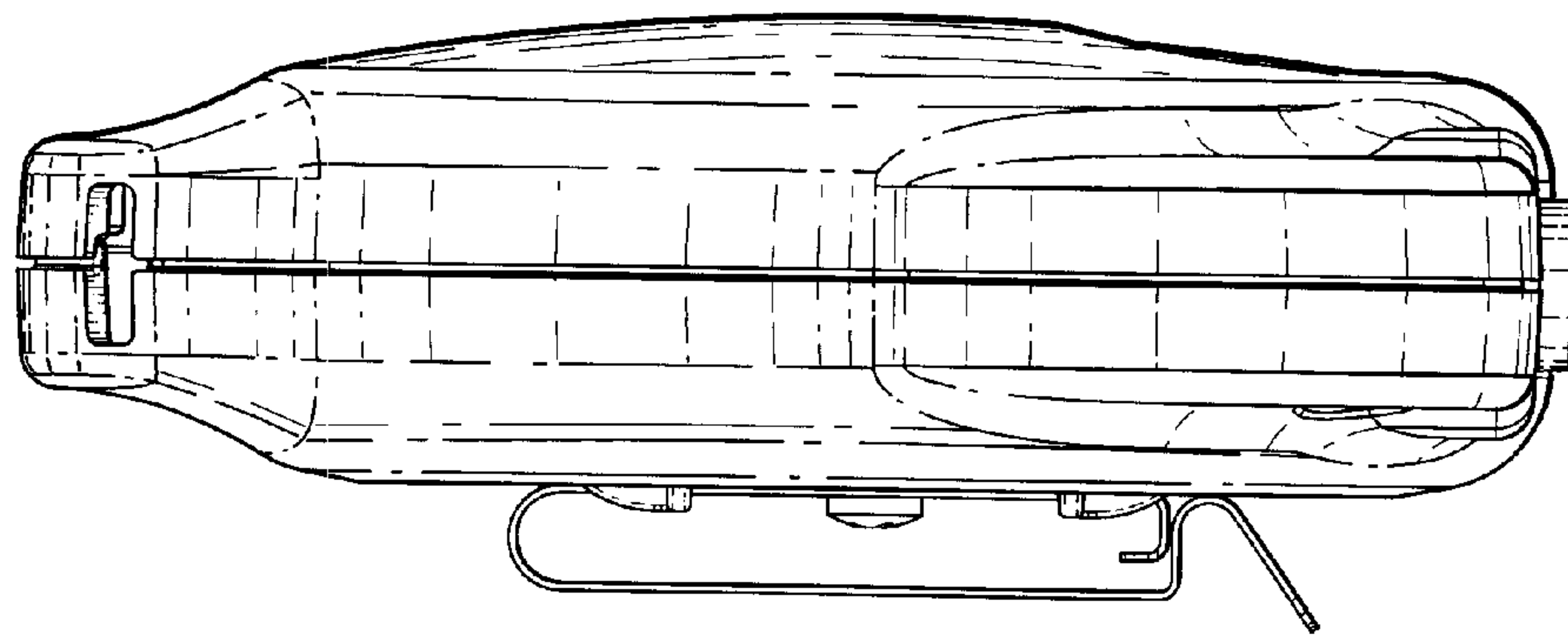


Fig. 3

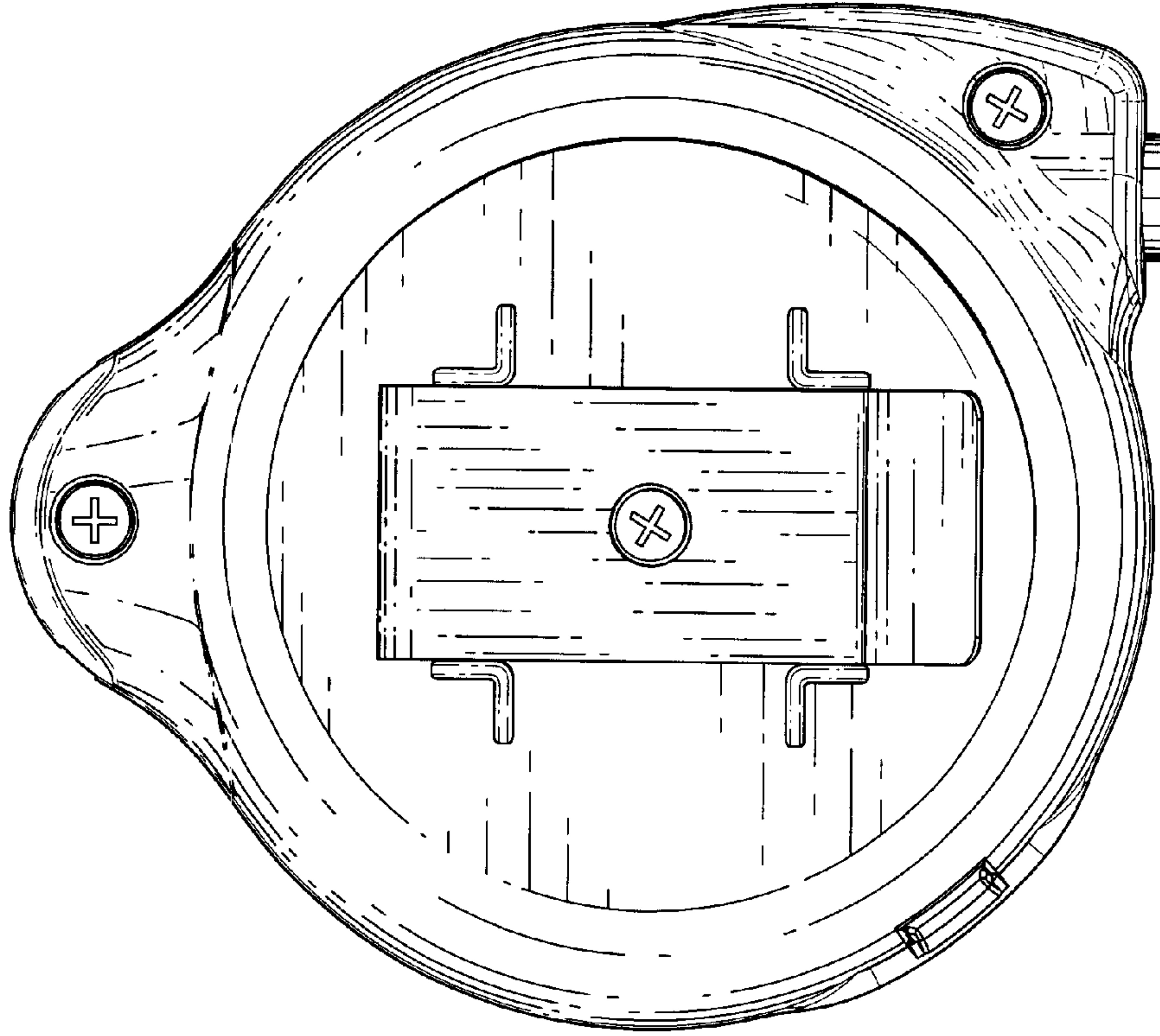


Fig. 4

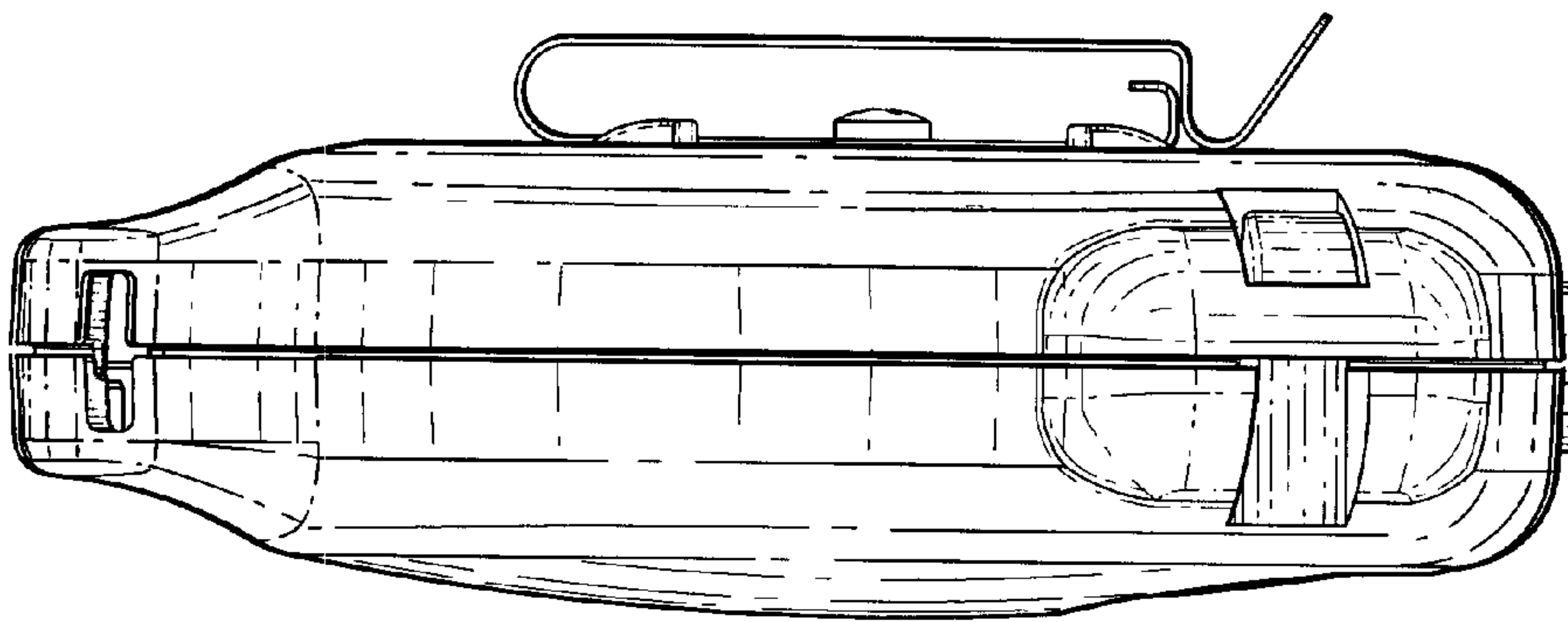


Fig. 5

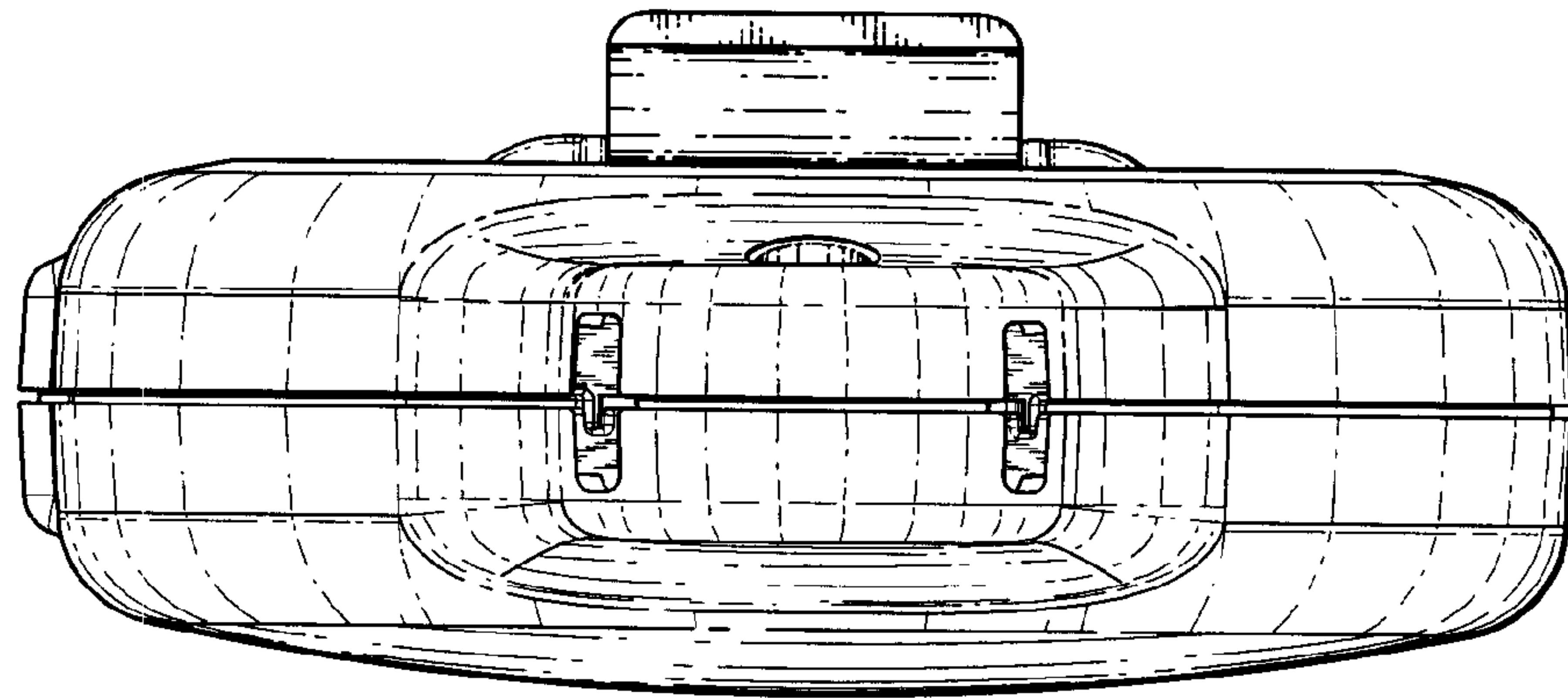


Fig. 6

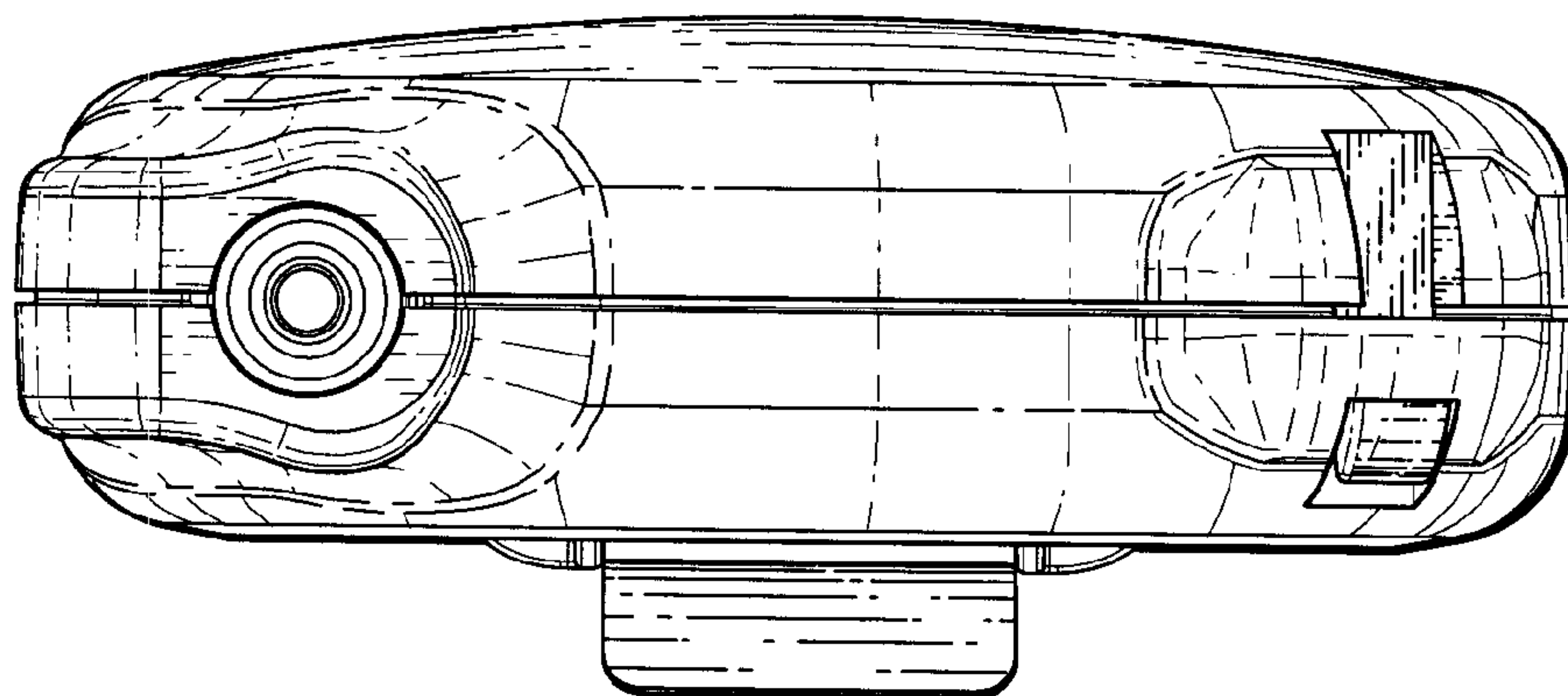


Fig. 7