



US00D534701S

(12) **United States Design Patent**
Schmidt

(10) **Patent No.:** **US D534,701 S**

(45) **Date of Patent:** **** Jan. 2, 2007**

(54) **EXPANDABLE DISH RACK**

(75) **Inventor:** **George Schmidt**, Douglaston, NY (US)

(73) **Assignee:** **Creative Bath Products, Inc.**, Central Islip, NY (US)

(**) **Term:** **14 Years**

(21) **Appl. No.:** **29/241,211**

(22) **Filed:** **Oct. 25, 2005**

(51) **LOC (8) Cl.** **07-05**

(52) **U.S. Cl.** **D32/55**

(58) **Field of Classification Search** D32/55-56,
D32/58; 4/637, 656; 211/41.2-41.4, 41.8-41.9,
211/85.25, 126.8-126.9, 181.1; 220/485,
220/487-488, 494, 572; D6/462
See application file for complete search history.

(56) **References Cited**

U.S. PATENT DOCUMENTS

2,479,118	A	8/1949	Jenness	
D188,864	S	* 9/1960	Stansbury D32/55
3,025,967	A	3/1962	Christophersen	
3,027,041	A	* 3/1962	Stansbury, Jr. et al. 220/572
3,800,957	A	4/1974	Krause	
4,169,638	A	10/1979	Cirasuolo et al.	
4,726,475	A	2/1988	Ferenzi	
5,492,237	A	2/1996	Chang	
D374,526	S	* 10/1996	Breen et al. D32/55
D408,603	S	* 4/1999	Haley D32/55
6,179,134	B1	1/2001	Pine et al.	

6,357,605	B1	3/2002	Martorella	
6,502,704	B1	1/2003	Martorella et al.	
6,516,956	B1	2/2003	Martorella et al.	
6,543,069	B1	4/2003	Nelson	
D490,198	S	5/2004	Jerstroem et al.	
D492,457	S	* 6/2004	Soroka D32/55

* cited by examiner

Primary Examiner—Pamela J. Burgess

(74) *Attorney, Agent, or Firm*—Gerald E. Hespos; Anthony J. Casella

(57) **CLAIM**

The ornamental design of an “expandable dish rack”, as shown and described.

DESCRIPTION

FIG. 1 is a perspective view of an expandable dish rack in accordance with my design and showing the assembly in an expanded condition;

FIG. 2 is a top plan view of the expandable dish rack assembly in the condition shown in FIG. 1;

FIG. 3 is a front elevational view thereof;

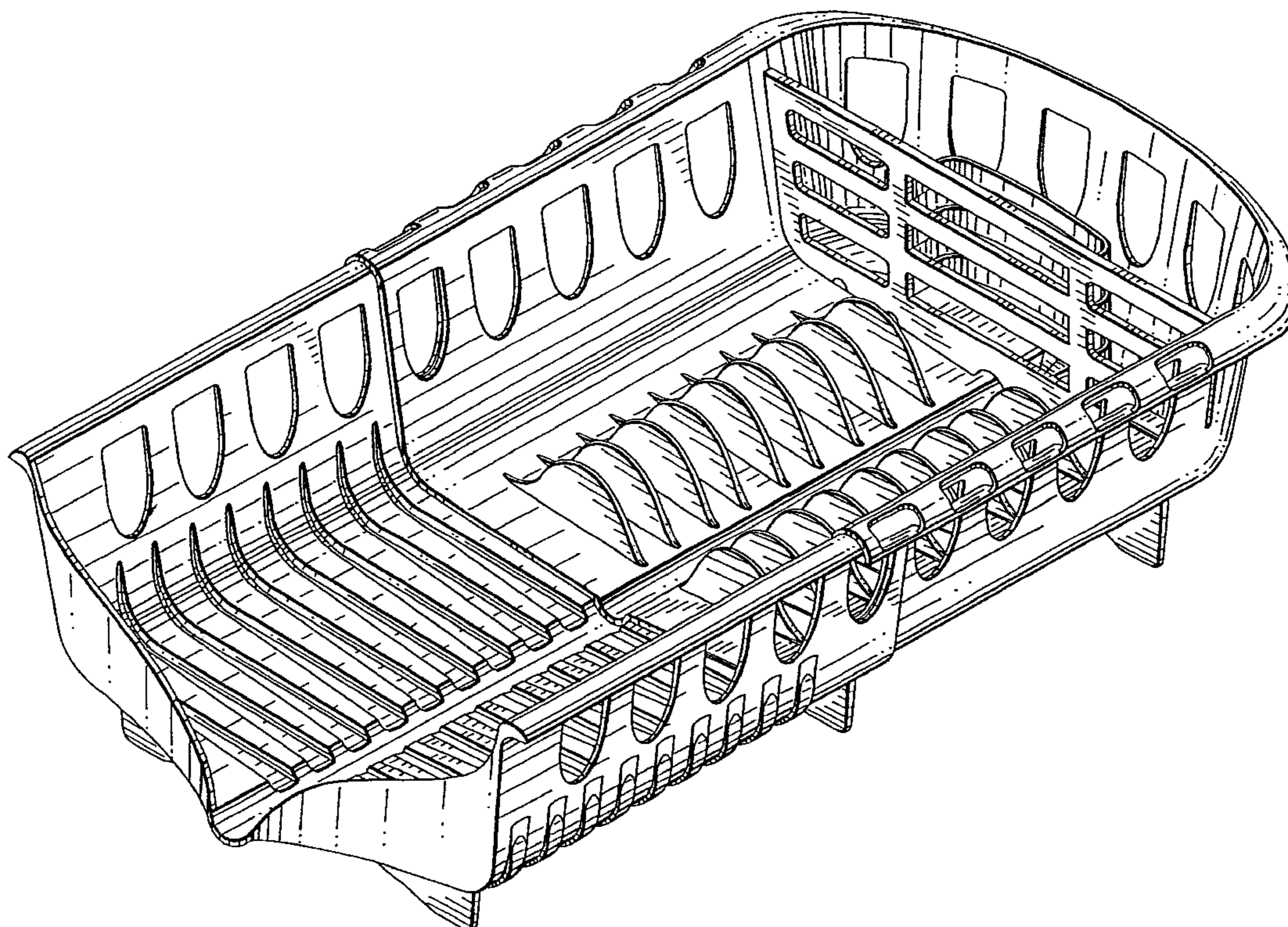
FIG. 4 is a side elevational view as viewed from the right side in FIGS. 1 and 3, with the left side view being a mirror image;

FIG. 5 is a rear elevational view thereof;

FIG. 6 is a bottom plan view thereof; and,

FIG. 7 is a perspective view of the expandable dish rack assembly in a collapsed condition.

1 Claim, 6 Drawing Sheets



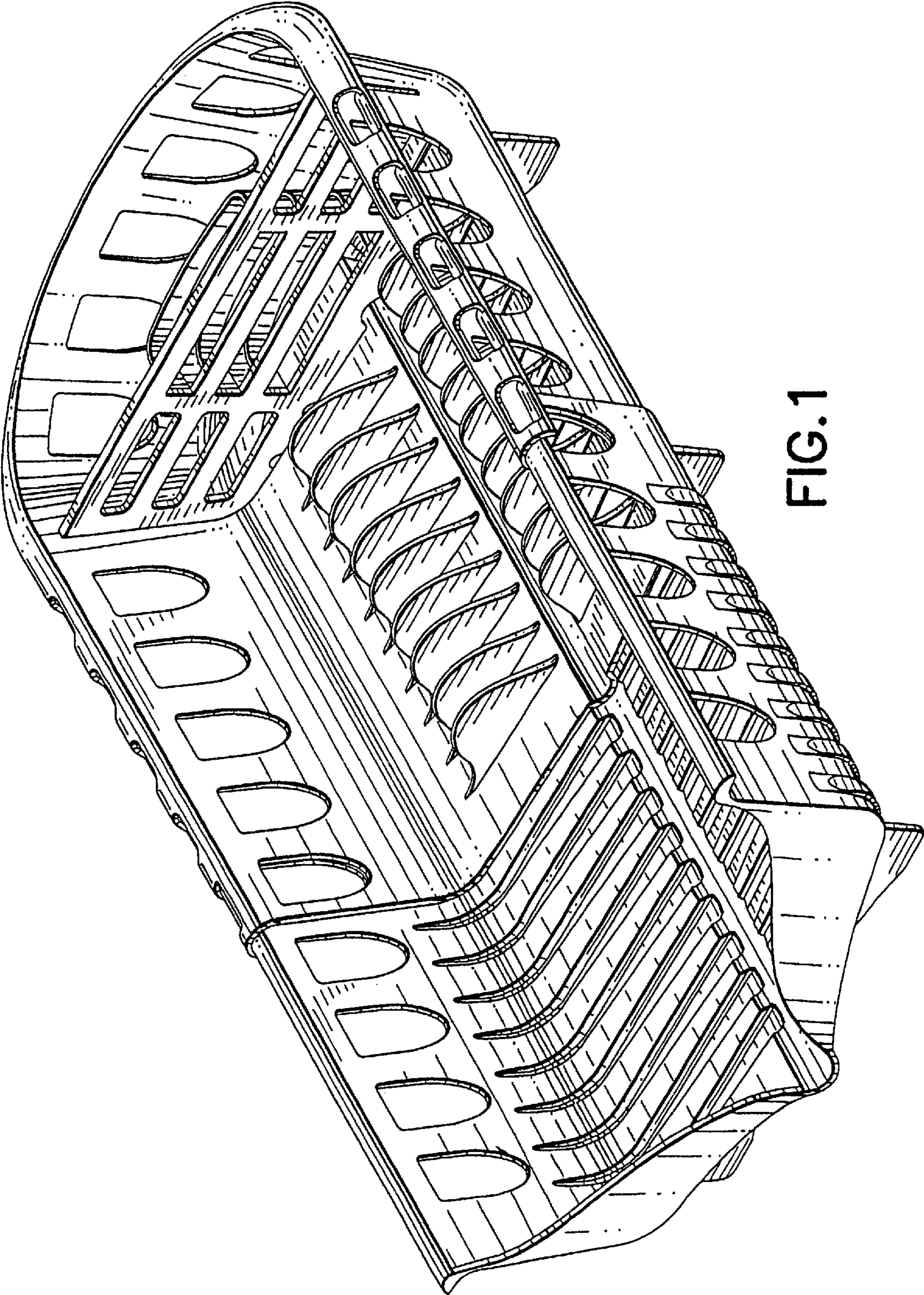


FIG. 1

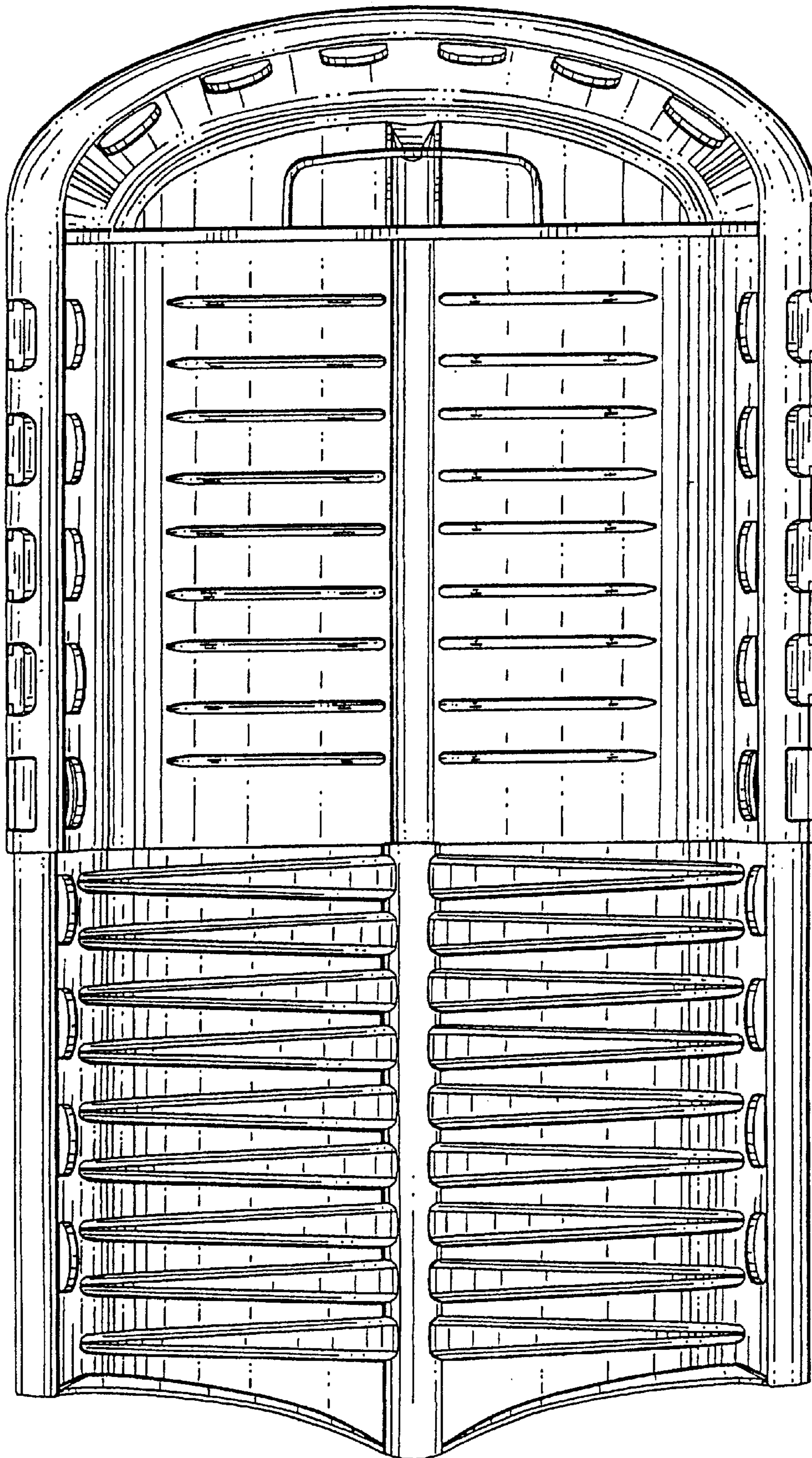


FIG.2

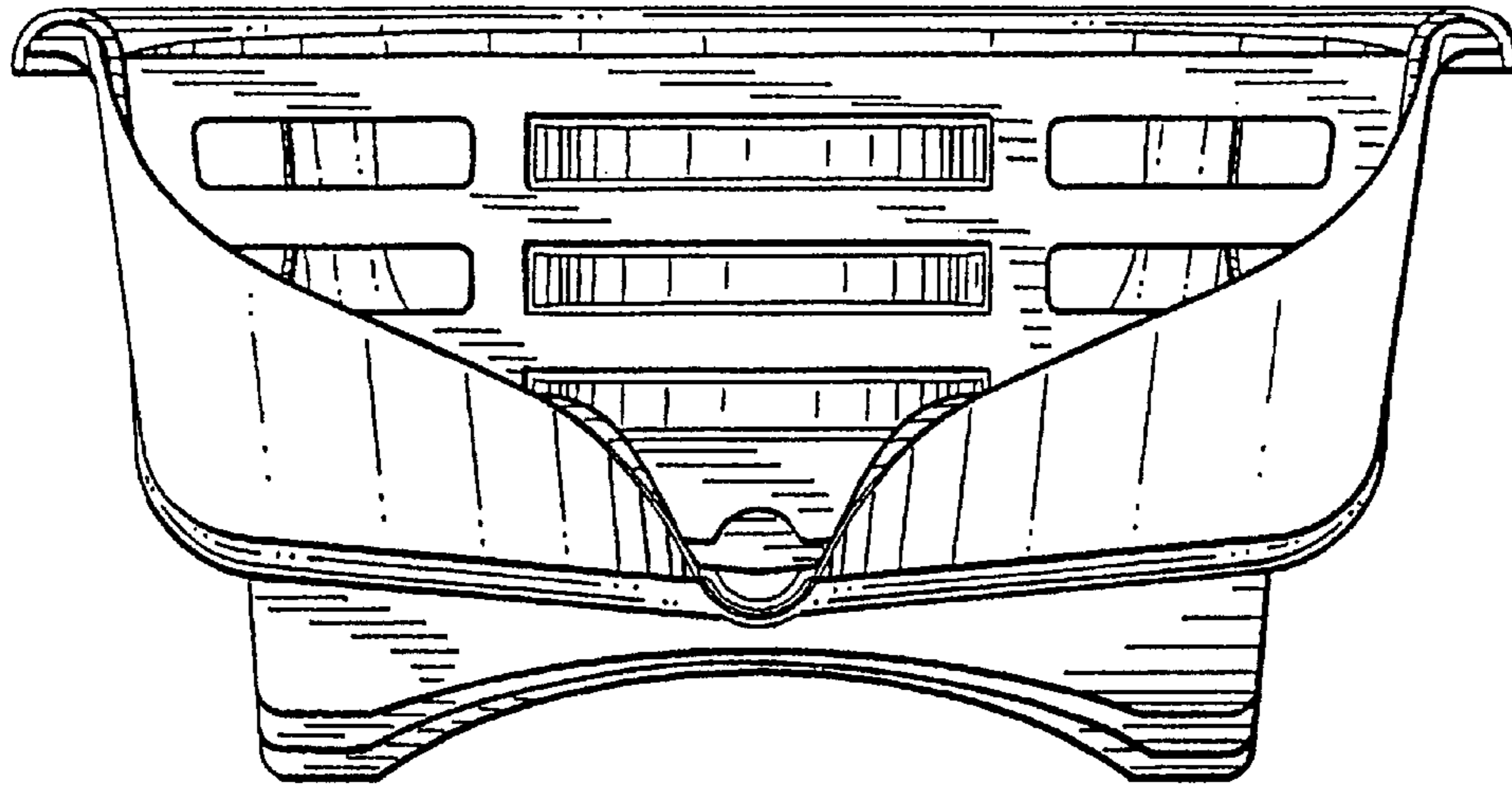


FIG.3

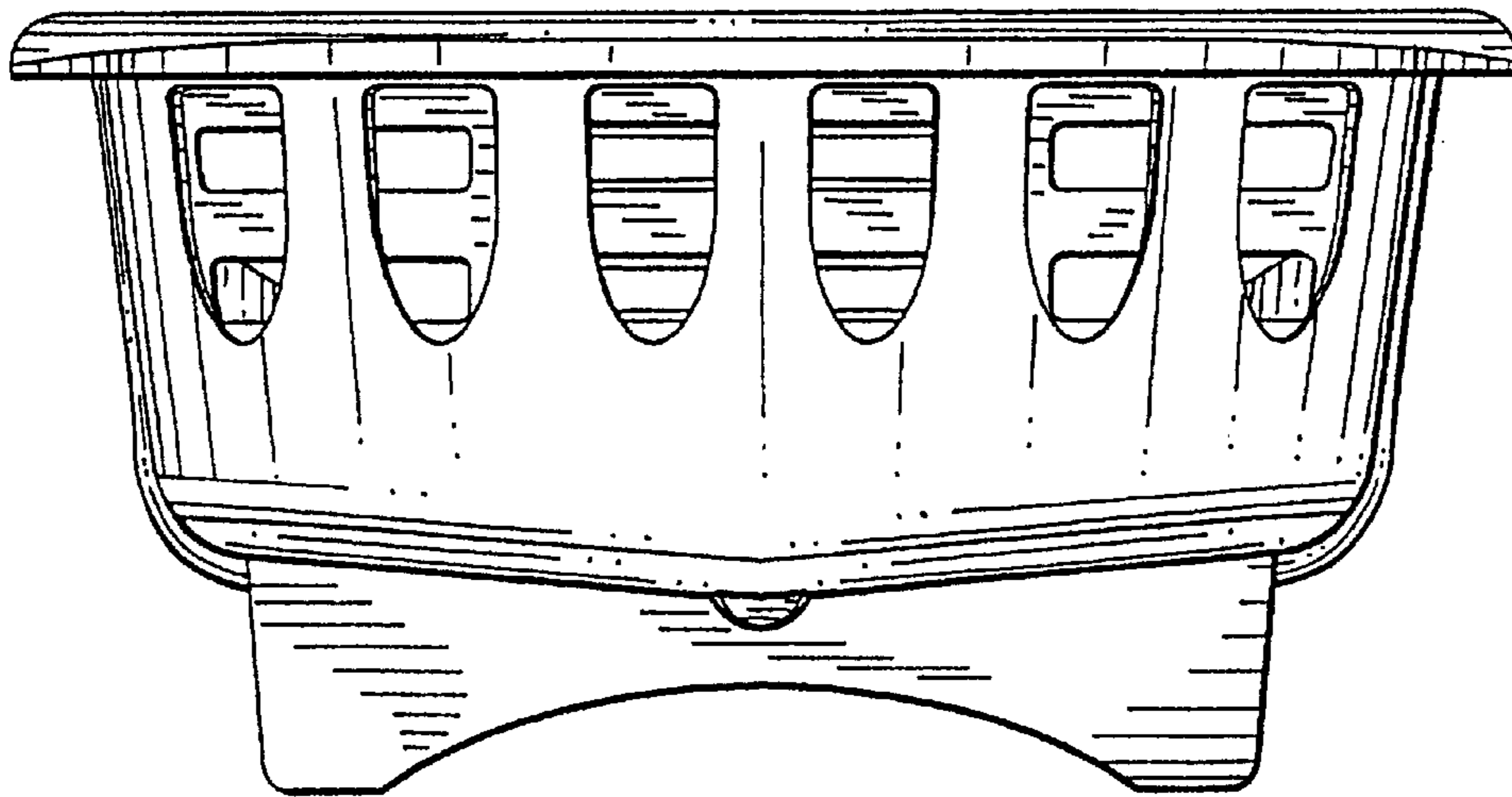


FIG.5

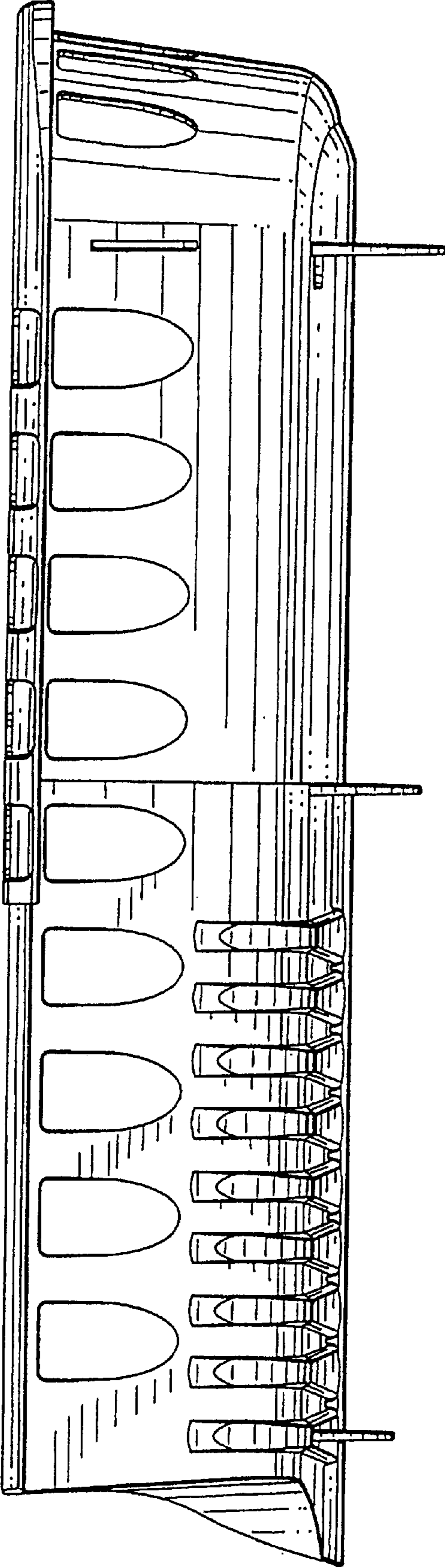


FIG.4

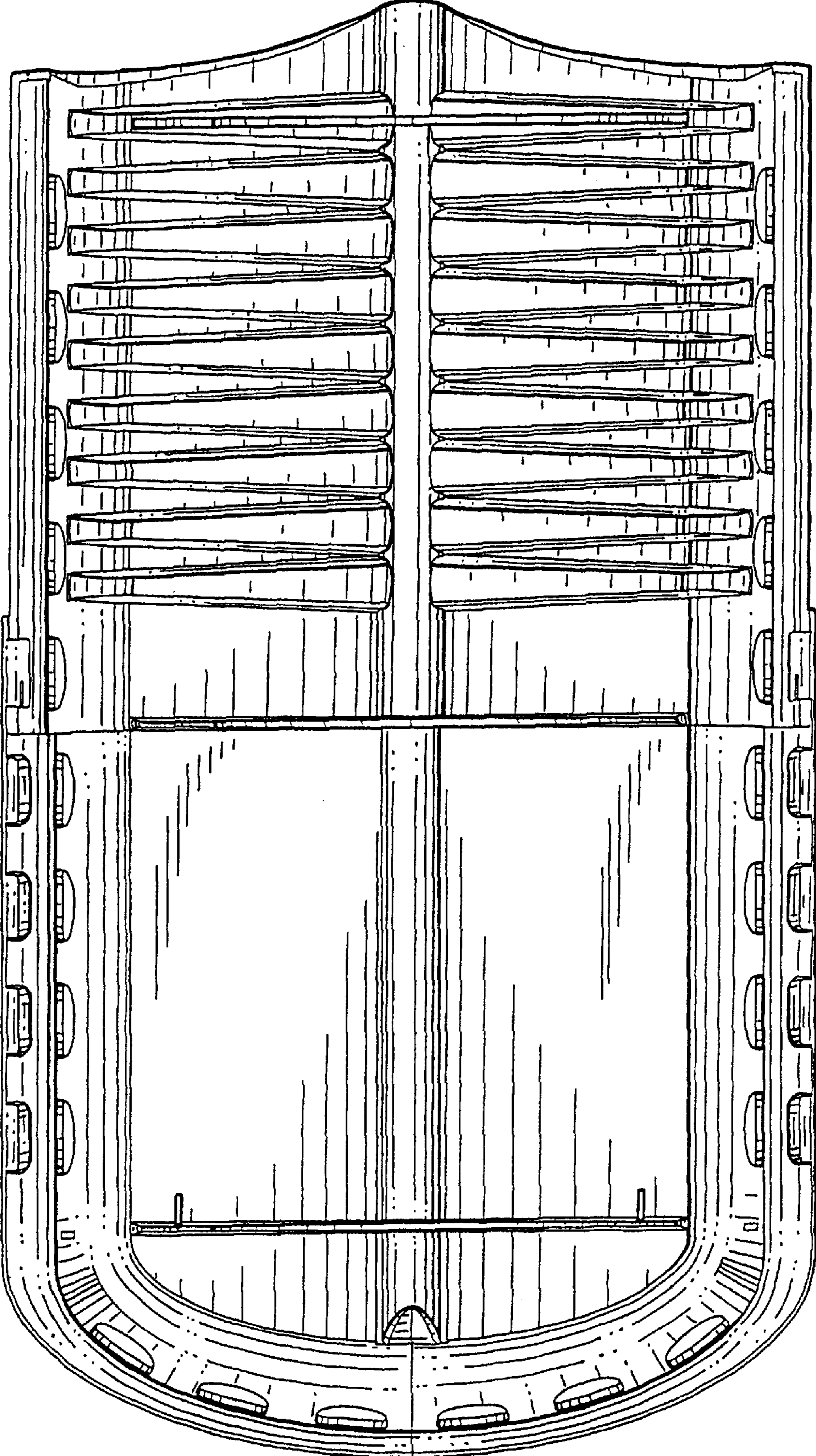


FIG.6

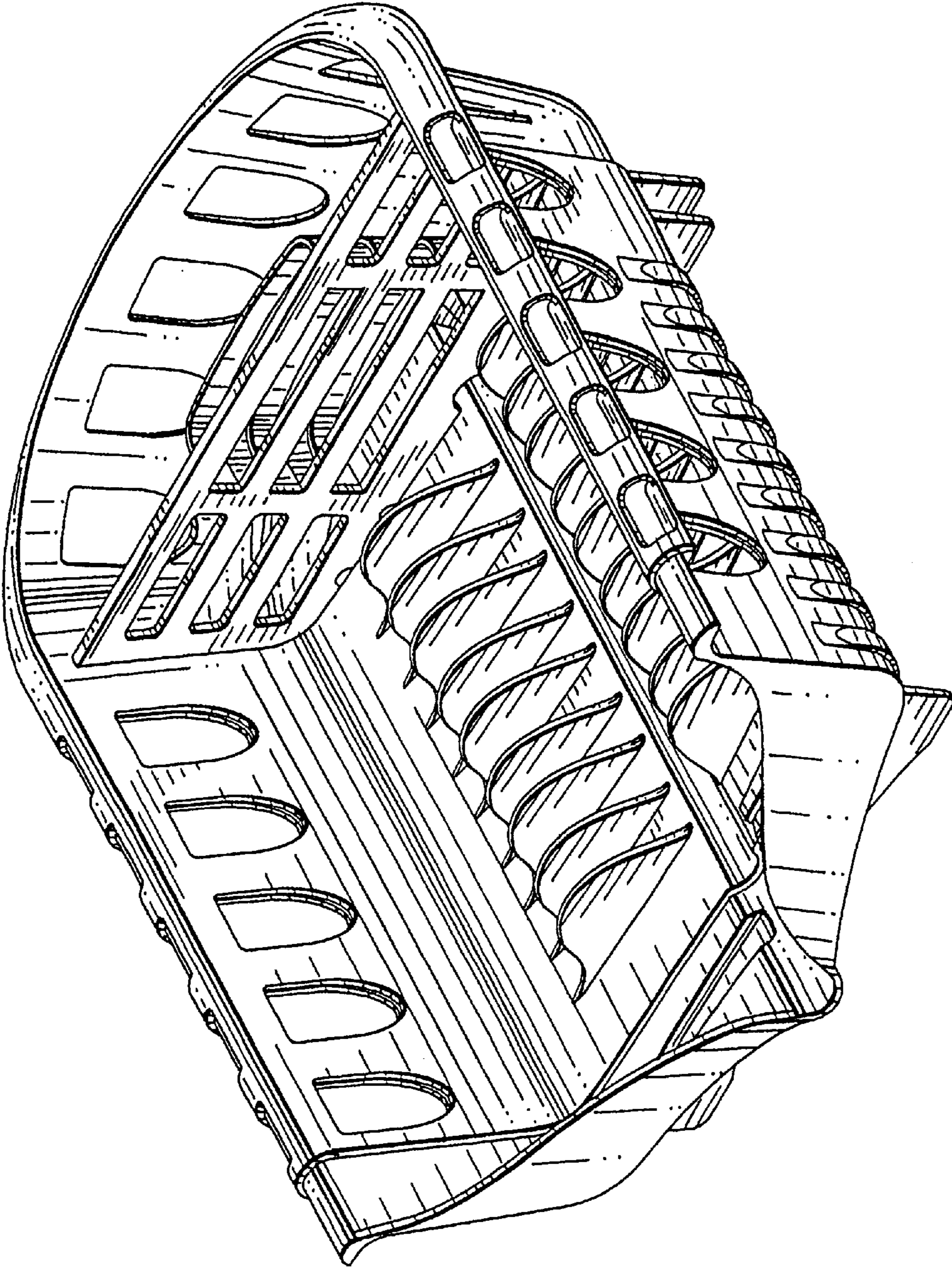


FIG. 7