



US00D534698S

(12) **United States Design Patent** (10) **Patent No.:** **US D534,698 S**  
**Ray** (45) **Date of Patent:** **\*\* Jan. 2, 2007**

- (54) **CONTAINER FOR A SPRAY LANCE**
- (75) Inventor: **R. Kevin Ray**, Gallatin, TN (US)
- (73) Assignee: **Campbell Hausfeld/Scott Fetzer Company**, Harrison, OH (US)
- (\*\*) Term: **14 Years**
- (21) Appl. No.: **29/256,810**
- (22) Filed: **Mar. 24, 2006**

**Related U.S. Application Data**

- (60) Division of application No. 29/202,071, filed on Mar. 25, 2004, now Pat. No. Des. 524,999, which is a continuation-in-part of application No. 10/749,415, filed on Dec. 31, 2003.
- (51) **LOC (8) Cl.** ..... **15-05**
- (52) **U.S. Cl.** ..... **D32/30**
- (58) **Field of Classification Search** ..... D32/1, D32/15, 16, 21, 25, 30; 239/532, 722, 146-149; D15/7, 9; 15/323; D23/225, 226; D8/1, 2  
See application file for complete search history.

(56) **References Cited**

**U.S. PATENT DOCUMENTS**

- 2,198,998 A 4/1940 Honsberger
- 2,531,650 A 11/1950 Stagner
- 2,719,704 A 10/1955 Anderson et al.
- 2,724,583 A 11/1955 Targosh et al.
- 2,789,010 A 4/1957 Dean
- 2,800,313 A 7/1957 Targosh et al.
- 2,953,160 A 9/1960 Brazier
- RE25,037 E 9/1961 Brazier
- 3,005,468 A 10/1961 Erwin et al.
- 3,042,314 A 7/1962 Packard et al.
- 3,135,431 A \* 6/1964 Matthewson et al. .... 222/183
- 3,186,643 A 6/1965 George et al.
- 3,226,039 A 12/1965 Tyler
- 3,282,227 A 11/1966 Nielsen
- 3,291,395 A 12/1966 Sharp
- 3,338,173 A 8/1967 Gunzel, Jr. et al.
- 3,349,788 A 10/1967 Chester
- 3,447,753 A 6/1969 Proctor et al.

- 3,491,948 A 1/1970 Alexander
- 3,613,997 A 10/1971 Thompson
- 3,770,205 A 11/1973 Proctor et al.
- 3,776,468 A 12/1973 Davenport
- 3,863,843 A 2/1975 Hechler, IV
- 3,964,689 A 6/1976 Horvath, Jr.
- 3,993,245 A \* 11/1976 Smith ..... 239/8
- RE29,405 E 9/1977 Gunzel, Jr. et al.
- 4,192,464 A \* 3/1980 Chow ..... 239/373
- 4,315,600 A 2/1982 Rhoades et al.
- 4,527,740 A 7/1985 Gunzel, Jr. et al.
- 4,726,526 A 2/1988 Ostergaard
- D297,273 S 8/1988 Proctor et al.
- 4,760,962 A 8/1988 Wheeler

(Continued)

**FOREIGN PATENT DOCUMENTS**

WO WO91/16138 10/1991

**OTHER PUBLICATIONS**

DeVilbiss Air Power Company Press Release for New Pressure Washer Accessories dated Apr. 14, 2000.

*Primary Examiner*—Louis S. Zarfaz  
*Assistant Examiner*—Kathleen Sims  
(74) *Attorney, Agent, or Firm*—Jones Day

(57) **CLAIM**

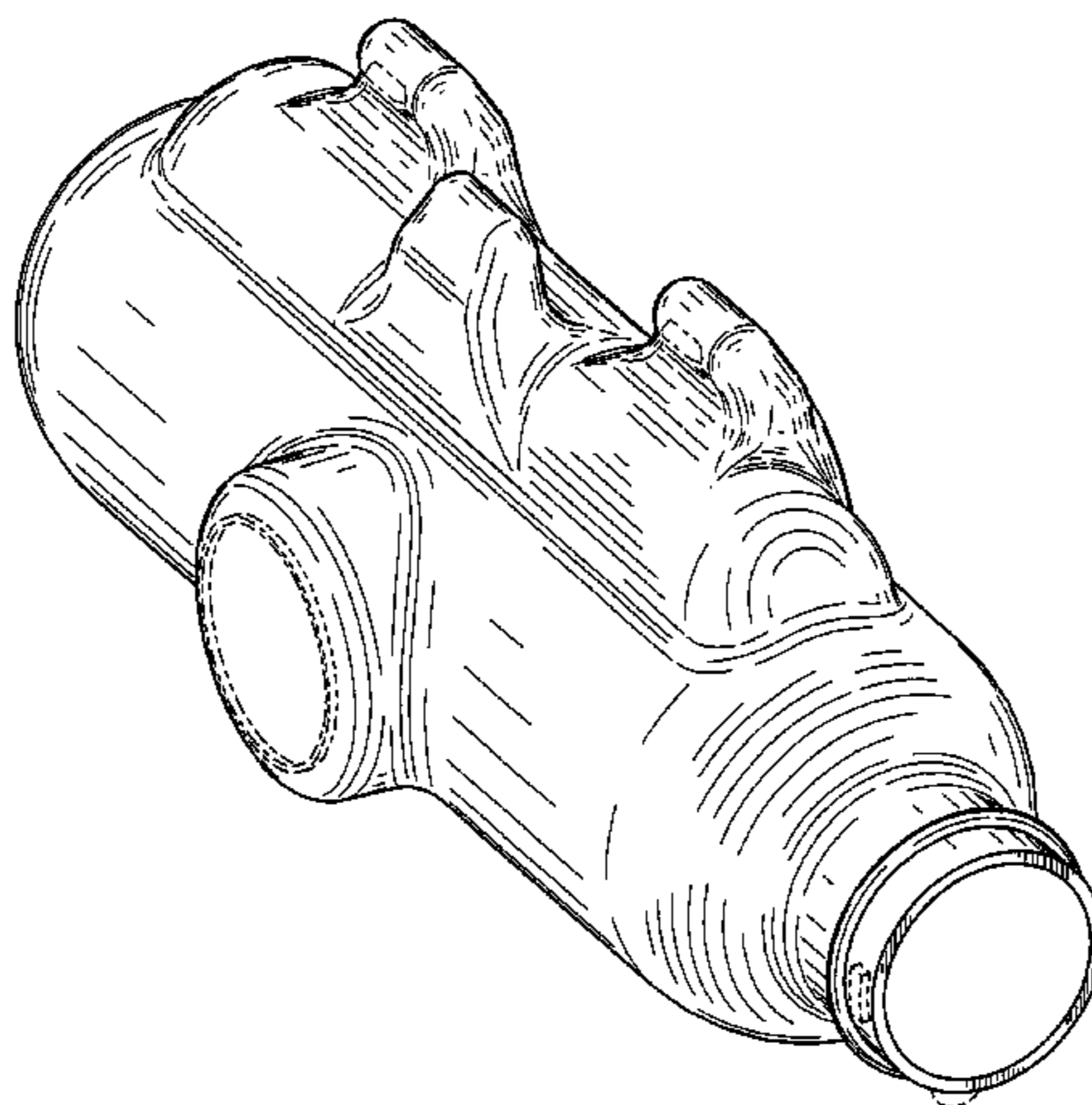
The ornamental design for a container for a spray lance, as shown and described.

**DESCRIPTION**

FIG. 1 is a perspective view of the container of my new design;  
FIG. 2 is a left side view thereof;  
FIG. 3 is a right side view thereof;  
FIG. 4 is a top view thereof;  
FIG. 5 is a bottom view thereof;  
FIG. 6 is a front view thereof; and,  
FIG. 7 is a rear view thereof.

The broken line showings of FIGS. 1-7 are for illustrative purposes only and form no part of the claimed design.

**1 Claim, 4 Drawing Sheets**

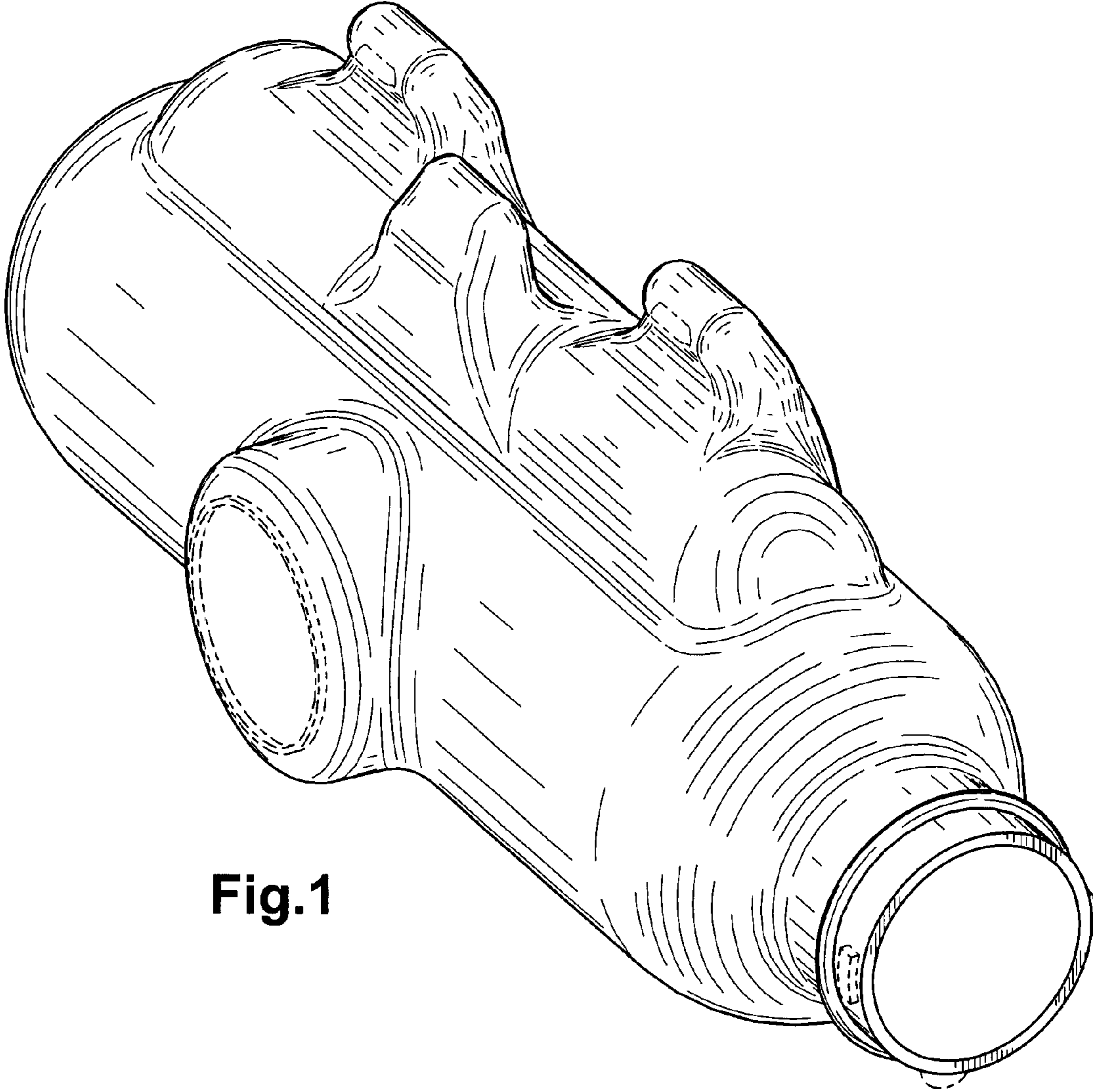


# US D534,698 S

Page 2

U.S. PATENT DOCUMENTS			
4,787,560	A	* 11/1988	DeYoreo ..... 239/373
D303,139	S	8/1989	Morgan
4,886,212	A	12/1989	Proctor et al.
4,901,923	A	2/1990	McRoskey et al.
4,913,345	A	4/1990	Setter
D312,297	S	11/1990	Ballu
5,209,365	A	5/1993	Wood
5,259,557	A	11/1993	Spriggs et al.
5,301,877	A	* 4/1994	Madison ..... 239/154
D347,047	S	5/1994	Wood
D347,261	S	5/1994	Berfield et al.
5,344,074	A	9/1994	Spriggs et al.
5,356,036	A	10/1994	Garnett
D366,926	S	2/1996	McGinnity et al.
5,518,022	A	5/1996	Ziehm
5,544,810	A	8/1996	Horvath, Jr. et al.
5,626,291	A	5/1997	Flinn et al.
5,676,173	A	10/1997	Conrad et al.
5,695,121	A	12/1997	Stillions et al.
5,775,591	A	* 7/1998	Fauci ..... 239/304
5,913,327	A	6/1999	Zhadanov et al.
5,915,592	A	6/1999	Mehus et al.
5,934,328	A	8/1999	Conrad et al.
5,960,887	A	10/1999	Crabtree
D421,204	S	* 2/2000	McBride ..... D8/2
6,092,998	A	7/2000	Dexter et al.
6,135,361	A	* 10/2000	Grassi ..... 239/172
6,164,496	A	12/2000	Gregory
6,182,911	B1	2/2001	Hanks et al.
6,308,899	B1	10/2001	Crofford
D467,692	S	12/2002	Morgan et al.
6,508,386	B1	1/2003	Magri
6,543,705	B1	4/2003	Liao
6,571,824	B1	6/2003	Jones et al.
6,572,032	B1	6/2003	Chih
6,588,681	B1	7/2003	Rothrum et al.
6,612,476	B1	9/2003	Smolinski
6,634,376	B1	10/2003	Haas
6,892,957	B1	5/2005	Bennett et al.
2004/0124287	A1	7/2004	Pianetto et al.

\* cited by examiner



**Fig.1**

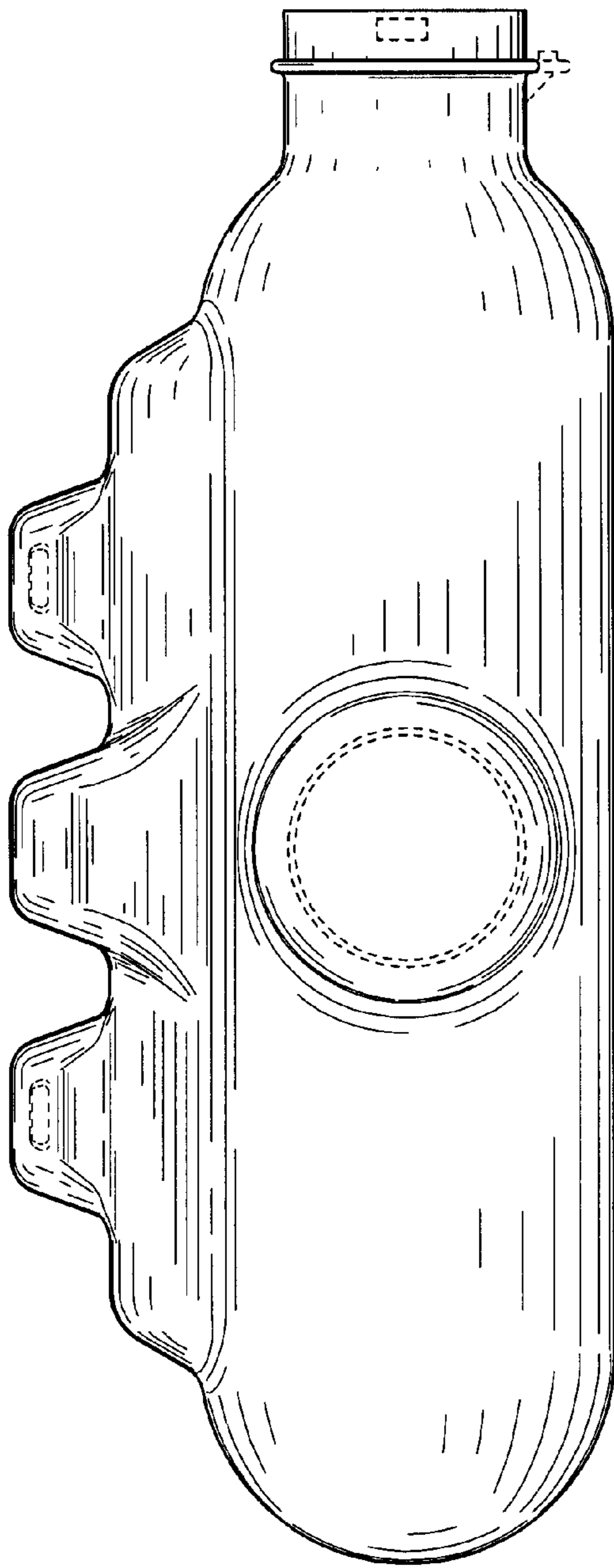


Fig. 2

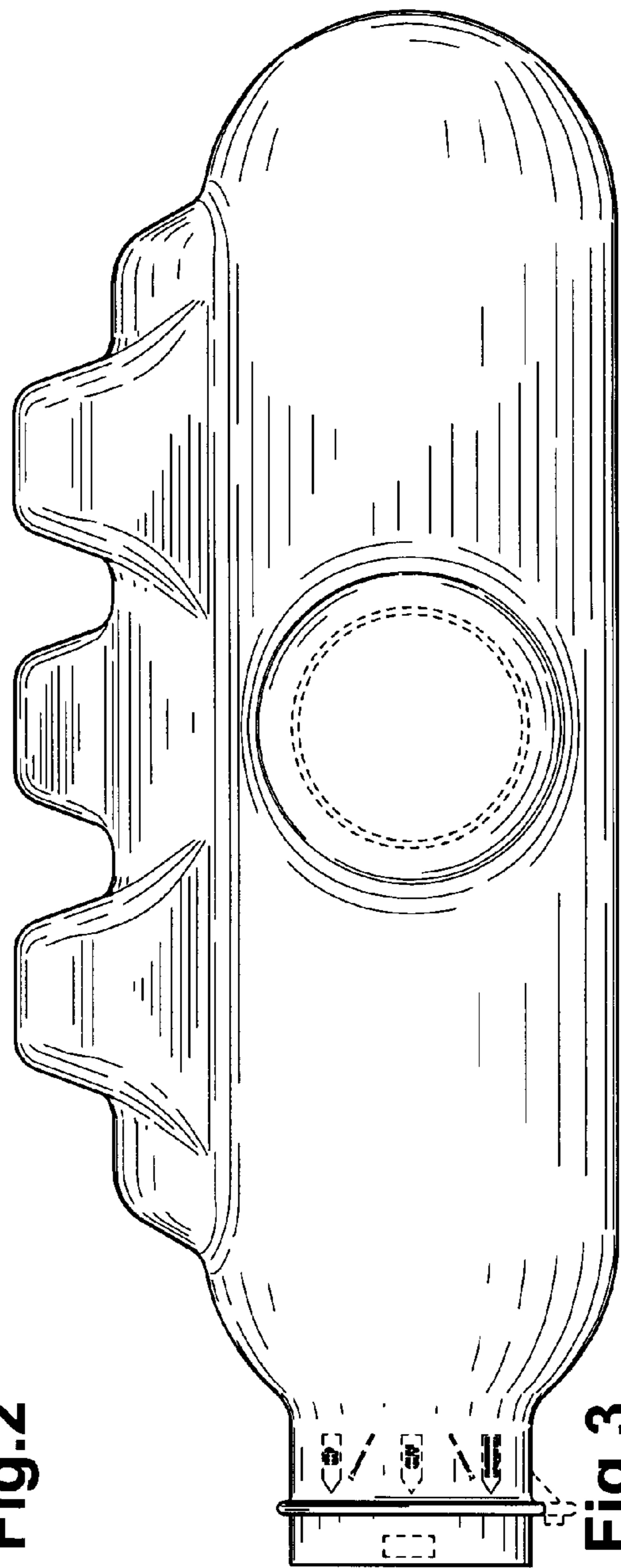


Fig. 3

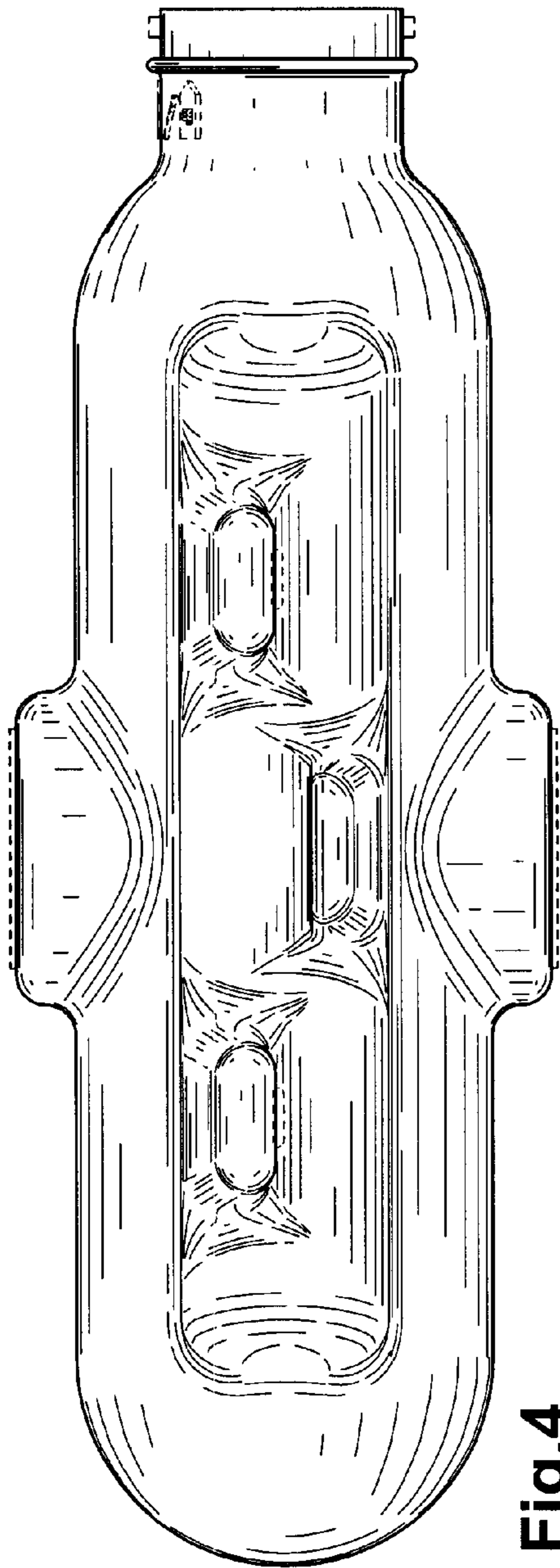


Fig.4

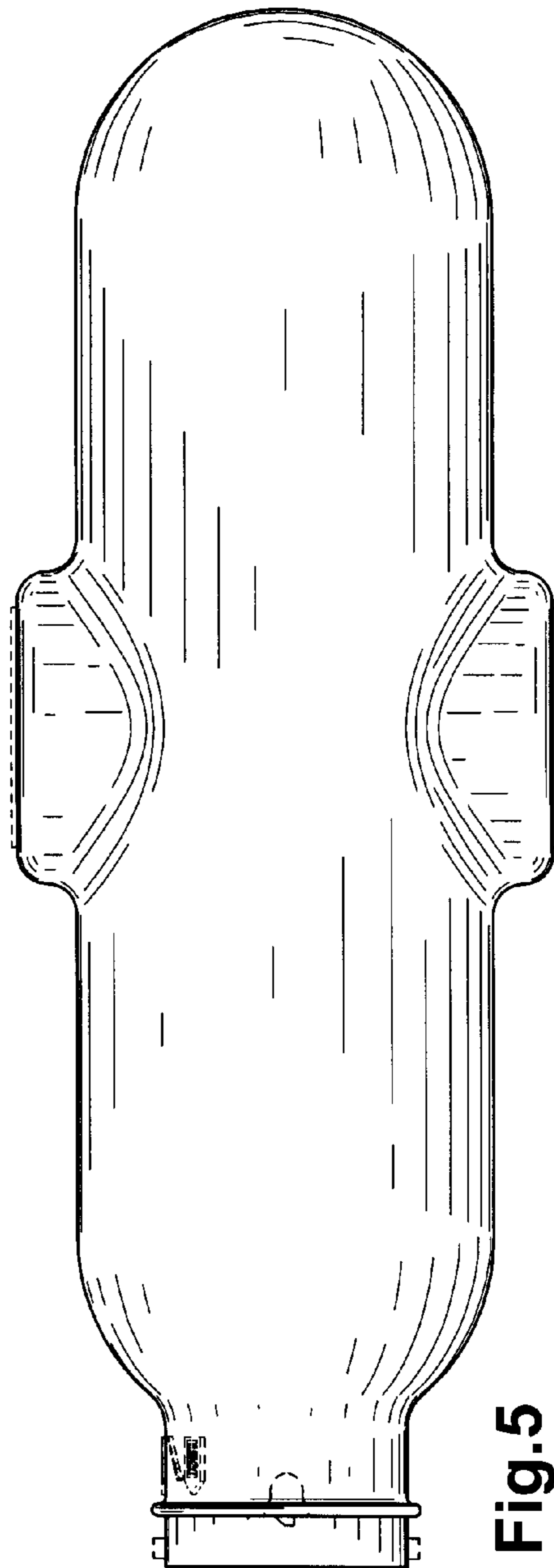
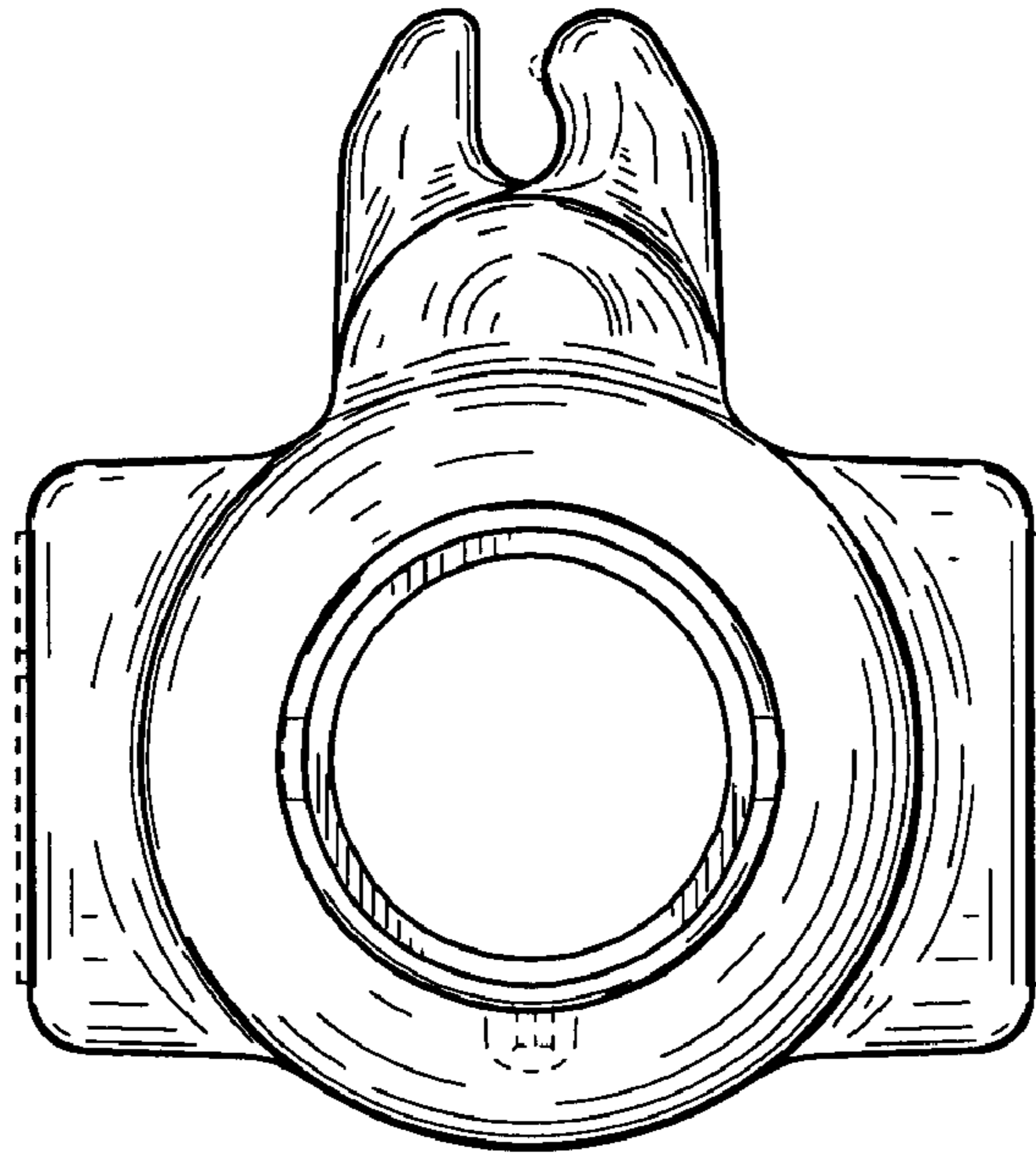
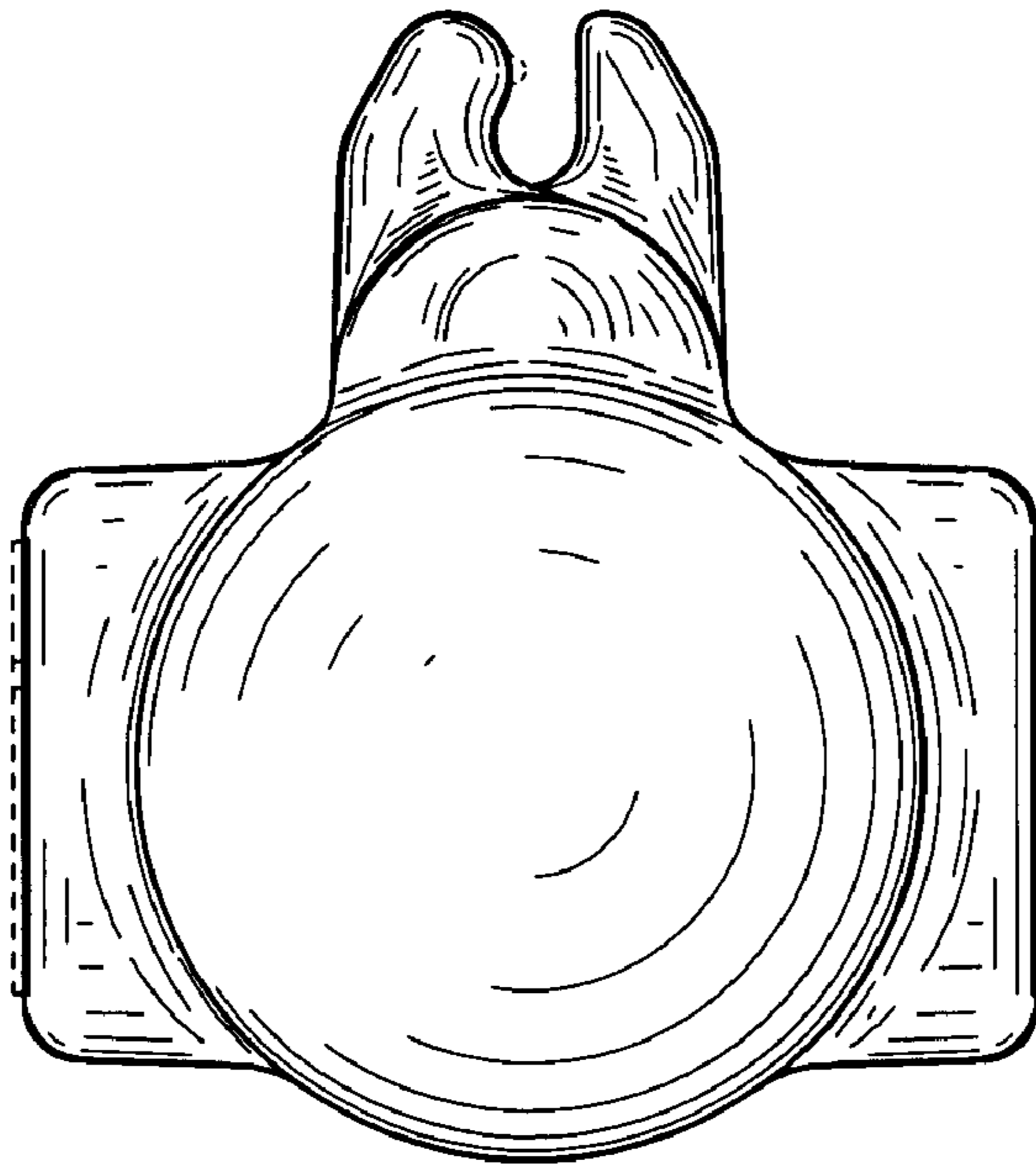


Fig.5



**Fig.6**



**Fig.7**