



US00D534697S

(12) **United States Design Patent**  
**Reick-Mitrisin et al.**

(10) **Patent No.: US D534,697 S**  
(45) **Date of Patent: \*\* Jan. 2, 2007**

(54) **VACUUM SYSTEM**  
(75) Inventors: **Christian Reick-Mitrisin**, Liberty Township, OH (US); **Robert K. Hasty**, Union, KY (US); **Tom Remm**, Milford, OH (US); **Gordon Thomas**, Mason, OH (US)

(73) Assignee: **Broan-NuTone LLC**, Hartford, WI (US)

(\*\*) Term: **14 Years**

(21) Appl. No.: **29/221,057**

(22) Filed: **Jan. 10, 2005**

(51) **LOC (8) Cl. .... 15-05**

(52) **U.S. Cl. .... D32/21**

(58) **Field of Classification Search** ..... D32/21, D32/22-23, 31, 34; 15/320-321, 327.1, 327.2, 15/323, 329, 334-335, 347, 350, 351, 353, 15/361, 410-411, DIG. 10; 55/346, DIG. 3, 55/459.1, 337, 429; 95/271

See application file for complete search history.

(56) **References Cited**

**U.S. PATENT DOCUMENTS**

2,253,310 A	8/1941	Smellie	
2,884,185 A	4/1959	Dolan	
D205,759 S	* 9/1966	La Mers et al.	..... D32/21
3,358,316 A	12/1967	Okun	
3,570,809 A	3/1971	Stuy	
3,882,961 A	5/1975	Cannan et al.	
4,015,683 A	4/1977	Williams	
4,114,231 A	9/1978	Nauta	
4,231,133 A	11/1980	Probst	
4,241,720 A	12/1980	Kitchen	
4,280,245 A	7/1981	Hiester	
4,330,899 A	5/1982	Miller et al.	
4,356,591 A	11/1982	Lude	
4,361,928 A	12/1982	Schulz	
4,435,877 A	3/1984	Berfield	
4,651,380 A	3/1987	Ogden	
4,662,910 A	5/1987	Lieb	
4,665,581 A	5/1987	Oberdorfer	

4,718,924 A	1/1988	DeMarco	
D294,187 S	* 2/1988	Bertuzzo	..... D32/21
4,759,422 A	7/1988	Belley	
4,786,299 A	11/1988	DeMarco	
4,938,309 A	7/1990	Emdy	
5,035,586 A	7/1991	Sadler et al.	
5,267,371 A	* 12/1993	Soler et al.	..... 15/327.5
D349,369 S	8/1994	Adams	
5,353,469 A	10/1994	Fellhauer	
5,400,463 A	3/1995	Attard et al.	
5,471,707 A	12/1995	Kang	
5,720,074 A	2/1998	Lee	
5,737,797 A	4/1998	Rittmueller et al.	
5,774,930 A	7/1998	Sommer et al.	

(Continued)

**FOREIGN PATENT DOCUMENTS**

CA	1285886	7/1991
DE	19739613	3/1998
GB	2312159	10/1997
WO	WO 9939621	8/1999

**OTHER PUBLICATIONS**

Website advertisement entitled "Central Vacuum Stores", visited Mar. 22, 2004, (2 pgs).

*Primary Examiner*—Ruth McInroy  
(74) *Attorney, Agent, or Firm*—Michael Best & Friedrich LLP

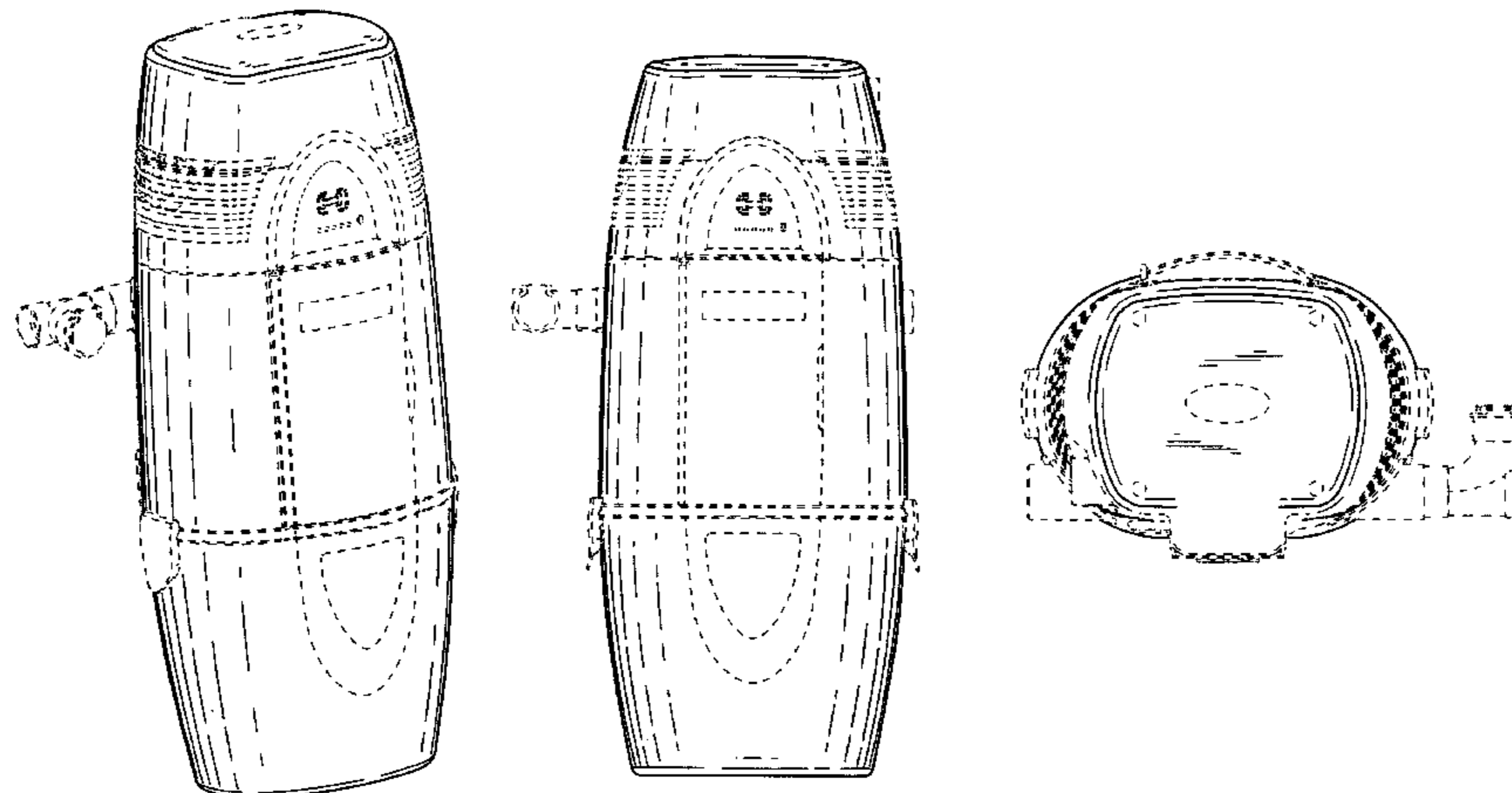
(57) **CLAIM**

The ornamental design for a vacuum system, as shown and described.

**DESCRIPTION**

FIG. 1 is a perspective view of a vacuum system showing our new design;  
FIG. 2 is a front view thereof;  
FIG. 3 is a rear view thereof;  
FIG. 4 is a side view thereof;  
FIG. 5 is a side view of the opposite side of FIG. 4;  
FIG. 6 is a top view thereof; and,  
FIG. 7 is a bottom view thereof.

**1 Claim, 5 Drawing Sheets**



# US D534,697 S

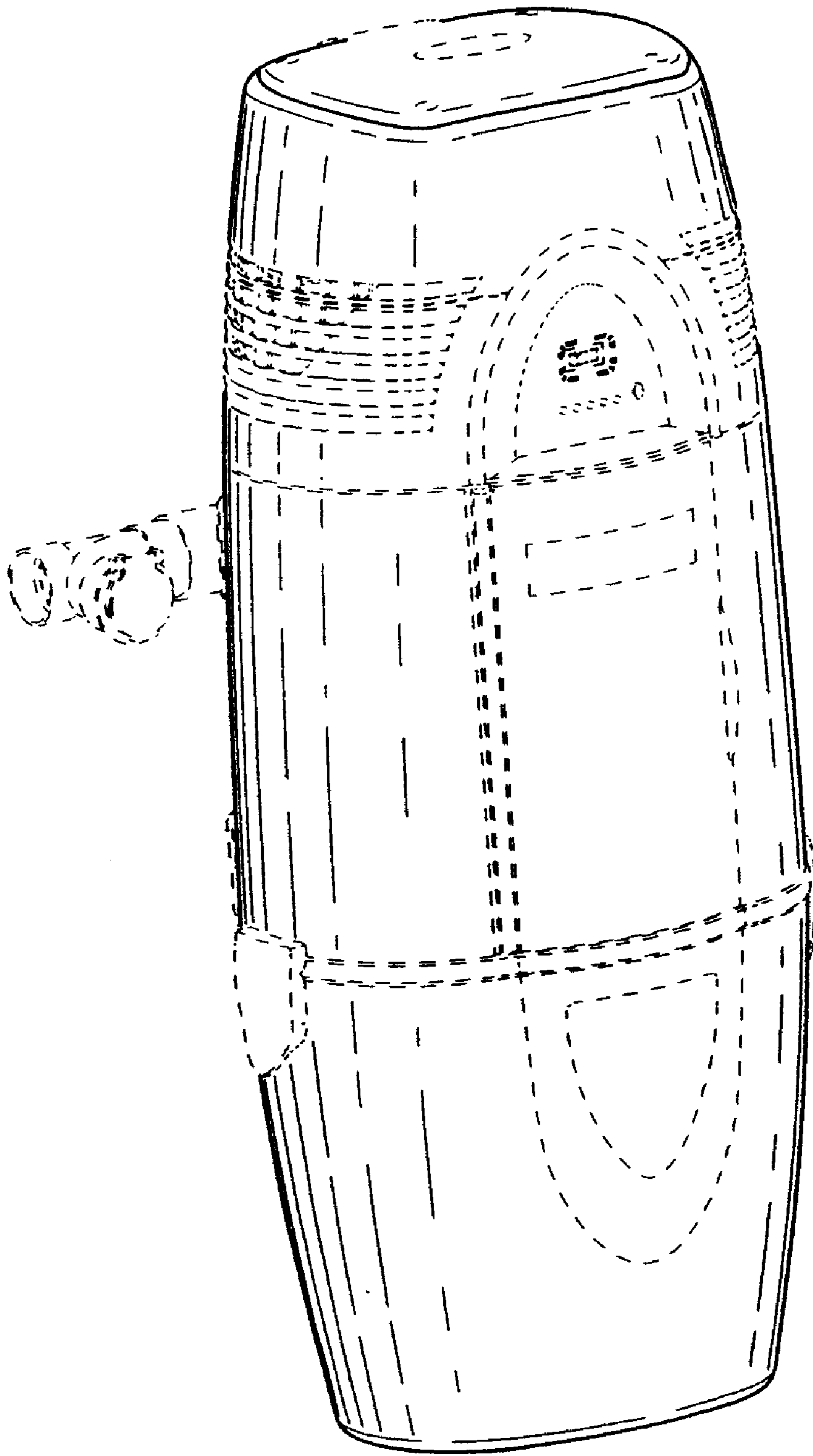
Page 2

---

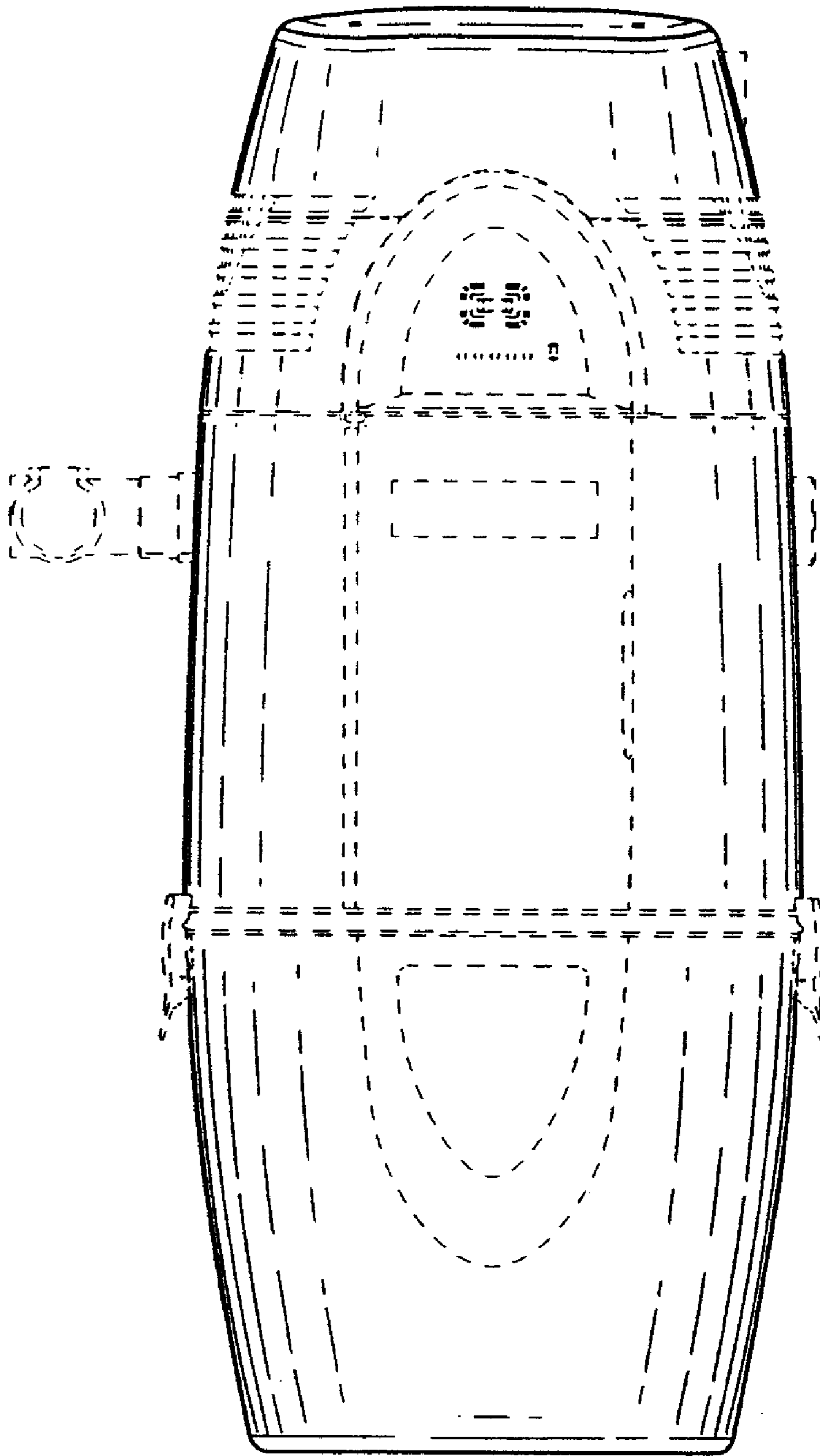
## U.S. PATENT DOCUMENTS

D398,426 S *	9/1998	Bisson .....	D32/21	D446,365 S *	8/2001	Bisson .....	D32/21
5,813,085 A	9/1998	Fritz et al.		6,363,574 B1	4/2002	Worden et al.	
5,926,908 A	7/1999	Lindsay, Jr.		D459,039 S *	6/2002	Bisson .....	D32/21
6,014,791 A	1/2000	Nosenchuck		D506,298 S *	6/2005	Schmitt .....	D32/21
6,052,863 A	4/2000	Rittmueller et al.		D518,927 S *	4/2006	Rupp et al. ....	D32/21
6,077,032 A	6/2000	Wolfe, Jr. et al.		2002/0178531 A1	12/2002	Plomteux et al.	
6,094,774 A	8/2000	Larsen et al.		2003/0132634 A1	7/2003	Biere et al.	

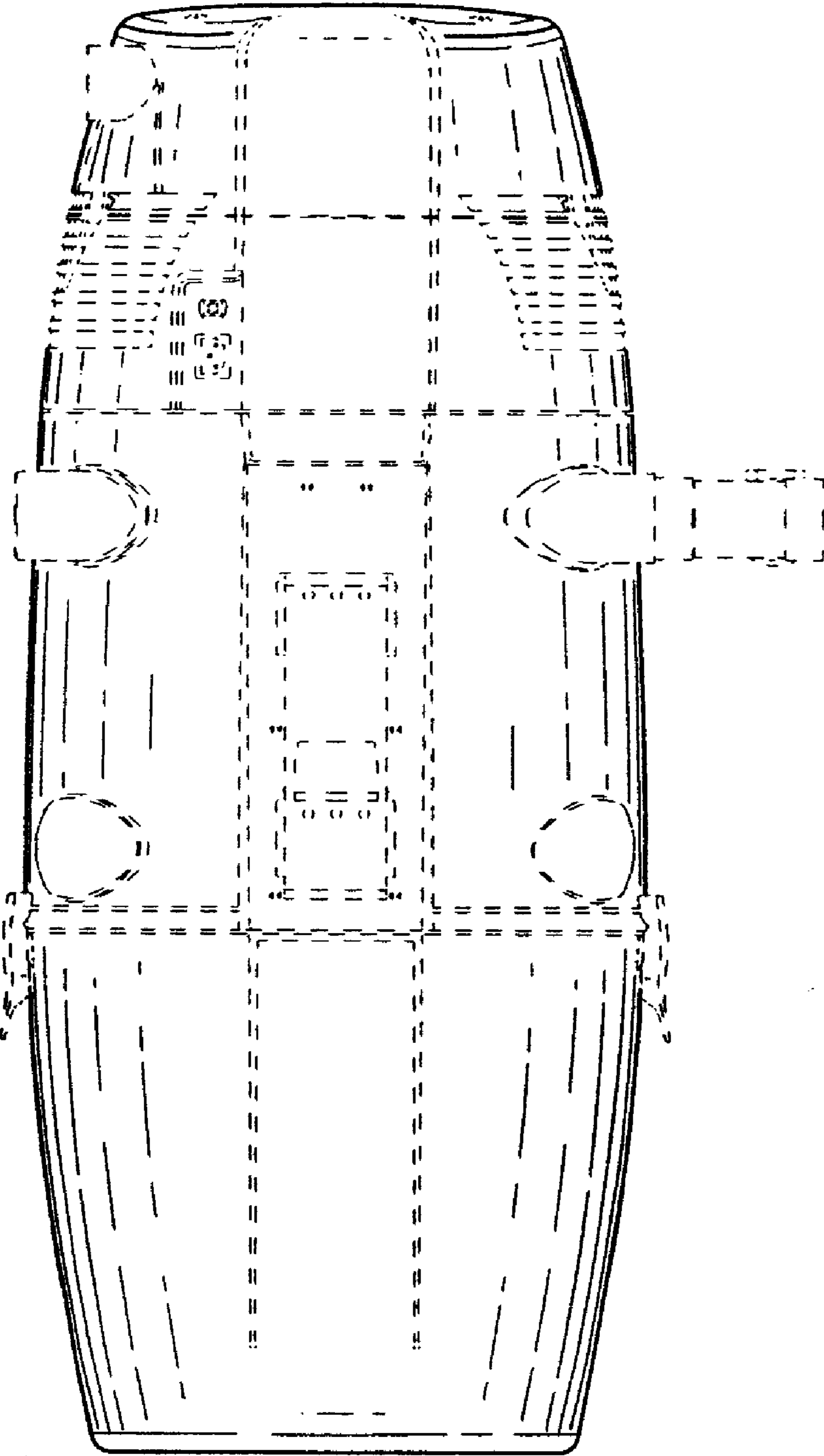
\* cited by examiner



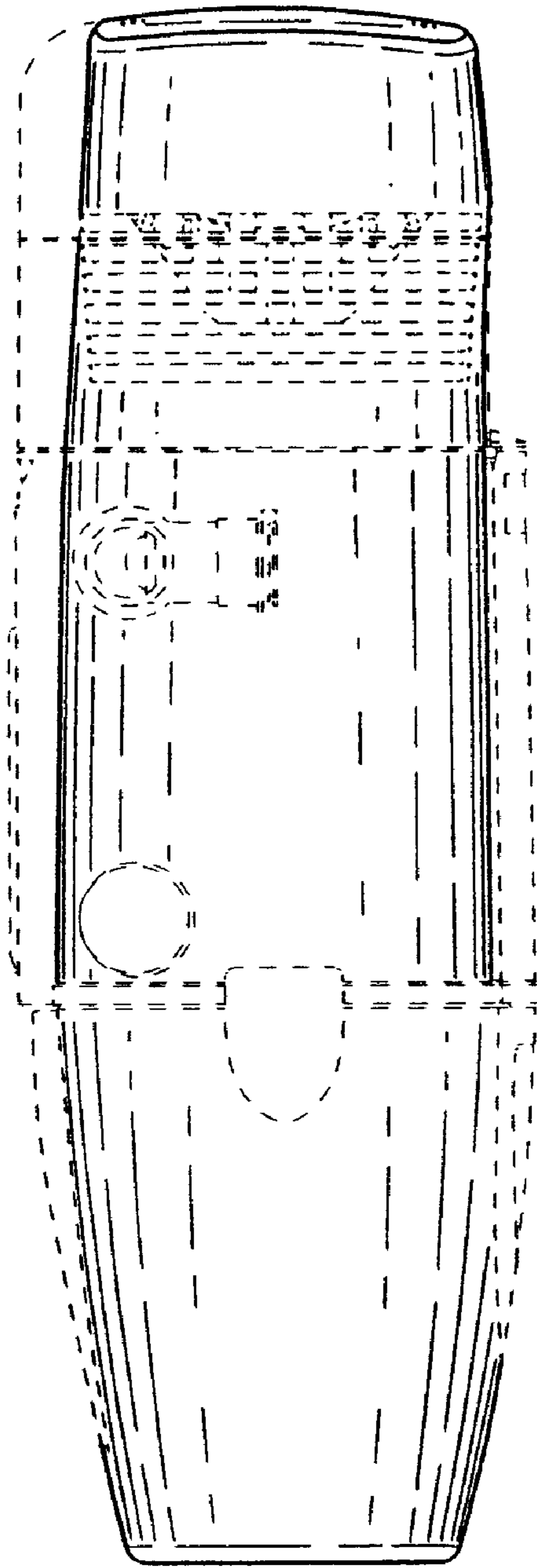
**FIG. 1**



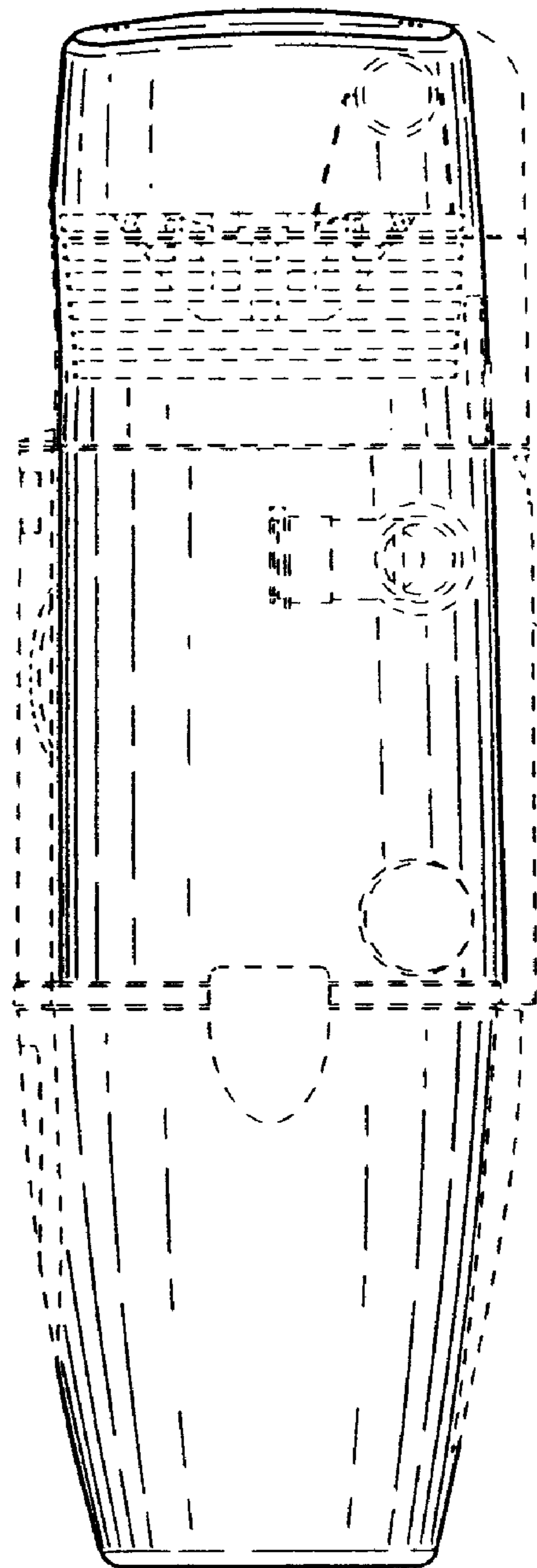
**FIG. 2**



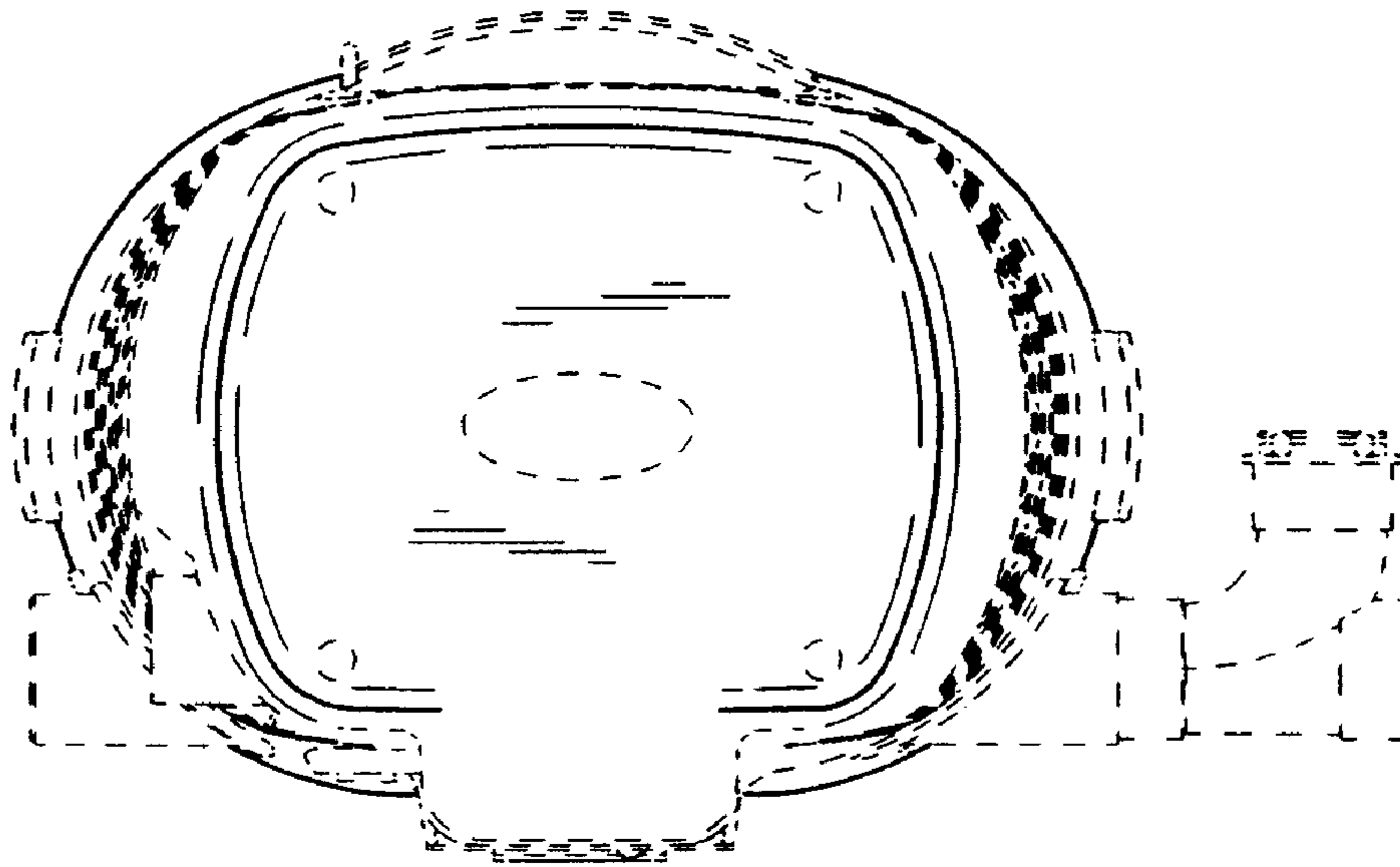
**FIG. 3**



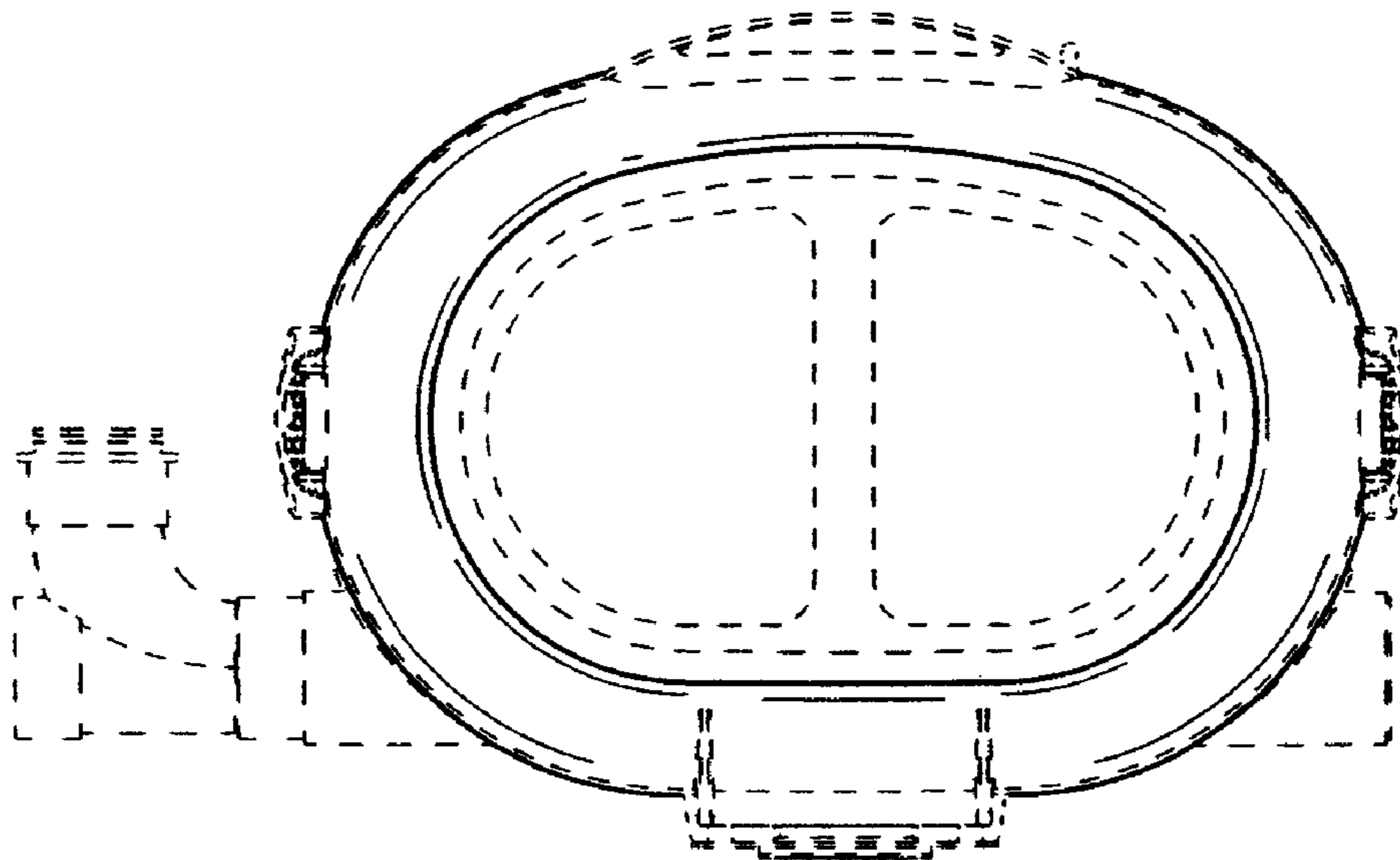
**FIG. 4**



**FIG. 5**



**FIG. 6**



**FIG. 7**