



US00D534696S

(12) **United States Design Patent**
Choi

(10) **Patent No.:** **US D534,696 S**
(45) **Date of Patent:** **** Jan. 2, 2007**

(54) **CLEANER**

(75) Inventor: **Hyoung Sub Choi**, Seoul (KR)

(73) Assignee: **Samsung Electronics Co., Ltd.** (KR)

(**) Term: **14 Years**

(21) Appl. No.: **29/229,086**

(22) Filed: **May 3, 2005**

(30) **Foreign Application Priority Data**

Mar. 17, 2005 (KR) 30-2005-0008684

(51) **LOC (8) Cl.** **15-05**

(52) **U.S. Cl.** **D32/1**

(58) **Field of Classification Search** 15/329,
15/327.1-327.4, 327.6, 321, 344, 320, 323,
15/353, 347, 352; D32/21, 23, 18, 24, 31,
D32/25, 33, 15, 17

See application file for complete search history.

(56) **References Cited**

U.S. PATENT DOCUMENTS

D325,273 S	*	4/1992	Ikeda et al.	D32/21
D399,617 S	*	10/1998	Fujita	D32/21
D417,046 S	*	11/1999	Tsuruha et al.	D32/21
D430,366 S	*	8/2000	Sato et al.	D32/21
D459,040 S	*	6/2002	Oh	D32/21

D461,606 S	*	8/2002	Kim	D32/21
D505,526 S	*	5/2005	Tsen	D32/21
2002/0069476 A1	*	6/2002	Yung	15/352

* cited by examiner

Primary Examiner—Louis S. Zarfes

Assistant Examiner—Kathleen Sims

(74) *Attorney, Agent, or Firm*—Irving Keschner

(57) **CLAIM**

The ornamental design for cleaner, as shown.

DESCRIPTION

FIG. 1 is a front perspective view of the ornamental design of the present invention;

FIG. 2 is a front elevational view of the ornamental design of the present invention;

FIG. 3 is a rear elevational view of the ornamental design of the present invention;

FIG. 4 is a left side elevational view of the ornamental design of the present invention;

FIG. 5 is a right side elevational view of the ornamental design of the present invention;

FIG. 6 is a top plan view of the ornamental design of the present invention; and,

FIG. 7 is a bottom view of the ornamental design of the present invention.

1 Claim, 3 Drawing Sheets

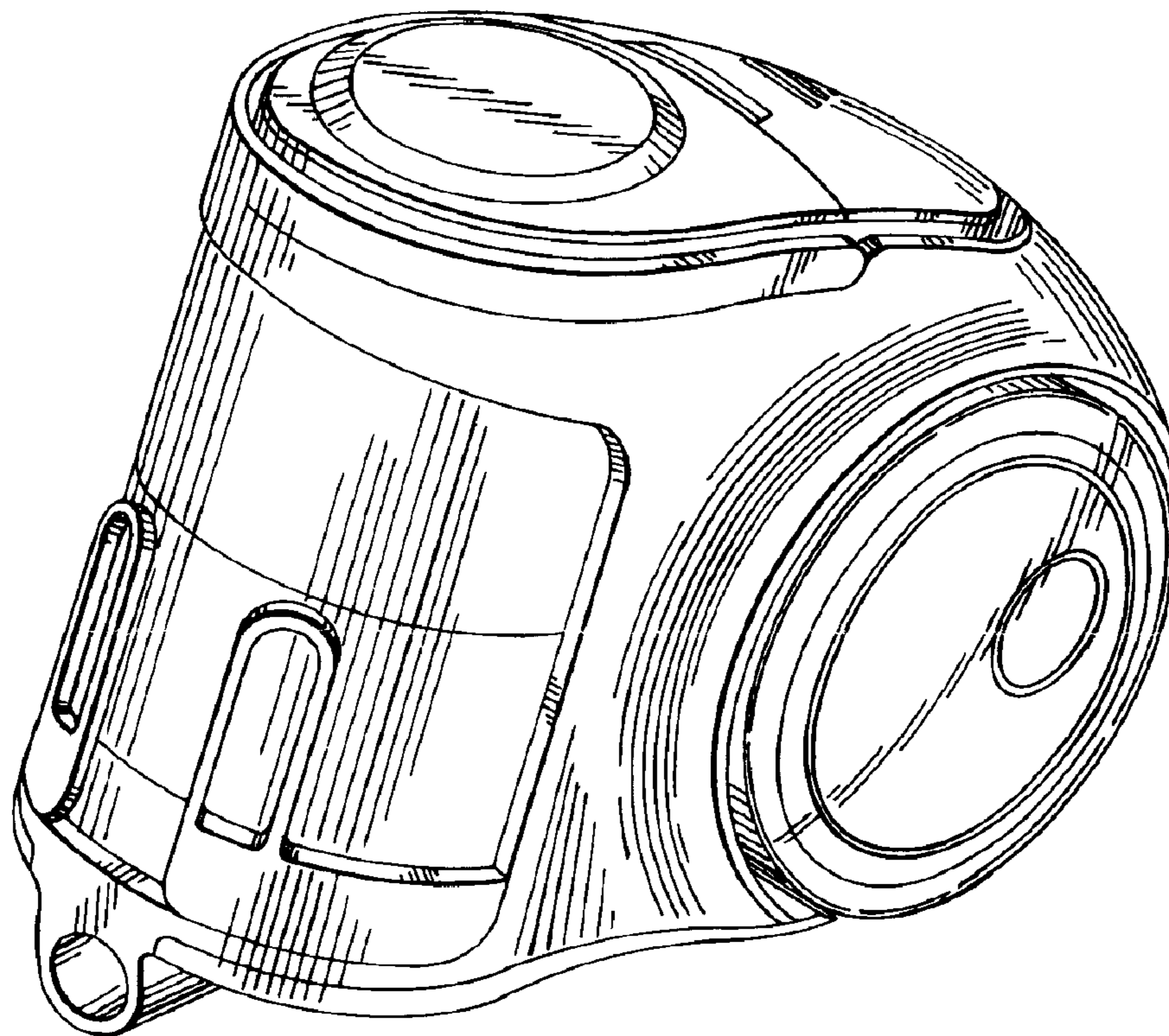


FIG. 1

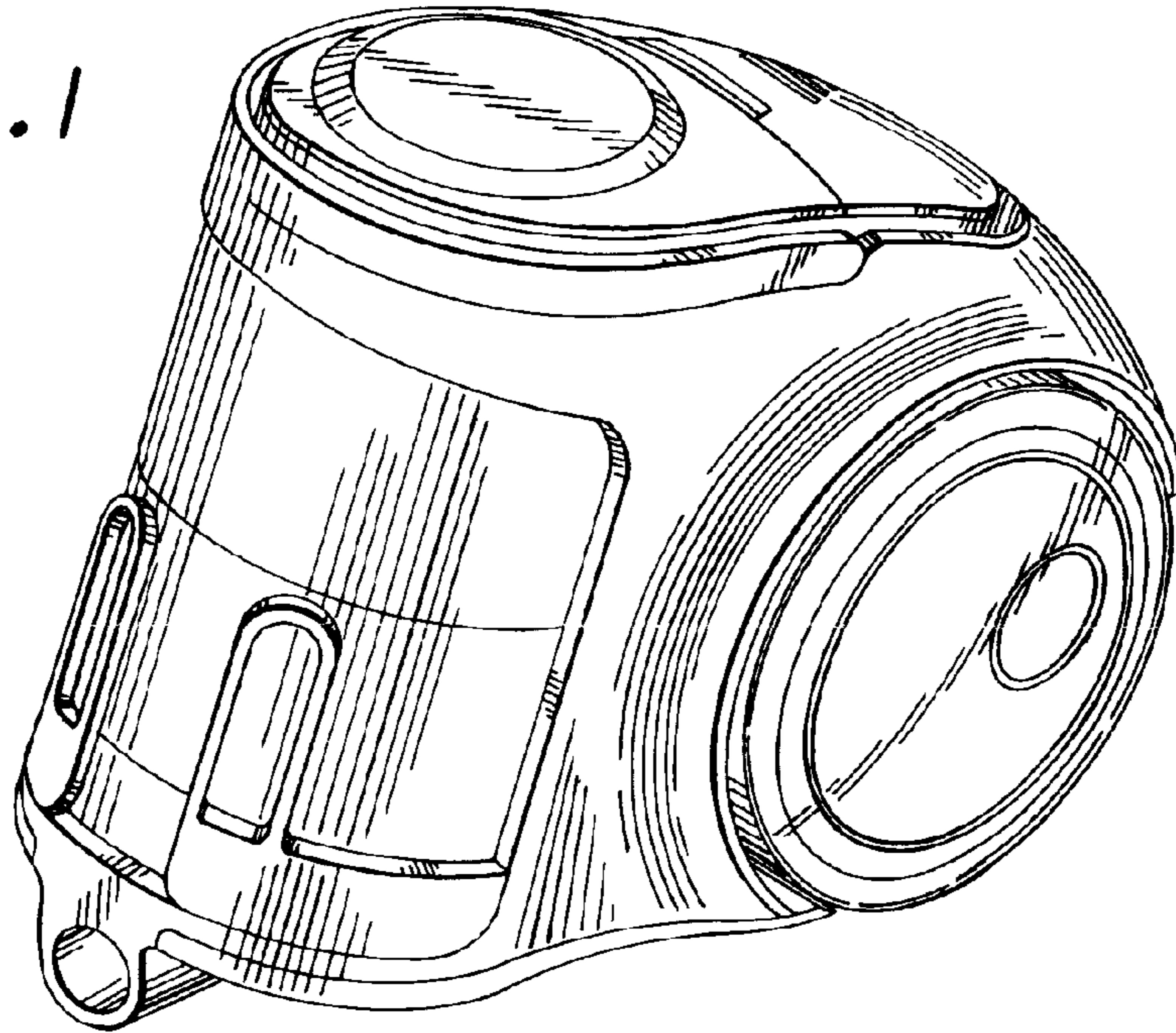


FIG. 2

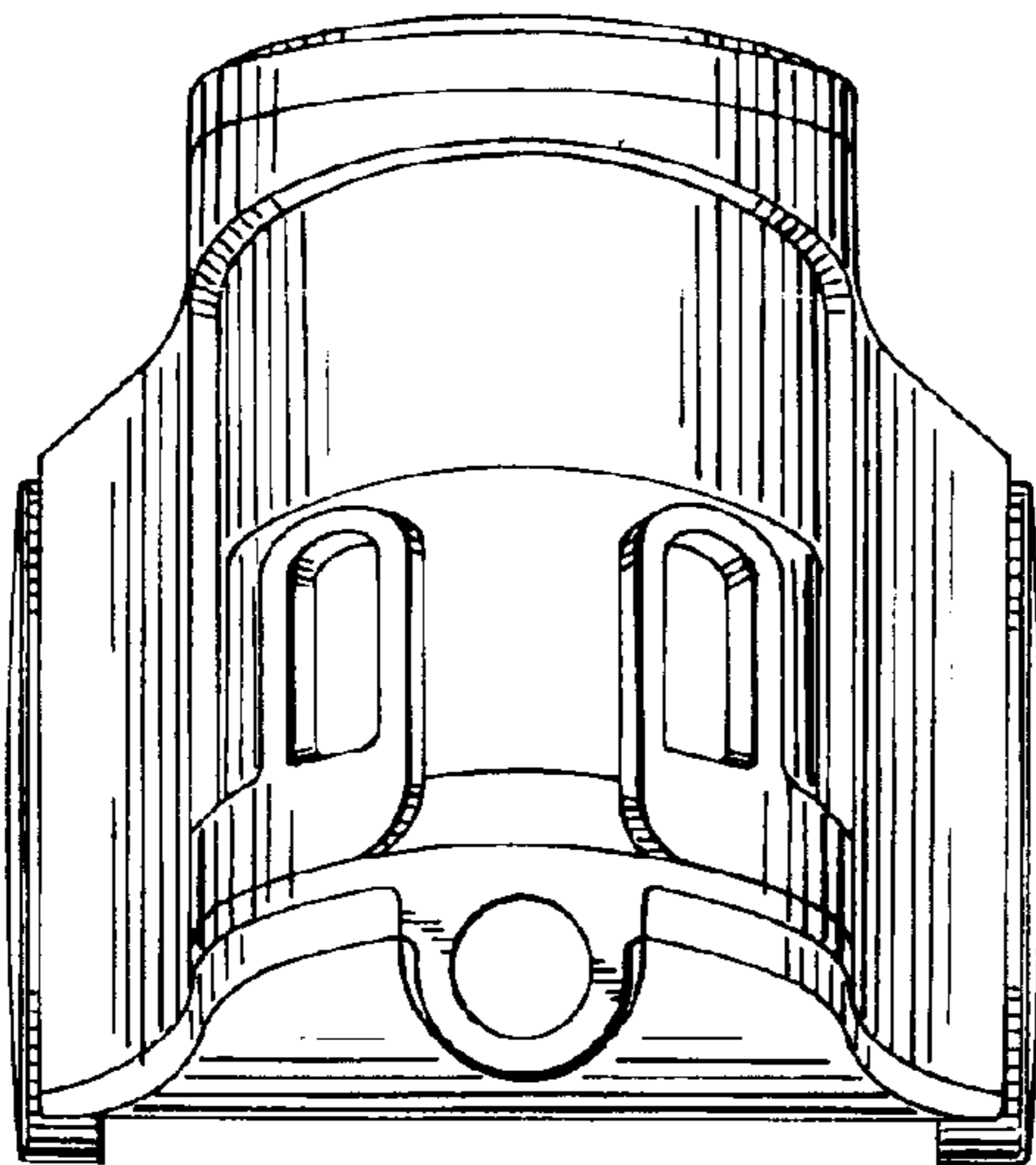


FIG. 3

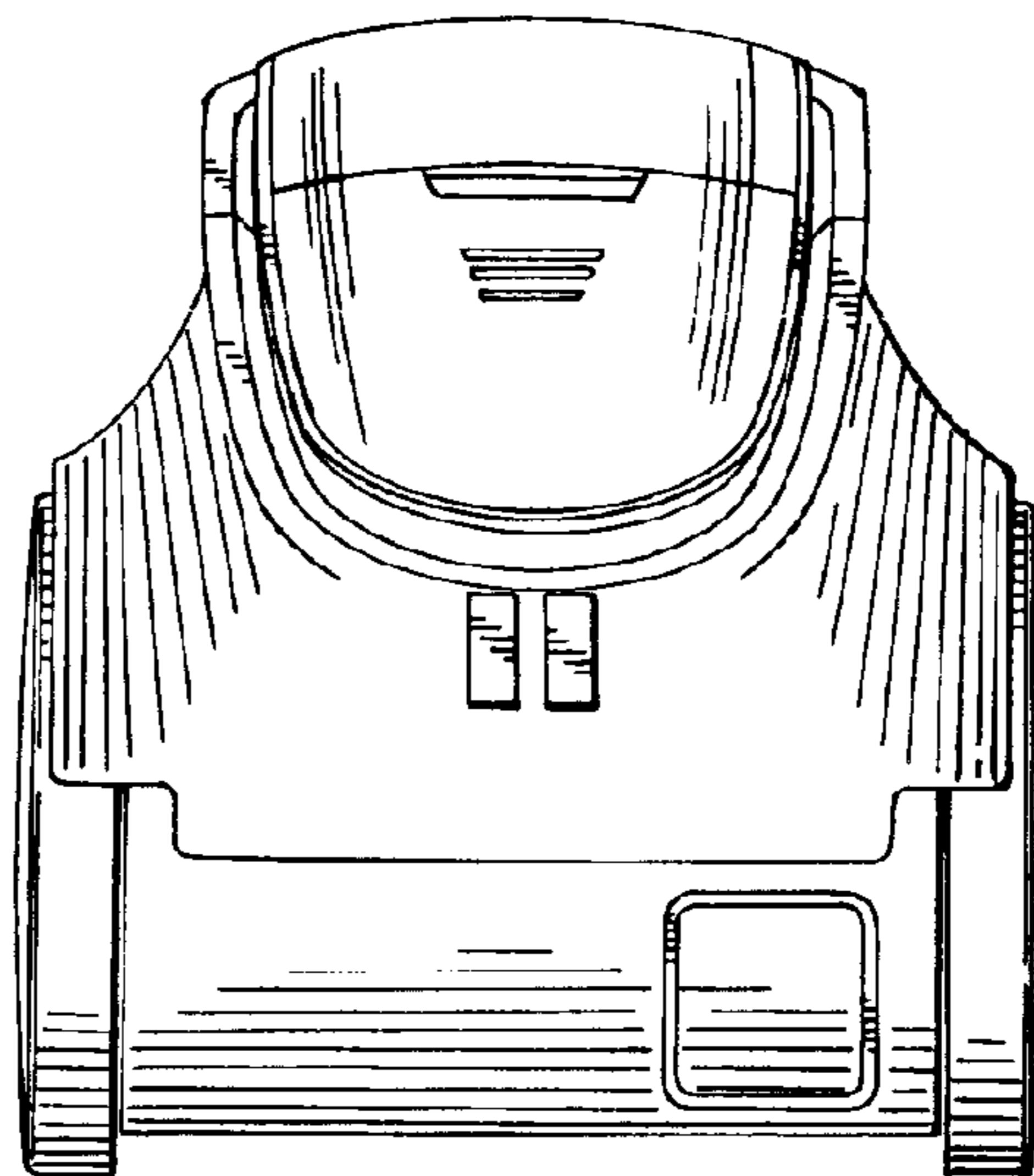


FIG. 4

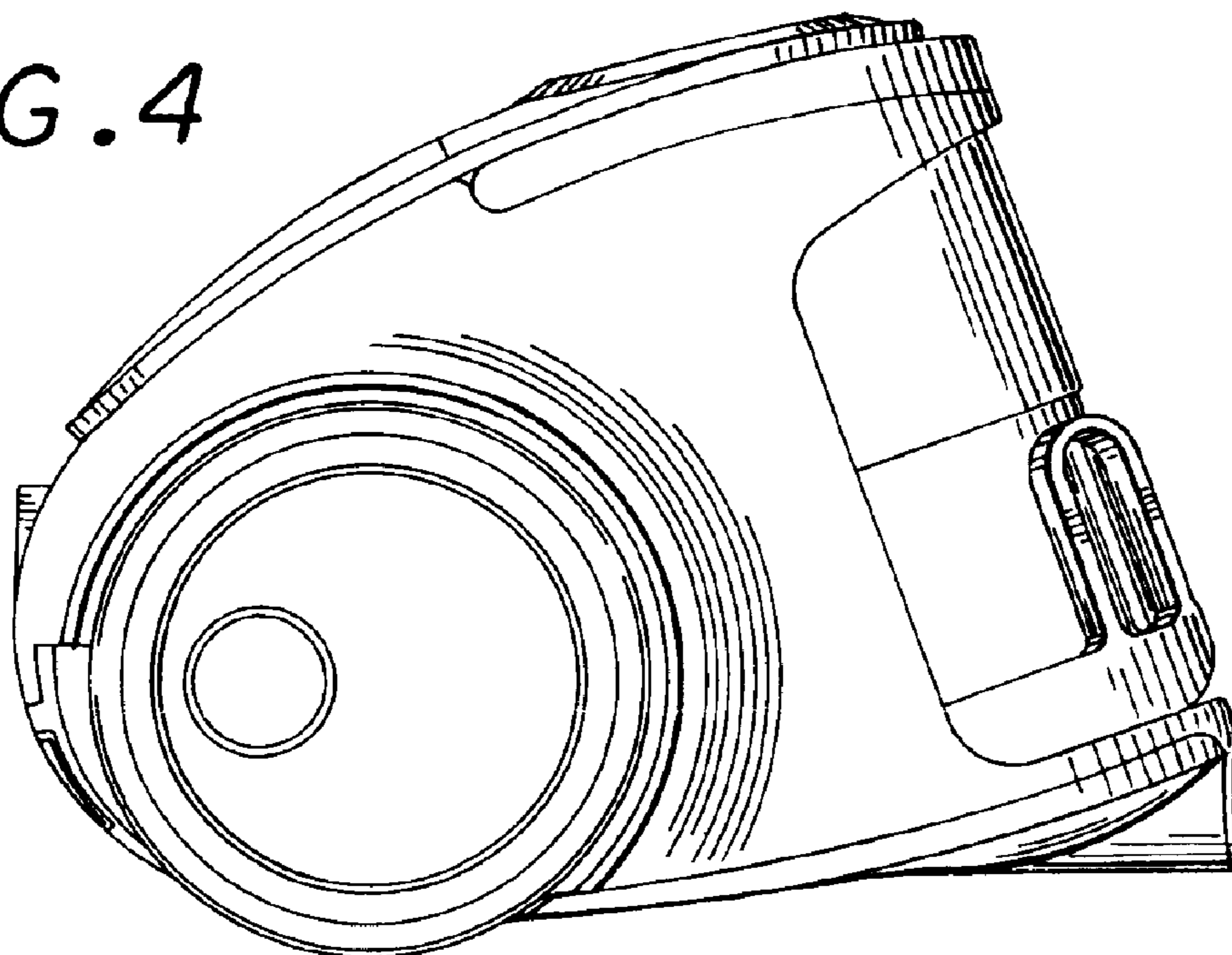


FIG. 5

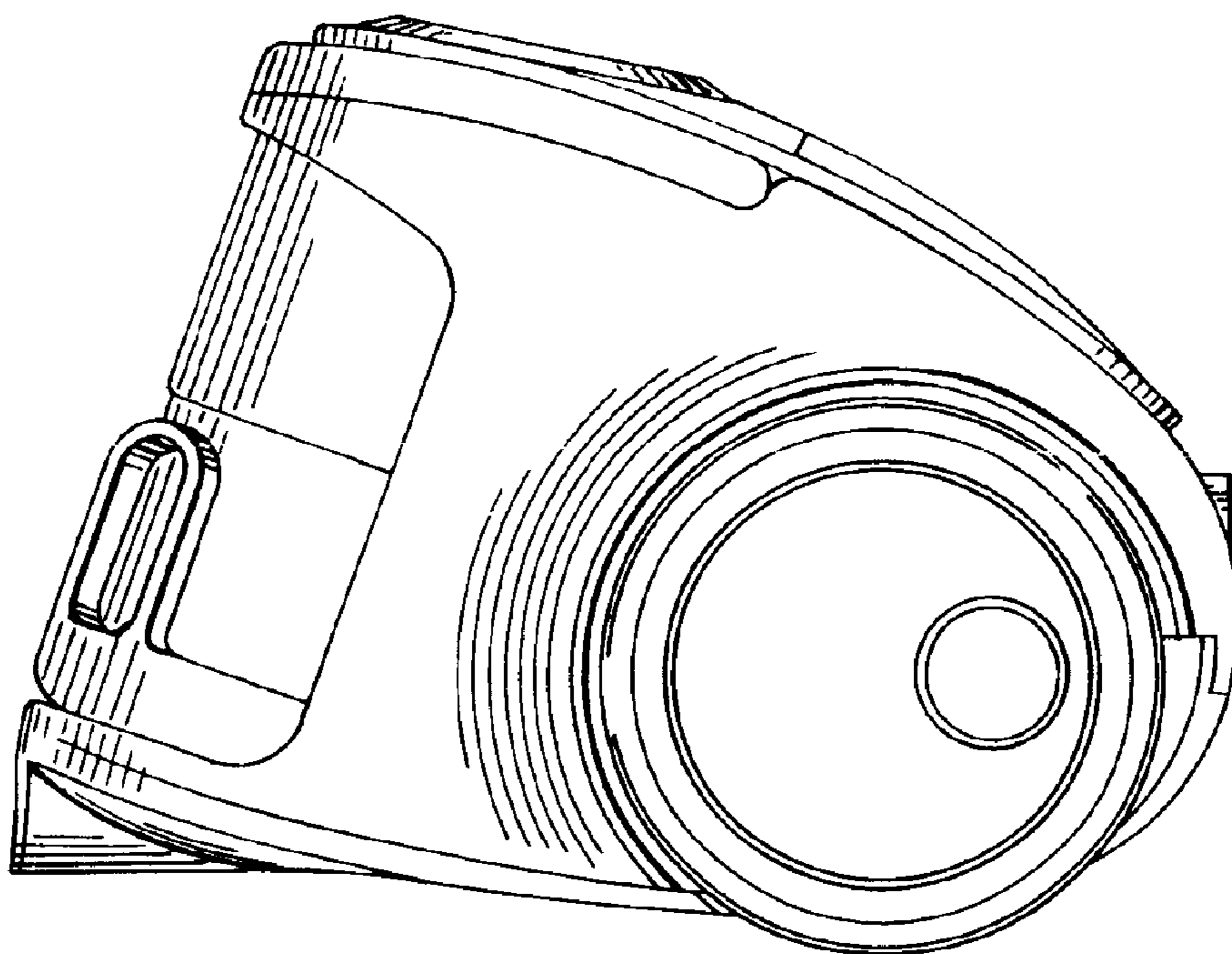


FIG. 6

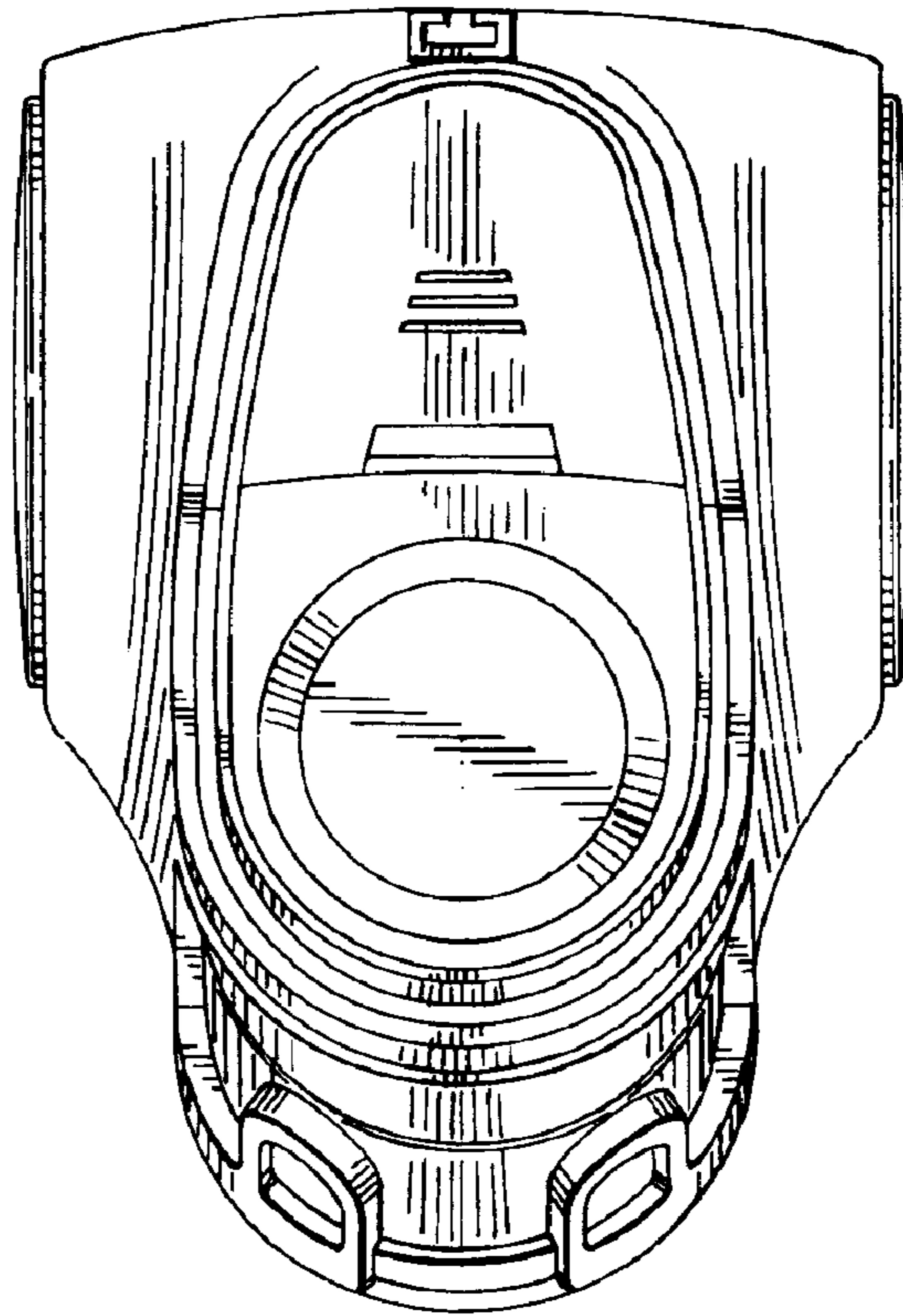


FIG. 7

