



US00D534689S

(12) **United States Design Patent**
Gross et al.

(10) **Patent No.:** **US D534,689 S**
(45) **Date of Patent:** **** Jan. 2, 2007**

(54) **HAIR CLIPPER**

(75) Inventors: **Jeff Gross**, Kenosha, WI (US);
Timothy B. Strandell, Racine, WI (US)

(73) Assignee: **Andis Company**, Sturtevant, WI (US)

(**) Term: **14 Years**

(21) Appl. No.: **29/215,892**

(22) Filed: **Oct. 26, 2004**

(51) **LOC (8) Cl.** **28-03**

(52) **U.S. Cl.** **D28/53**

(58) **Field of Classification Search** D28/49-54;
30/32, 34.05, 34.1, 34.2, 34, 41.9, 43.1-43.9,
30/43.91, 43.92, 42, 44-46, 527, 196, 201,
30/223, 233, 233.5

See application file for complete search history.

(56) **References Cited**

U.S. PATENT DOCUMENTS

1,959,266	A	*	5/1934	Finnegan	361/814
D179,584	S	*	1/1957	Wahl	D28/53
2,789,347	A	*	4/1957	Wahl et al.	30/196
D219,902	S	*	2/1971	Walton et al.	D28/53
4,493,978	A	*	1/1985	Starnes	219/438
4,666,799	A	*	5/1987	Runquist et al.	429/101
D436,692	S	*	1/2001	Larsen	D28/54
D445,541	S	*	7/2001	Wursthorn	D28/53
D455,230	S	*	4/2002	Lau	D28/53
6,398,590	B1	*	6/2002	Banas et al.	439/668

D477,439	S	7/2003	Dirks	
D479,364	S	9/2003	Long	
D497,452	S	10/2004	Nielsen et al.	
2003/0051347	A1	* 3/2003	Melton et al. 30/34.1

* cited by examiner

Primary Examiner—Jennifer Rivard

(74) *Attorney, Agent, or Firm*—Michael Best & Friedrich LLP

(57) **CLAIM**

We claim the ornamental design for a hair clipper, as shown and described.

DESCRIPTION

FIG. 1 is a top perspective view of a hair clipper embodying the invention;

FIG. 2 is a top view of a hair clipper shown in FIG. 1;

FIG. 3 is a front view of a hair clipper shown in FIG. 1;

FIG. 4 is the side view of a hair clipper shown in FIG. 1;

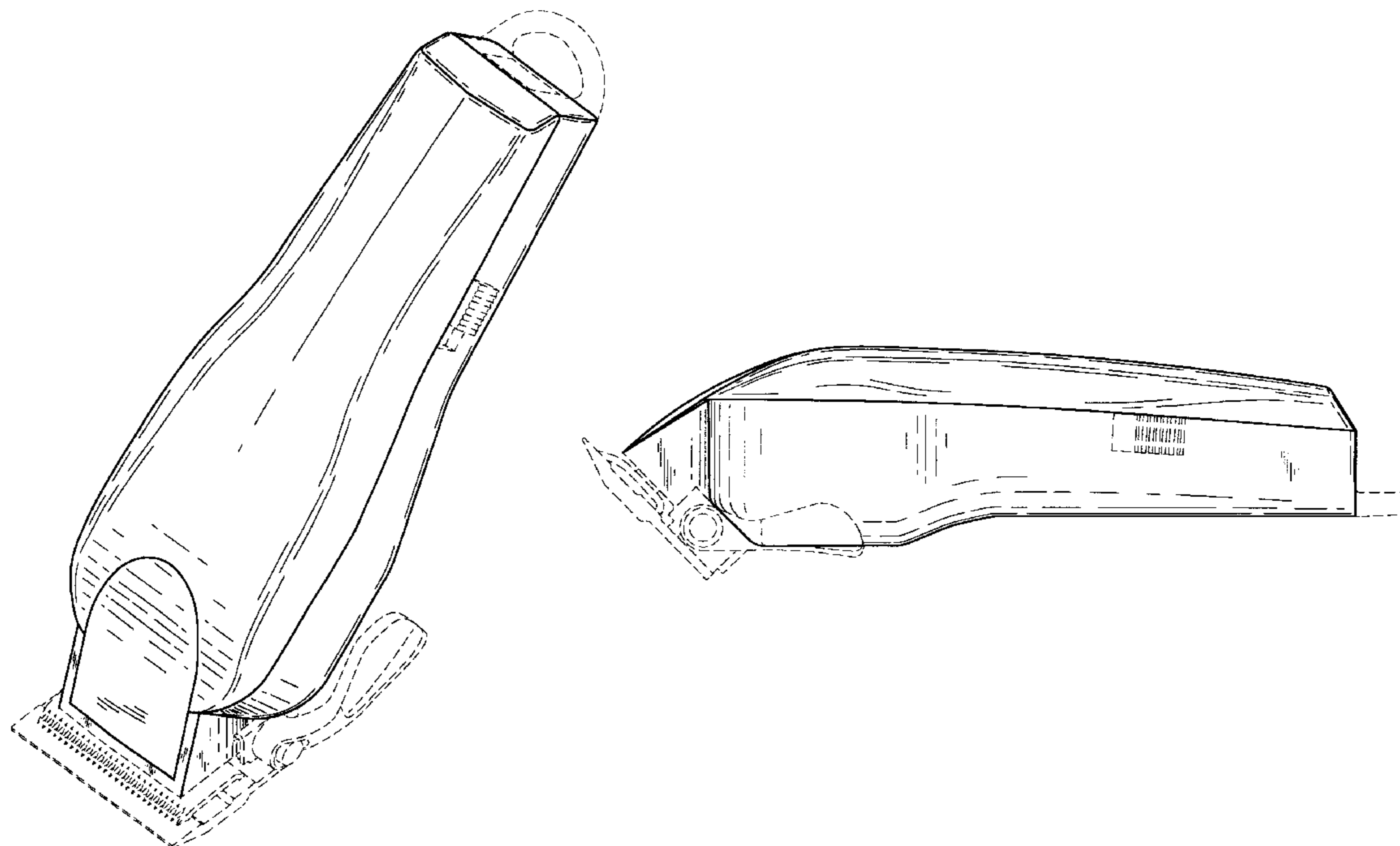
FIG. 5 is a right side view of a hair clipper shown in FIG. 1;

FIG. 6 is a bottom view of a hair clipper shown in FIG. 1; and,

FIG. 7 is a rear view of a hair clipper shown in FIG. 1.

The structure depicted by means of broken lines in the figures has been shown for illustrative purposes only and the broken lines immediately adjacent the shaded areas represent the bounds of the claim. None of the broken lines form a part of the claimed design.

1 Claim, 4 Drawing Sheets



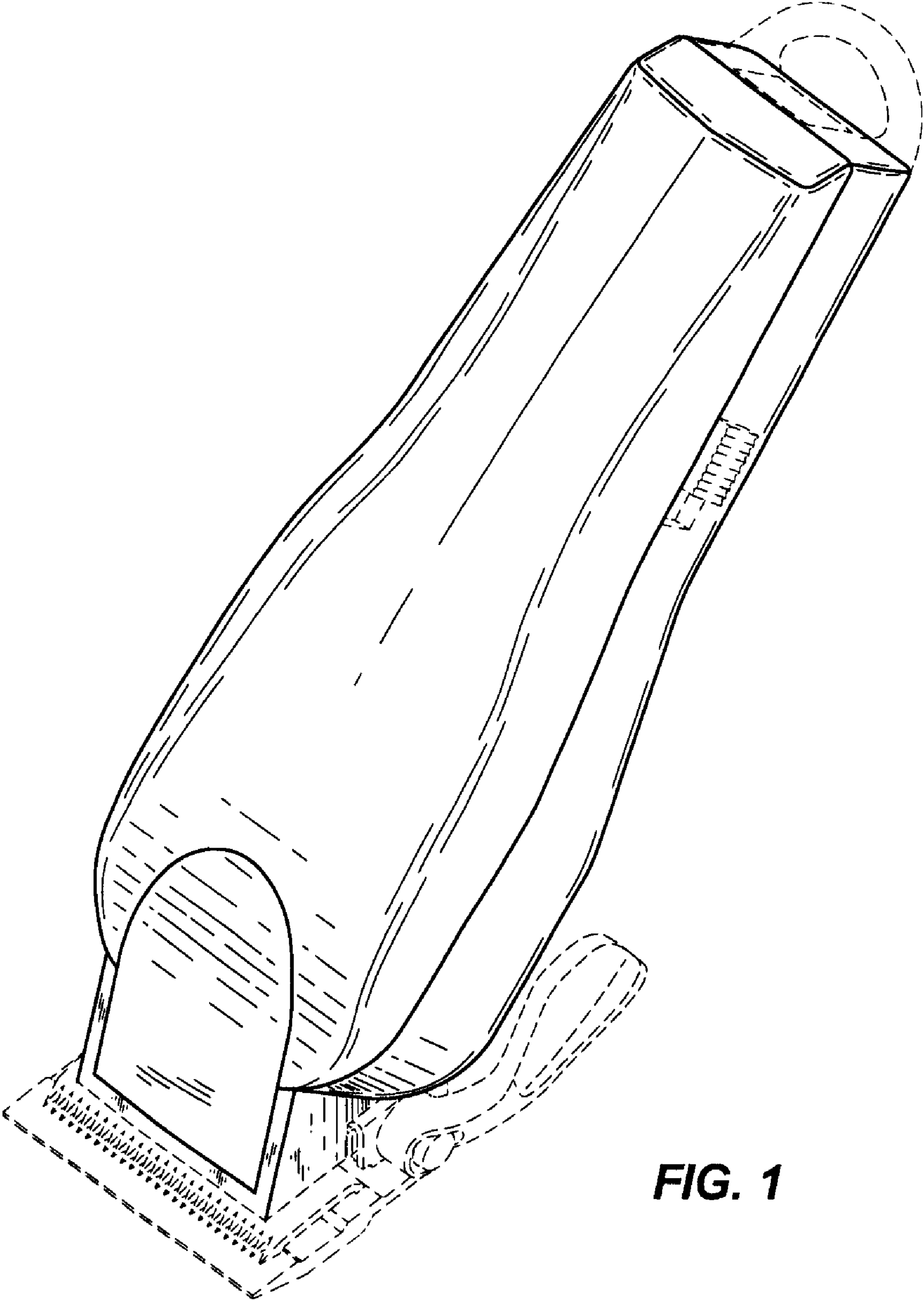


FIG. 1

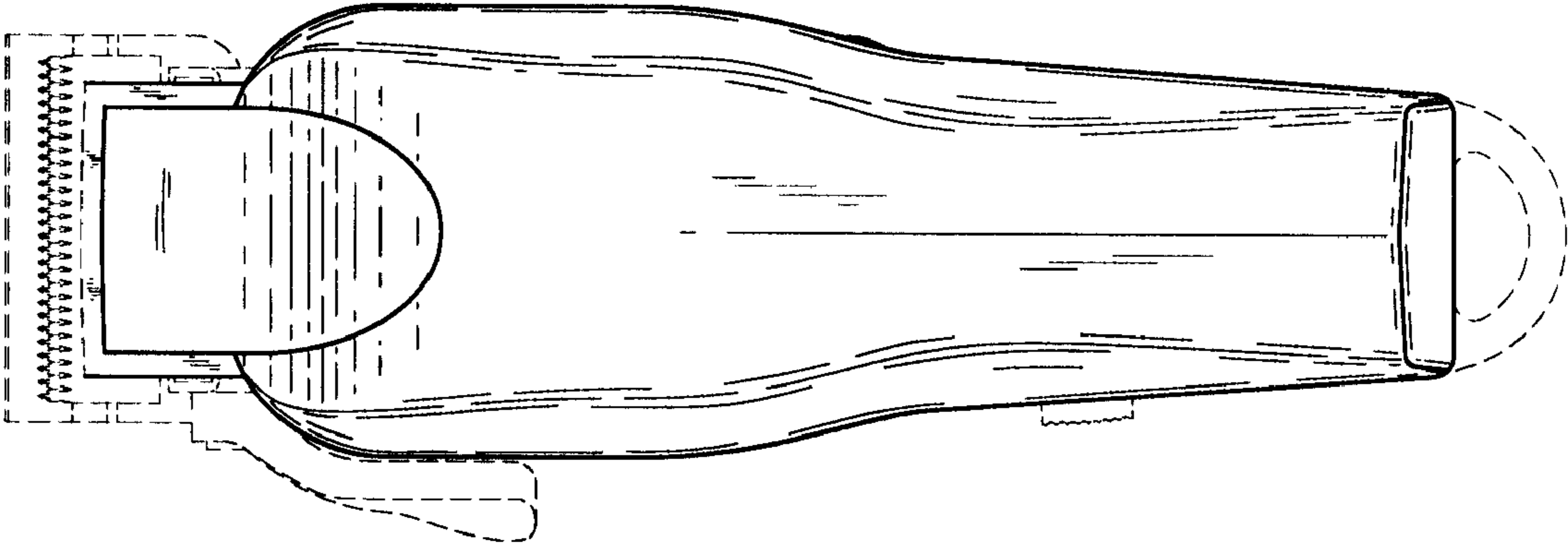


FIG. 2

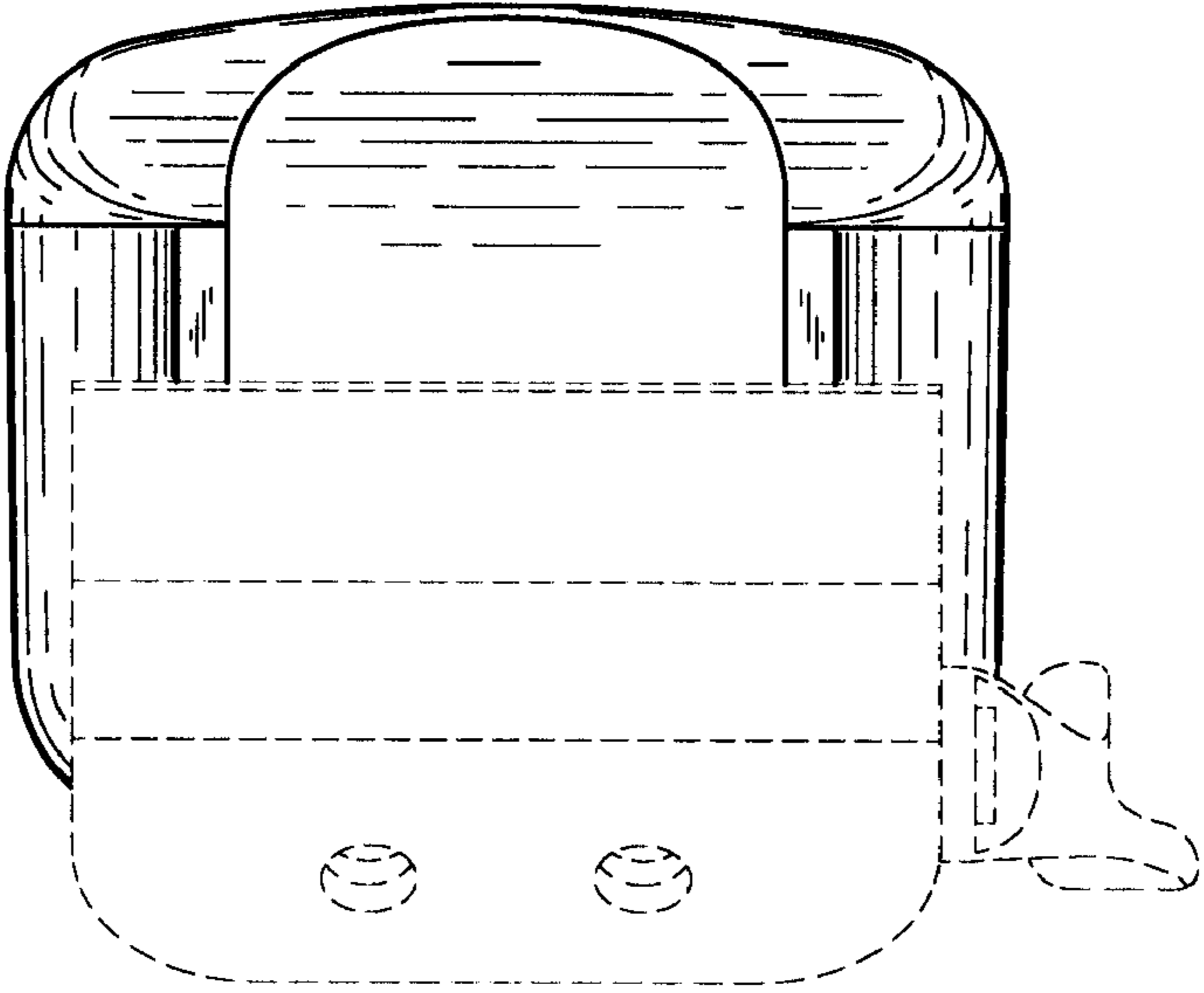


FIG. 3



FIG. 4

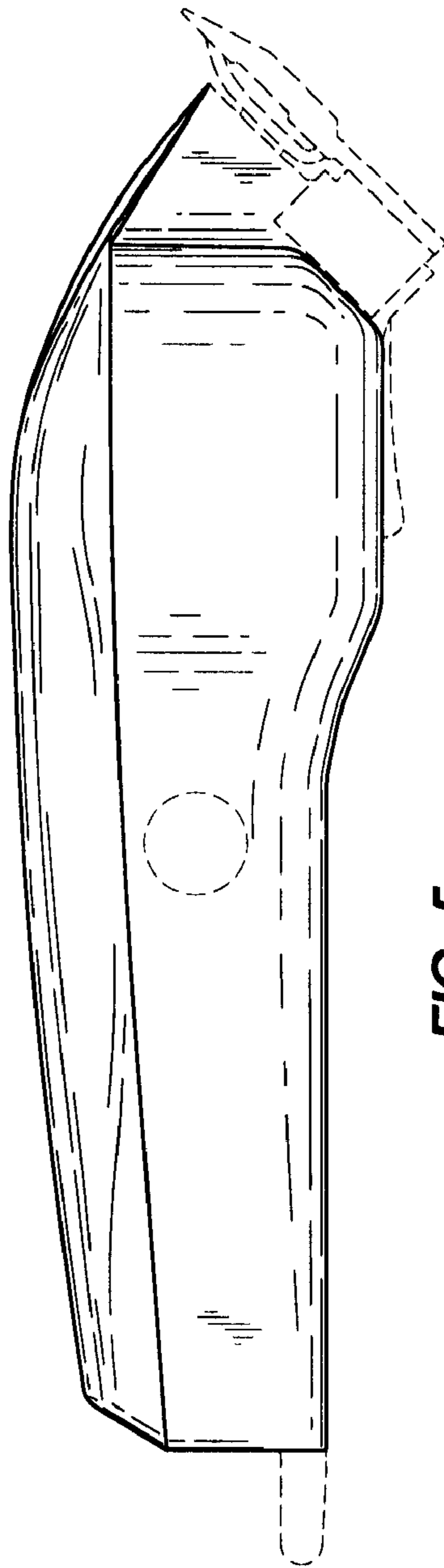


FIG. 5

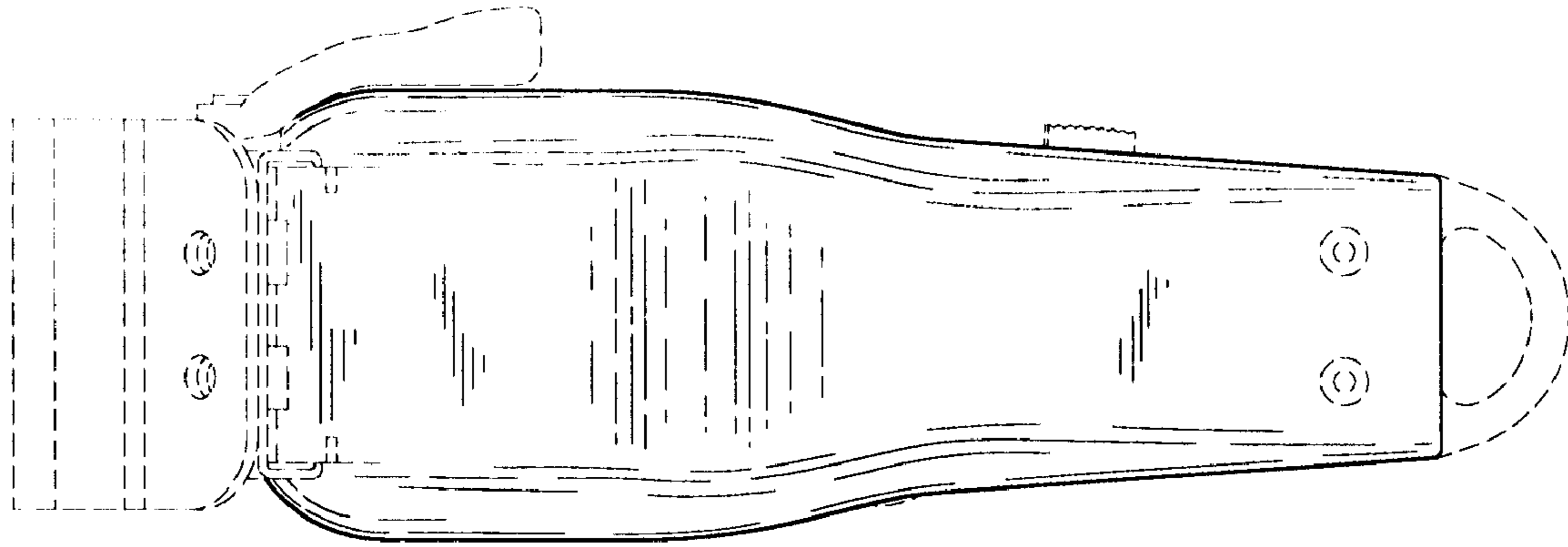


FIG. 6

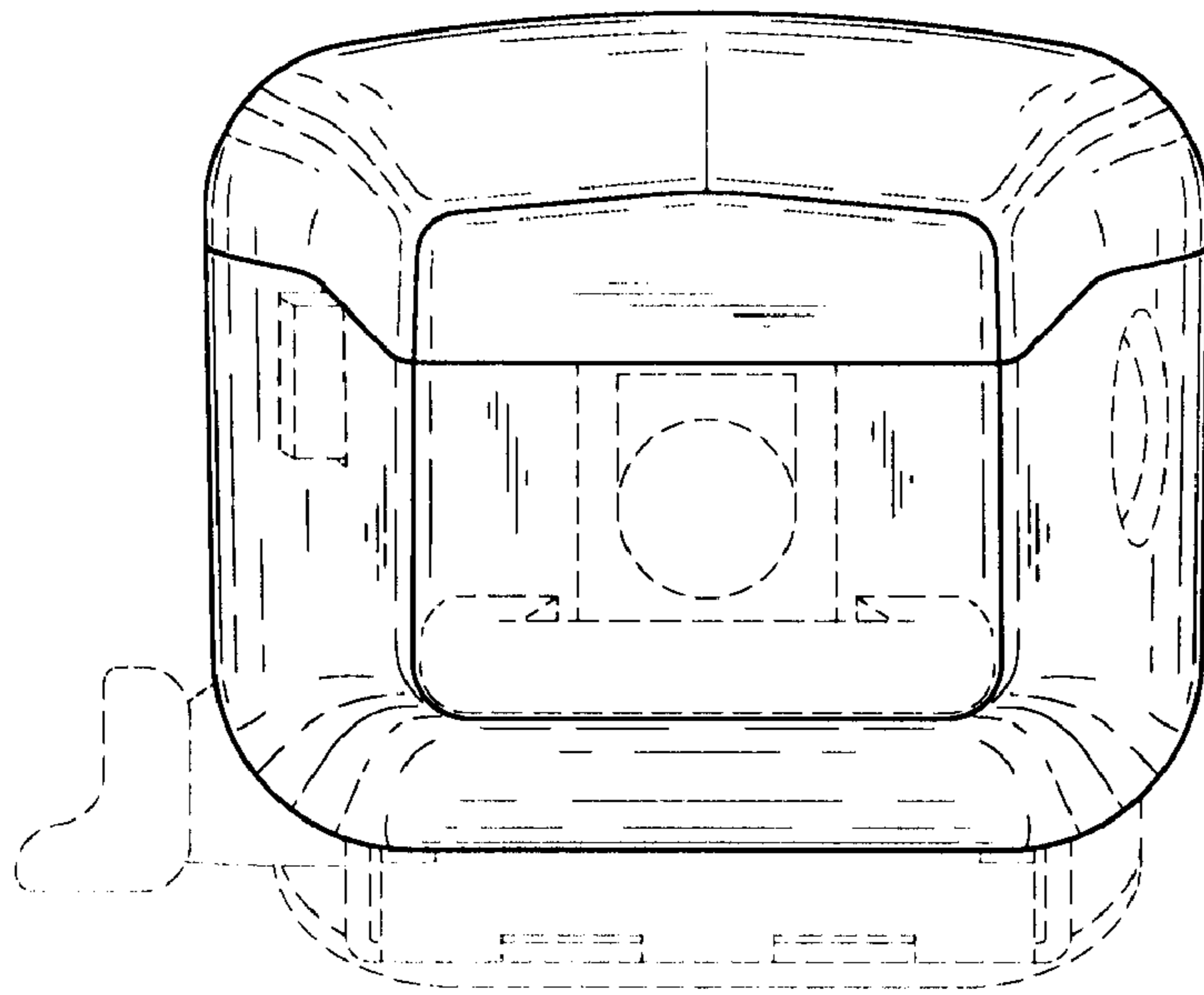


FIG. 7

UNITED STATES PATENT AND TRADEMARK OFFICE
CERTIFICATE OF CORRECTION

PATENT NO. : Des. 534,689 S
APPLICATION NO. : 29/215892
DATED : January 2, 2007
INVENTOR(S) : Jeff Gross and Timothy B. Strandell

Page 1 of 1

It is certified that error appears in the above-identified patent and that said Letters Patent is hereby corrected as shown below:

On The Title Page, Item [57]
Claim. Replace "clipper, as shown"
With --clipper as shown--

Signed and Sealed this

Tenth Day of July, 2007

A handwritten signature in black ink on a light gray dotted background. The signature reads "Jon W. Dudas" in a cursive style.

JON W. DUDAS

Director of the United States Patent and Trademark Office