



US00D534684S

(12) **United States Design Patent**
Ceva

(10) **Patent No.:** **US D534,684 S**

(45) **Date of Patent:** **** Jan. 2, 2007**

(54) **HAIR IRON**

(75) Inventor: **Carlos José Ceva**, Buenos Aires (AR)

(73) Assignee: **Bayari Holdings S.A.**, Panama (PA)

(**) Term: **14 Years**

(21) Appl. No.: **29/256,734**

(22) Filed: **Mar. 23, 2006**

(30) **Foreign Application Priority Data**

Sep. 26, 2005 (AR) 74117

(51) **LOC (8) Cl.** **28-03**

(52) **U.S. Cl.** **D28/35**

(58) **Field of Classification Search** 132/223–225,
132/227–229, 232, 245, 269, 271; D28/35;
219/222, 225, 226

See application file for complete search history.

(56) **References Cited**

U.S. PATENT DOCUMENTS

D489,484 S * 5/2004 Cheung D28/35

D511,023 S * 10/2005 Cho D28/35
2005/0252519 A1 * 11/2005 Kayser 132/224
2006/0037625 A1 * 2/2006 Kayser et al. 132/224

* cited by examiner

Primary Examiner—Jennifer Rivard

(74) *Attorney, Agent, or Firm*—Hughes Hubbard & Reed
LLP; Ronald Abramson; Peter A. Sullivan

(57) **CLAIM**

The ornamental design for a hair iron, as shown.

DESCRIPTION

FIG. 1 is a perspective view of a hair iron showing my new design;

FIG. 2 is a front elevational view thereof;

FIG. 3 is a back elevational view thereof;

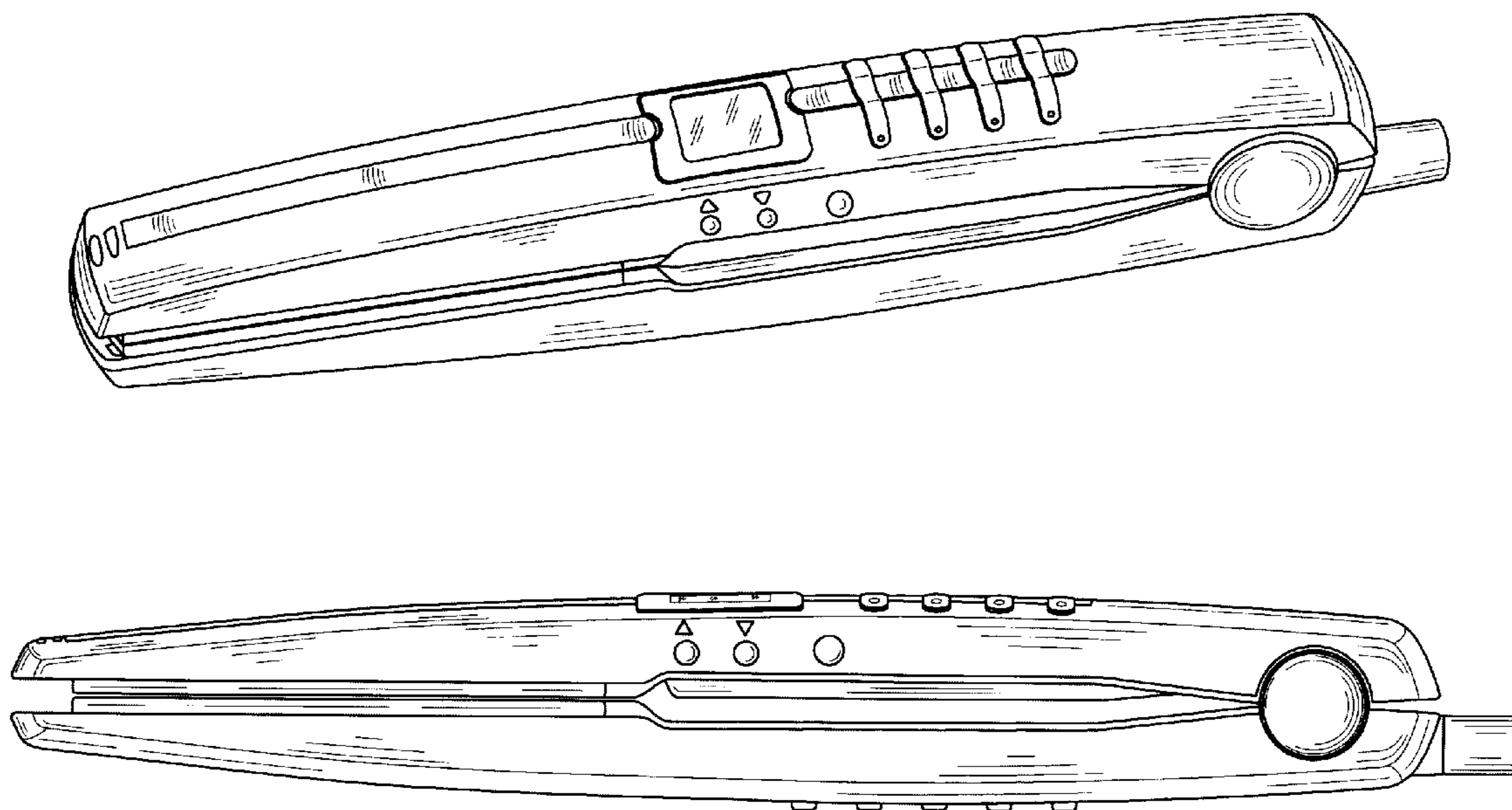
FIG. 4 is a right elevational view thereof;

FIG. 5 is a left elevational view thereof;

FIG. 6 is a top plan view thereof; and,

FIG. 7 is a bottom plan view thereof.

1 Claim, 3 Drawing Sheets



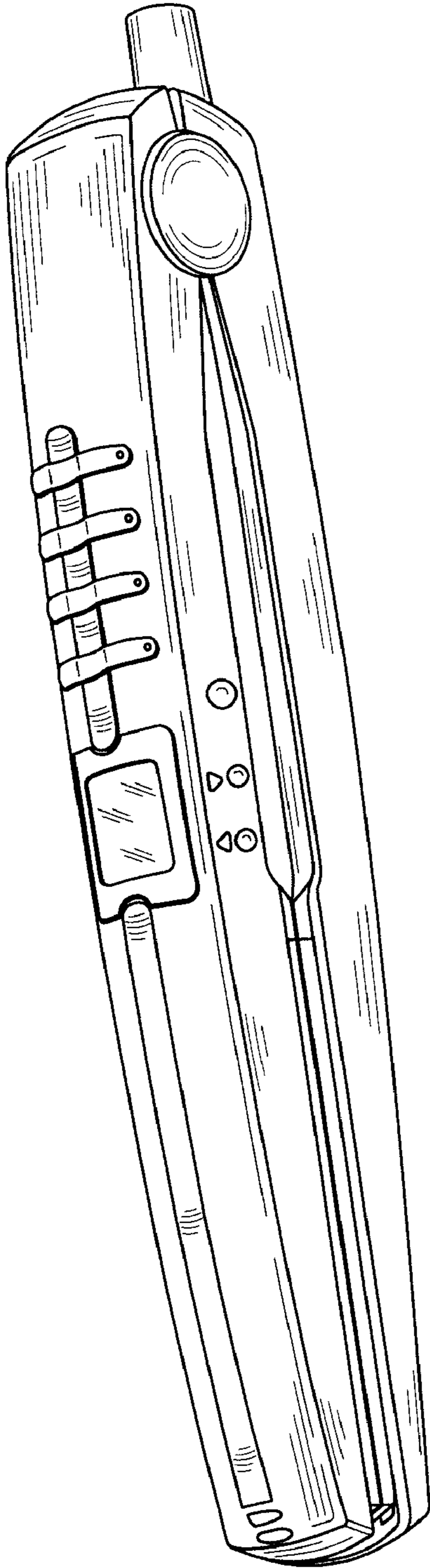


FIG. 1

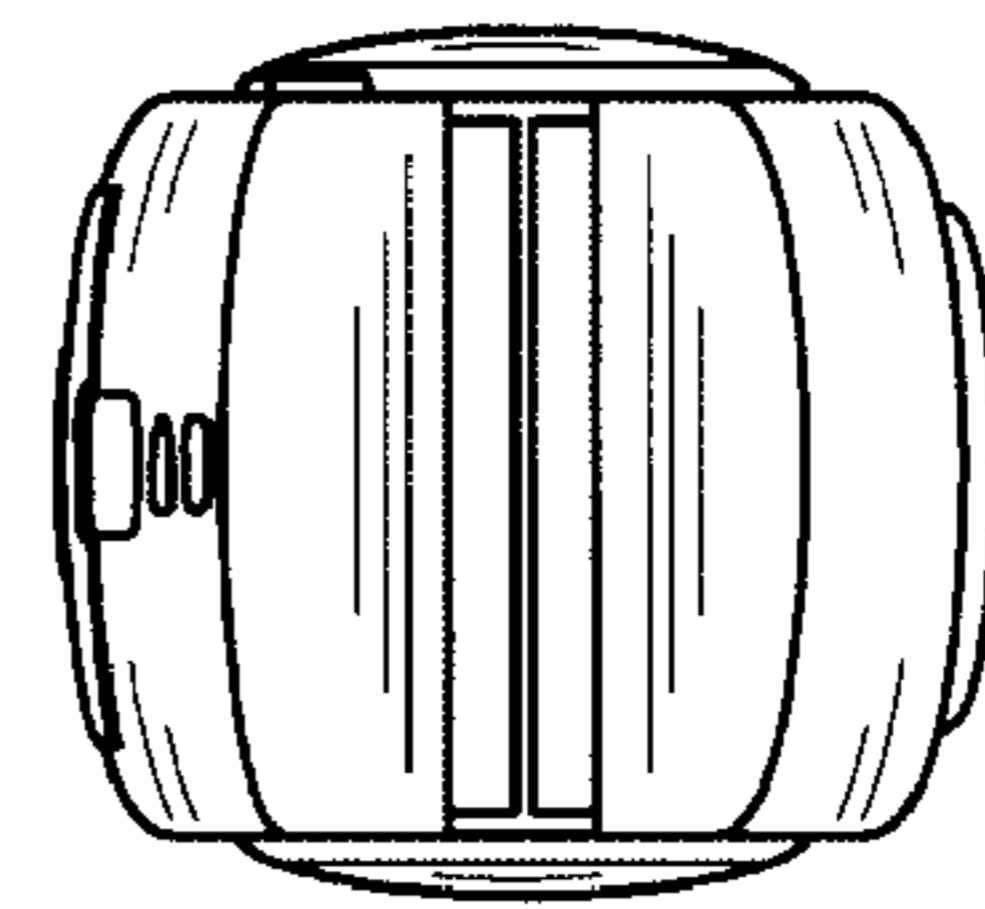


FIG. 2

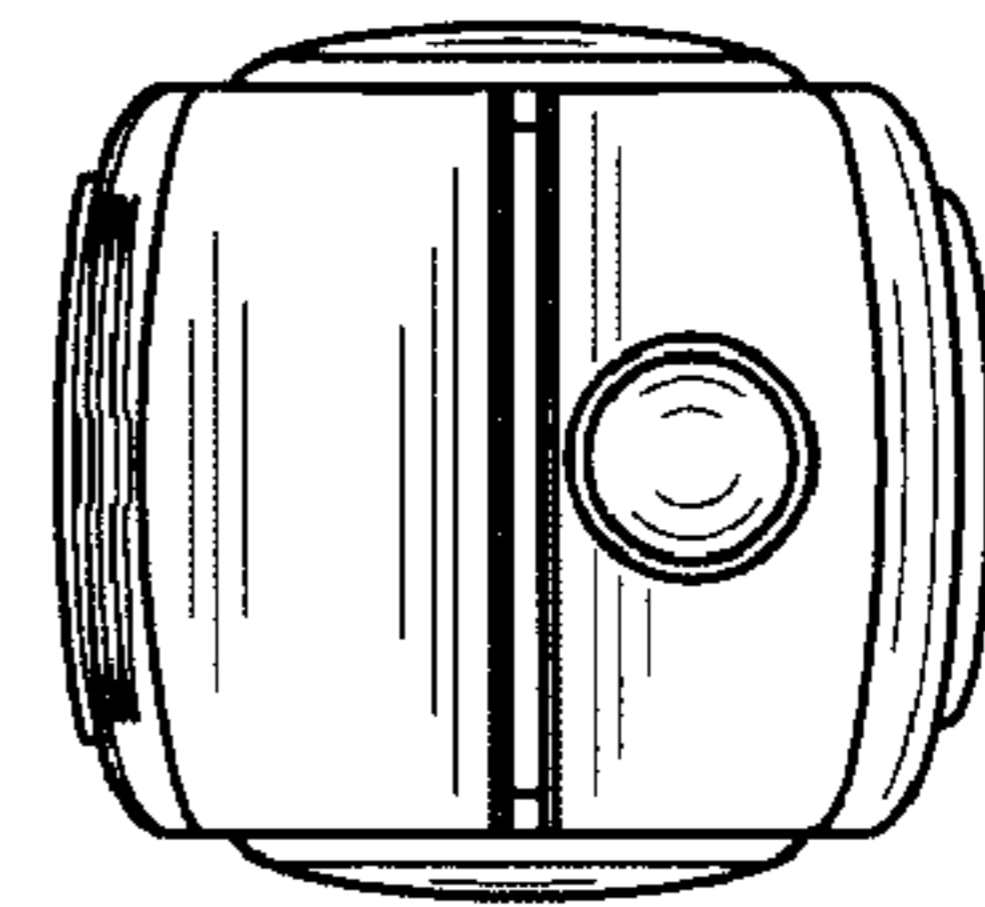


FIG. 3

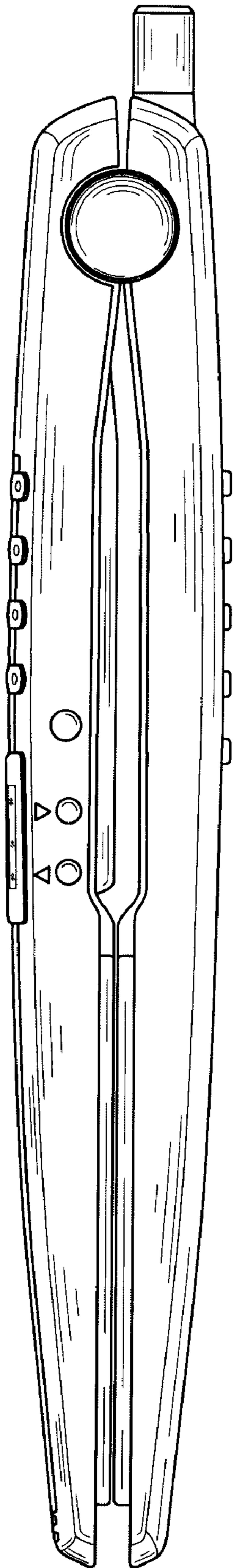


FIG. 4

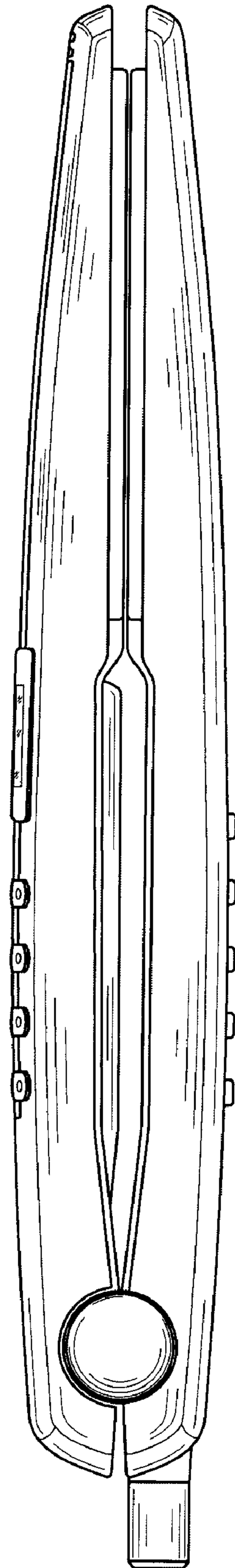


FIG. 5

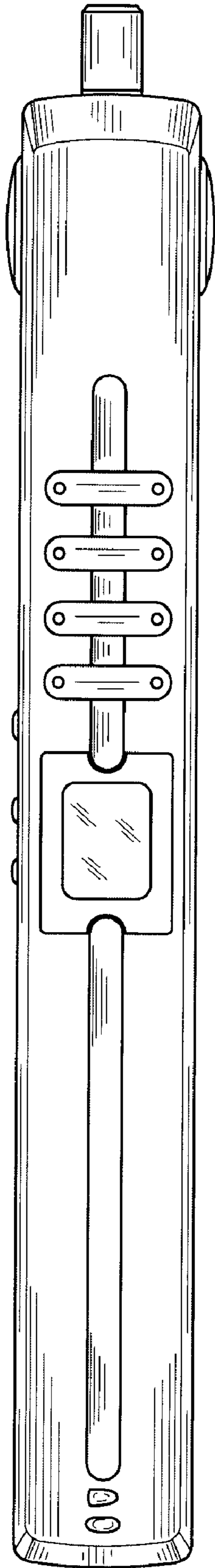


FIG. 6

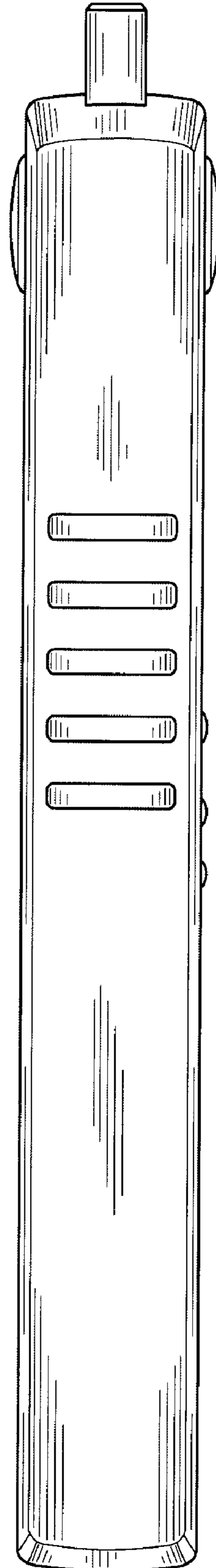


FIG. 7