

US00D534683S

(12) **United States Design Patent** (10) **Patent No.:** **US D534,683 S**
Rizzuto, Jr. (45) **Date of Patent:** **** Jan. 2, 2007**

(54) **CURLING IRON**

* cited by examiner

(76) Inventor: **Leandro Rizzuto, Jr.**, One Cummings Point Rd., Stamford, WY (US) 06902

Primary Examiner—Jennifer Rivard
(74) *Attorney, Agent, or Firm*—Lawrence Cruz; Steven A. Garner

(**) Term: **14 Years**

(57) **CLAIM**

(21) Appl. No.: **29/253,951**

The ornamental design for a curling iron, as shown and described.

(22) Filed: **Feb. 15, 2006**

(51) **LOC (8) Cl.** **28-03**

DESCRIPTION

(52) **U.S. Cl.** **D28/35**

(58) **Field of Classification Search** 132/223–225,
132/227–229, 232, 245, 269, 271; D28/35;
219/222, 225, 226

FIG. 1 is a perspective view of a curling iron showing our new design;

FIG. 2 is a right side view thereof;

FIG. 3 is a front view thereof;

FIG. 4 is a rear view thereof;

FIG. 5 is a top view thereof;

FIG. 6 is a bottom view thereof; and,

FIG. 7 is a left side view thereof.

See application file for complete search history.

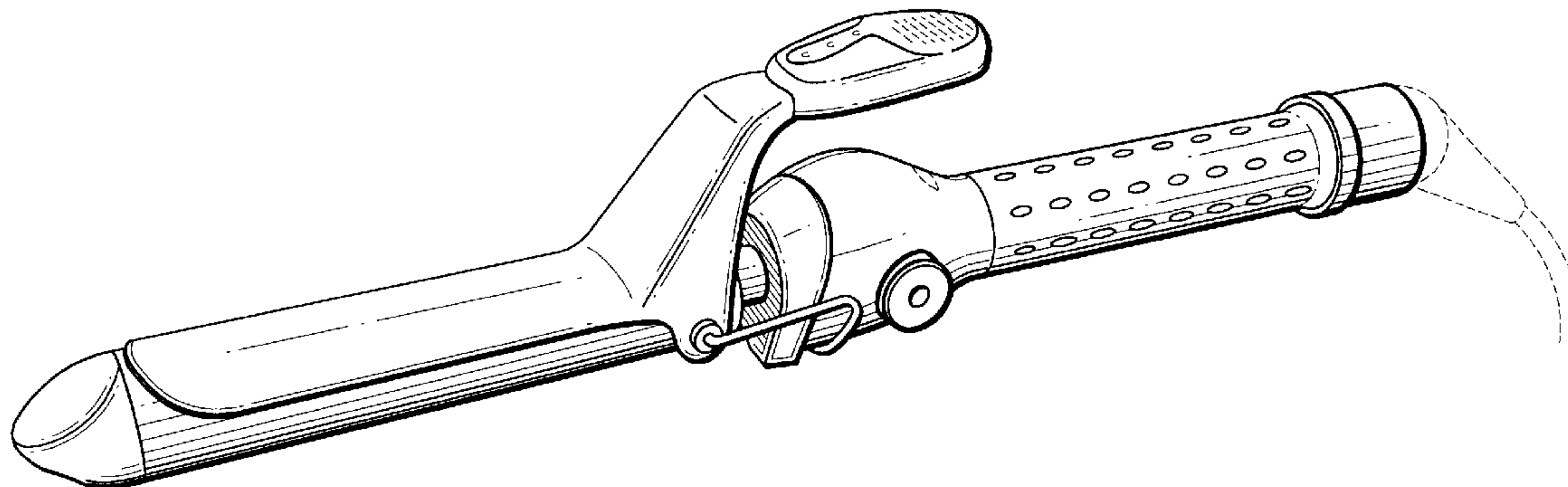
The broken lines are shown for illustrative purposes only and form no part of the claimed design.

(56) **References Cited**

U.S. PATENT DOCUMENTS

D321,952 S	*	11/1991	Montagnino et al.	D28/35
D331,296 S	*	11/1992	Smal	D28/35
D413,410 S	*	8/1999	Winn et al.	D28/35
2003/0056803 A1	*	3/2003	Lin	132/232
2006/0076032 A1	*	4/2006	Fung	132/224

1 Claim, 6 Drawing Sheets



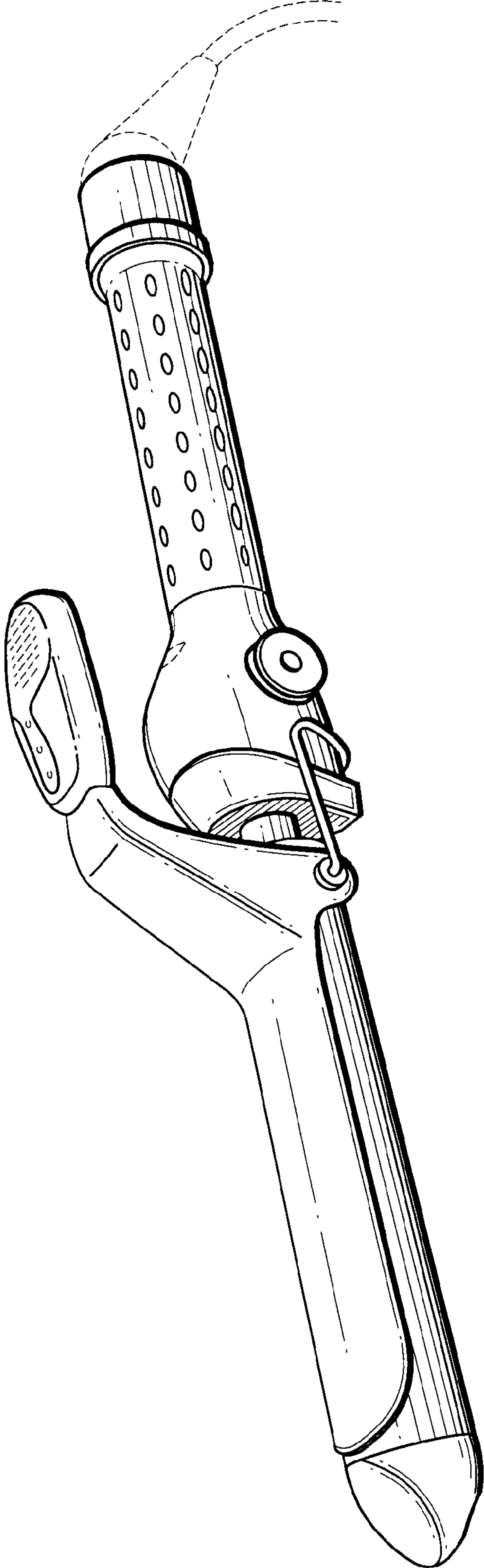


FIG. 1

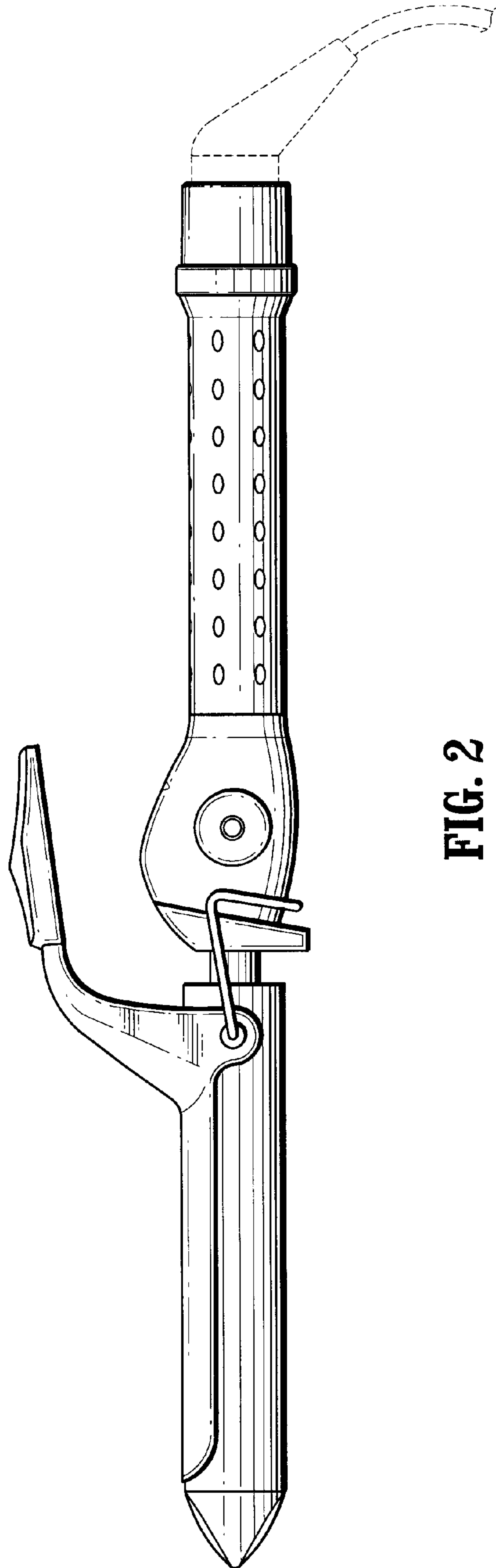


FIG. 2

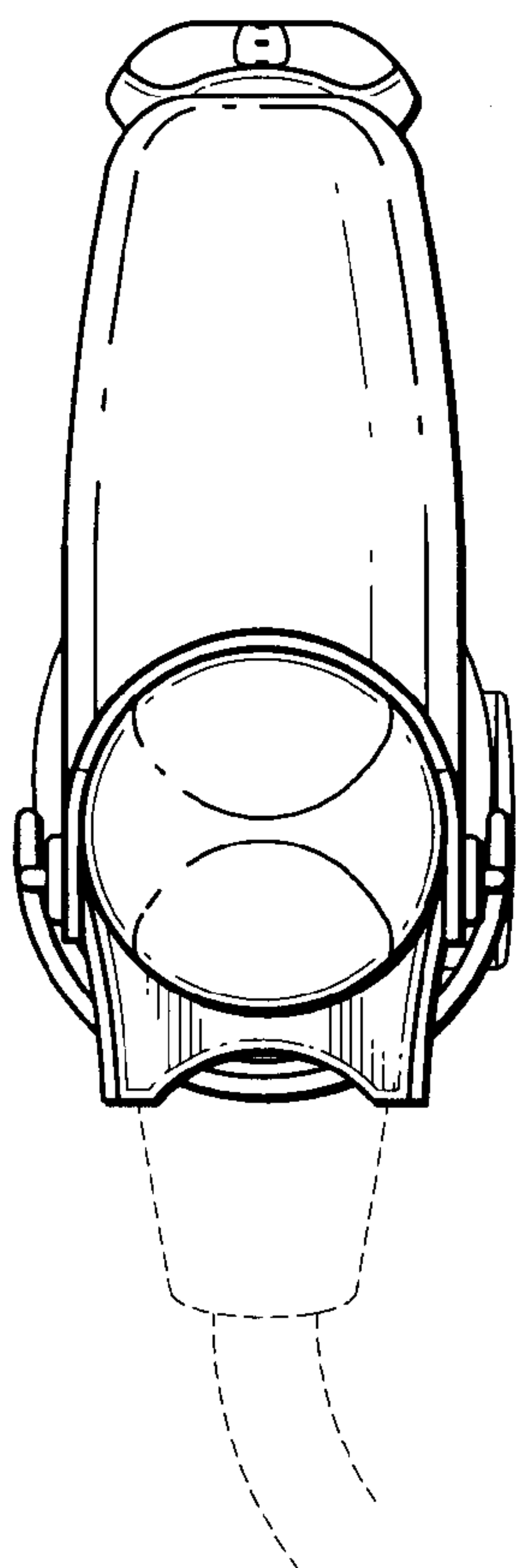


FIG. 3

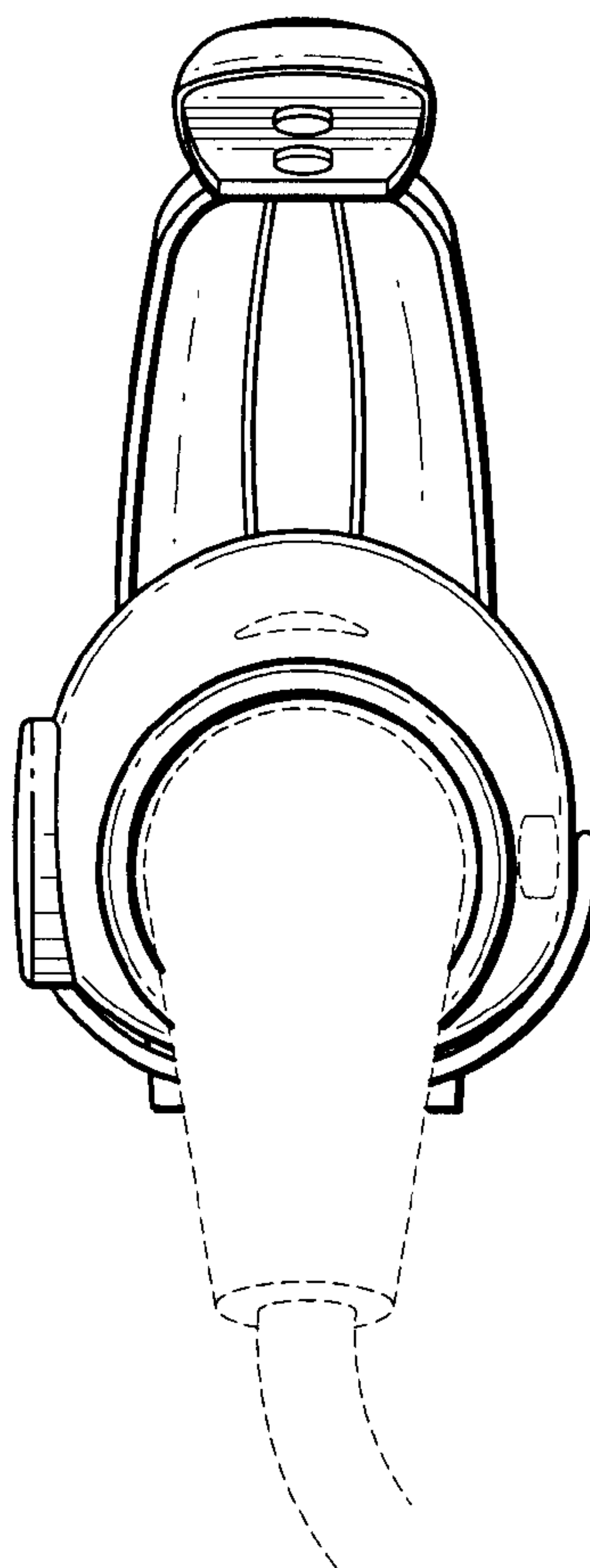


FIG. 4

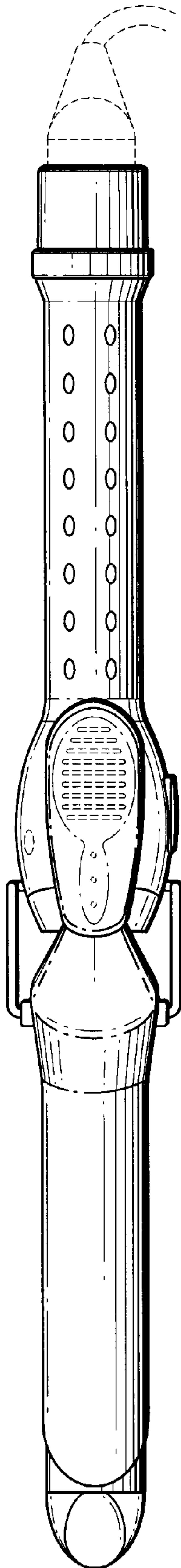


FIG. 5

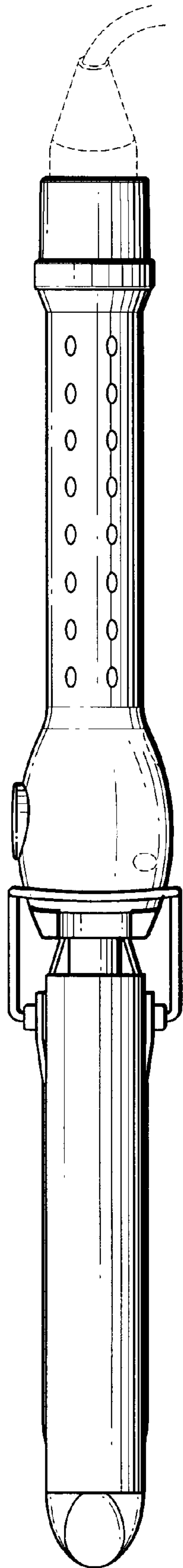


FIG. 6

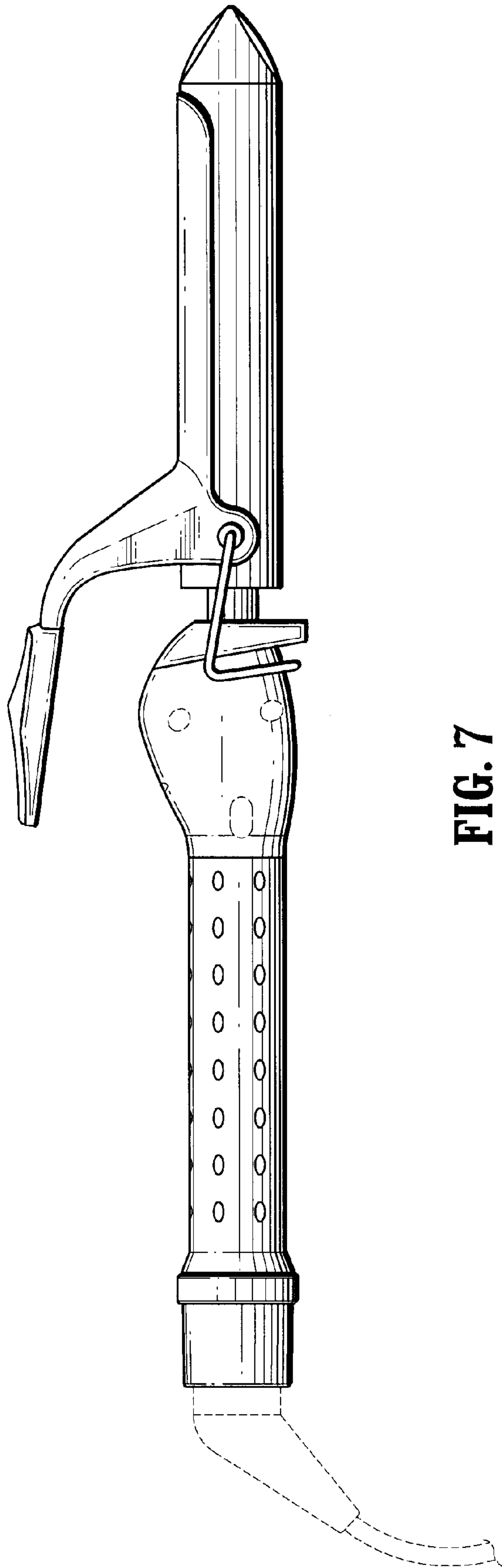


FIG. 7