



US00D534678S

(12) **United States Design Patent**  
**Hsu**

(10) **Patent No.:** **US D534,678 S**

(45) **Date of Patent:** **\*\* Jan. 2, 2007**

(54) **WALL LAMP**

D456,934 S \* 5/2002 Hsu ..... D26/87  
D456,935 S \* 5/2002 Hsu ..... D26/87

(75) Inventor: **Kevin Hsu**, Taichung (TW)

\* cited by examiner

(73) Assignee: **Dong Guan Bright Yinhuey Lighting Co., Ltd. China**, Guang Dong (CN)

*Primary Examiner*—Clare E Heflin

(\*\*) Term: **14 Years**

(74) *Attorney, Agent, or Firm*—Alan D. Kamrath; Nikolai & Mersereau, P.A.

(21) Appl. No.: **29/259,139**

(57) **CLAIM**

(22) Filed: **May 2, 2006**

The ornamental design for a wall lamp, as shown and described.

(51) **LOC (8) Cl.** ..... **26-03**

(52) **U.S. Cl.** ..... **D26/87; D26/92**

(58) **Field of Classification Search** ..... D26/72,  
D26/85-92, 138, 145, 155; 362/147, 404-408,  
362/432

See application file for complete search history.

**DESCRIPTION**

FIG. 1 is a perspective view of a wall lamp showing my design;

FIG. 2 is a front elevational view thereof;

FIG. 3 is a rear elevational view thereof;

FIG. 4 is a left side elevational view thereof;

FIG. 5 is a right side elevational view thereof;

FIG. 6 is a top plan view thereof; and,

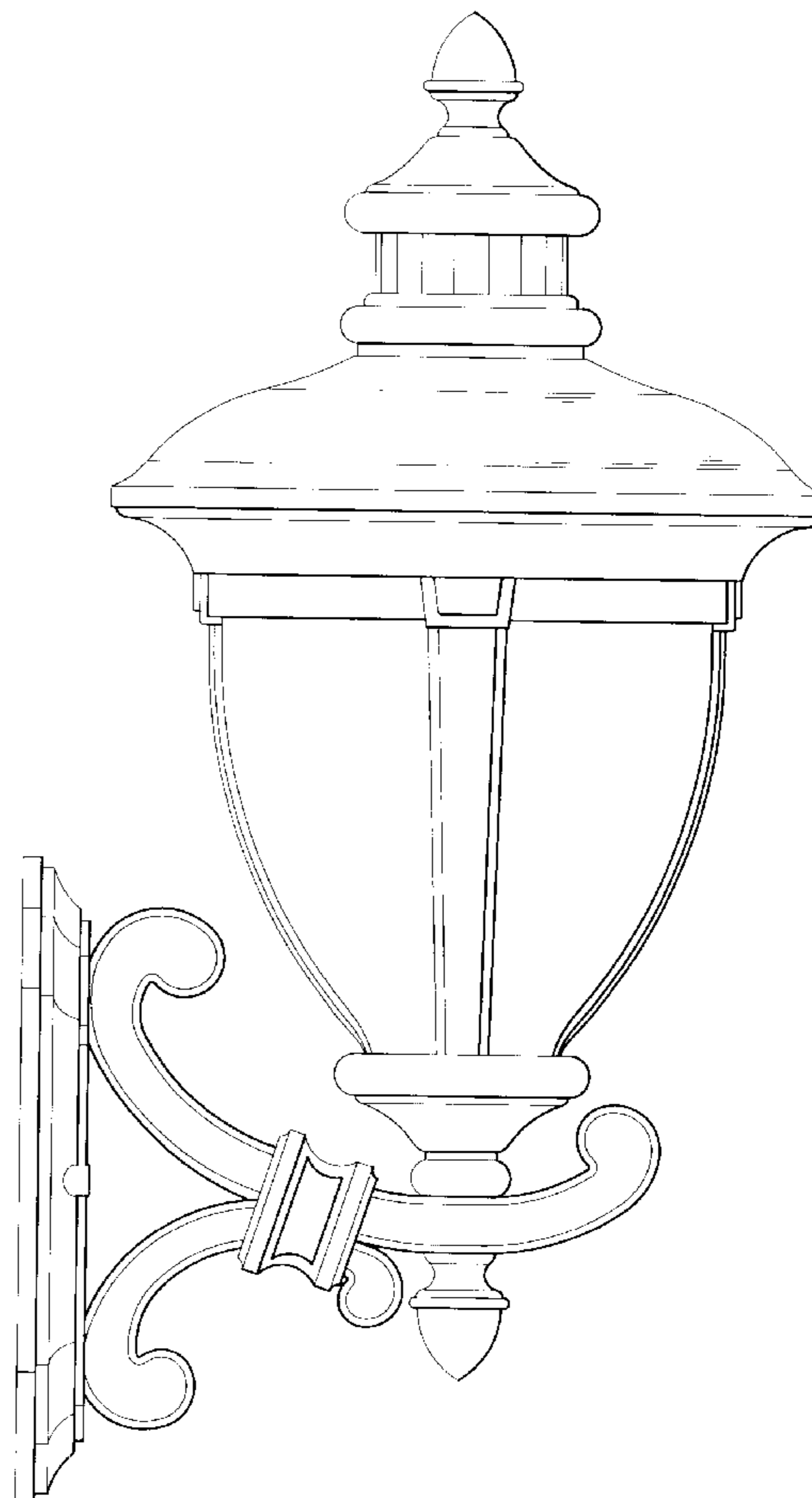
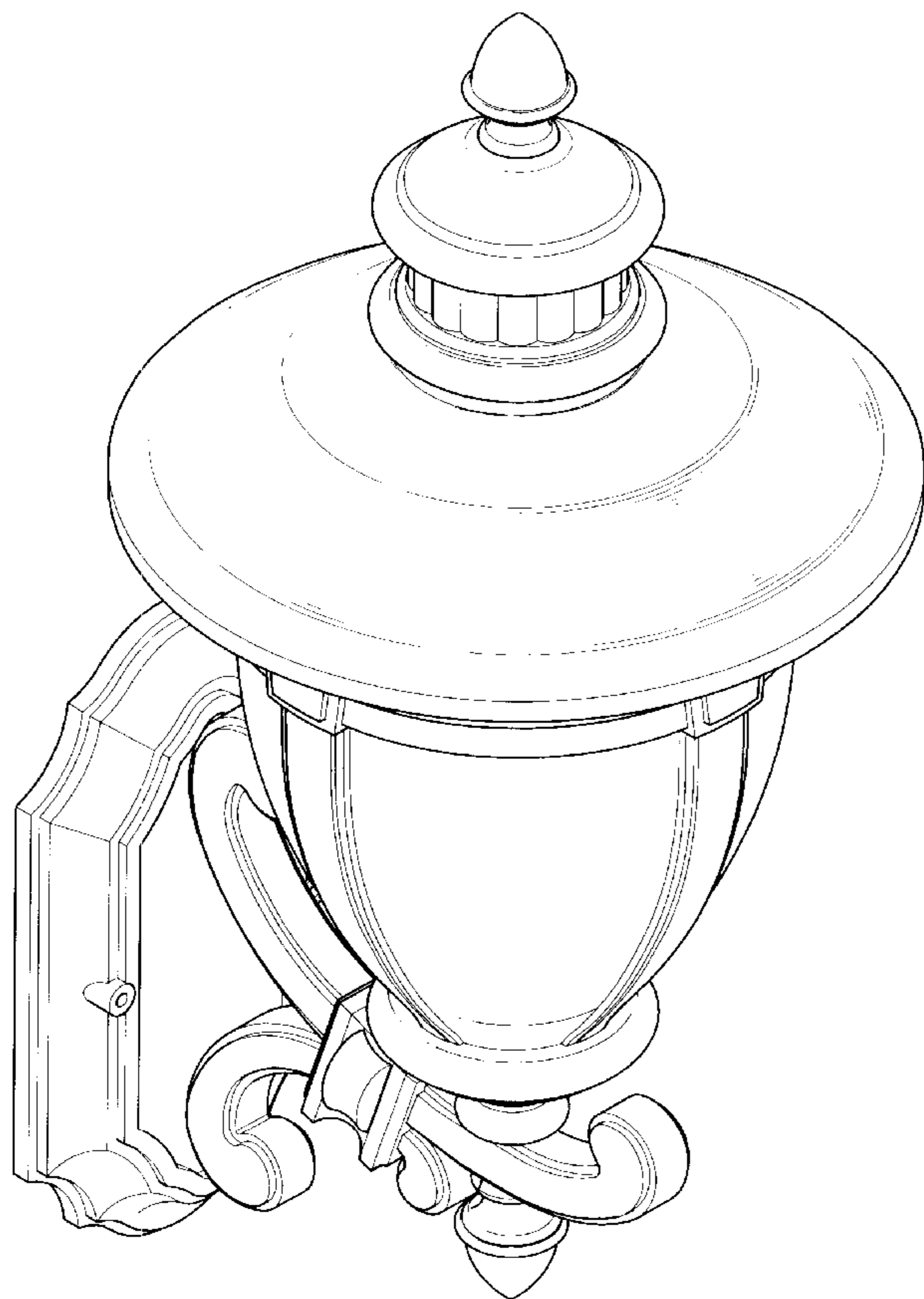
FIG. 7 is a bottom plan view thereof.

(56) **References Cited**

**U.S. PATENT DOCUMENTS**

D316,158 S \* 4/1991 Choi ..... D26/87  
D440,002 S \* 4/2001 Miranda ..... D26/87

**1 Claim, 6 Drawing Sheets**



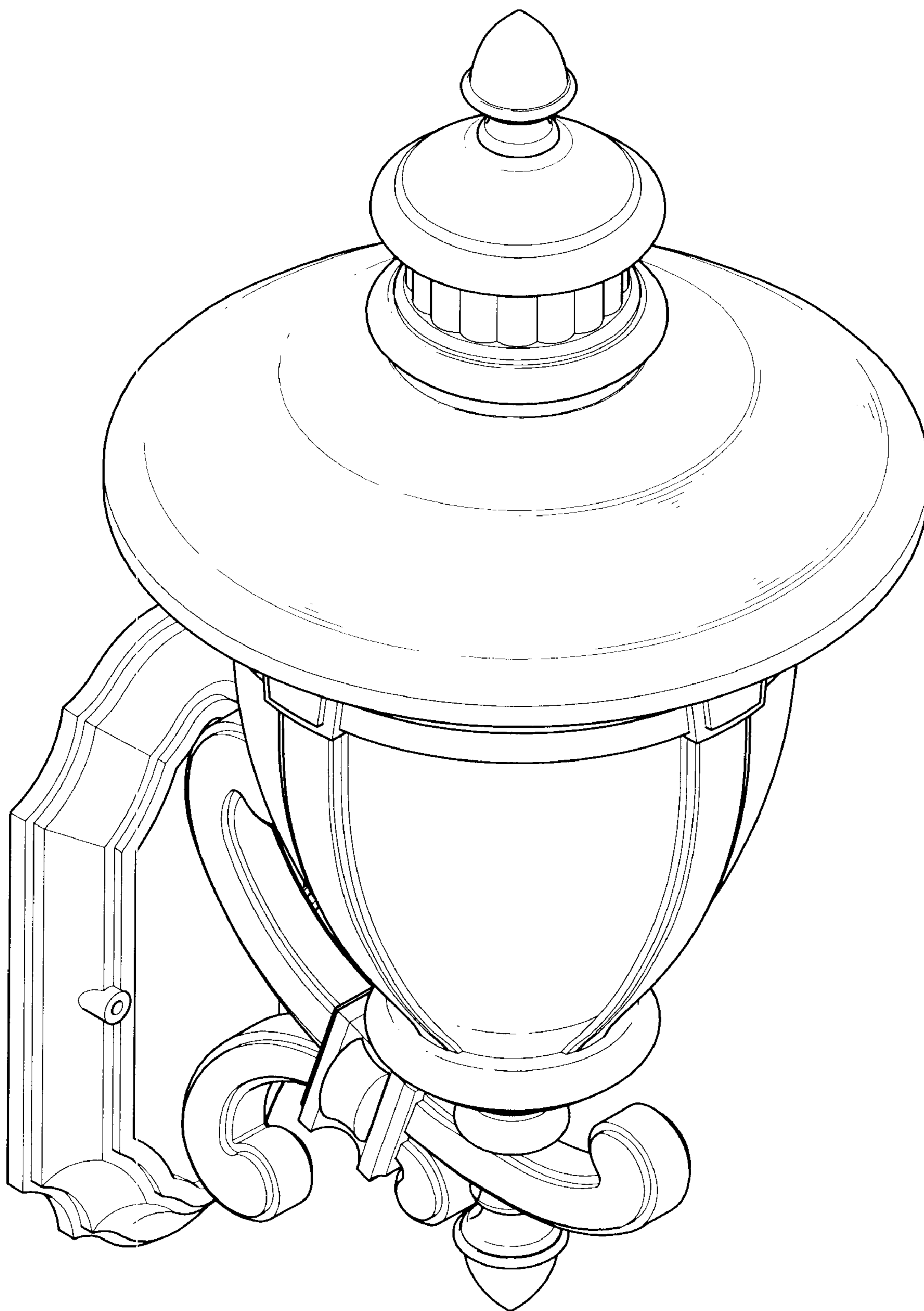


FIG. 1

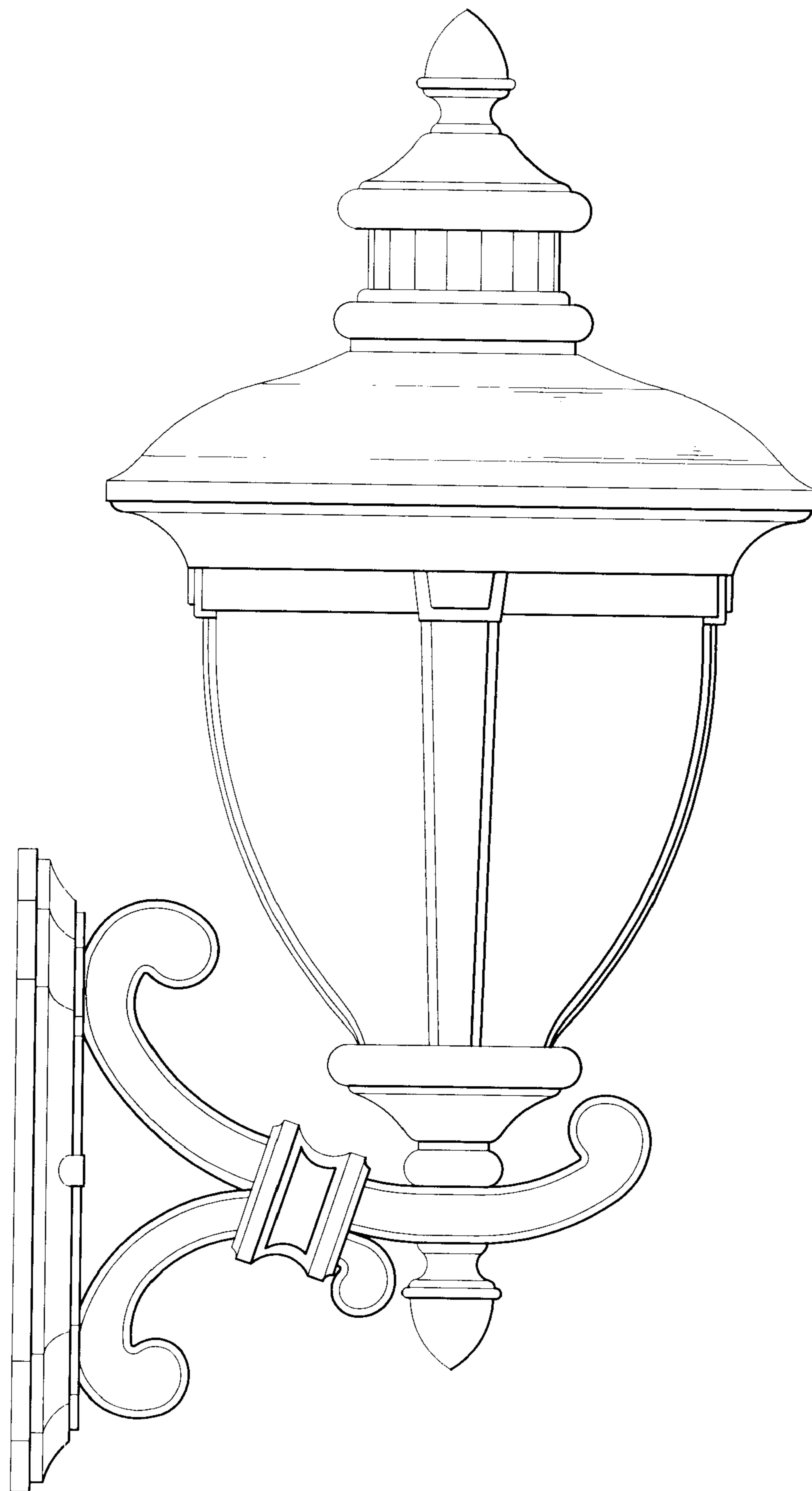


FIG. 2

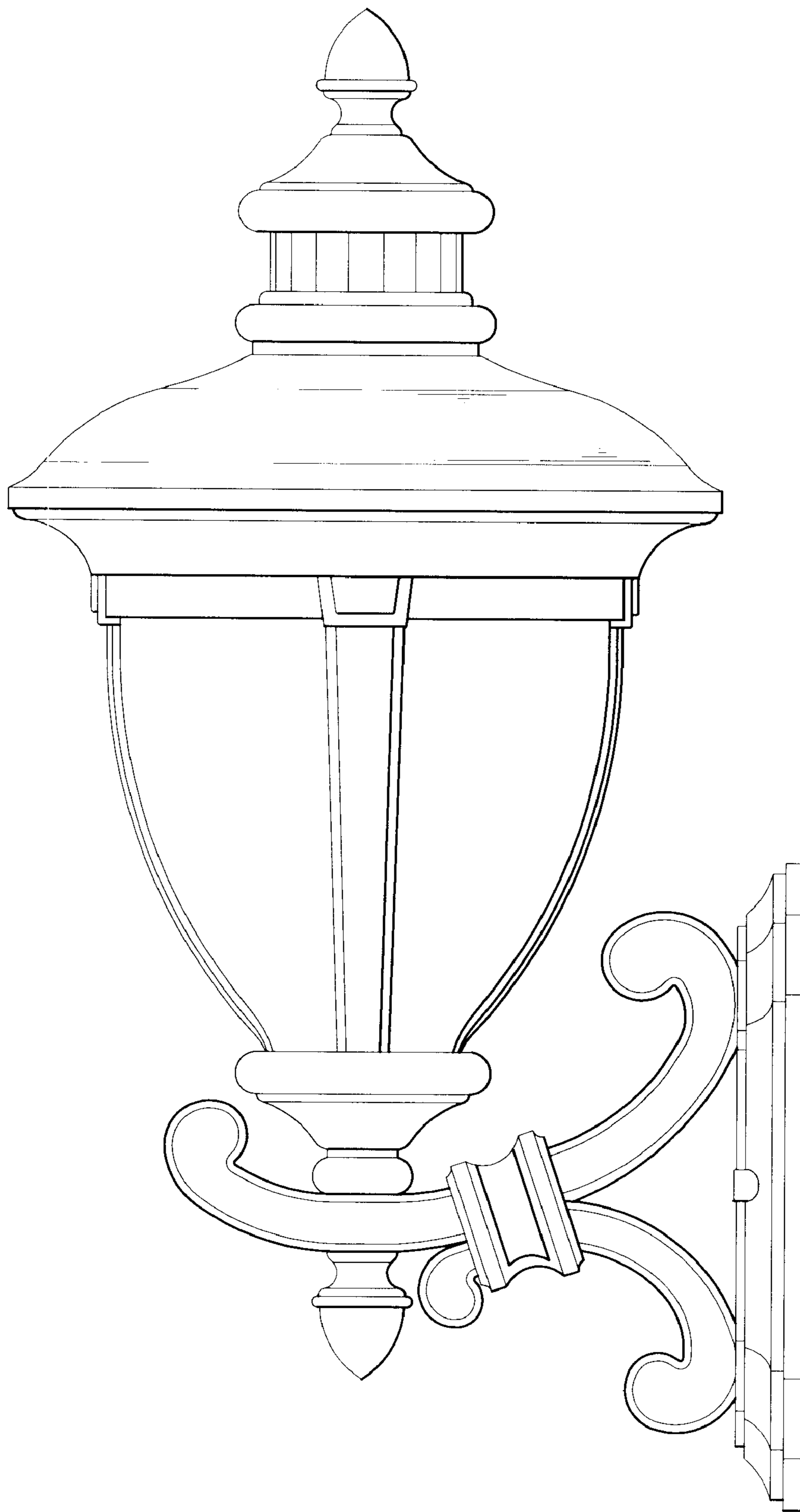


FIG. 3

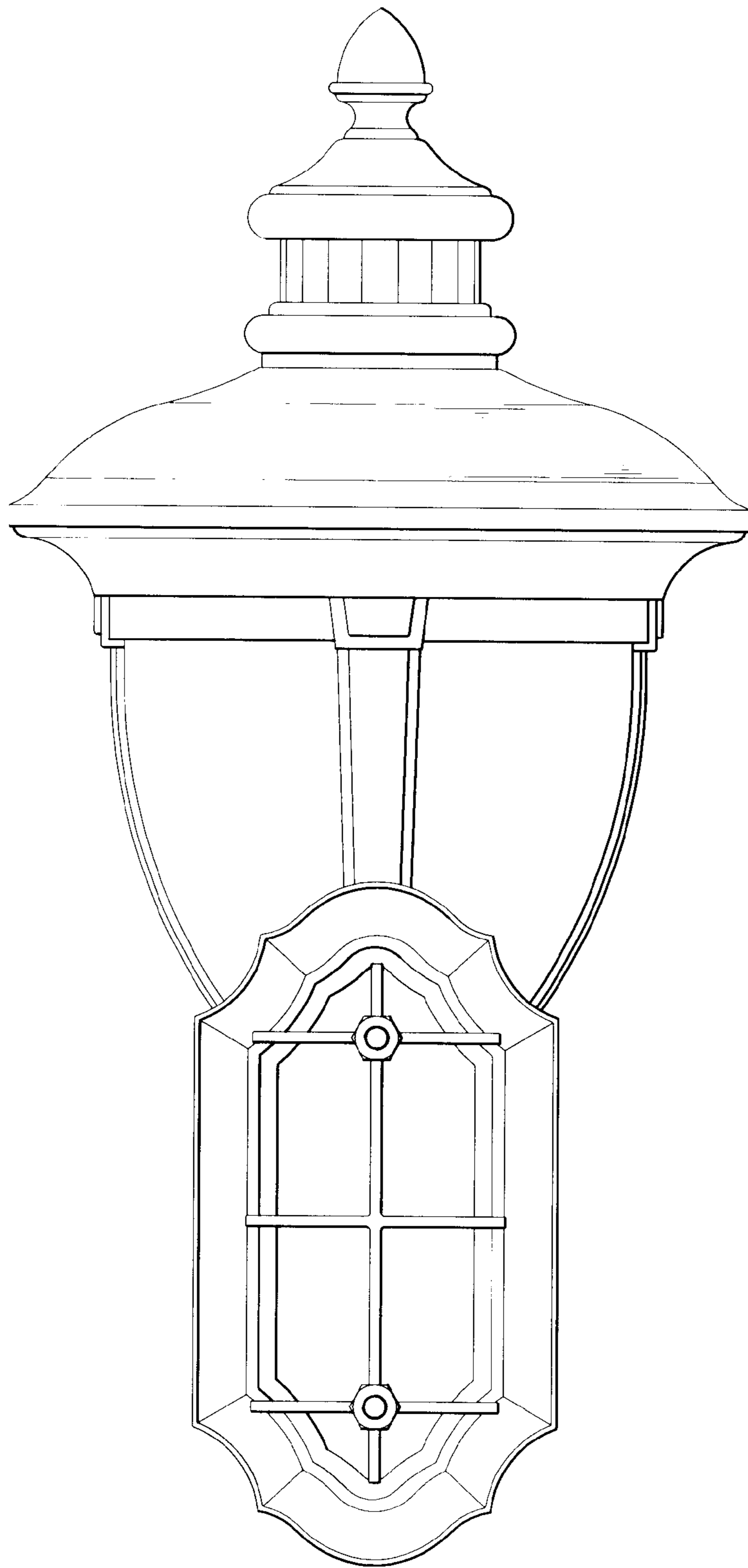


FIG. 4



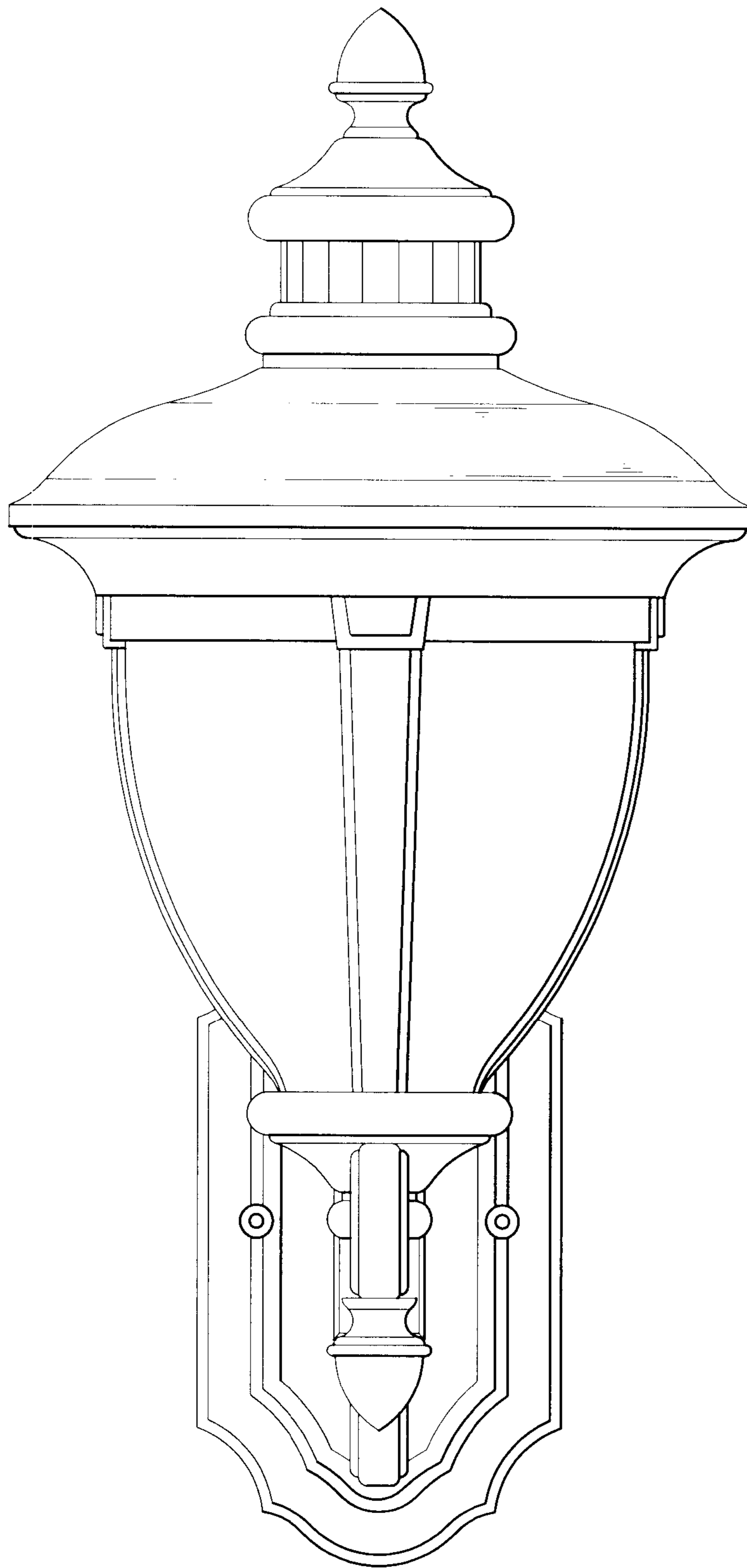


FIG. 5

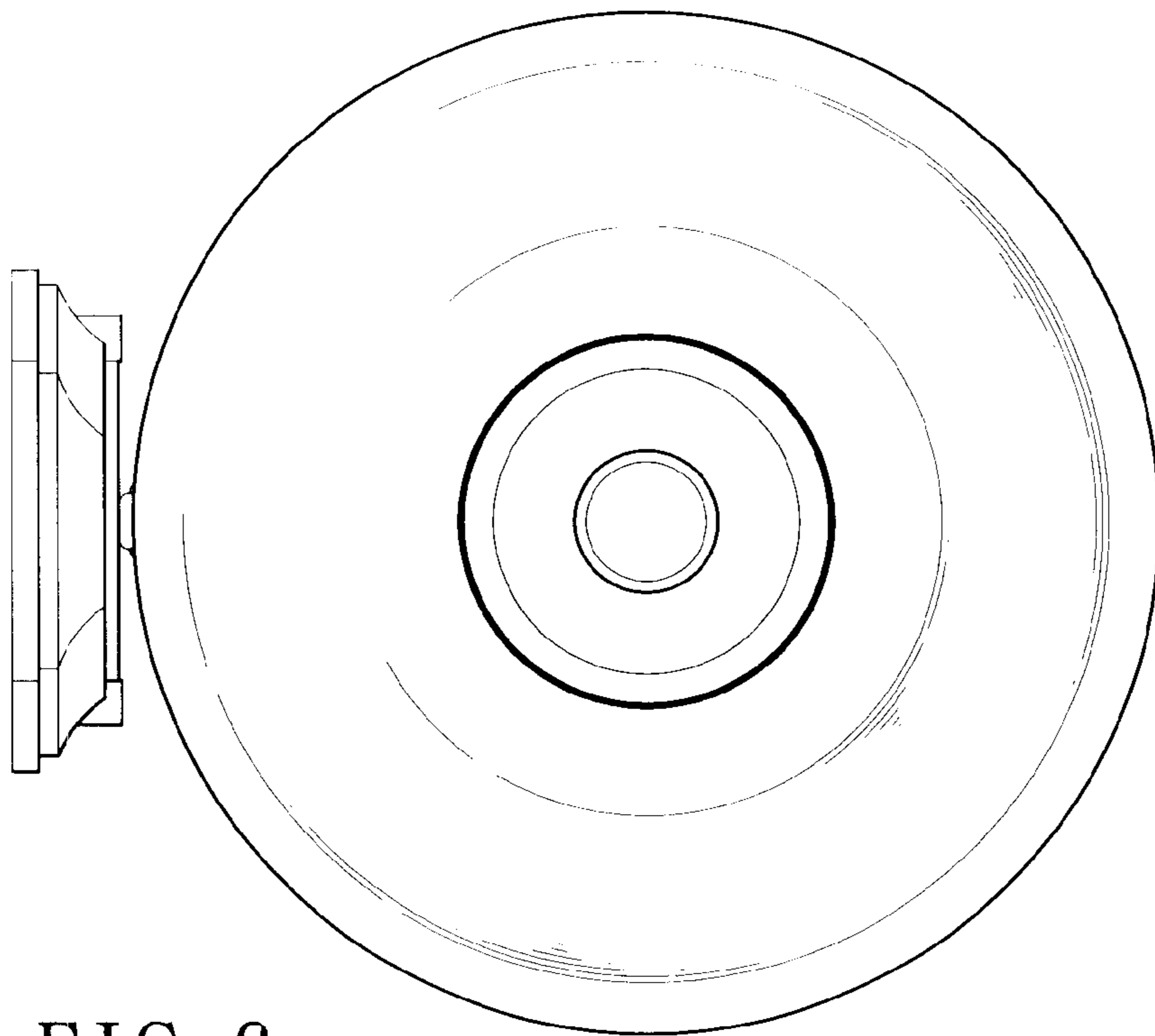


FIG. 6

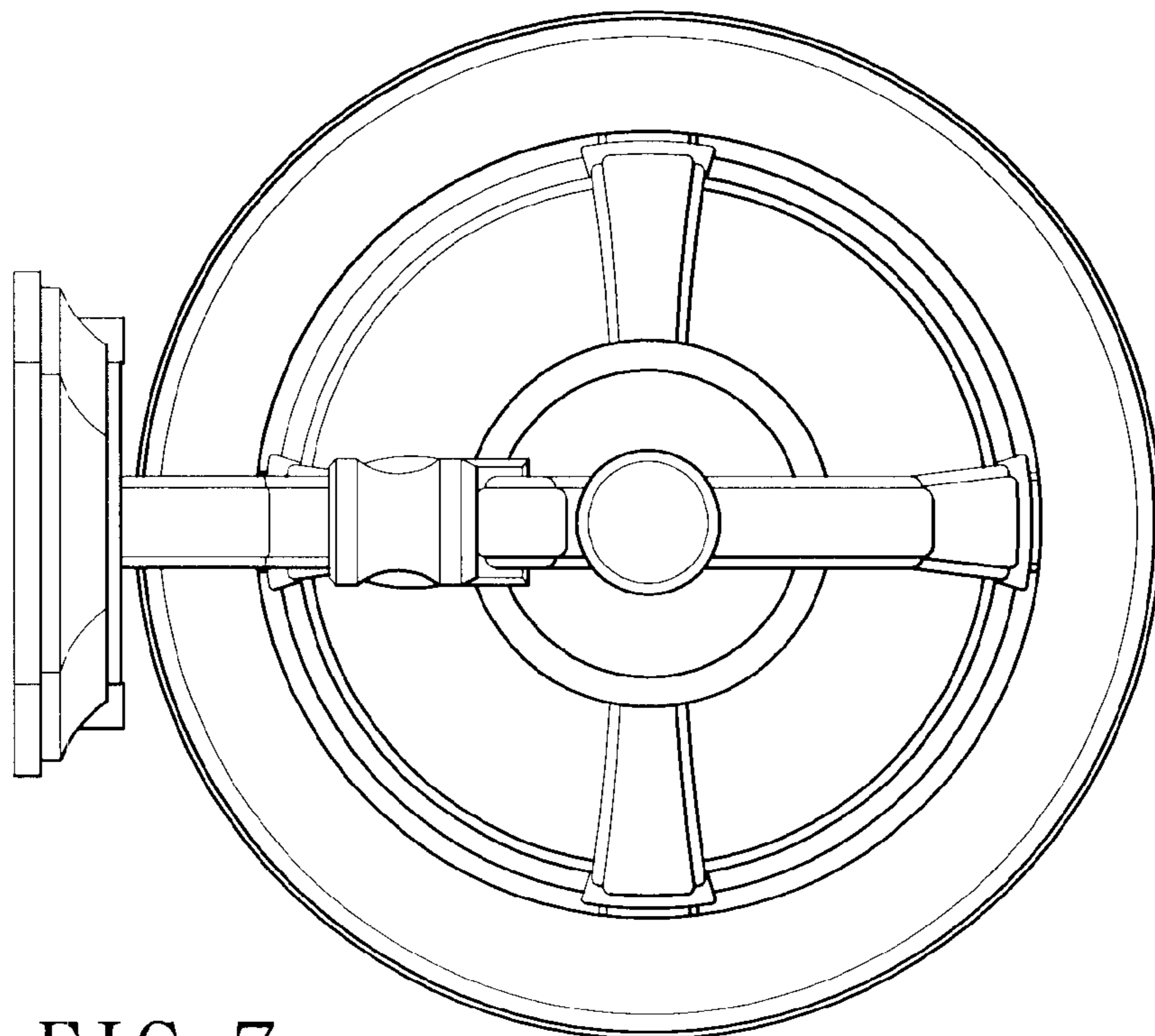


FIG. 7