



US00D534664S

(12) **United States Design Patent**  
**Geens**

(10) **Patent No.:** **US D534,664 S**

(45) **Date of Patent:** **\*\* Jan. 2, 2007**

(54) **METAL HALIDE REFLECTOR LAMP**

(75) Inventor: **Rudy Geens**, Heusden-Zolder (BE)

(73) Assignee: **Flowil International Lighting (Holding) B.V.**, Amsterdam (NL)

(\*\*) Term: **14 Years**

(21) Appl. No.: **29/192,588**

(22) Filed: **Oct. 27, 2003**

(51) **LOC (8) Cl.** ..... **26-04**

(52) **U.S. Cl.** ..... **D26/2; D26/128**

(58) **Field of Classification Search** ..... D26/1,  
D26/2, 72, 128; 313/25, 313, 315, 318, 493;  
315/53, 56-58; 362/296, 264, 307, 328  
See application file for complete search history.

(56) **References Cited**

**U.S. PATENT DOCUMENTS**

4,494,176 A \* 1/1985 Sands et al. .... 362/297  
4,651,261 A \* 3/1987 Szekacs ..... 362/309  
D433,166 S \* 10/2000 Noll ..... D26/2

D435,306 S \* 12/2000 McBride ..... D26/2  
6,600,256 B1 \* 7/2003 Van Lier et al. .... 313/313  
D498,007 S \* 11/2004 Bobel ..... D26/2  
2005/0201105 A1 \* 9/2005 Kling et al. .... 362/348

\* cited by examiner

*Primary Examiner*—Clare E Heflin

(74) *Attorney, Agent, or Firm*—Brooks Kushman P.C.

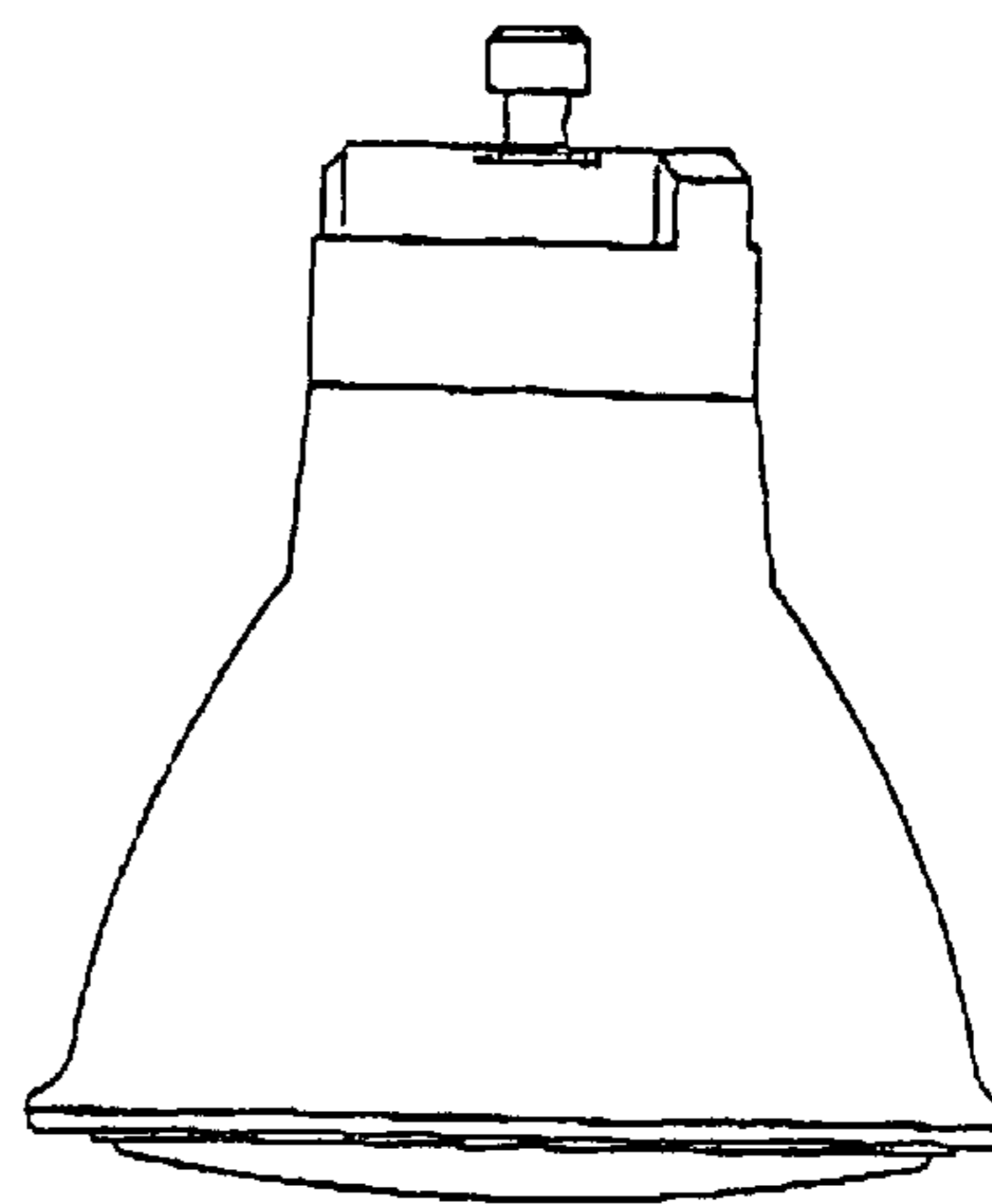
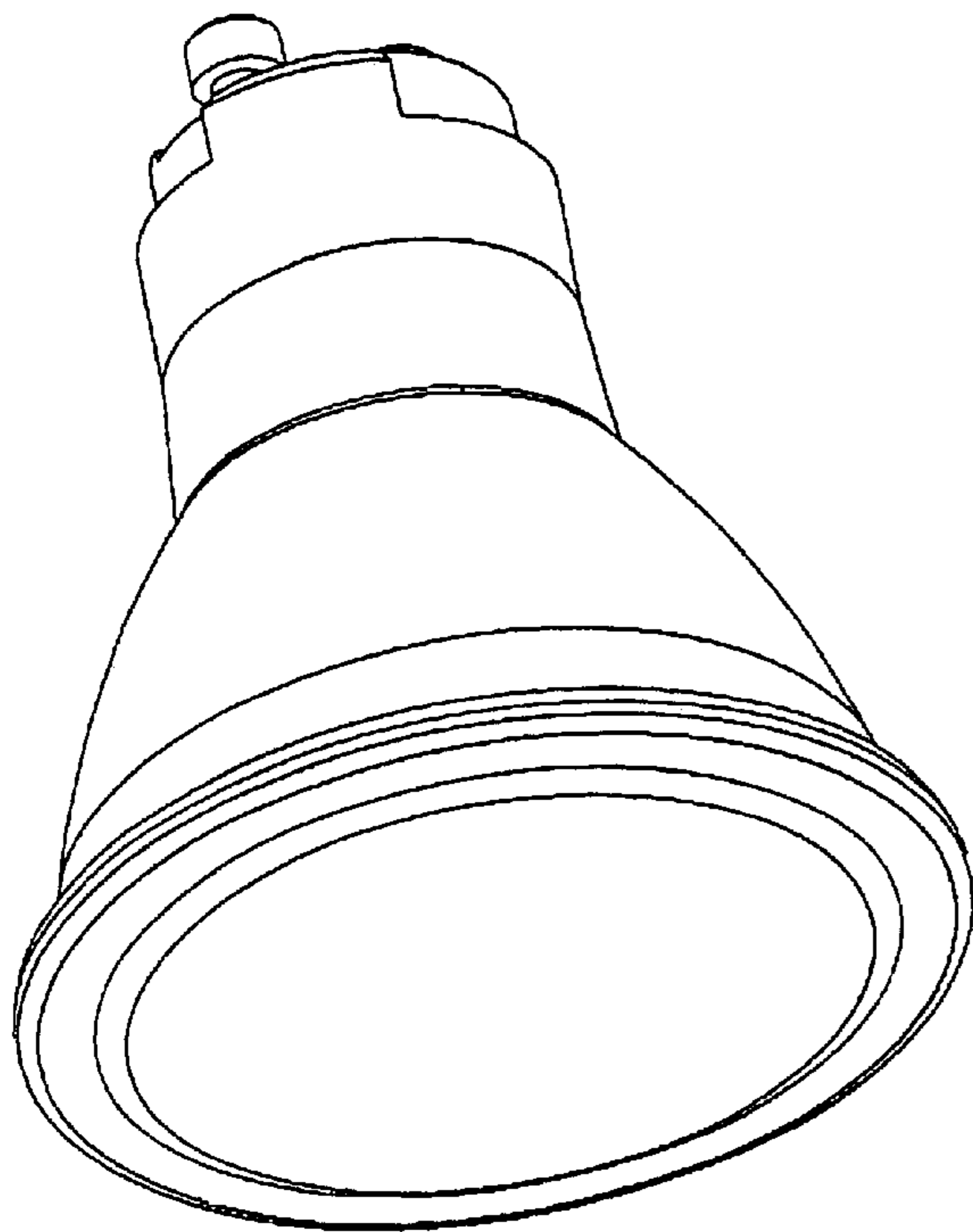
(57) **CLAIM**

The ornamental design for a metal halide reflector lamp, as shown and described.

**DESCRIPTION**

FIG. 1 is a perspective view of the lamp;  
FIG. 2 is a side view of the lamp according to FIG. 1;  
FIG. 3 is a front view of the lamp according to FIG. 1;  
FIG. 4 is a rear view of the lamp according to FIG. 1;  
FIG. 5 is a perspective view of an alternative embodiment of the lamp;  
FIG. 6 is a side view of the lamp according to FIG. 5;  
FIG. 7 is a front view of the lamp according to FIG. 5; and,  
FIG. 8 is a rear view of the lamp according to FIG. 5.

**1 Claim, 4 Drawing Sheets**



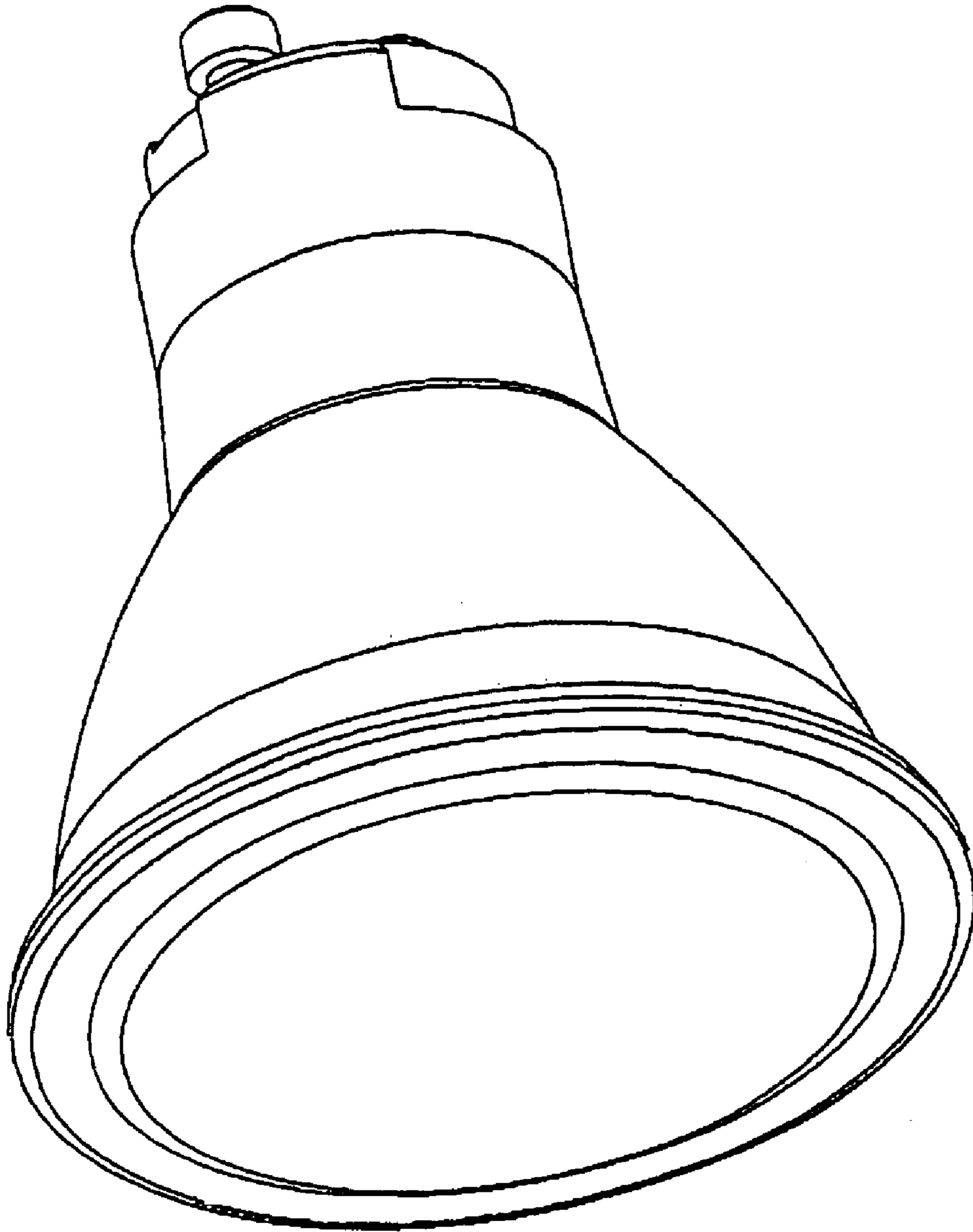


FIGURE 1

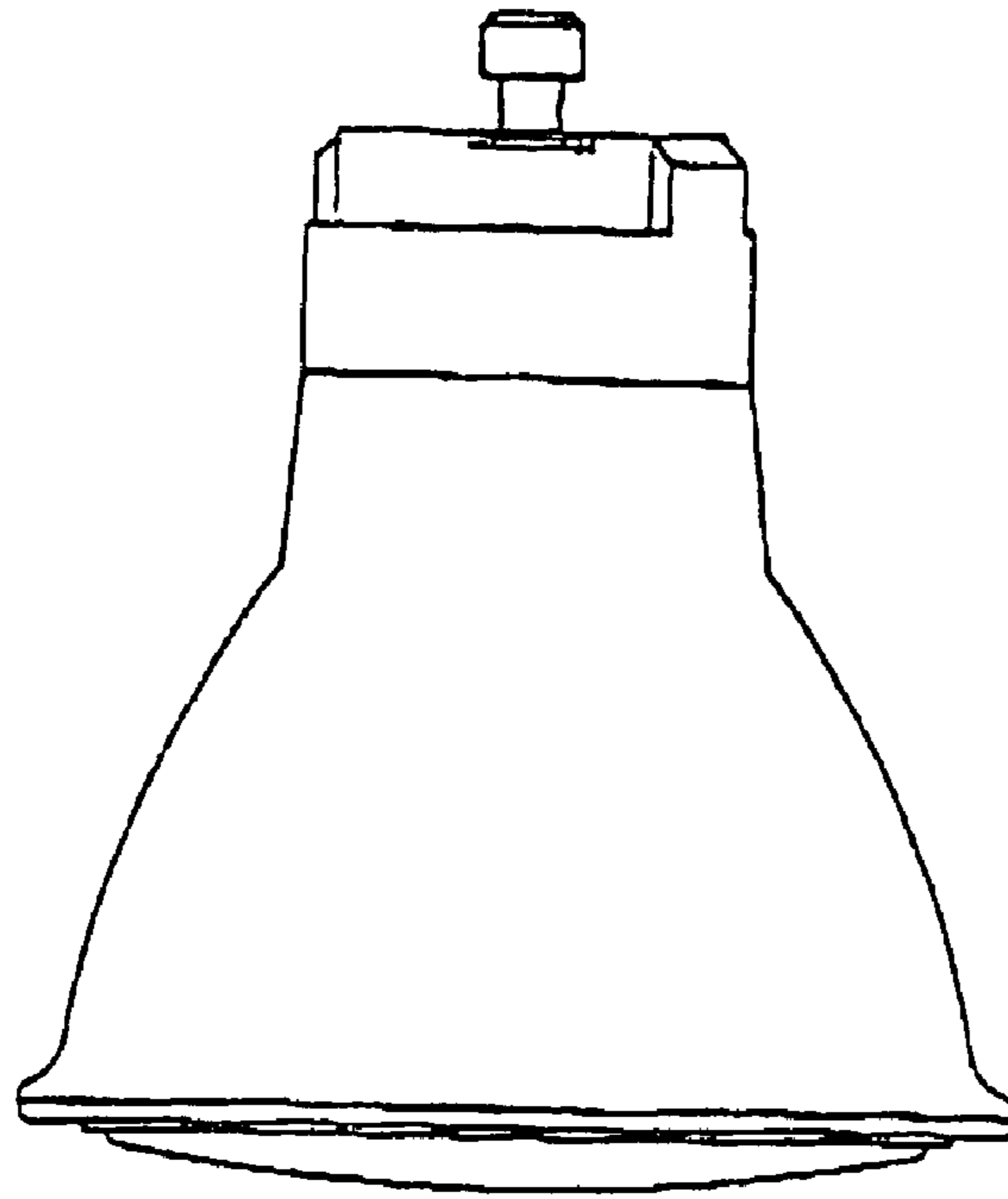


FIGURE 2

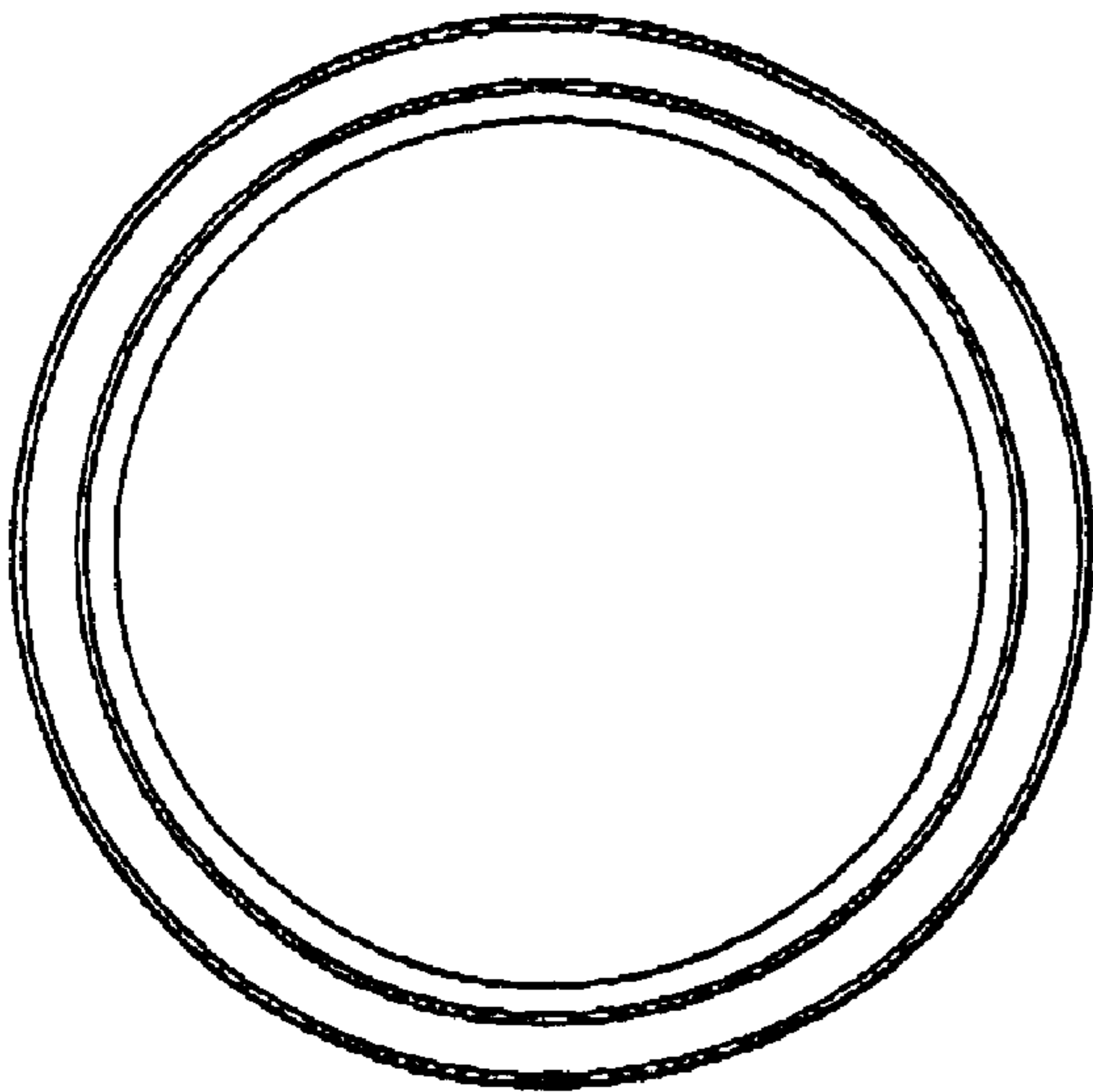


FIGURE 3

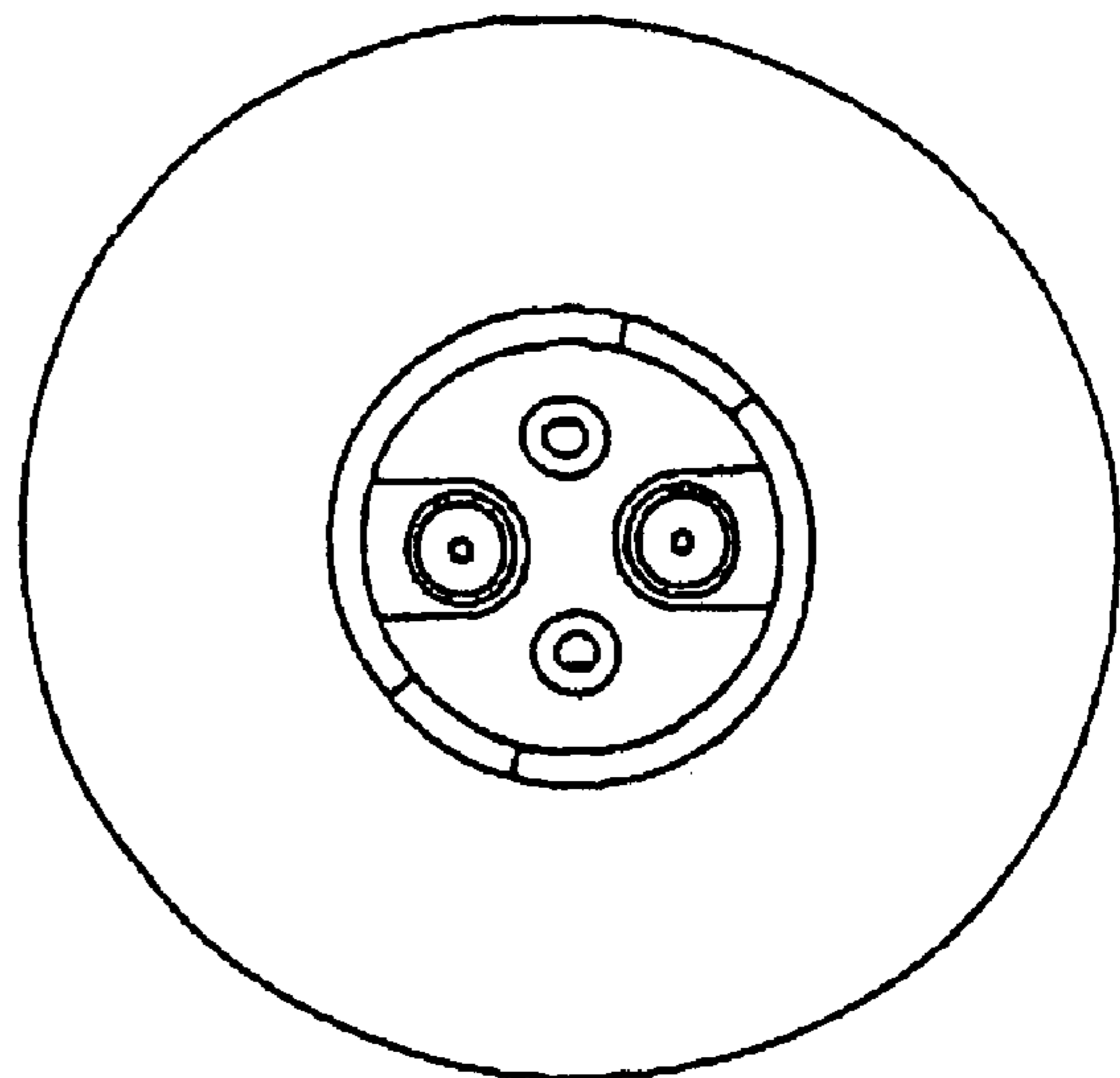


FIGURE 4

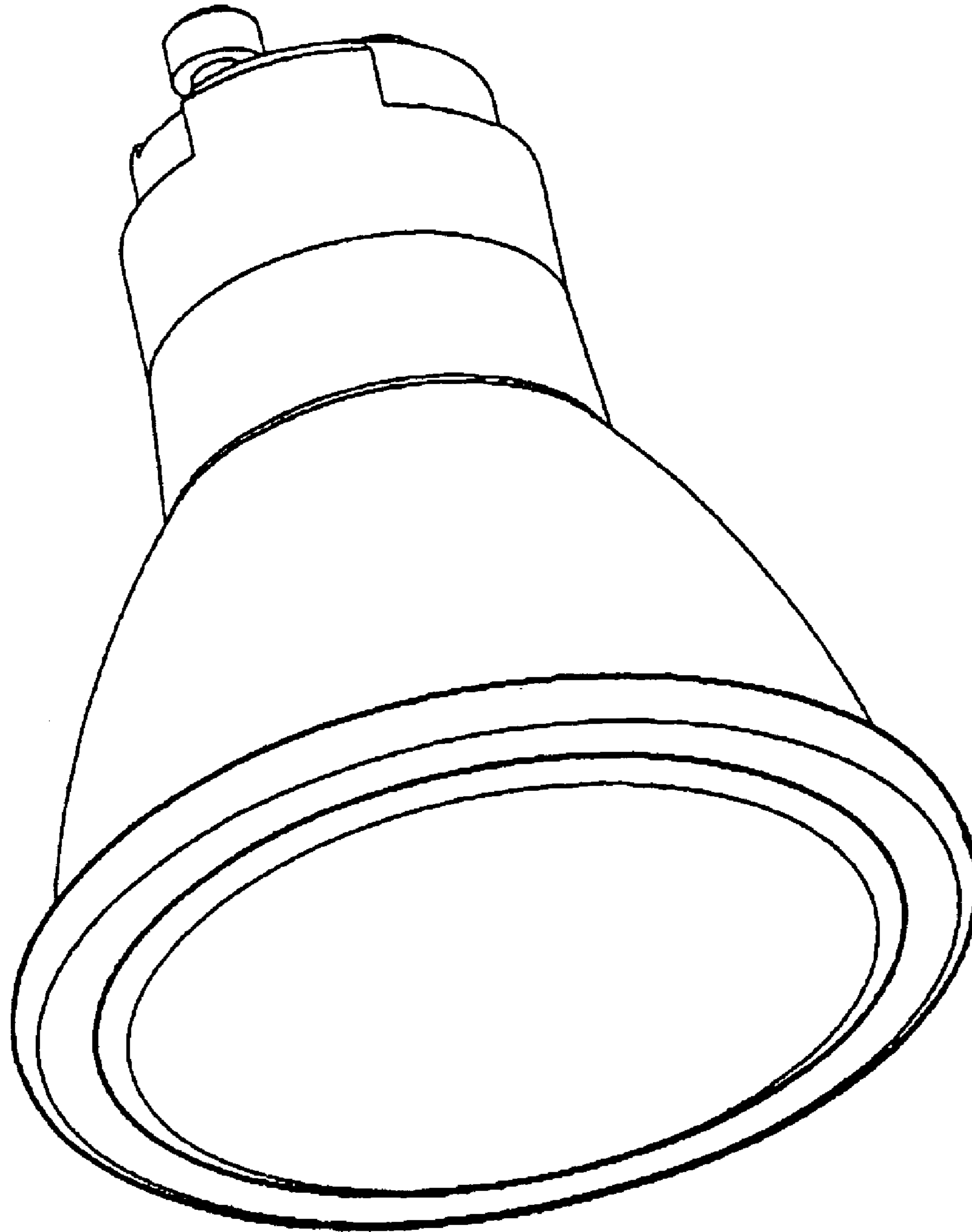


FIGURE 5

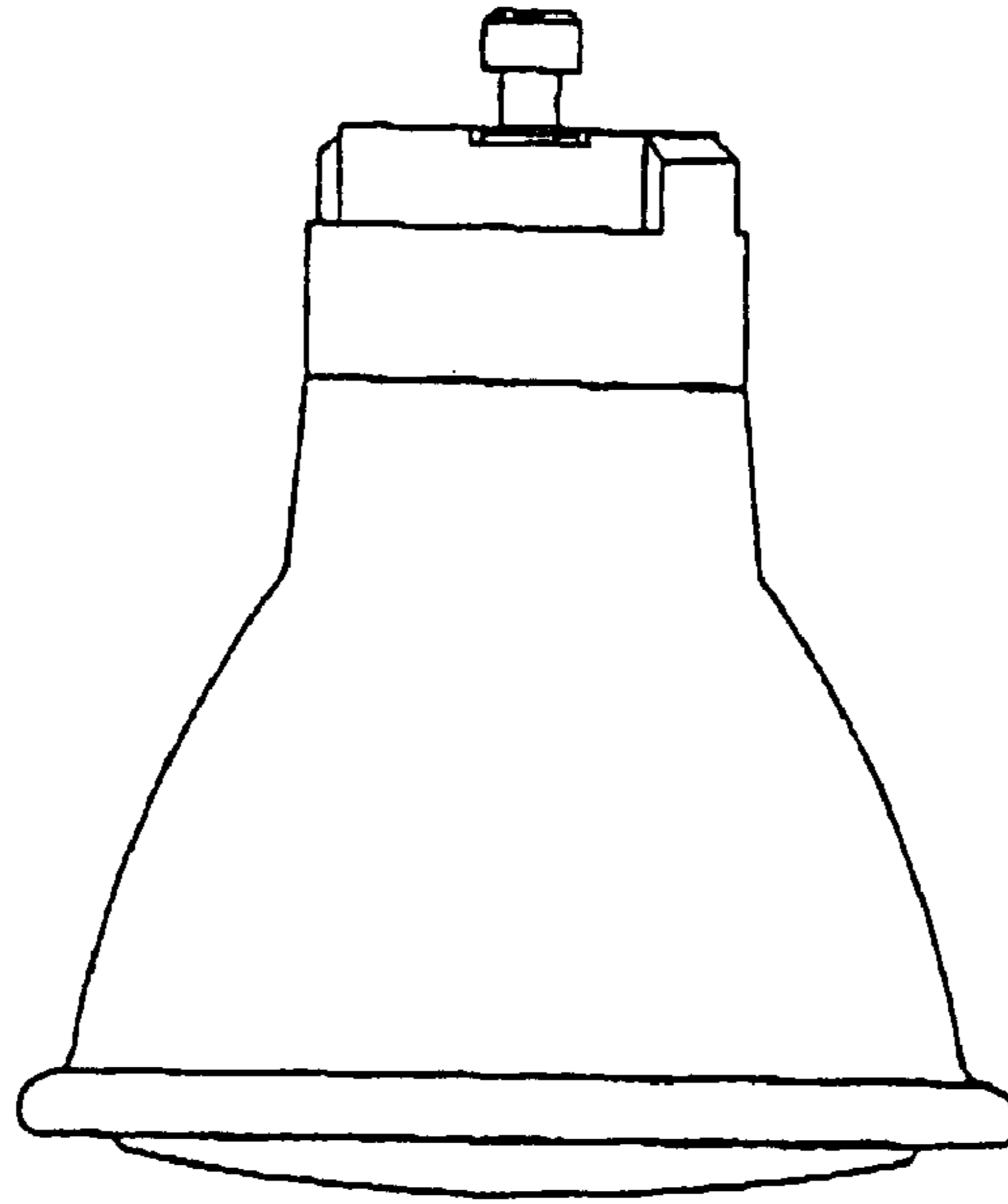


FIGURE 6

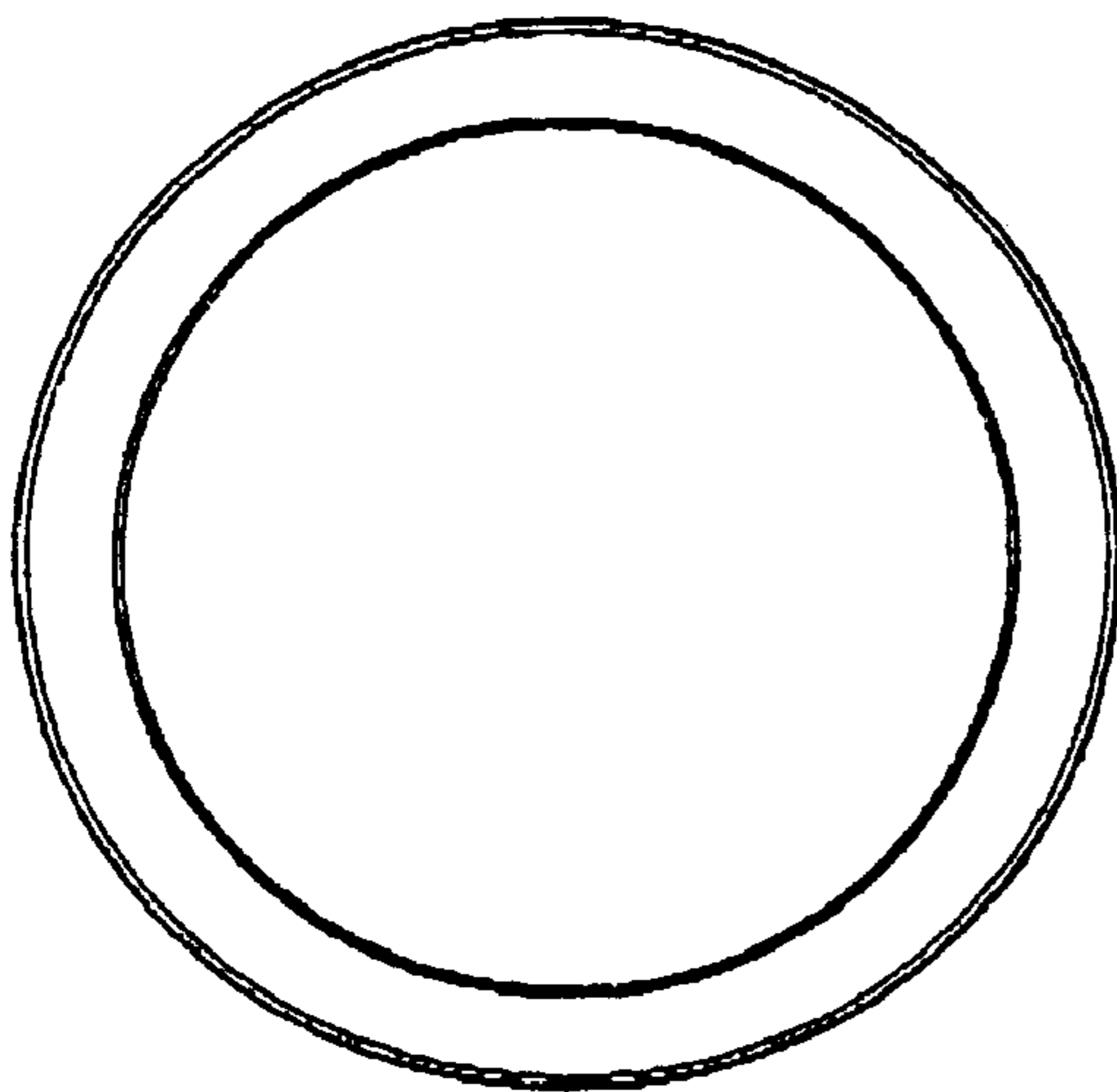


FIGURE 7

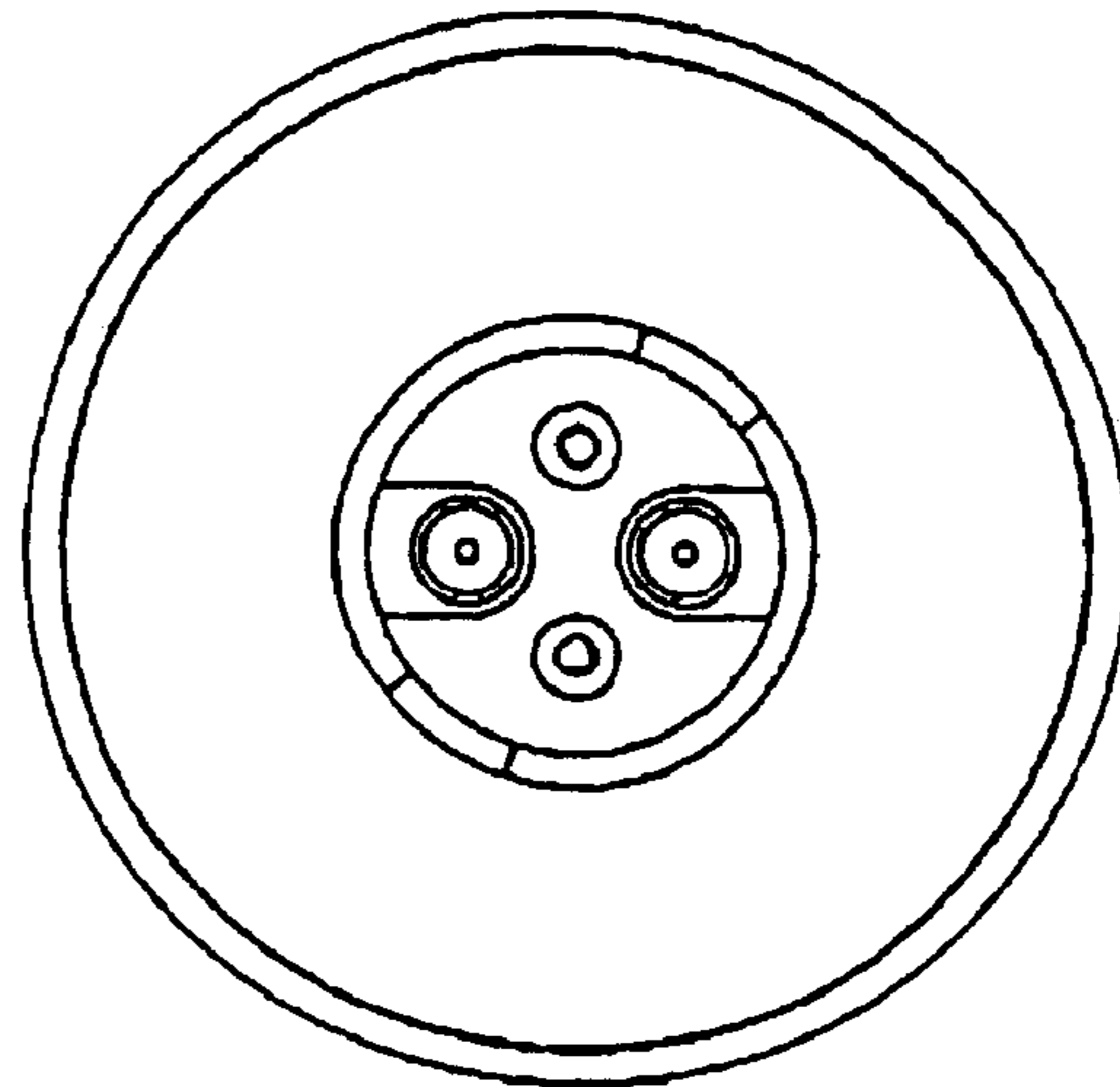


FIGURE 8