



US00D534663S

(12) **United States Design Patent** (10) **Patent No.:** **US D534,663 S**
Male (45) **Date of Patent:** **** Jan. 2, 2007**

(54) **TERRA-COTTA BARDEAU FACING PANEL**

(75) Inventor: **Phillippe Male**, Toulouse (FR)

(73) Assignee: **Terreal**, Courbevoie (FR)

(**) Term: **14 Years**

(21) Appl. No.: **29/251,496**

(22) Filed: **Jan. 10, 2006**

Related U.S. Application Data

(62) Division of application No. 29/206,253, filed on May 28, 2004, now Pat. No. Des. 523,971.

(30) **Foreign Application Priority Data**

Nov. 28, 2003 (EM) 000107552

(51) **LOC (8) Cl.** **25-01**

(52) **U.S. Cl.** **D25/139**

(58) **Field of Classification Search** D25/138,
D25/136, 139; 52/287.1, 716.1, 716.8, 718.04,
52/518, 545, 546

See application file for complete search history.

(56) **References Cited**

U.S. PATENT DOCUMENTS

D368,782 S *	4/1996	Noone et al.	D25/139
D372,545 S *	8/1996	Schultz	D25/138
D448,865 S *	10/2001	Manning	D25/141
6,301,856 B1 *	10/2001	Nasi	52/712
6,415,574 B1 *	7/2002	Beck	52/519
6,682,814 B1 *	1/2004	Hendrickson et al.	428/326

* cited by examiner

Primary Examiner—Doris Clark

(74) *Attorney, Agent, or Firm*—Sughrue Mion, PLLC

(57) **CLAIM**

The ornamental design for a terra-cotta bardeau facing panel, as shown and described.

DESCRIPTION

FIG. 1 is an end view of a terra-cotta bardeau panel, the opposite end being a mirror image thereof;

FIG. 2 is a perspective view of the top, front and one end thereof;

FIG. 3 is a perspective view of the rear, bottom and one end thereof;

FIG. 4 is an end view according to a second embodiment, the opposite end view being a mirror image thereof;

FIG. 5 is a perspective view of the top, front and one end thereof;

FIG. 6 is a perspective view of the bottom, rear and one end thereof;

FIG. 7 is an end view according to a third embodiment, the opposite end being a mirror image thereof;

FIG. 8 is a perspective view of the top, front and one end thereof;

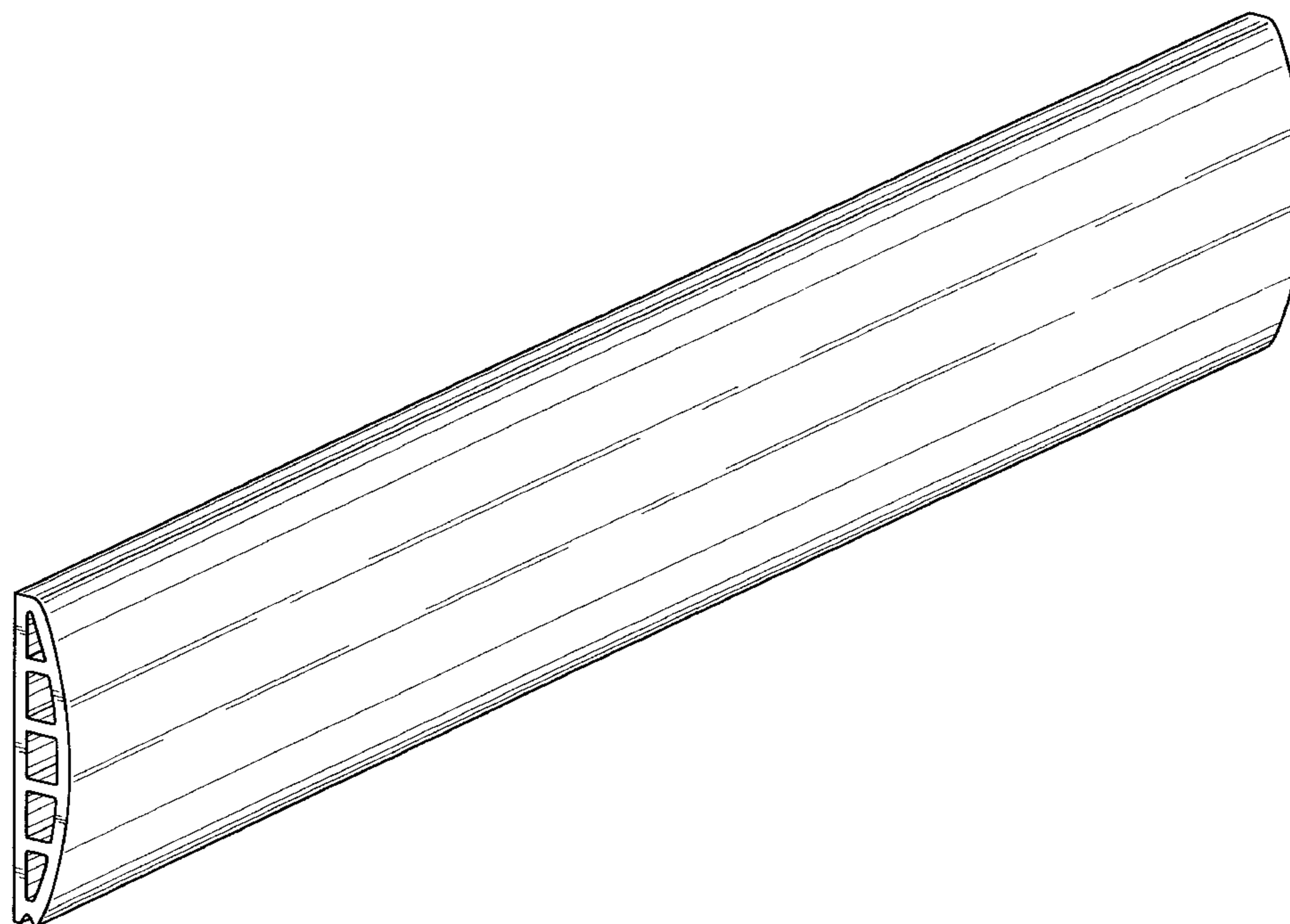
FIG. 9 is a perspective view of the bottom, rear and one end thereof;

FIG. 10 is an end view according to an fourth embodiment, the opposite end being a mirror image thereof;

FIG. 11 is a perspective view of the top, front and one end thereof; and,

FIG. 12 is a perspective view of the bottom, rear and one end thereof.

1 Claim, 12 Drawing Sheets



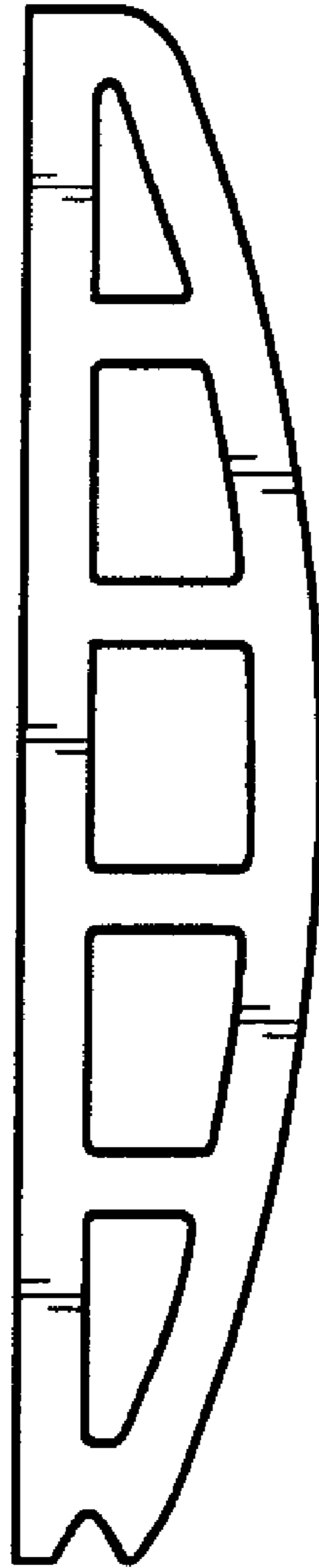


Fig. 1

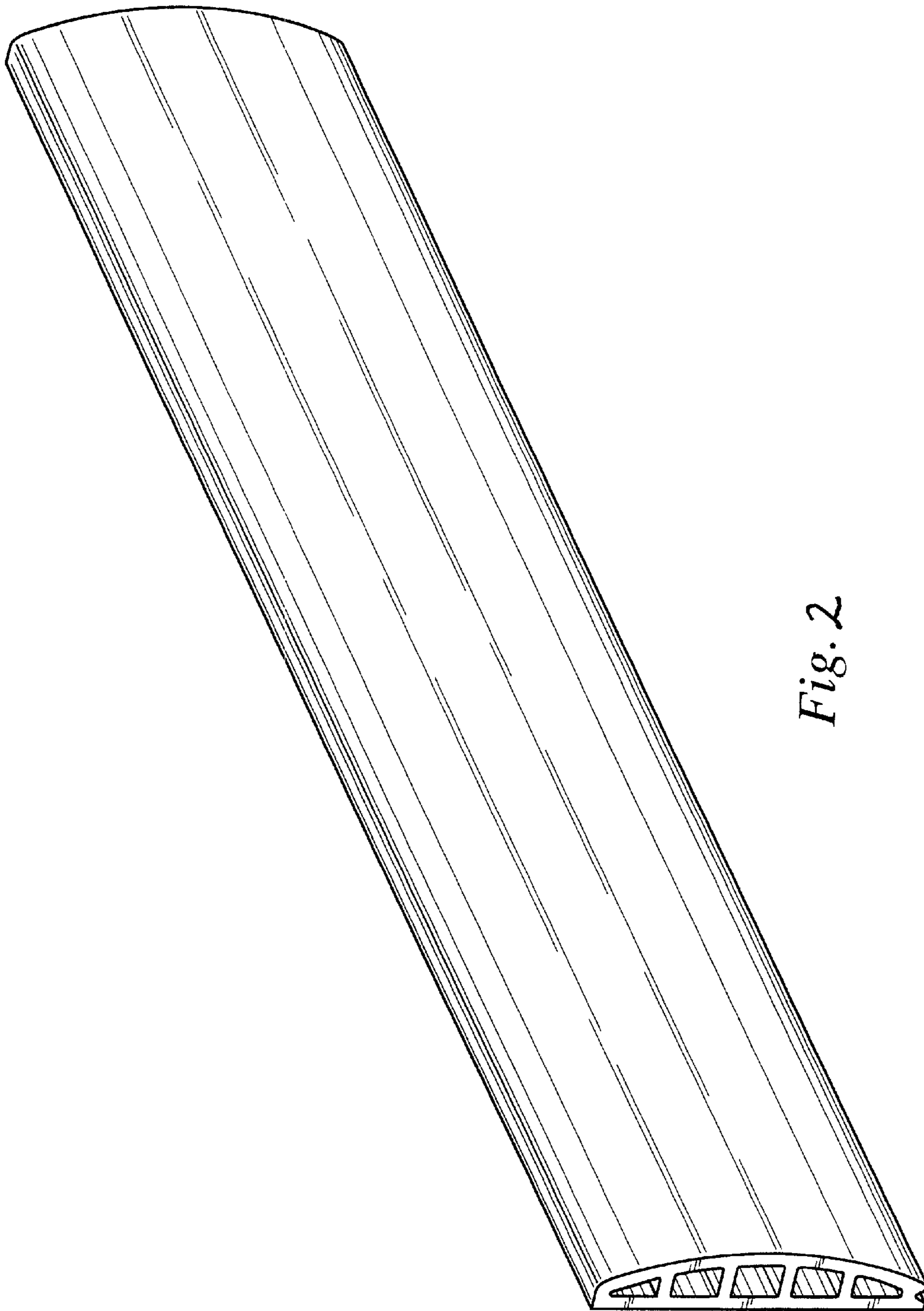


Fig. 2

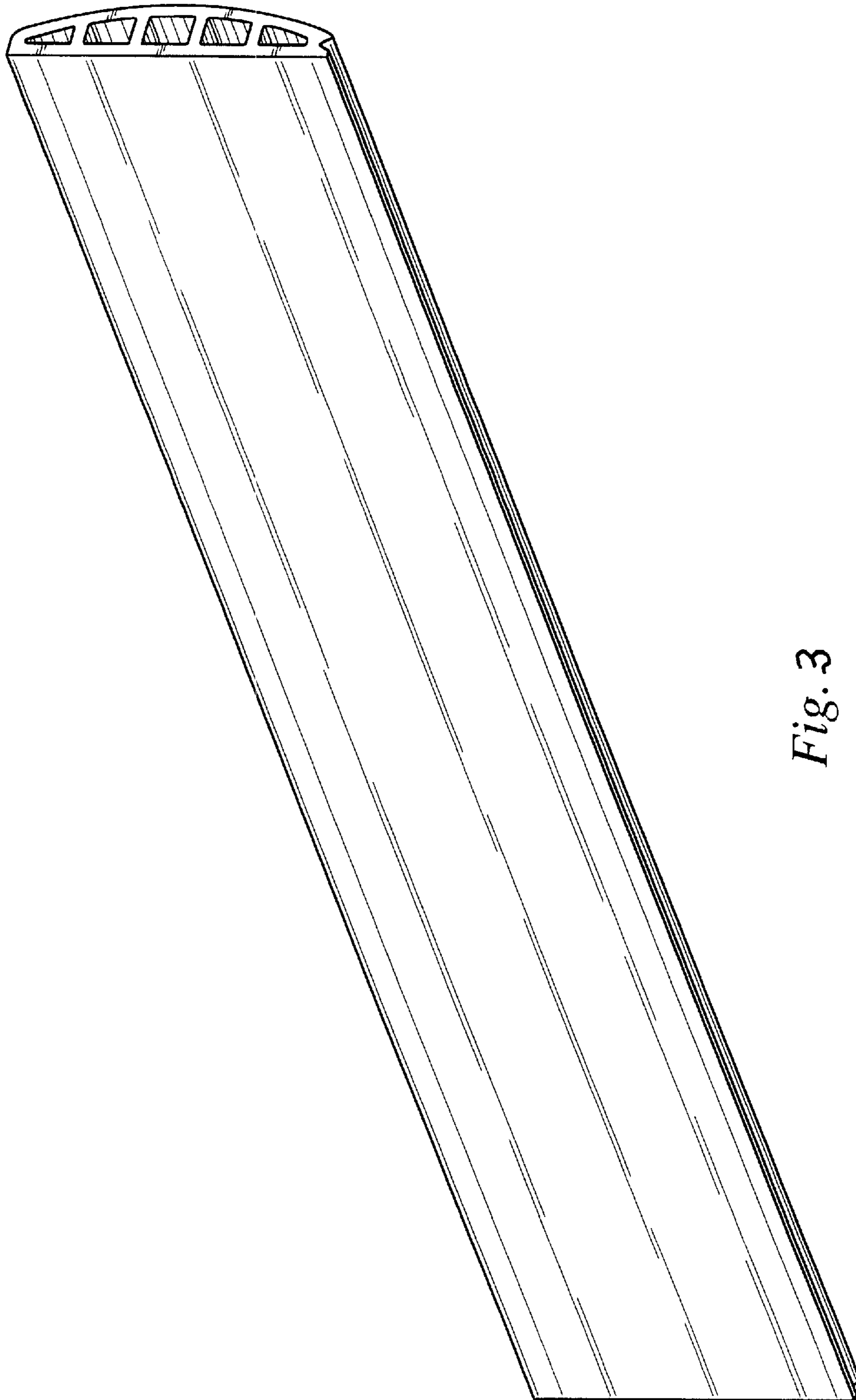


Fig. 3

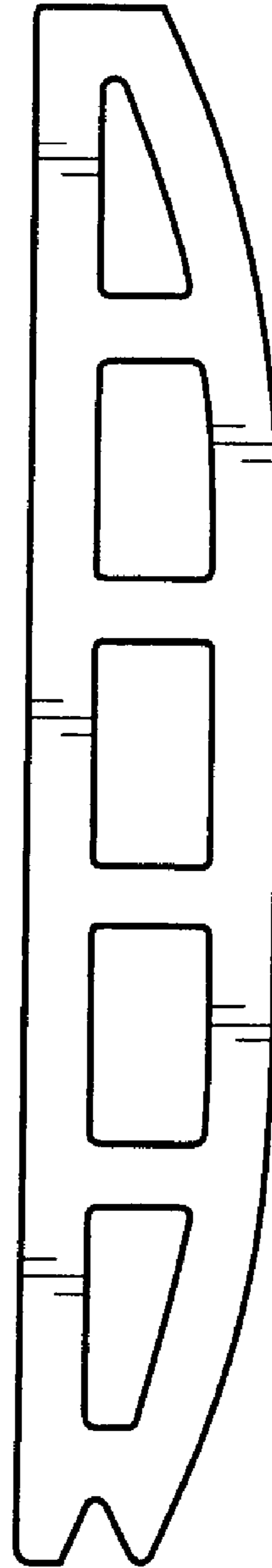


Fig. 4

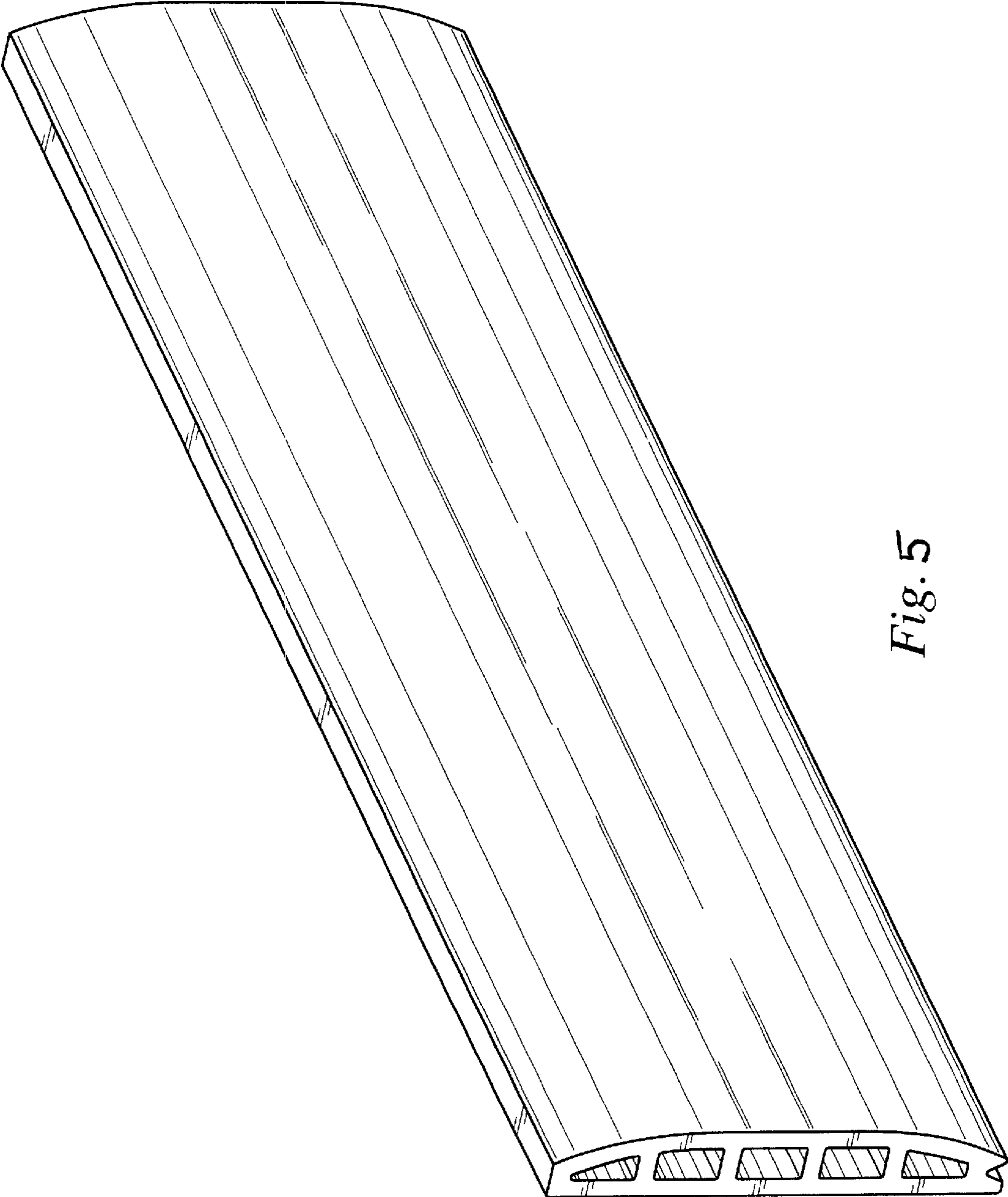


Fig. 5

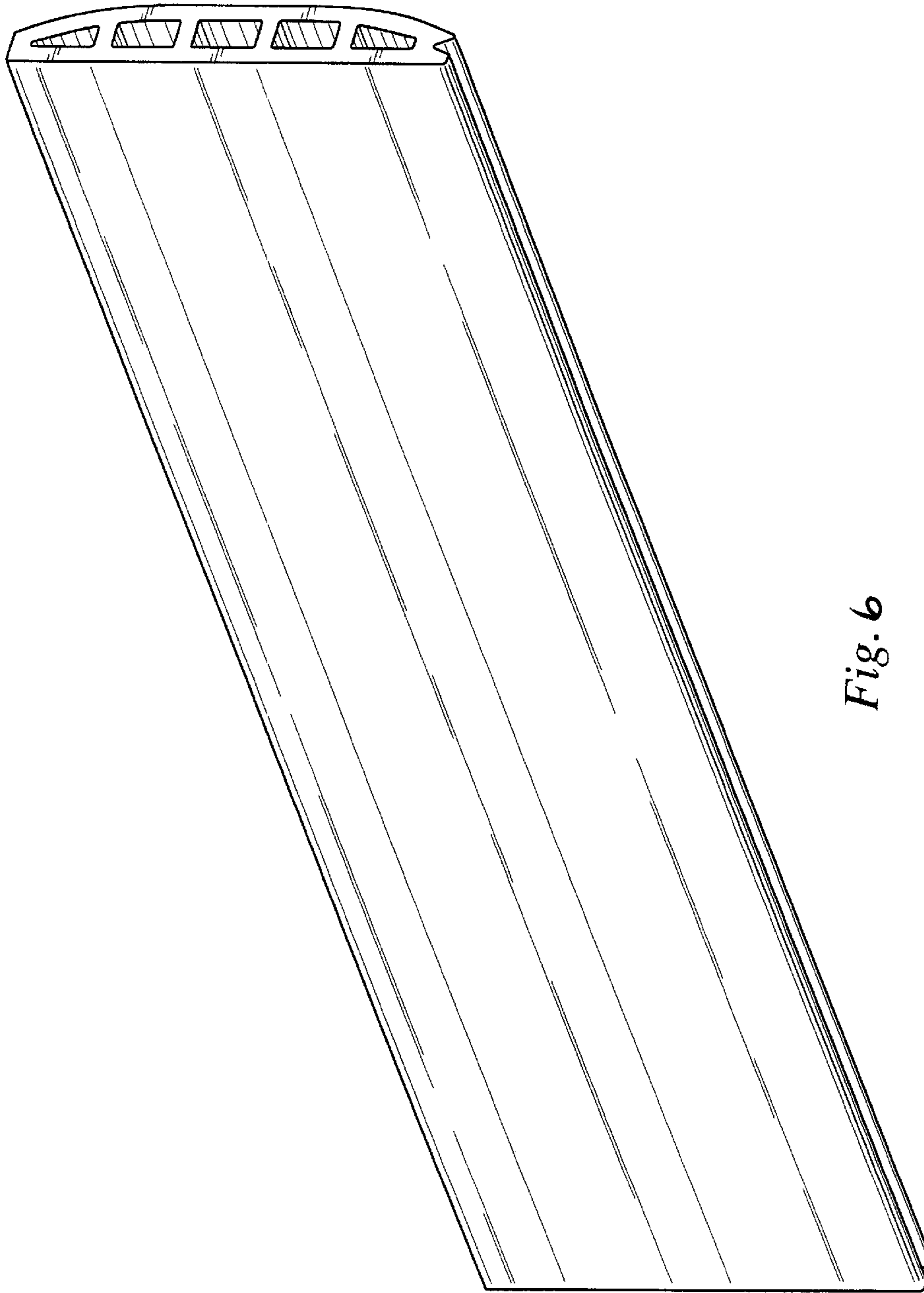


Fig. 6

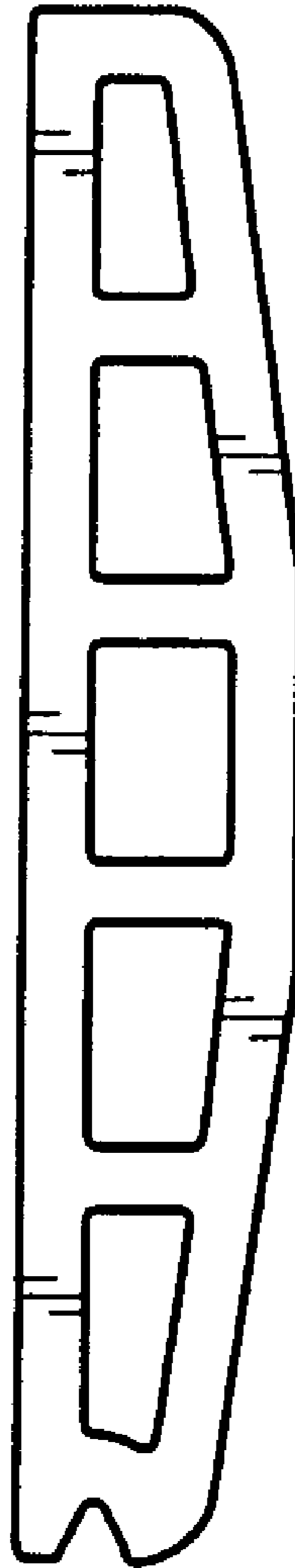


Fig. 7

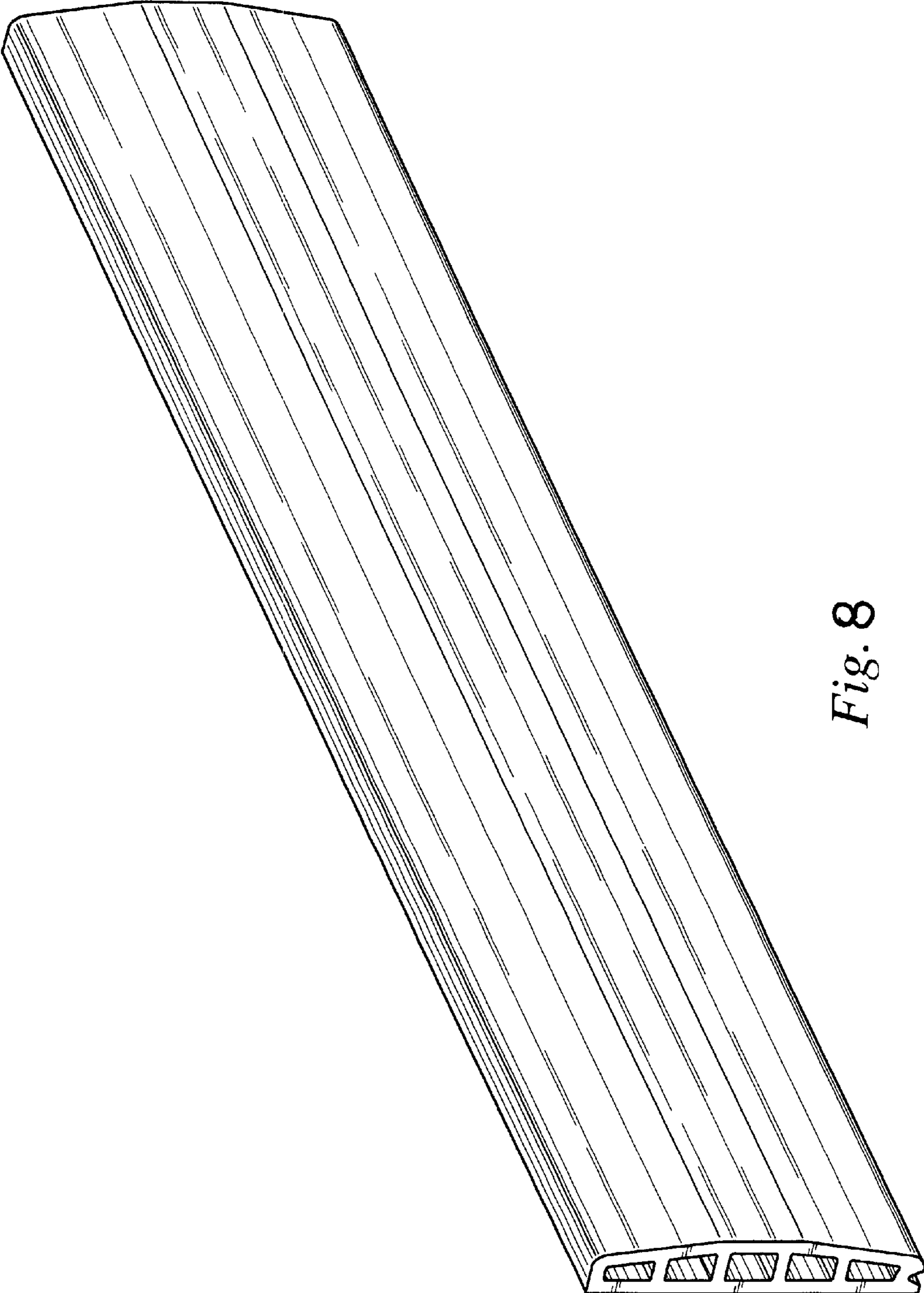


Fig. 8

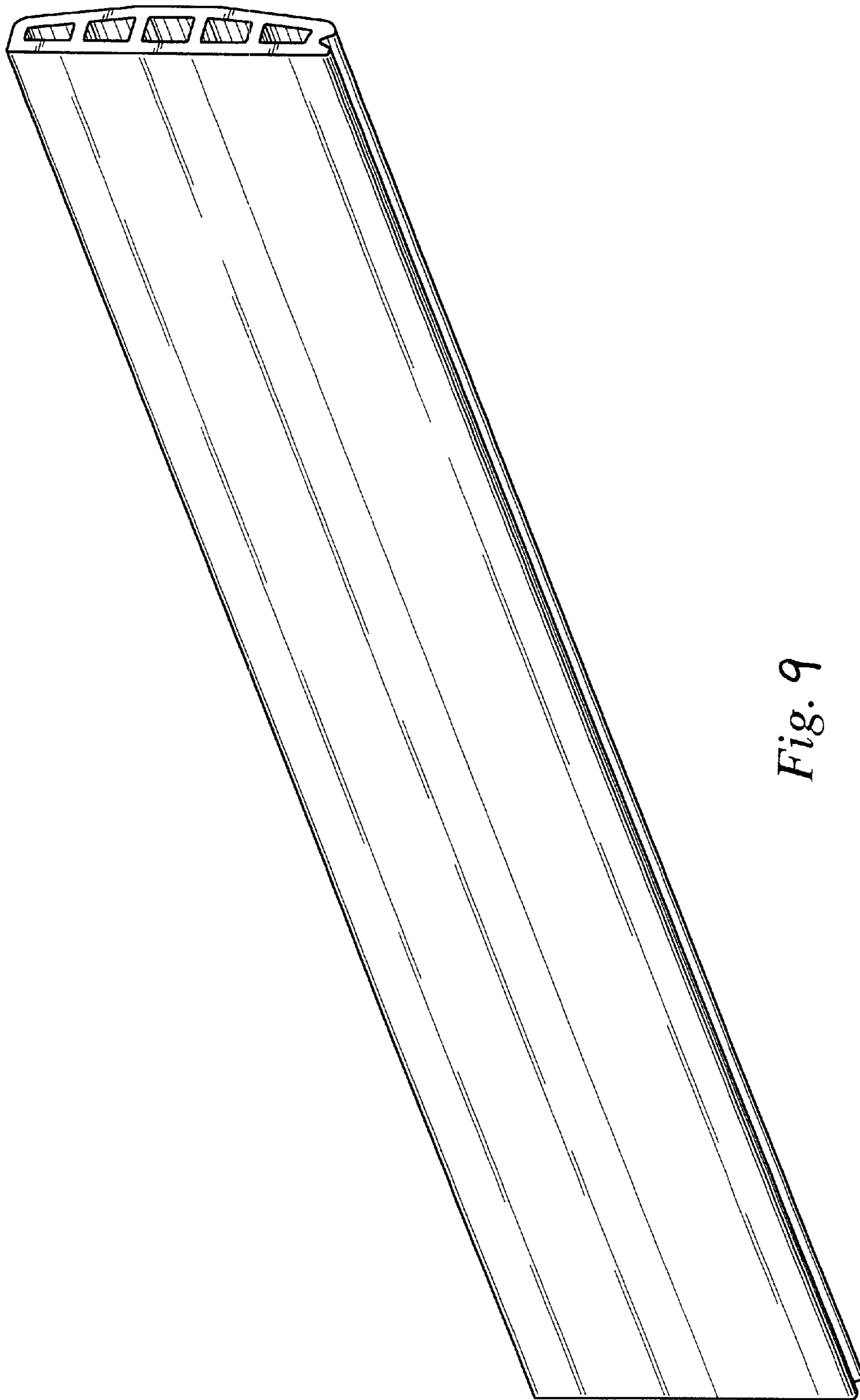


Fig. 9

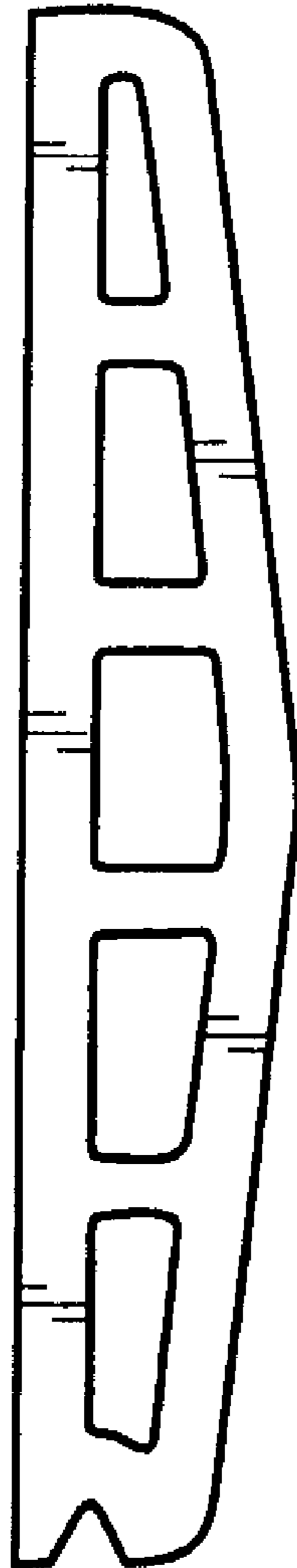


Fig. 10

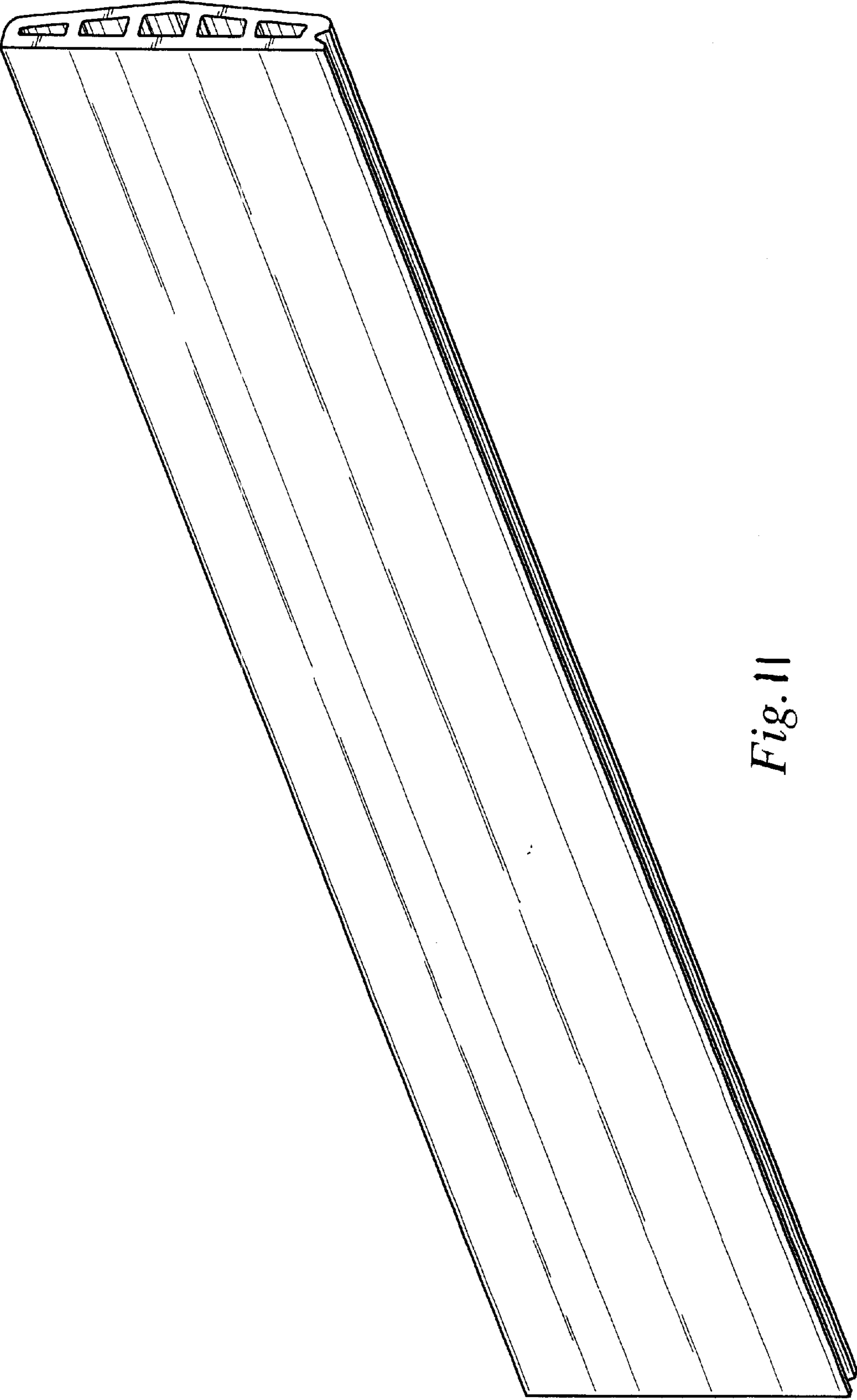


Fig. 11

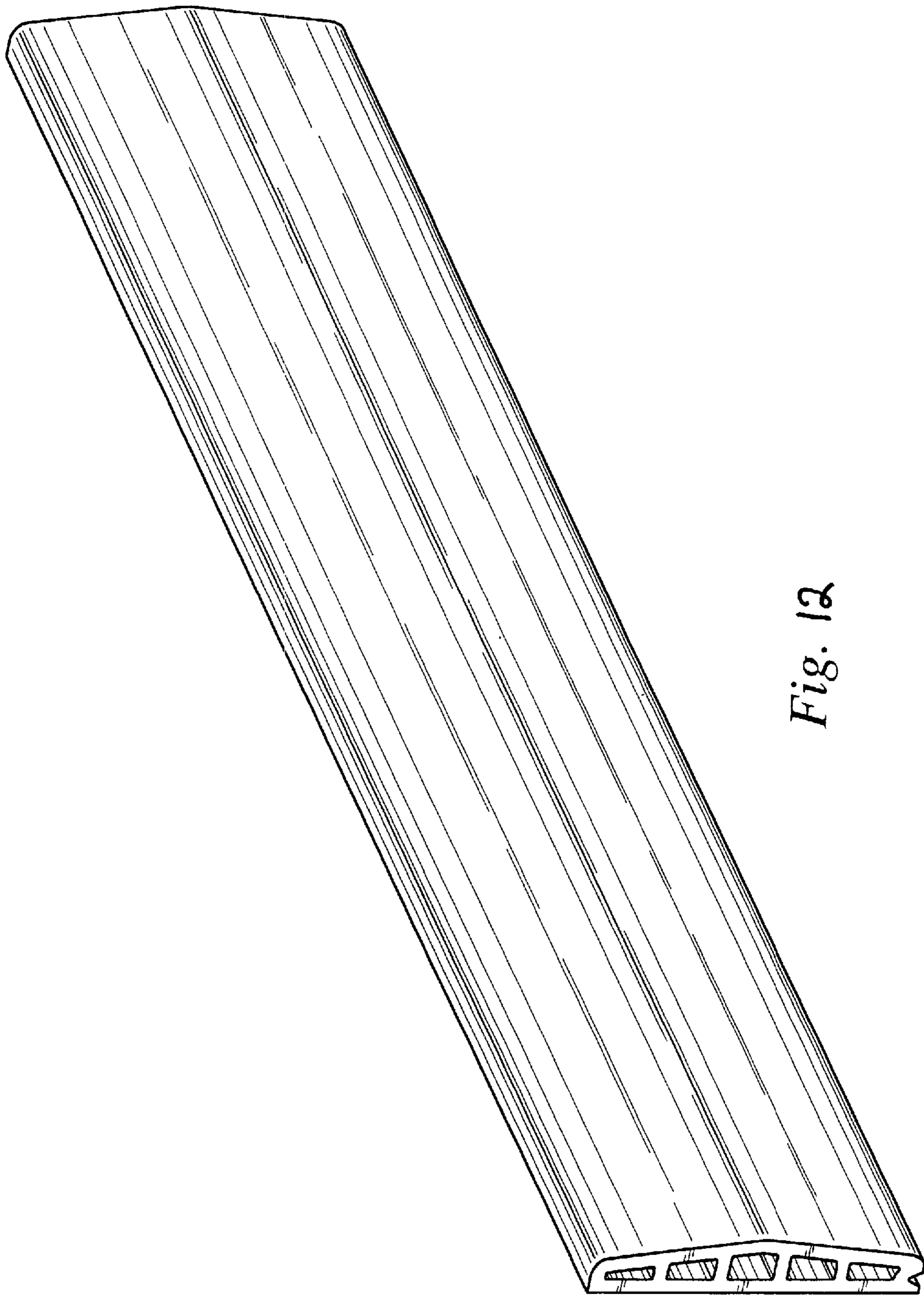


Fig. 12