



US00D534661S

(12) **United States Design Patent**  
**Fannan**

(10) **Patent No.:** **US D534,661 S**

(45) **Date of Patent:** **\*\* Jan. 2, 2007**

(54) **WINDOW COMPONENT EXTRUSION**

D450,135 S \* 11/2001 Roberts et al. .... D25/60  
D476,092 S \* 6/2003 Franson ..... D25/124

(75) Inventor: **Michael R. Fannan**, Pecatonica, IL  
(US)

**OTHER PUBLICATIONS**

Mikron Part No. 0531, first sold Jun. 14, 2001.

(73) Assignee: **Mikron Industries, Inc.**, Kent, WA  
(US)

\* cited by examiner

(\*\*) Term: **14 Years**

*Primary Examiner*—Doris Clark

(21) Appl. No.: **29/227,563**

(74) *Attorney, Agent, or Firm*—Black Lowe Graham PLLC

(22) Filed: **Apr. 12, 2005**

(57) **CLAIM**

(51) **LOC (8) Cl.** ..... **25-01**

The ornamental design for a window component extrusion,  
as shown and described.

(52) **U.S. Cl.** ..... **D25/124; D25/125**

(58) **Field of Classification Search** ..... D25/119,  
D25/124, 125; 52/204.1, 204.2, 204.5, 204.51,  
52/656.5, 656.6, 213, 215, 208; 49/DIG. 2,  
49/504

**DESCRIPTION**

See application file for complete search history.

FIG. 1 is a top right perspective view of the window  
component extrusion which is broken in the center indicat-  
ing indefinite length; and,

FIG. 2 is a bottom left perspective view of the window  
component extrusion shown in FIG. 1.

(56) **References Cited**

**U.S. PATENT DOCUMENTS**

D353,212 S 12/1994 Schrader

**1 Claim, 2 Drawing Sheets**

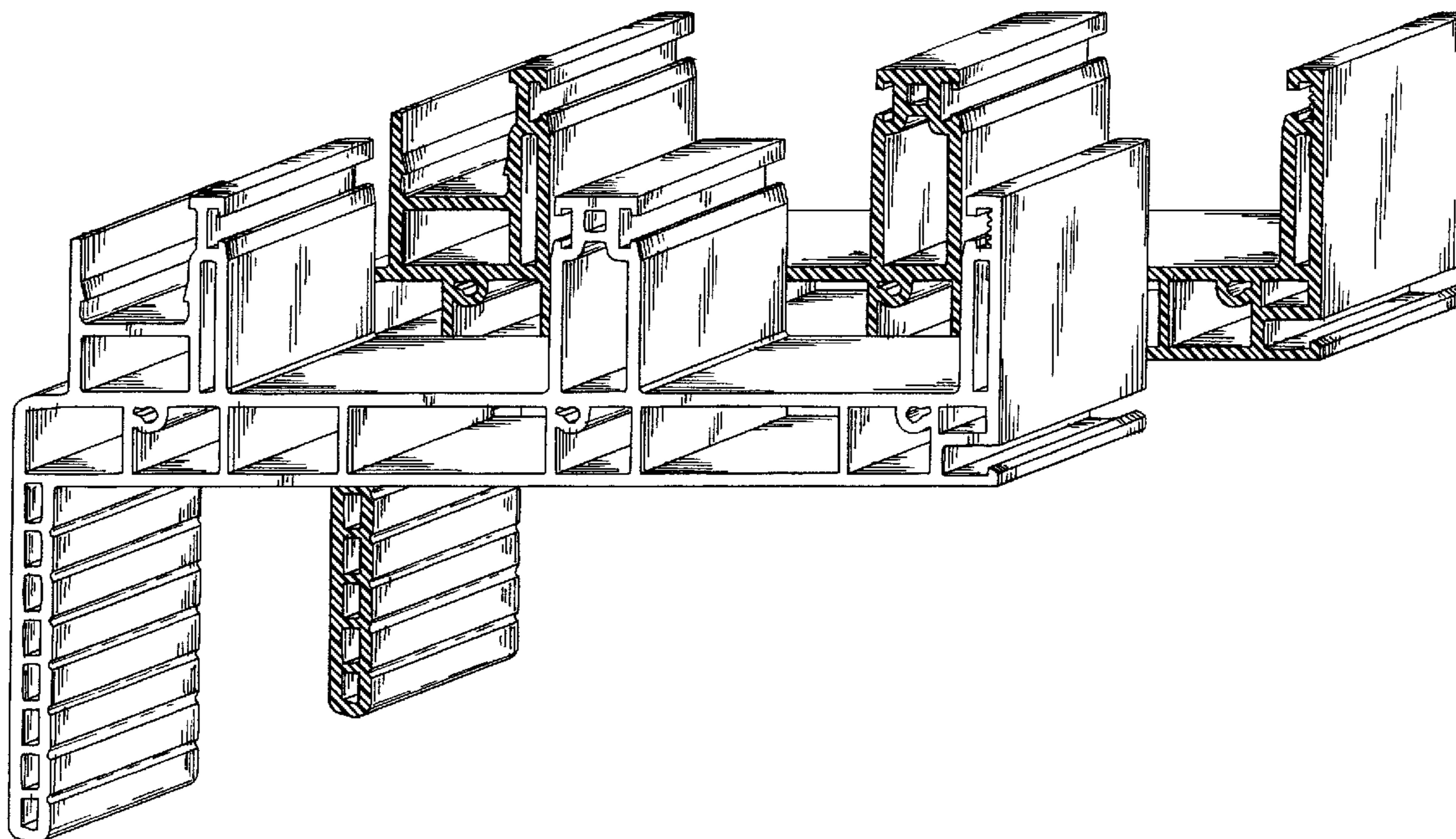
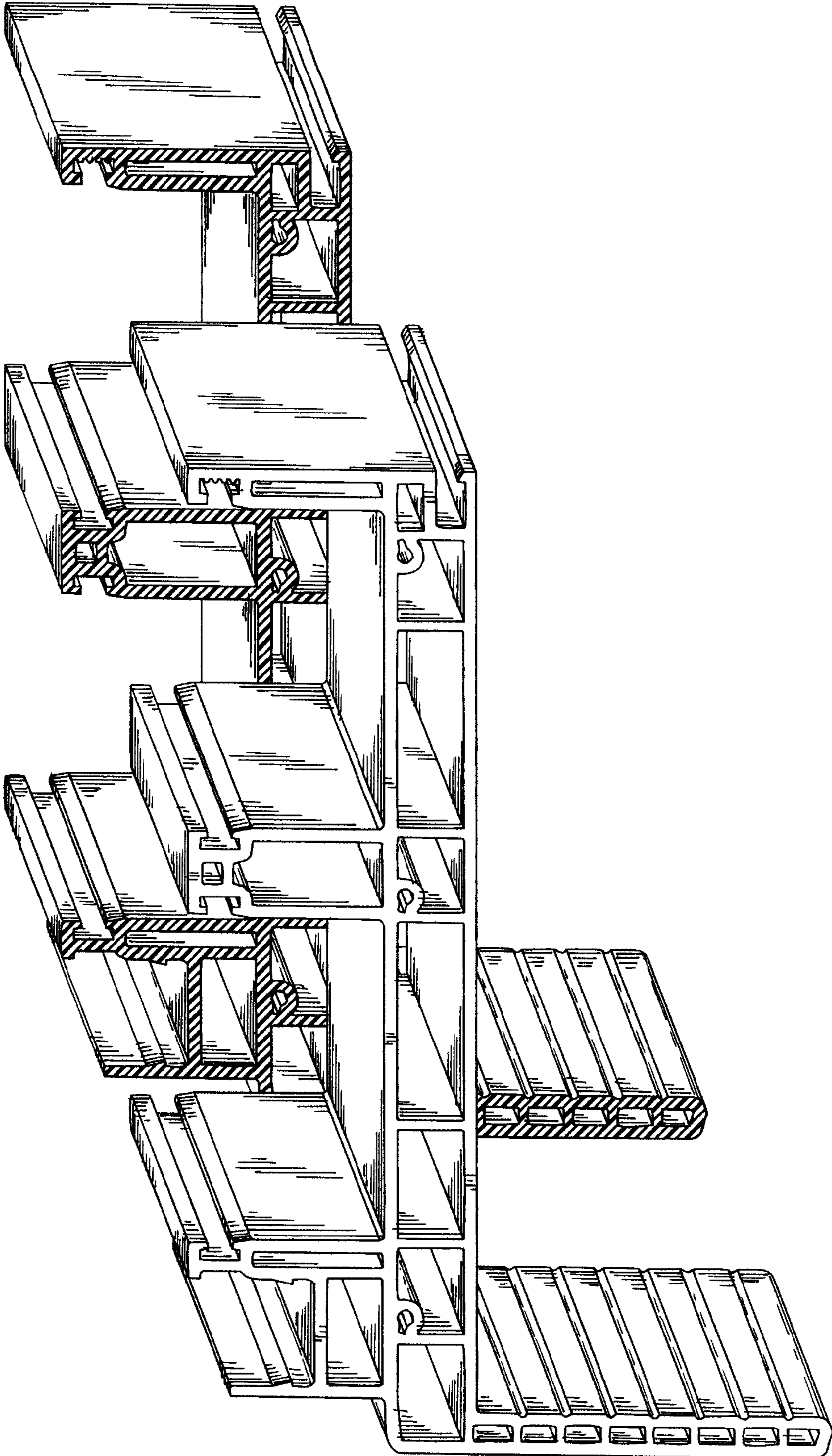


FIG. 1



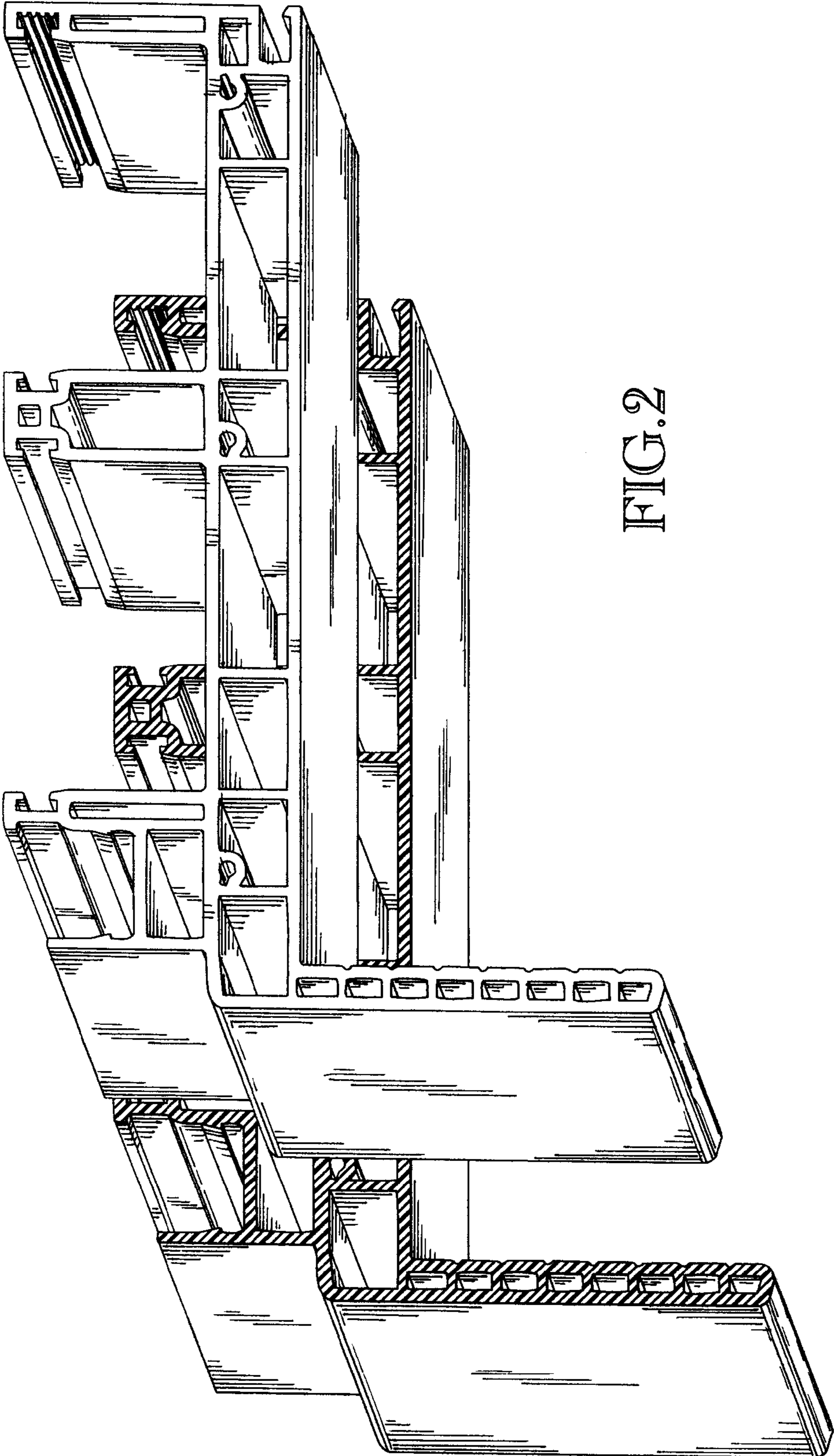


FIG. 2