



US00D534658S

(12) **United States Design Patent** (10) **Patent No.:** **US D534,658 S**
Bargh (45) **Date of Patent:** **** Jan. 2, 2007**

(54) **CULTURE VESSEL BLOCK**
(75) Inventor: **Adrian Neil Bargh**, London (GB)
(73) Assignee: **The Automation Partnership (Cambridge) Limited** (GB)
(**) Term: **14 Years**

5,993,745 A * 11/1999 Laska 422/104
5,996,818 A * 12/1999 Boje et al. 211/74
6,533,133 B1 * 3/2003 Liu 211/74
6,675,974 B1 * 1/2004 Ballin et al. 422/102
2005/0226786 A1 * 10/2005 Hager et al. 422/102
2005/0236346 A1 * 10/2005 Whitney 211/74

* cited by examiner

(21) Appl. No.: **29/217,953**
(22) Filed: **Nov. 23, 2004**

Primary Examiner—Robert A. Delehanty
Assistant Examiner—Mark Cavanna
(74) *Attorney, Agent, or Firm*—George R. McGuire; Bond, Schoeneck & King, PLLC

(30) **Foreign Application Priority Data**

May 26, 2004 (EM) 000189485

(57) **CLAIM**

The ornamental design for a culture vessel block, as shown and described.

(51) **LOC (8) Cl.** **24-02**
(52) **U.S. Cl.** **D24/229**
(58) **Field of Classification Search** D24/217–234;
D9/755; 206/446, 277; 211/74; 220/519;
422/102, 104
See application file for complete search history.

DESCRIPTION

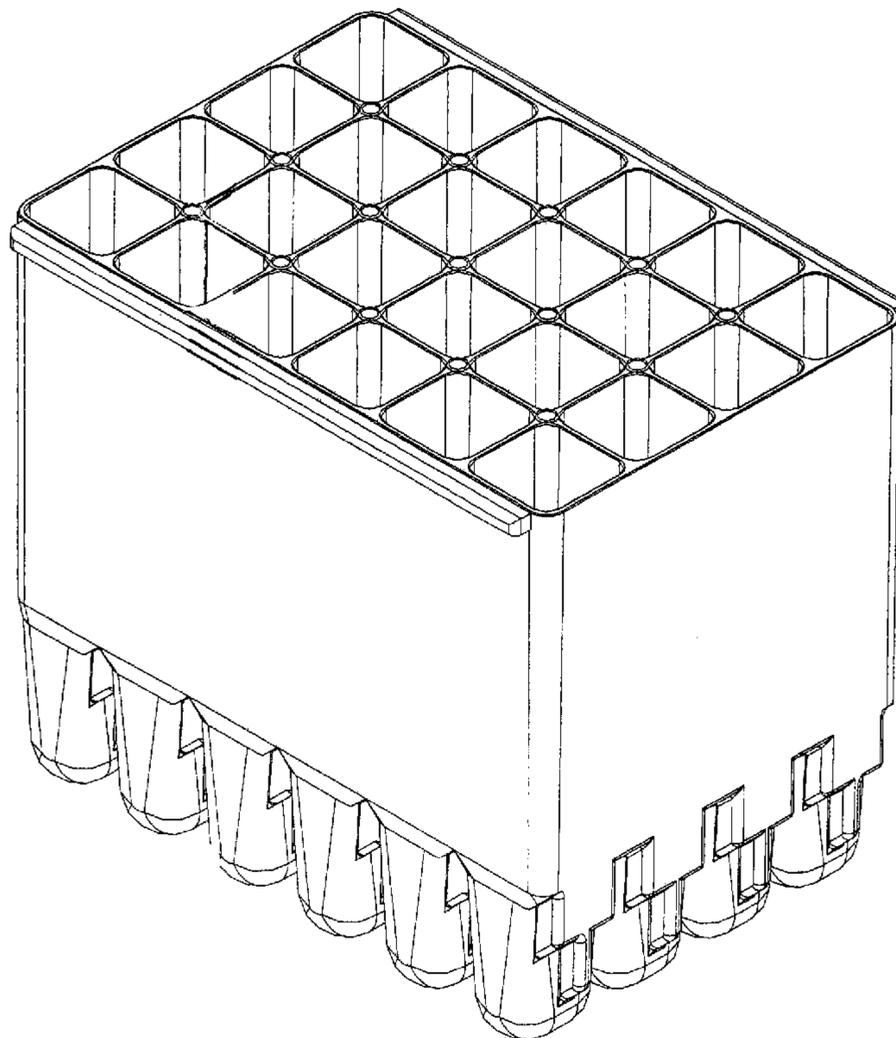
FIG. 1 is a perspective view of a new and ornamental design for a culture vessel block as viewed from above;
FIG. 2 is a perspective view thereof as viewed from below;
FIG. 3 is a right side elevation view thereof;
FIG. 4 is a left side elevation view thereof;
FIG. 5 is a front elevation view thereof;
FIG. 6 is a rear elevation view thereof;
FIG. 7 is a top plan view thereof; and,
FIG. 8 is a bottom plan view thereof.

(56) **References Cited**

U.S. PATENT DOCUMENTS

3,643,812 A * 2/1972 Mander et al. 211/74
3,747,751 A * 7/1973 Miller et al. 206/277
D246,466 S * 11/1977 Attree et al. D24/226
D283,162 S * 3/1986 Godsey D24/226
5,417,923 A * 5/1995 Bojanic et al. 422/102

1 Claim, 8 Drawing Sheets



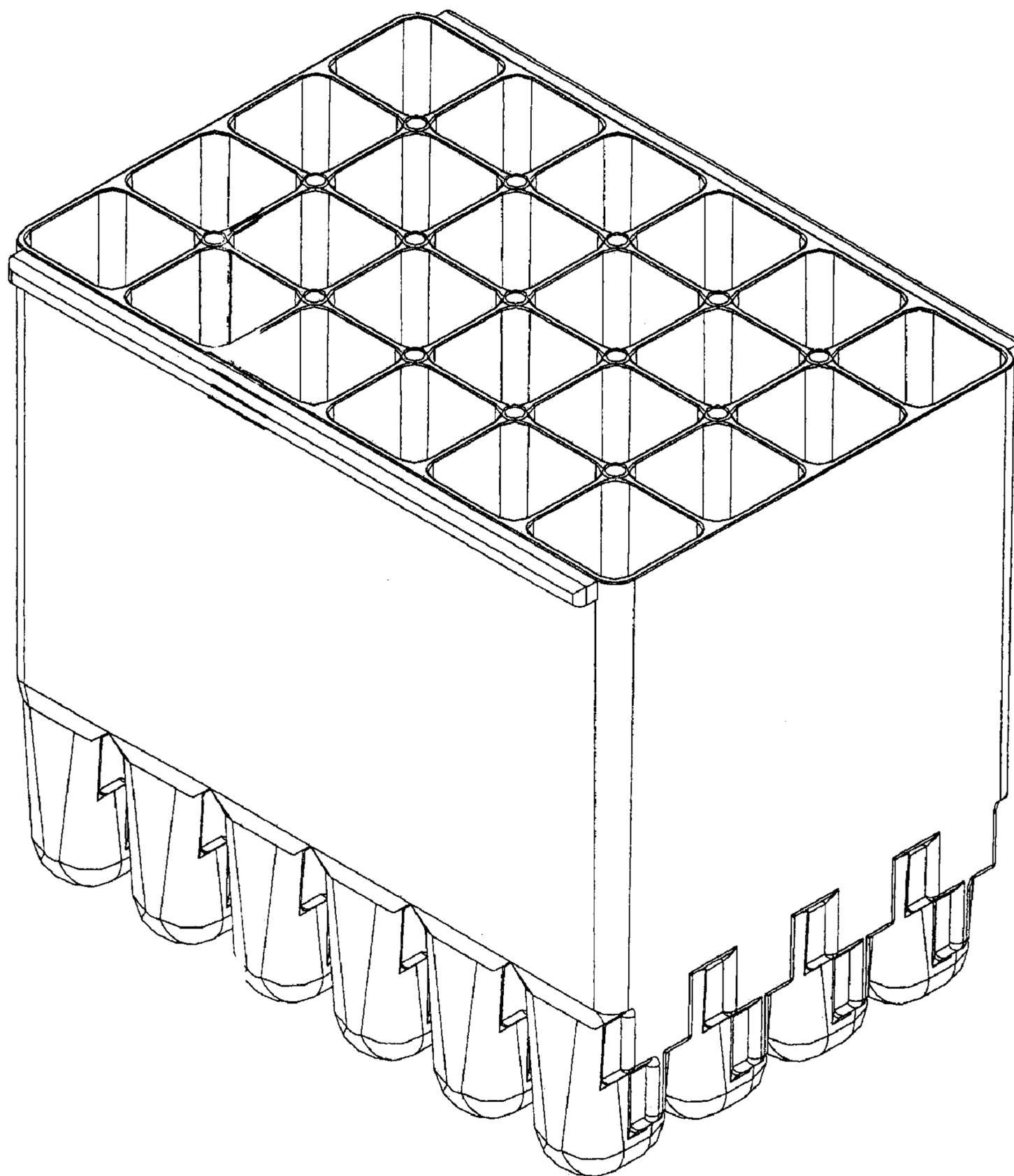


FIGURE 1

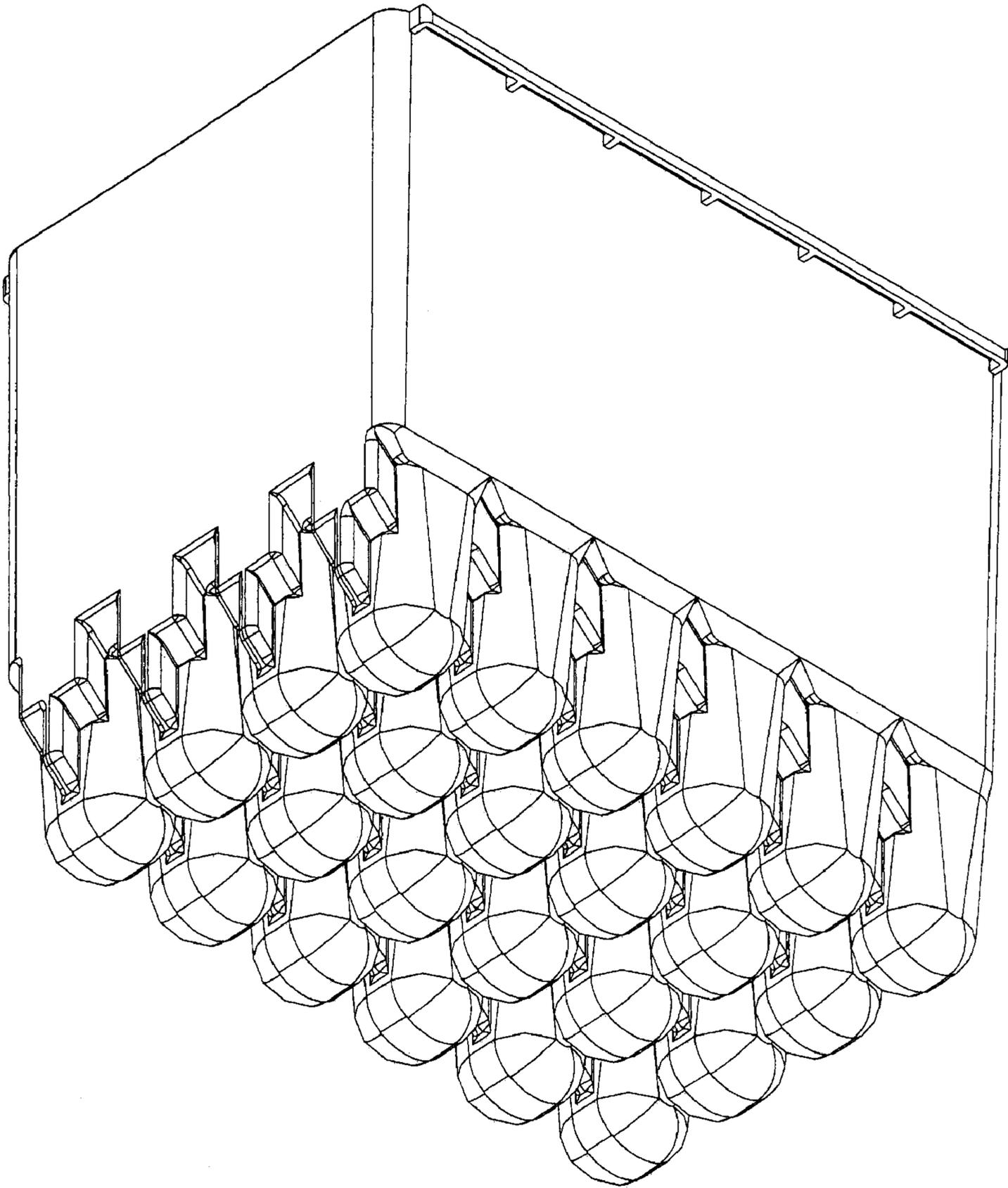


FIGURE 2

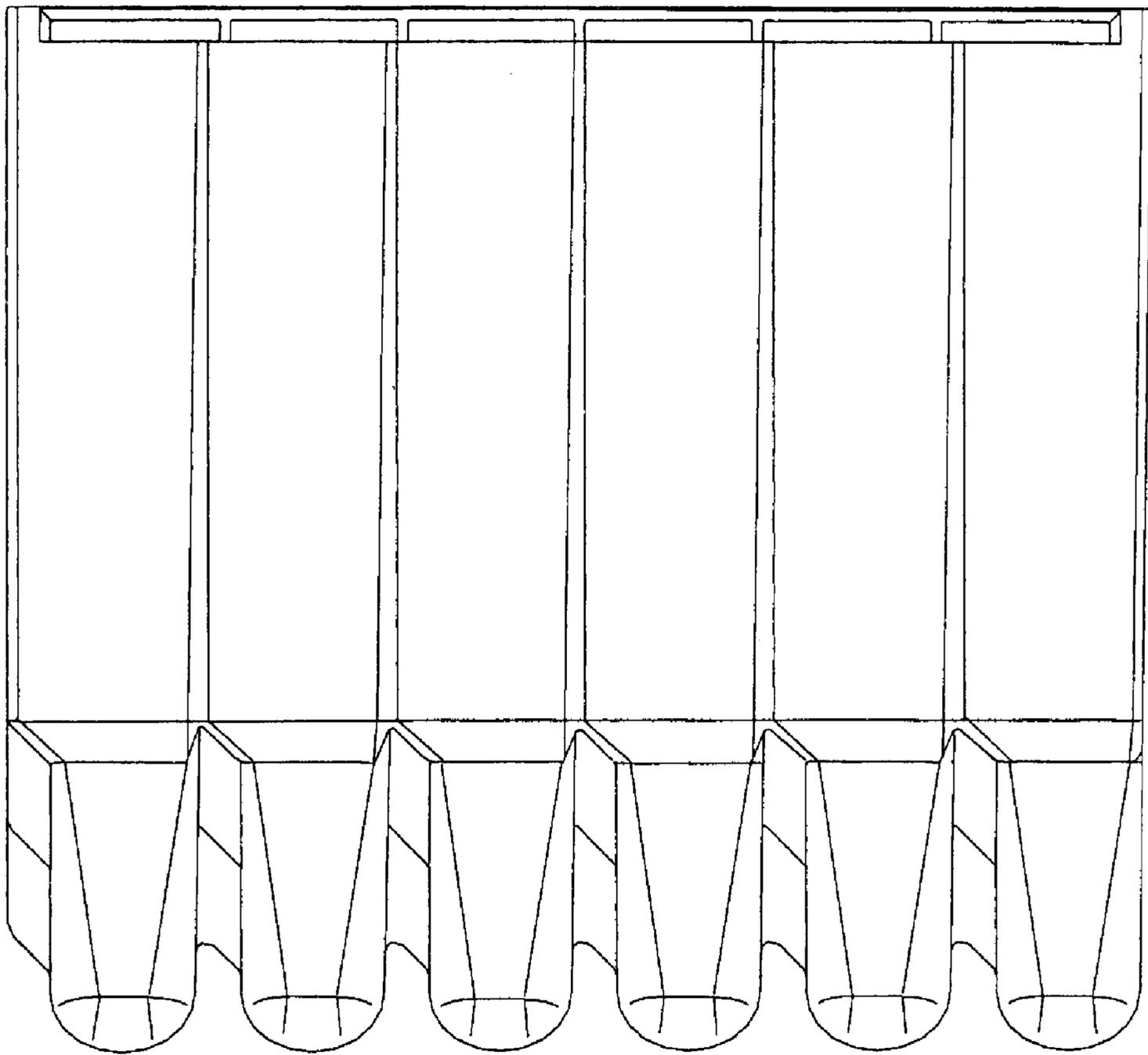


FIGURE 3

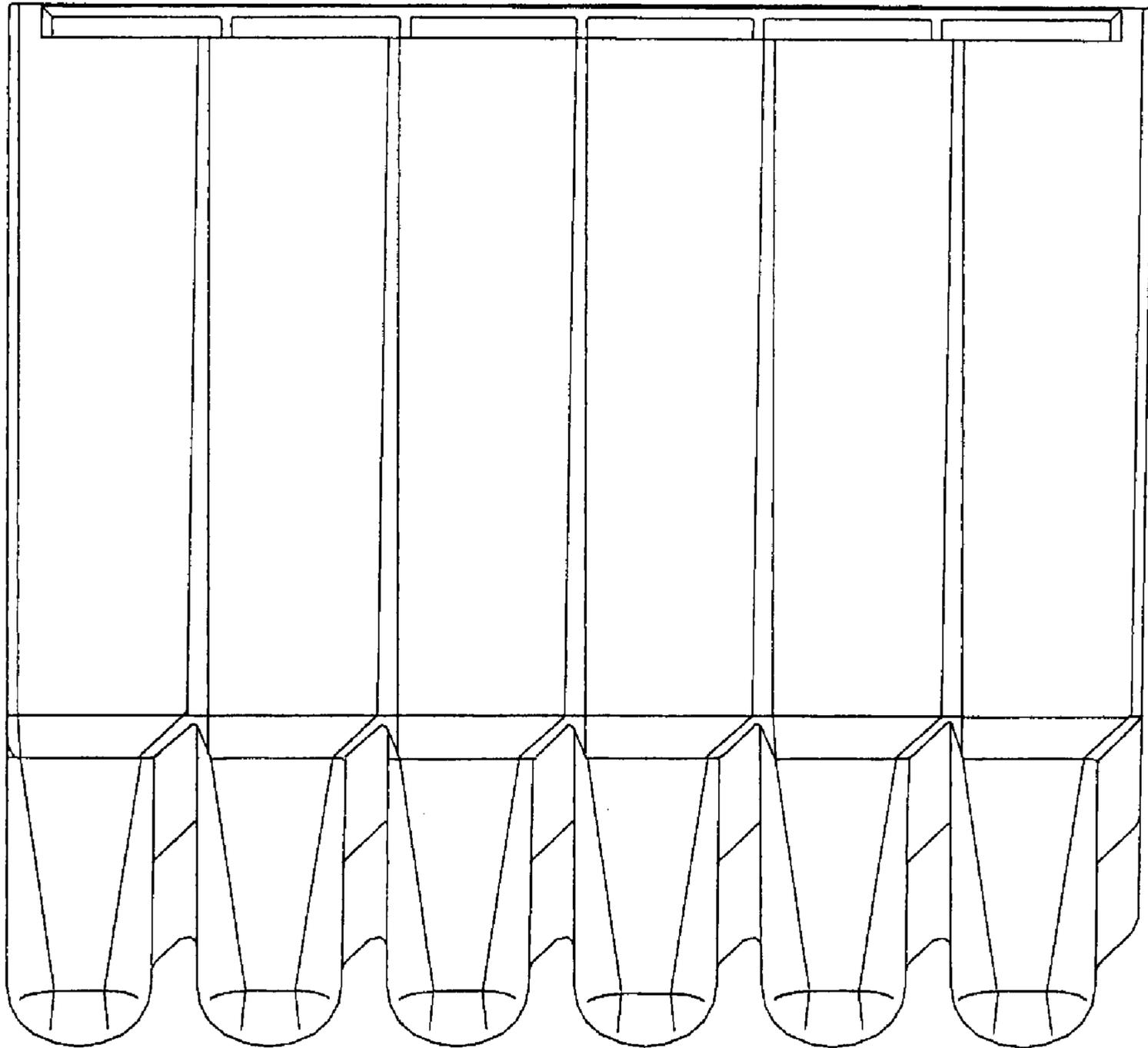


FIGURE 4

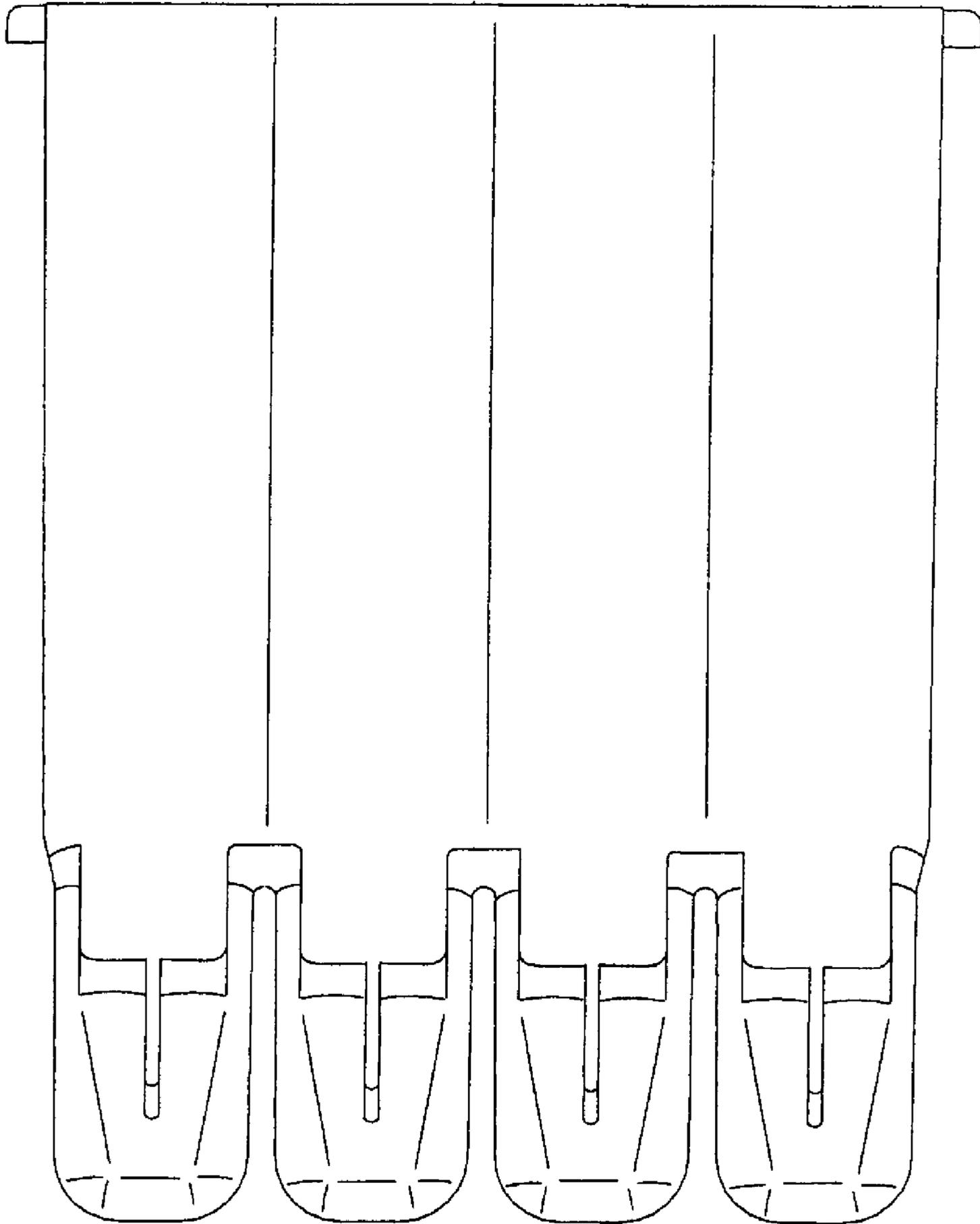


FIGURE 5

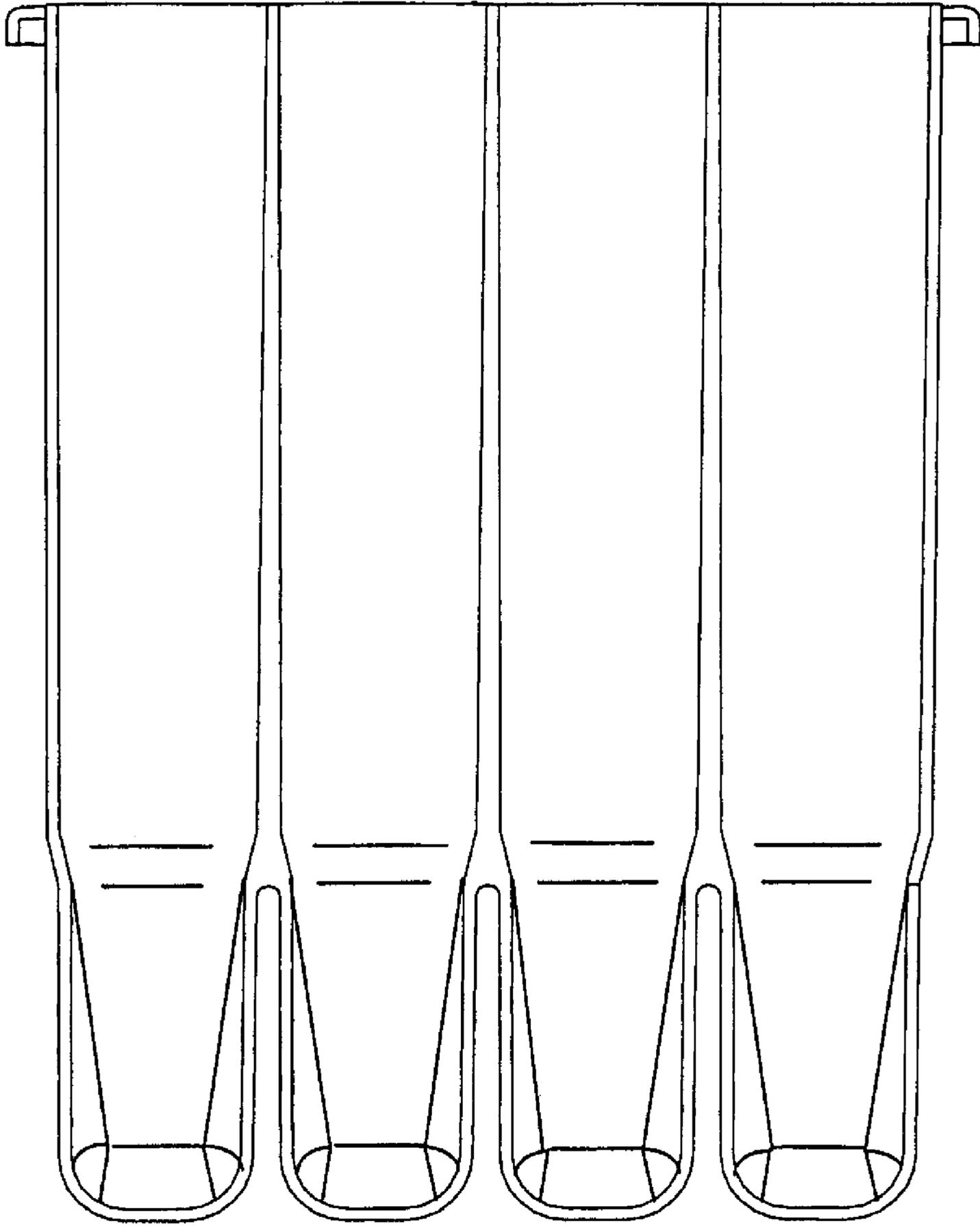


FIGURE 6

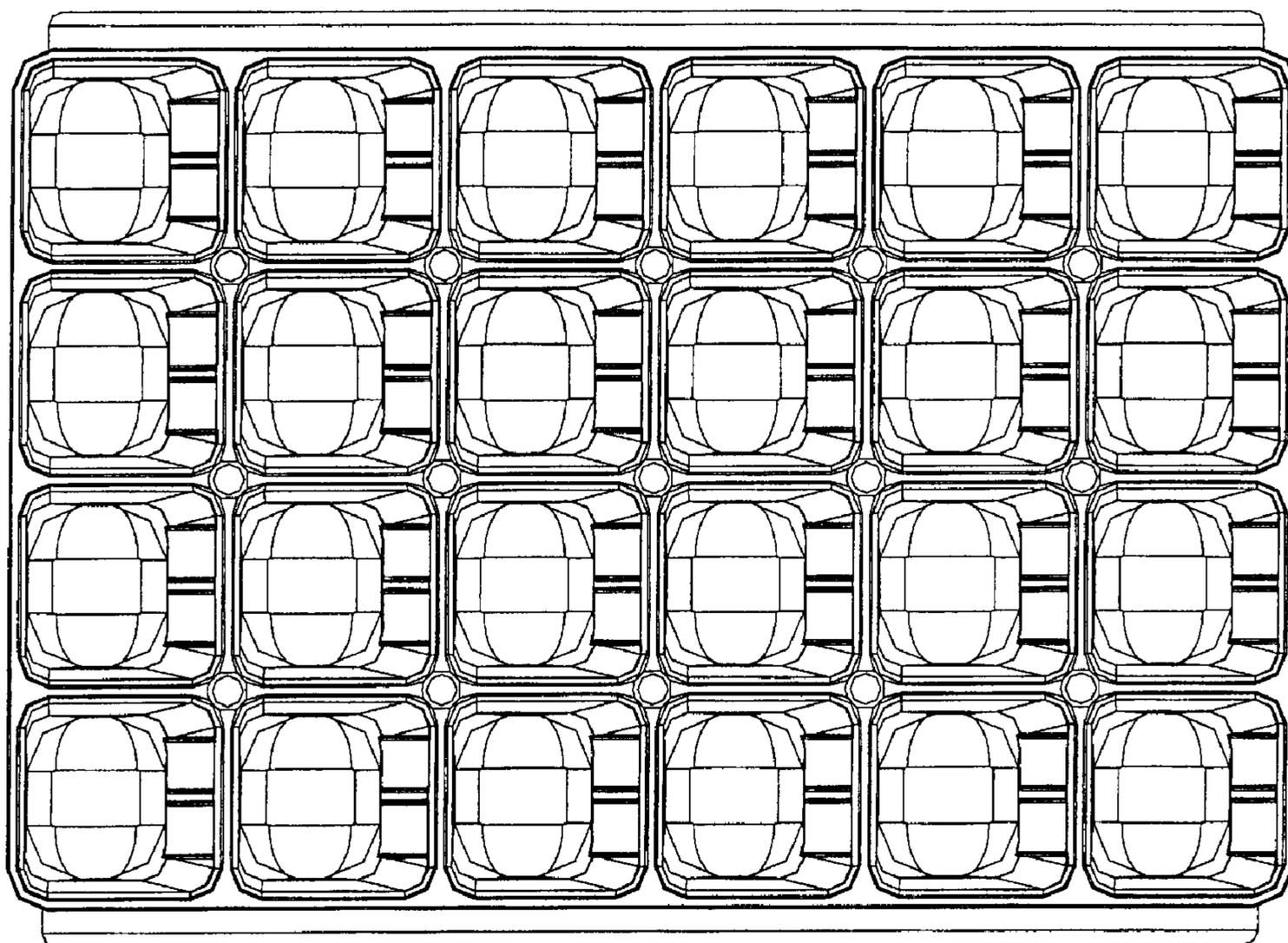


FIGURE 7

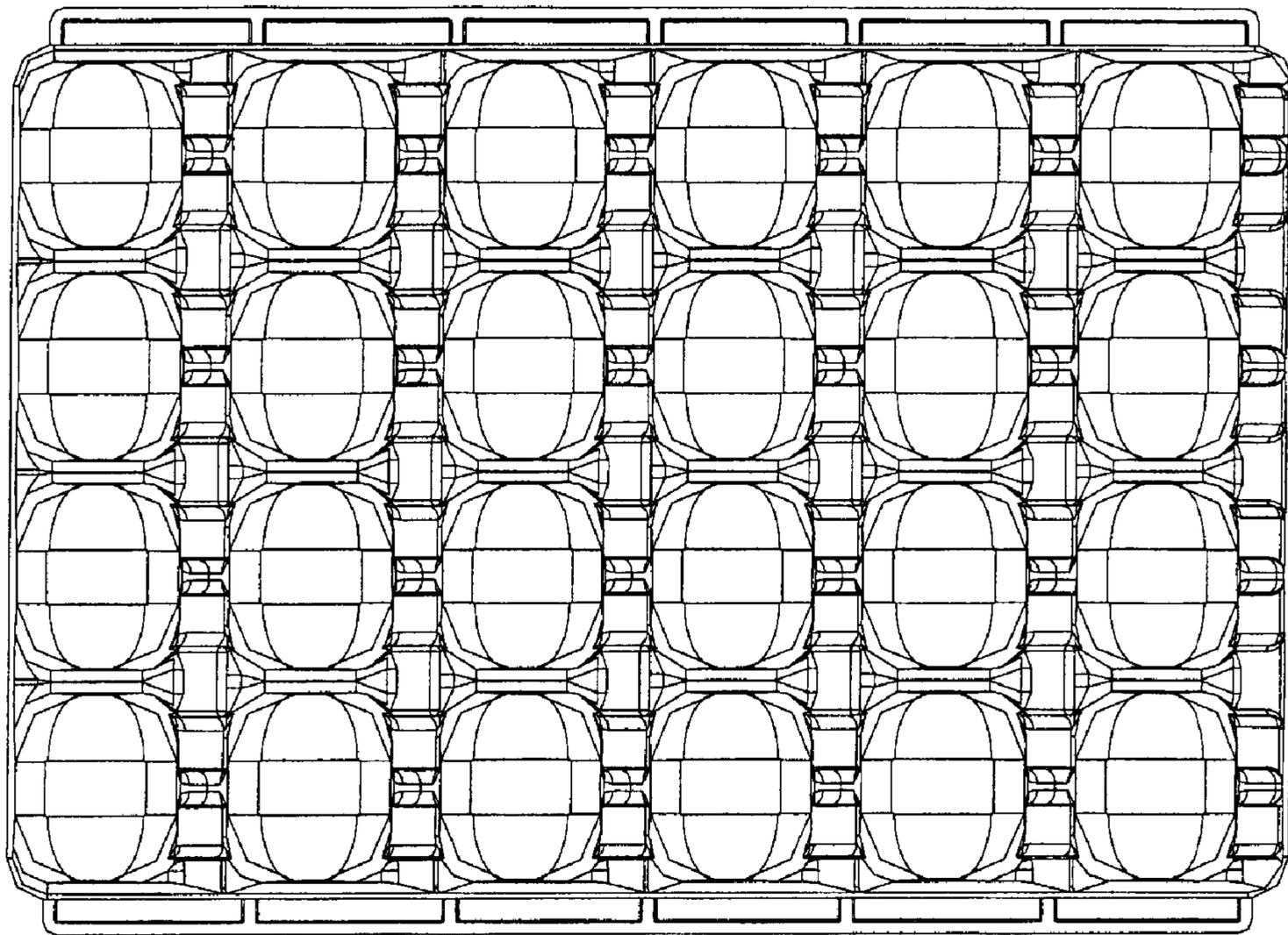


FIGURE 8