



US00D534657S

(12) **United States Design Patent**
Leyshon

(10) **Patent No.:** **US D534,657 S**

(45) **Date of Patent:** **** Jan. 2, 2007**

(54) **TABLET CRUSHER**

(76) **Inventor:** **Frank Leyshon**, 803 N. Seventh St.,
Cambridge, OH (US) 43725

(**) **Term:** **14 Years**

(21) **Appl. No.:** **29/218,541**

(22) **Filed:** **Dec. 2, 2004**

(51) **LOC (8) Cl.** **24-02**

(52) **U.S. Cl.** **D24/220**

(58) **Field of Classification Search** D24/216–231;
241/168, 169, 169.1, 169.2, DIG. 27
See application file for complete search history.

(56) **References Cited**

U.S. PATENT DOCUMENTS

D196,726 S	10/1963	Bull	D24/220
D233,533 S	11/1974	Ocel	D24/220
3,915,393 A	10/1975	Elkins	241/168
5,863,001 A *	1/1999	Schulze	241/169
D405,889 S	2/1999	Parsons	D24/220
5,915,637 A	6/1999	Parsons	241/168
6,059,209 A	5/2000	Barson	241/168
D453,044 S *	1/2002	Buckley et al.	D24/220
6,637,683 B1 *	10/2003	(Lomax) Wilbur	241/169.2
6,637,685 B1 *	10/2003	Kruger	241/169.1
D502,267 S *	2/2005	Leyshon et al.	D24/220

* cited by examiner

Primary Examiner—Robert A. Delehanty
Assistant Examiner—Mark Cavanna

(57) **CLAIM**

The ornamental design for a tablet crusher, as shown and described in the drawings.

DESCRIPTION

FIG. 1 is a side perspective view of a tablet crusher of the present invention;

FIG. 2 is a side elevational view of the tablet crusher of the present invention, and which is duplicative of the reverse side thereof;

FIG. 3 is a storage end elevational view of the tablet crusher of the present invention;

FIG. 4 is handle end elevational view of the tablet crusher of the present invention;

FIG. 5 is a top plan view of the tablet crusher of the present invention; and,

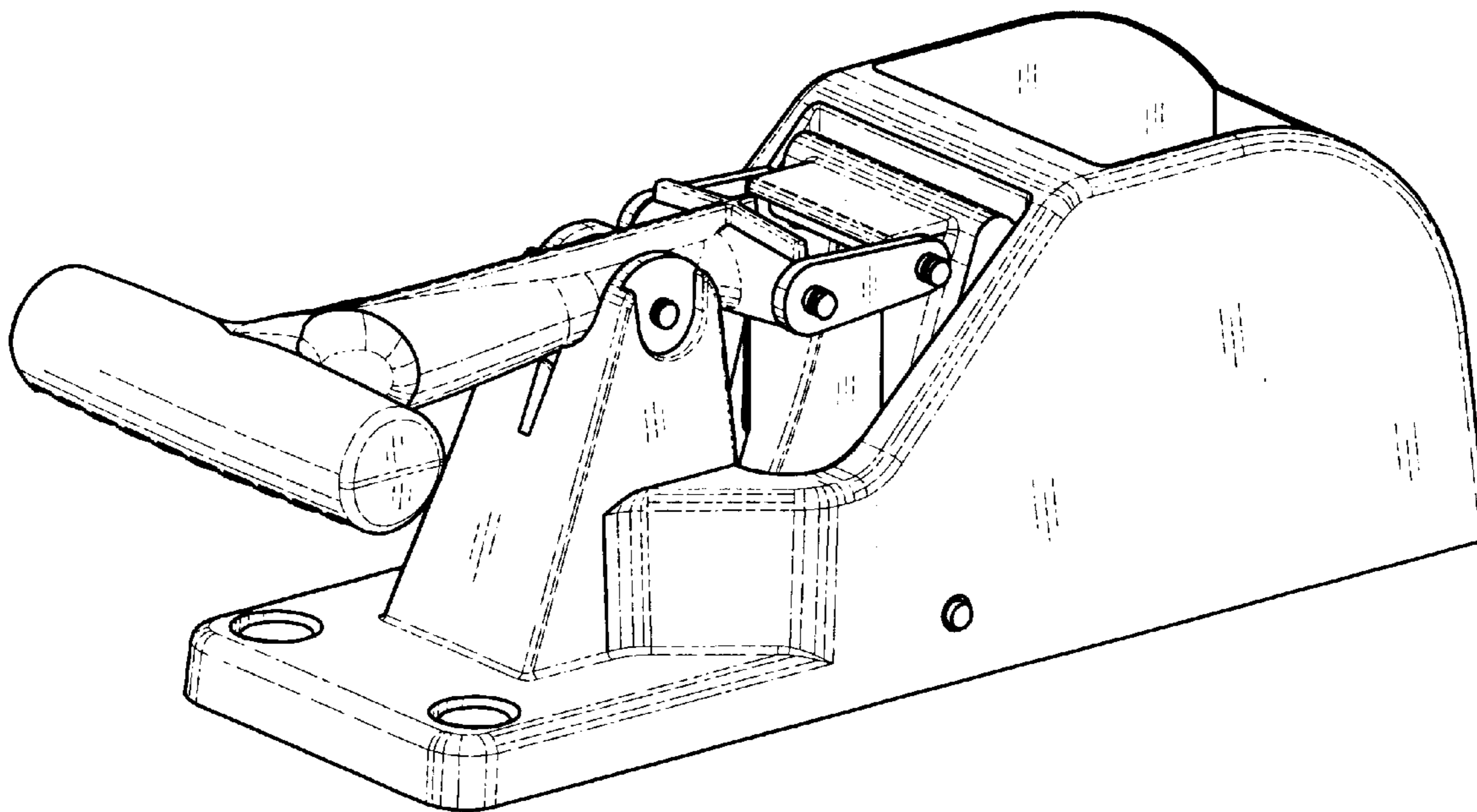
FIG. 6 is a bottom plan view of the tablet crusher of the present invention;

FIG. 7 is a side perspective view of a tablet crusher of the present invention, with a removable container of plastic pouches used with the tablet crusher of the present invention; and,

FIG. 8 is a side elevational view of the tablet crusher of the present invention, and which is duplicative of the reverse side thereof, with a removable container of plastic pouches used with the tablet crusher of the present invention.

Shown in phantom lines in FIGS. 7 and 8 is a removable container of plastic pouches used with the tablet crusher of the present invention. These lines form no part of the claimed design, but are used to illustrate the operating environment of the present invention.

1 Claim, 5 Drawing Sheets



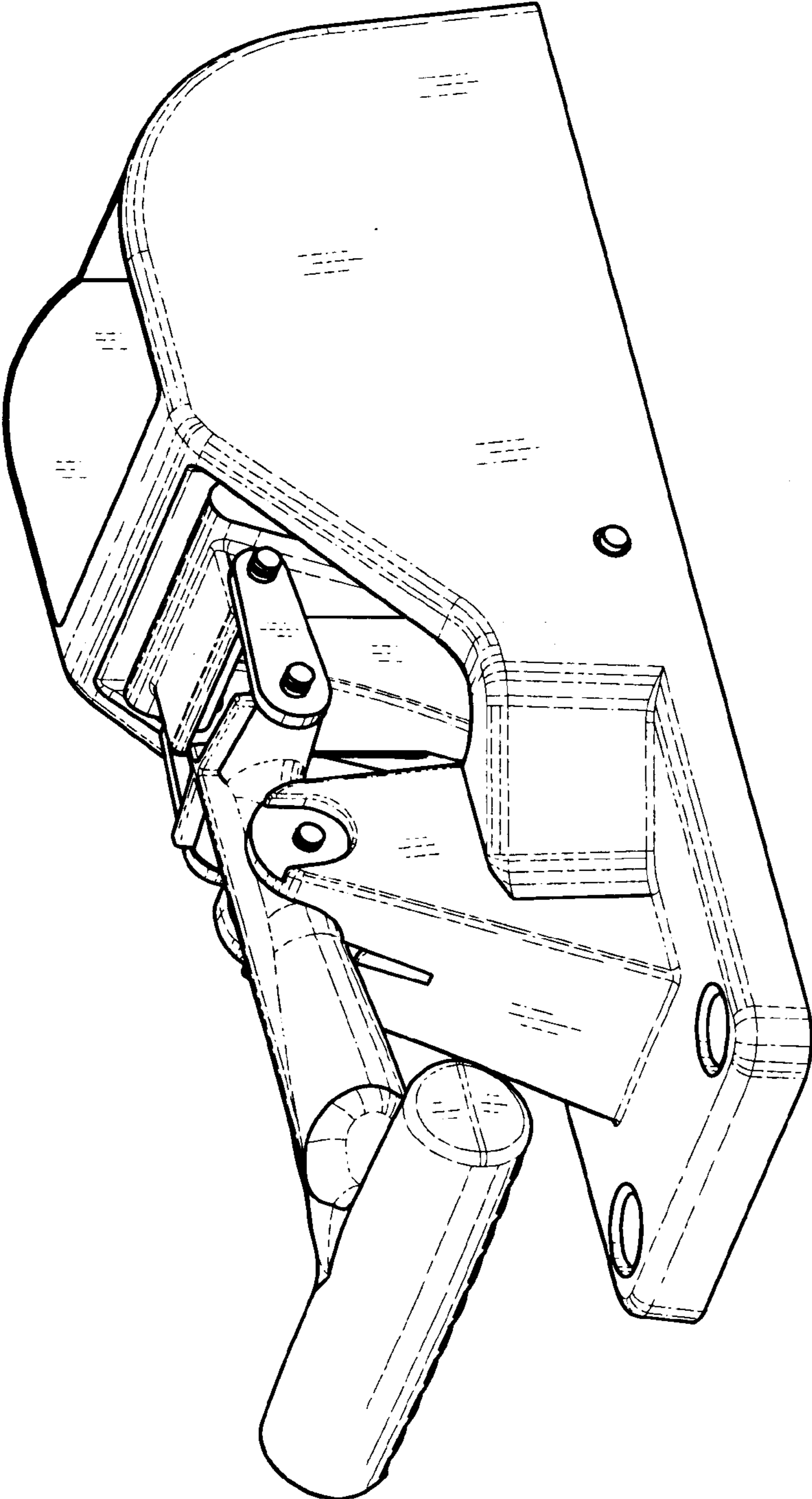


Fig. 1

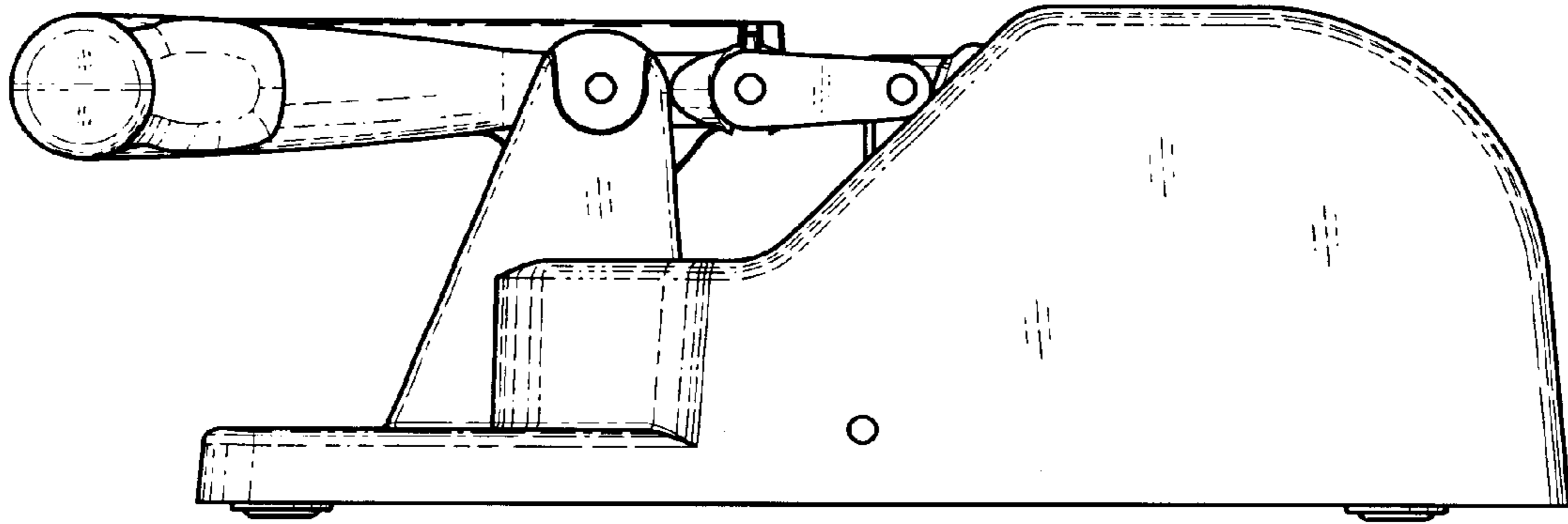


Fig. 2

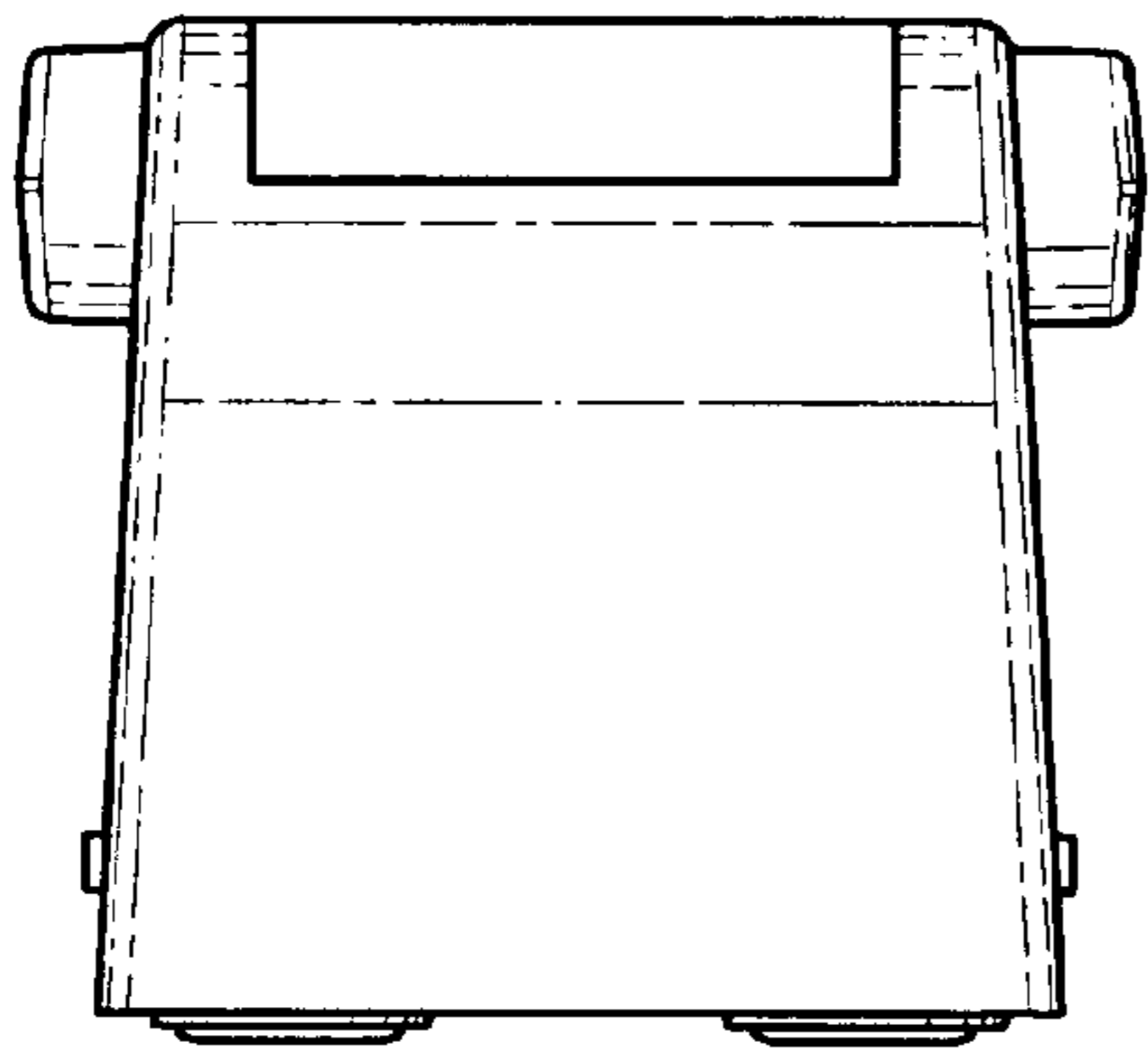


Fig. 3

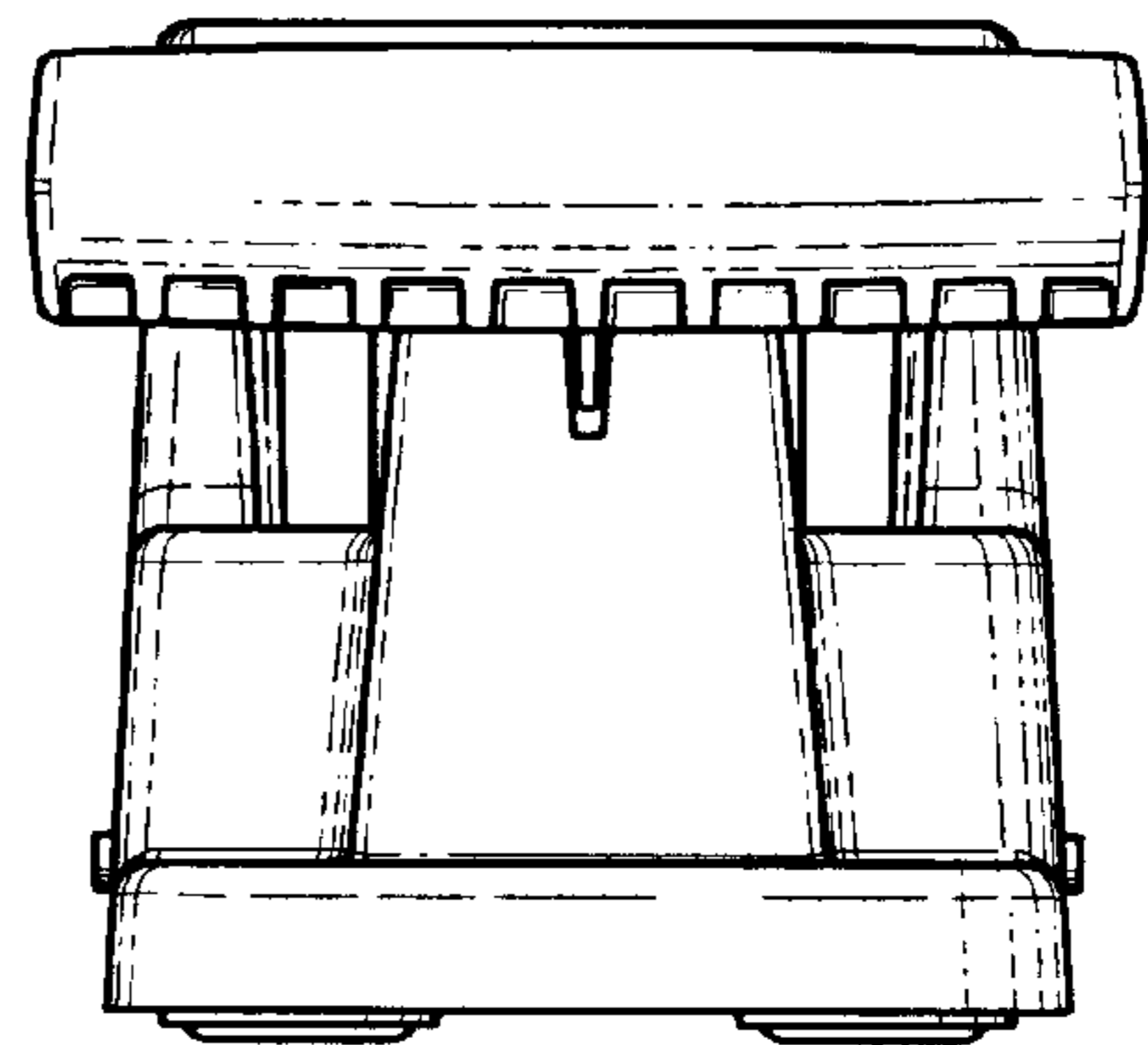


Fig. 4

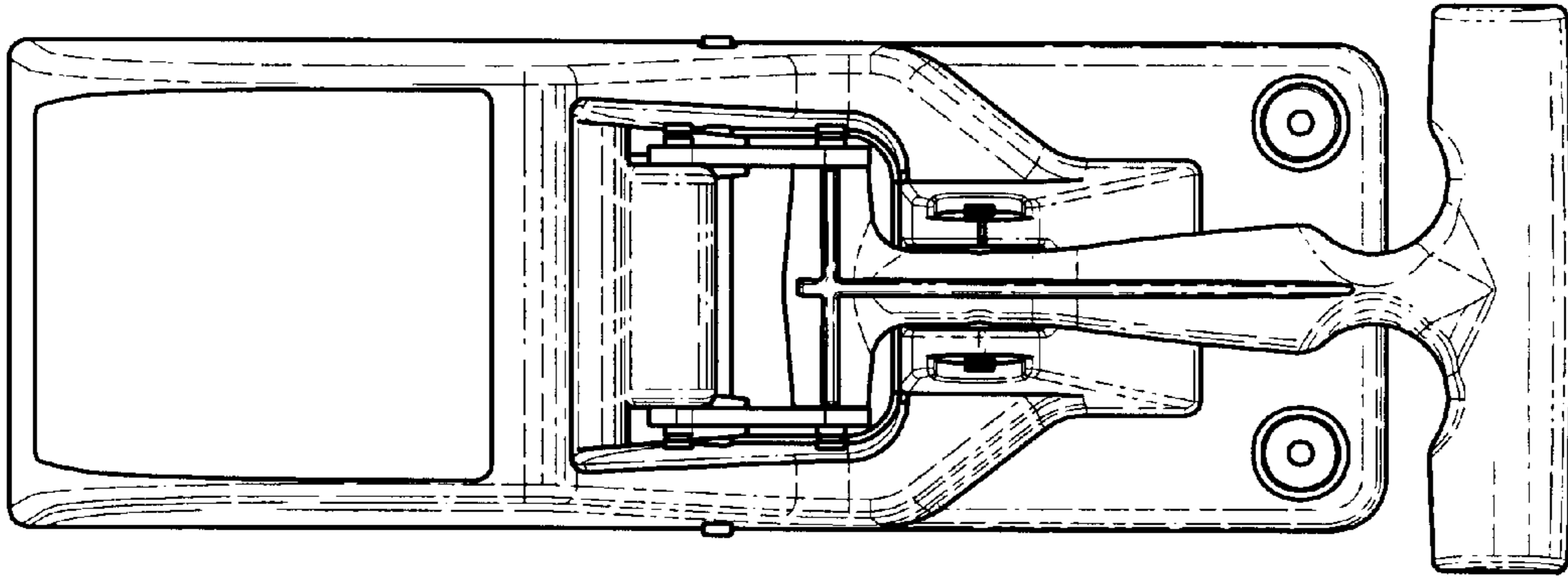


Fig. 5

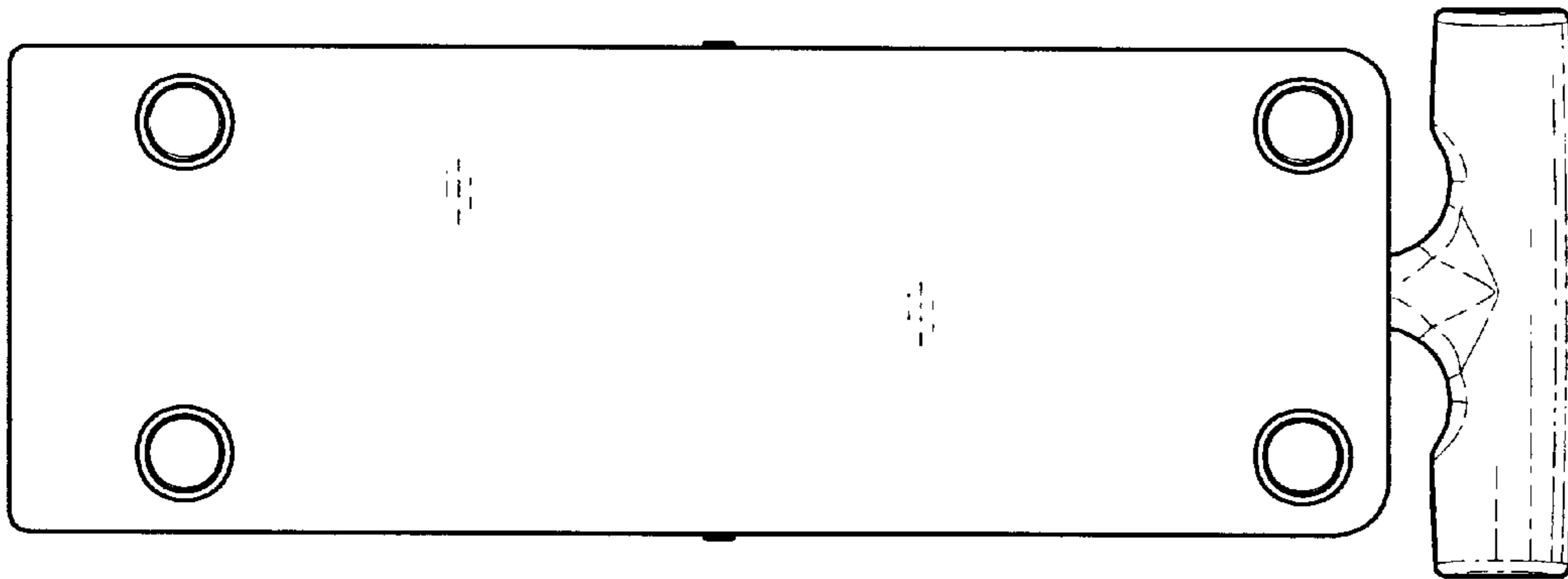


Fig. 6

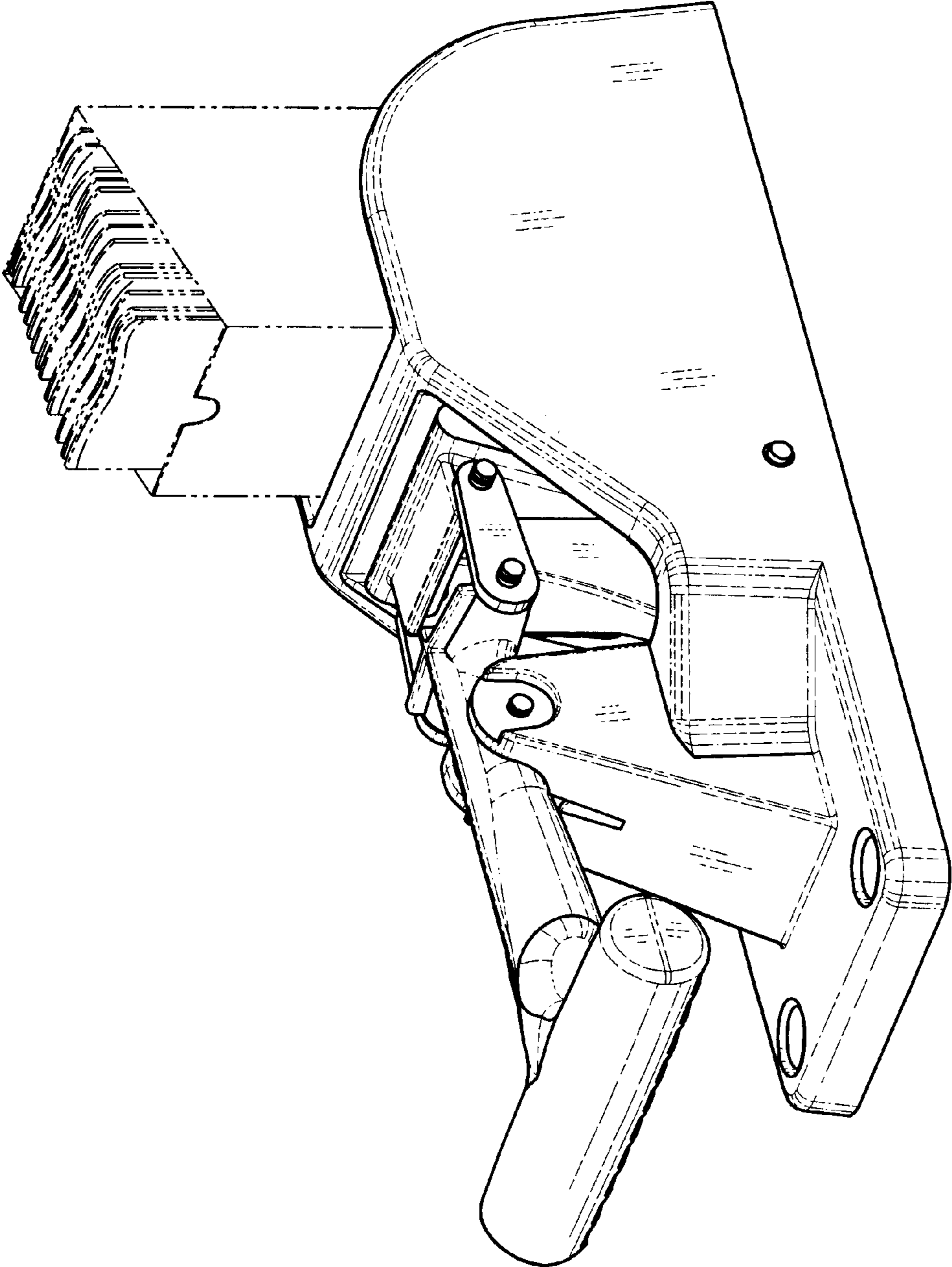


Fig. 7

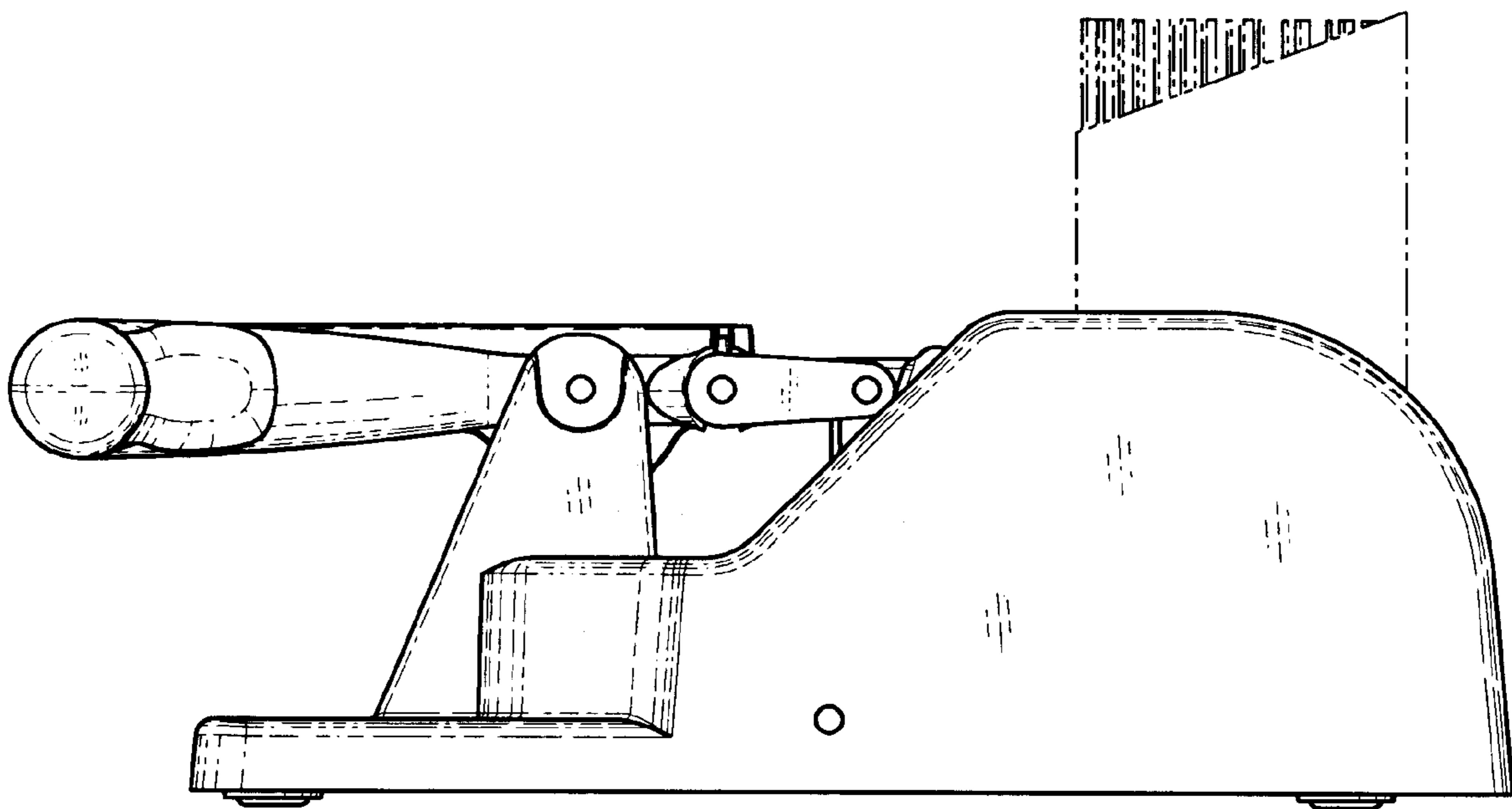


Fig. 8