

US00D534656S

(12) **United States Design Patent**
Pilvisto et al.

(10) **Patent No.:** **US D534,656 S**
(45) **Date of Patent:** **** Jan. 2, 2007**

(54) **CONNECTOR FOR VIDEO ENDOSCOPES**

(75) Inventors: **Toenis Pilvisto**, Tallinn (EE); **Viktor Josef Wimmer**, Seon (DE)

(73) Assignee: **Karl Storz GmbH & Co. KG** (DE)

(**) Term: **14 Years**

(21) Appl. No.: **29/238,057**

(22) Filed: **Sep. 9, 2005**

(30) **Foreign Application Priority Data**

Mar. 9, 2005 (EM) 000307293

(51) **LOC (8) Cl.** **24-02**

(52) **U.S. Cl.** **D24/138; D16/237**

(58) **Field of Classification Search** D24/138,
D24/129, 137; D16/202, 208, 219, 237; 600/156,
600/158, 160, 110, 131, 132, 154; 348/45,
348/75

See application file for complete search history.

(56) **References Cited**

U.S. PATENT DOCUMENTS

3,830,225	A	8/1974	Shinnick	128/2
5,993,381	A	* 11/1999	Ito	600/131
6,508,758	B1	* 1/2003	Komi	600/131
D481,125	S	* 10/2003	Hayamizu	D24/138
D498,533	S	* 11/2004	Hayamizu	D24/138
2005/0027165	A1	2/2005	Rovengo	600/154

* cited by examiner

Primary Examiner—Ian Simmons

Assistant Examiner—Christopher Lee

(74) *Attorney, Agent, or Firm*—St. Onge Steward Johnston & Reens LLC

(57) **CLAIM**

The ornamental design for a connector for video endoscopes, as shown and described.

DESCRIPTION

FIG. 1 is a perspective view of a connector for video endoscopes in accordance with the new design in environment;

FIG. 2 is a perspective view of the connector for video endoscopes of FIG. 1;

FIG. 3 is a side view of the connector for video endoscopes of FIG. 1;

FIG. 4 is a side view of the connector for video endoscopes of FIG. 1;

FIG. 5 is a top view of the connector for video endoscopes of FIG. 1;

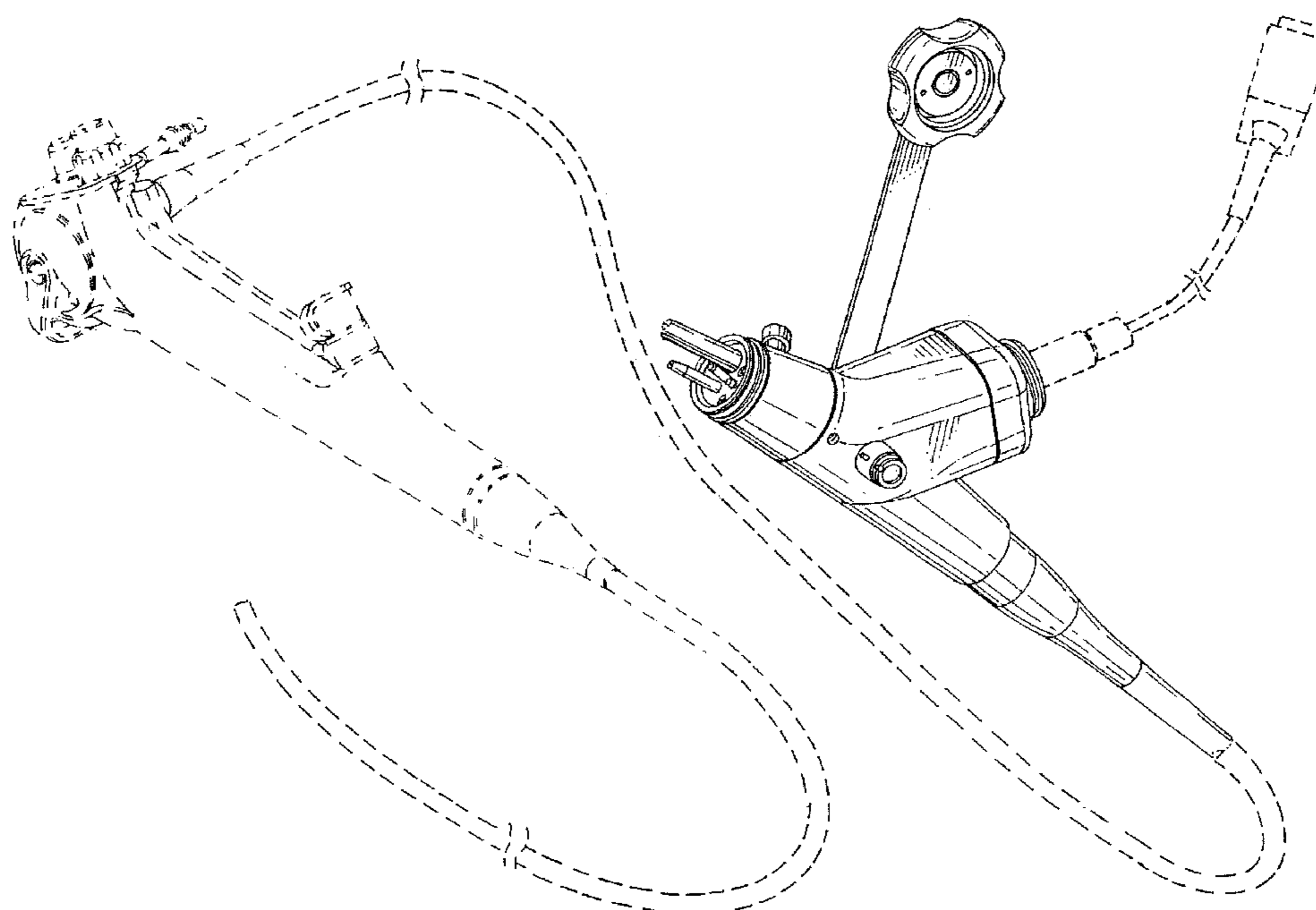
FIG. 6 is a bottom view of the connector for video endoscopes of FIG. 1;

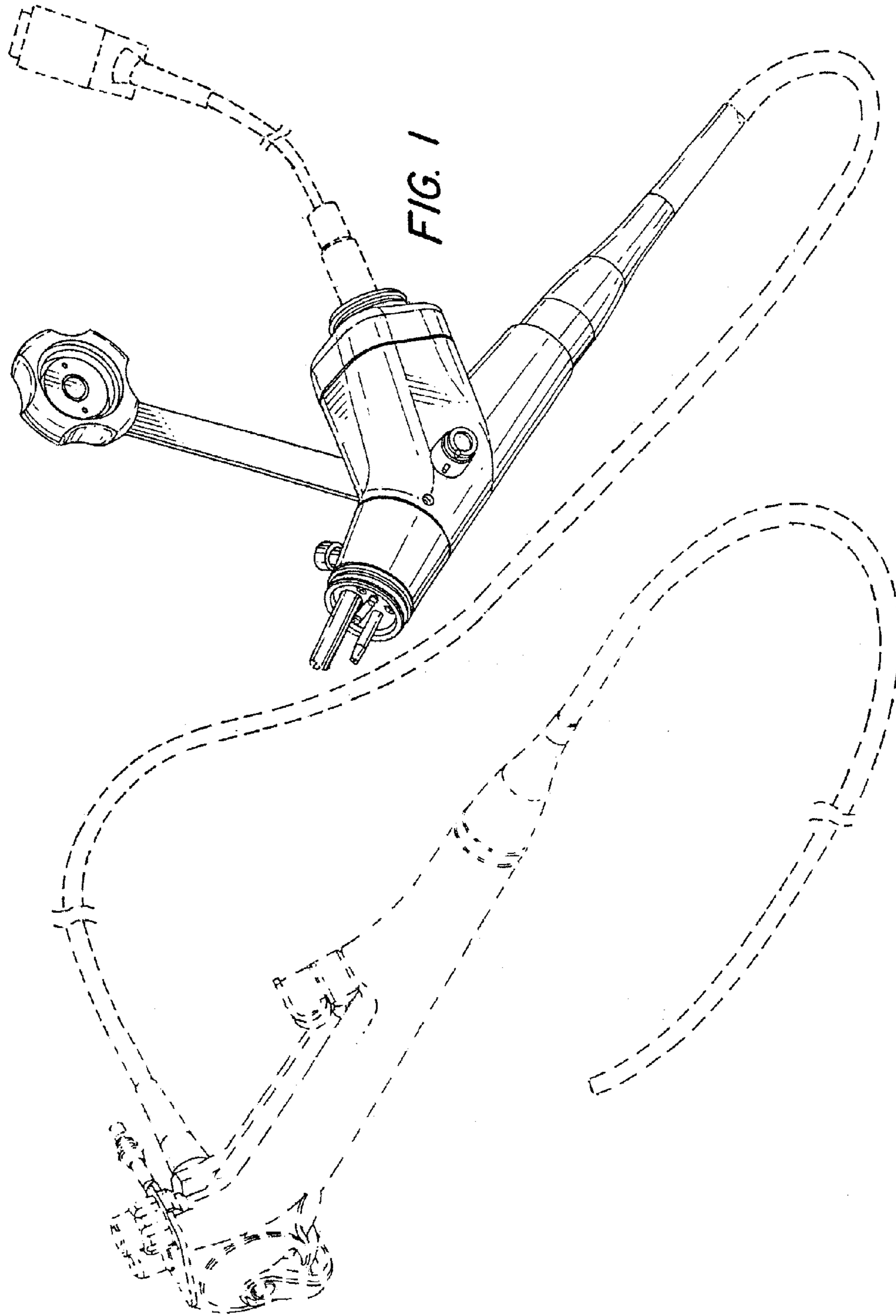
FIG. 7 is a rear end view of the connector for video endoscopes of FIG. 1; and,

FIG. 8 is a front end view of the connector for video endoscopes of FIG. 1.

The broken line showing is for illustrative purposes only and forms no part of the claimed design.

1 Claim, 8 Drawing Sheets





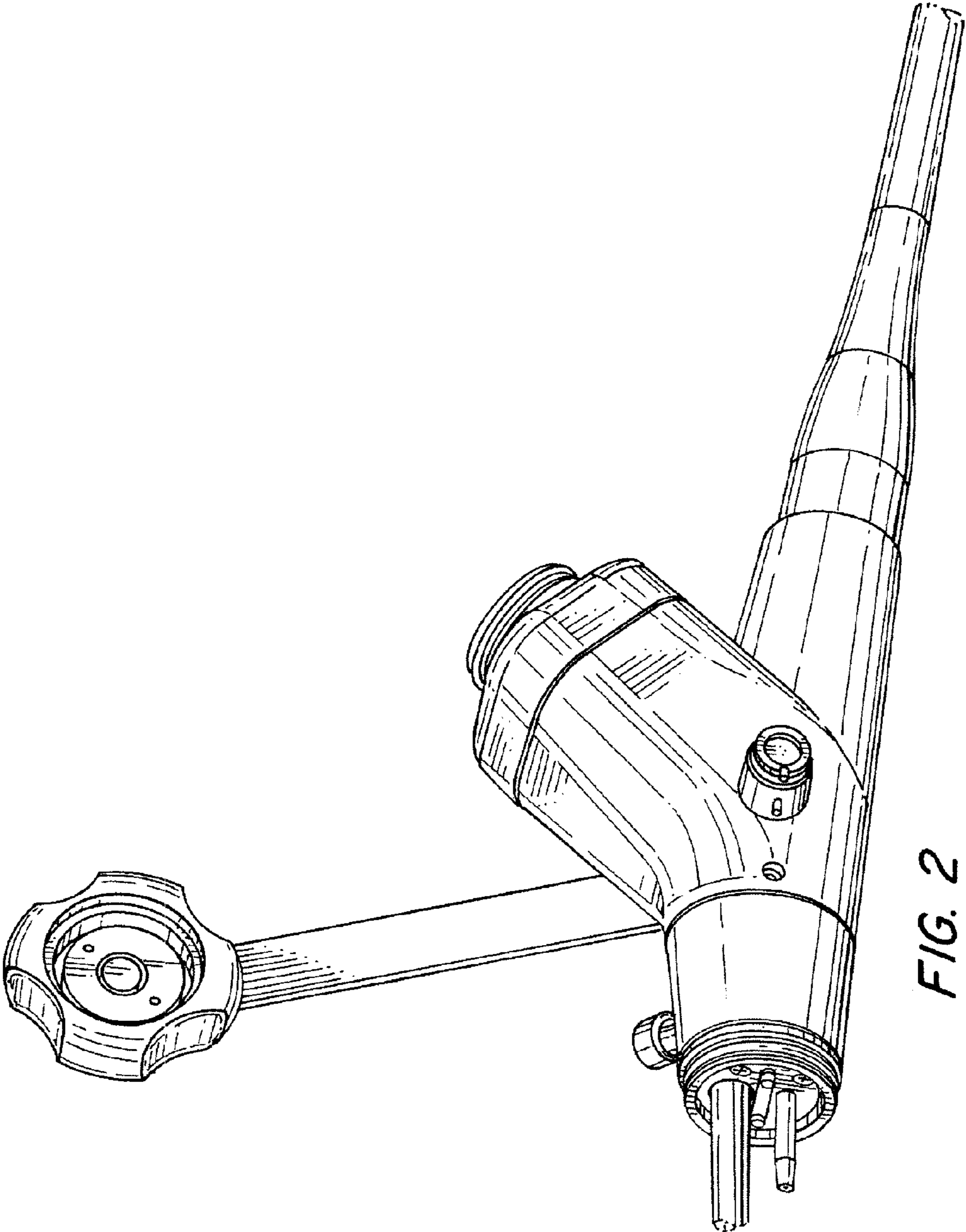


FIG. 2

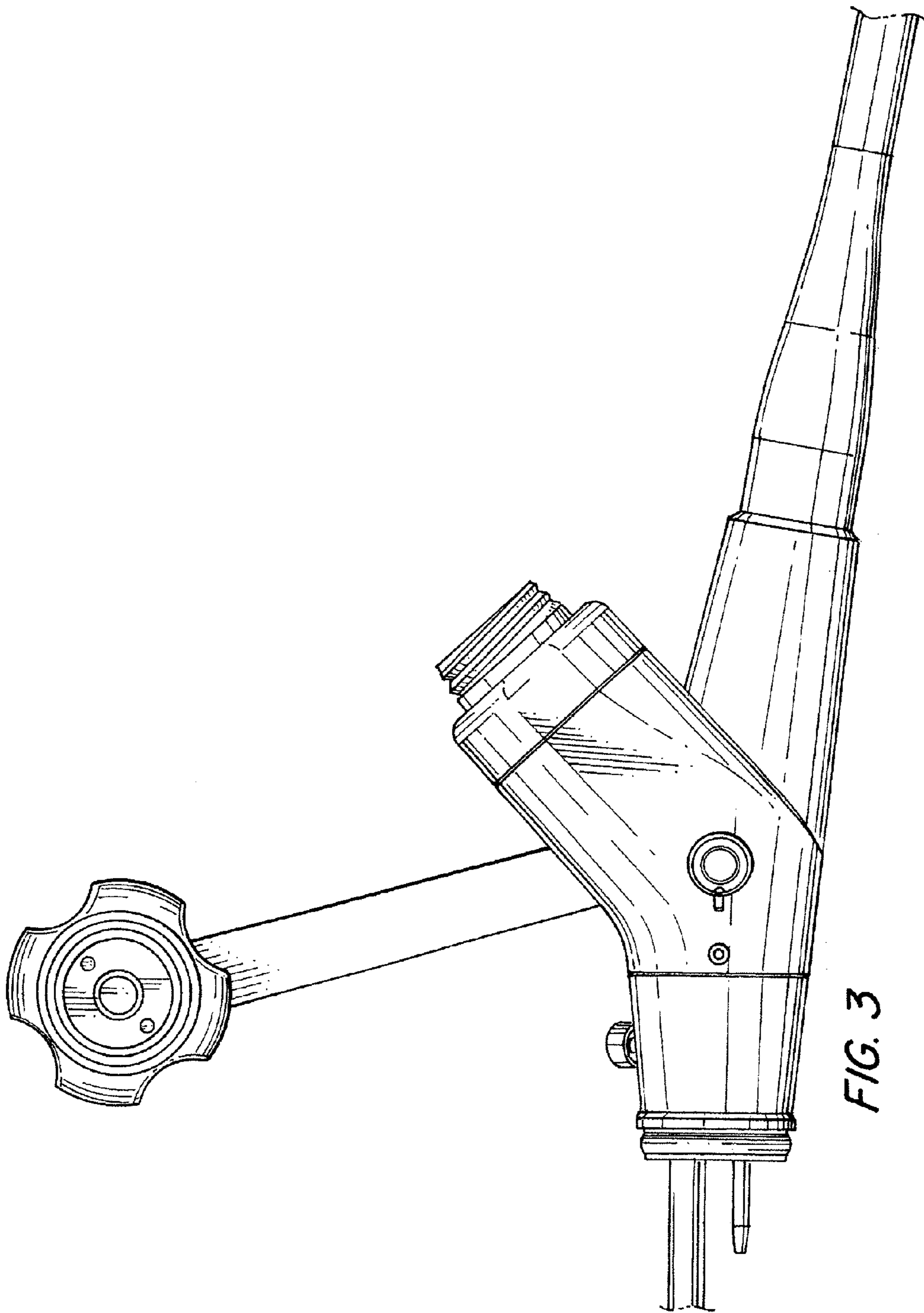


FIG. 3

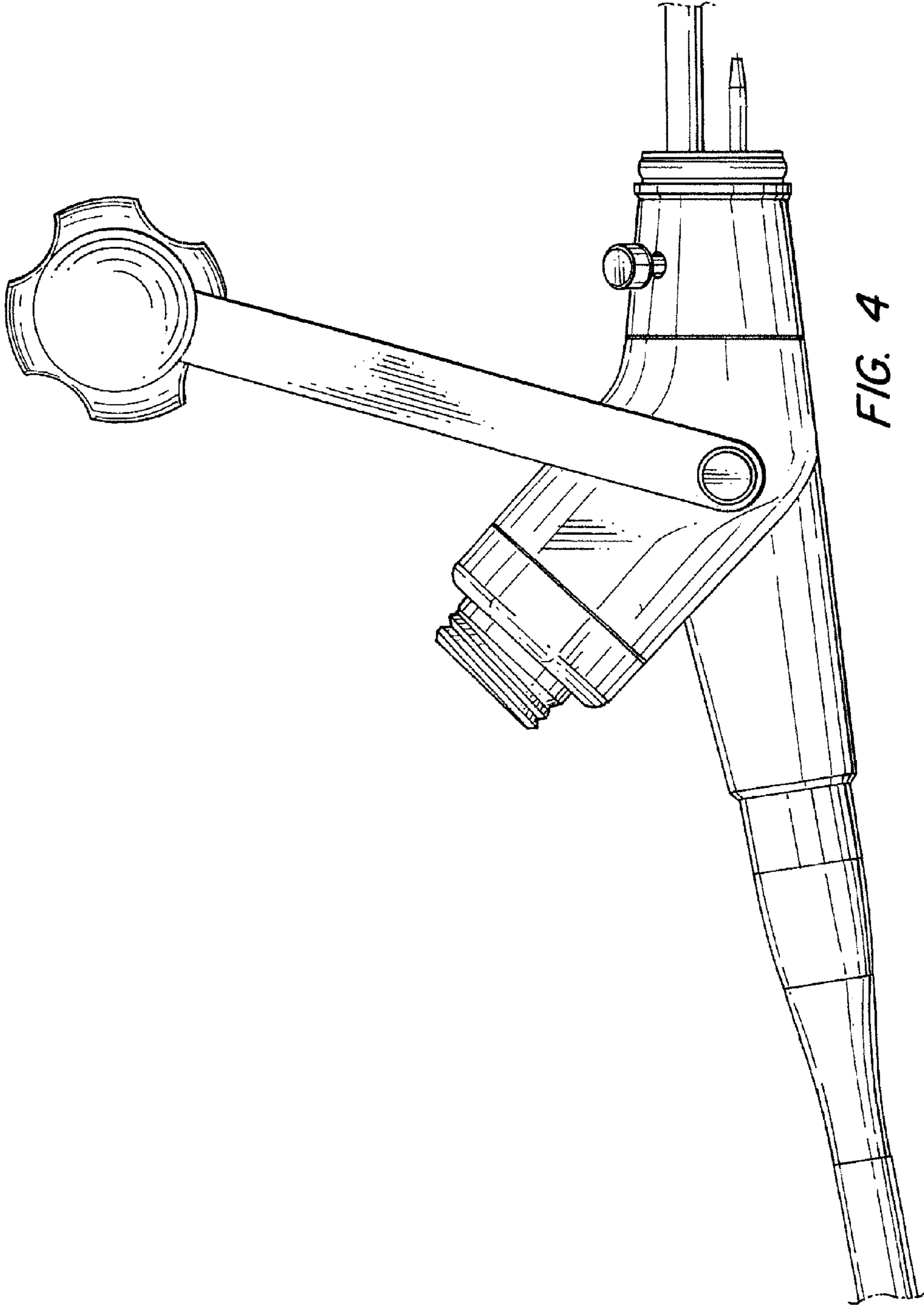


FIG. 4

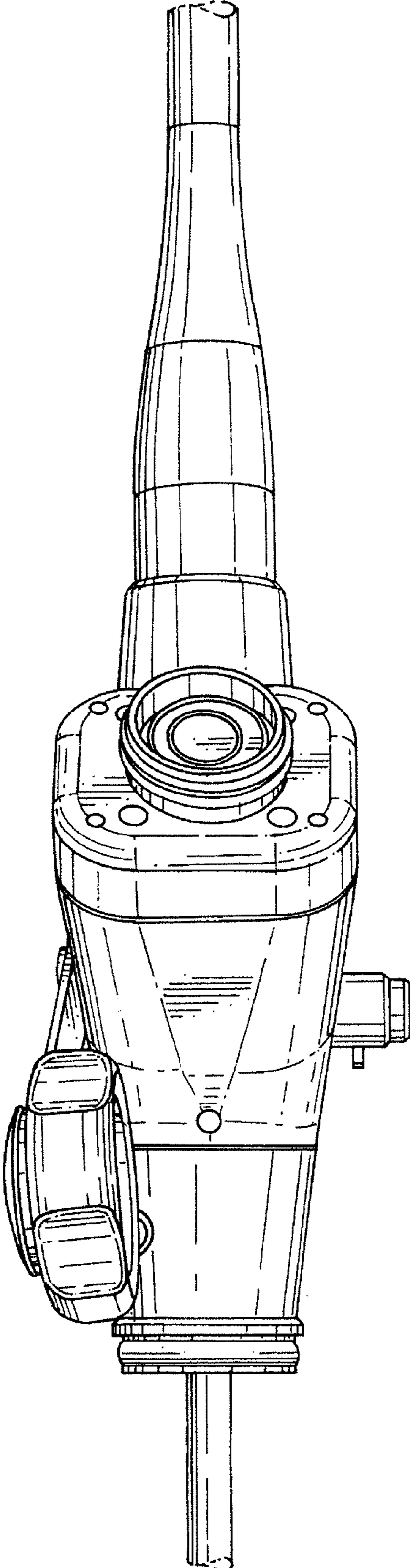


FIG. 5

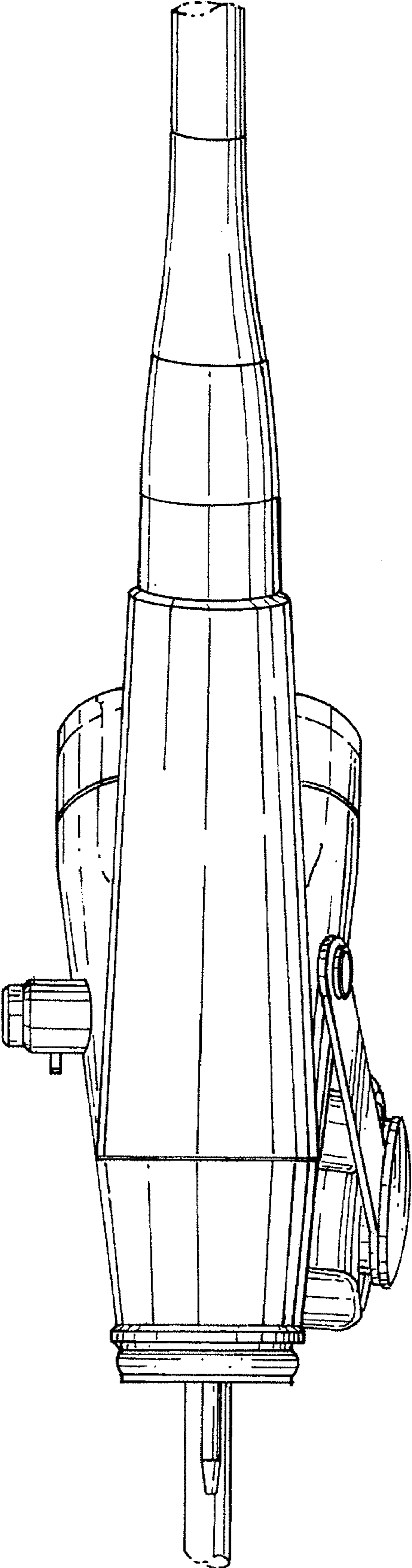


FIG. 6

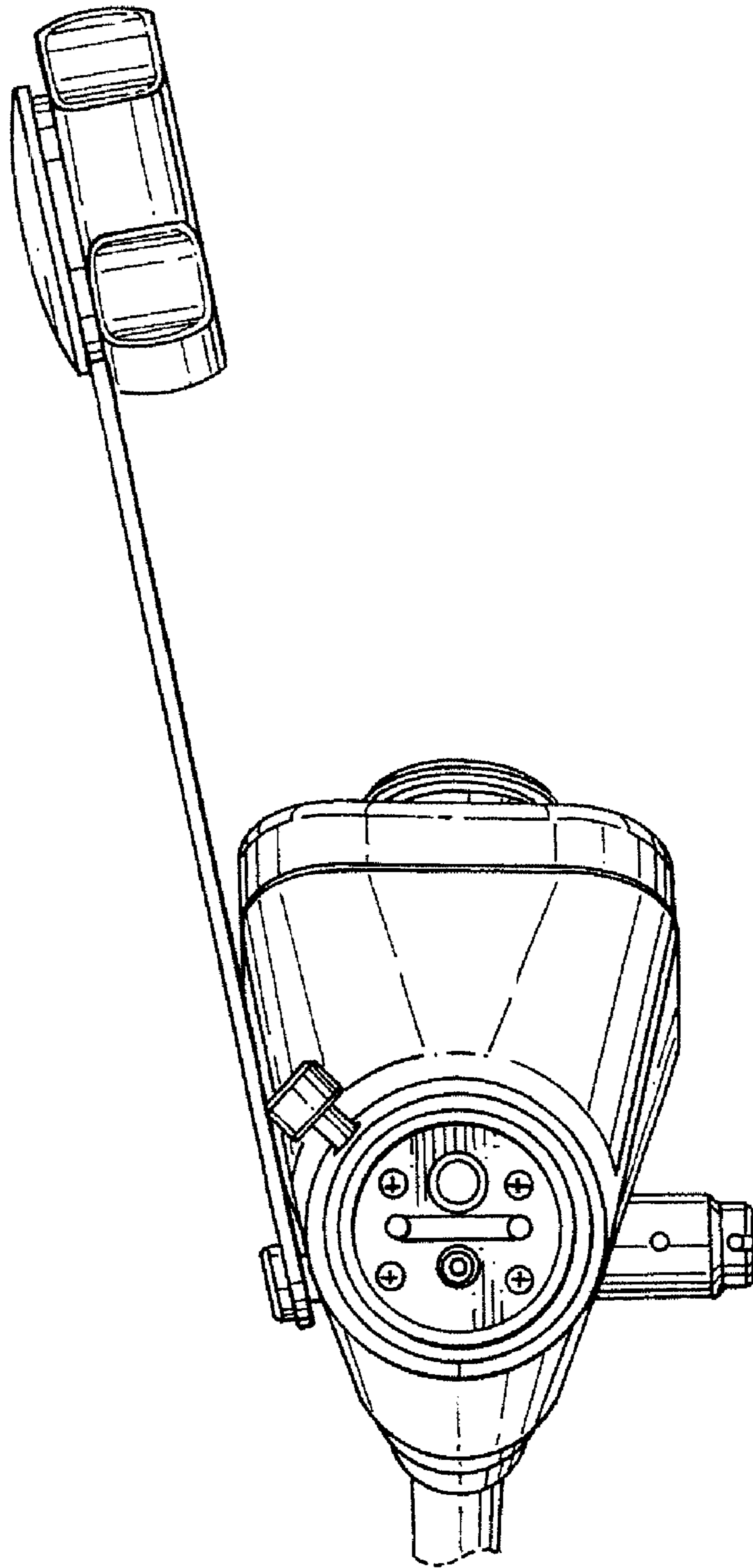


FIG. 7

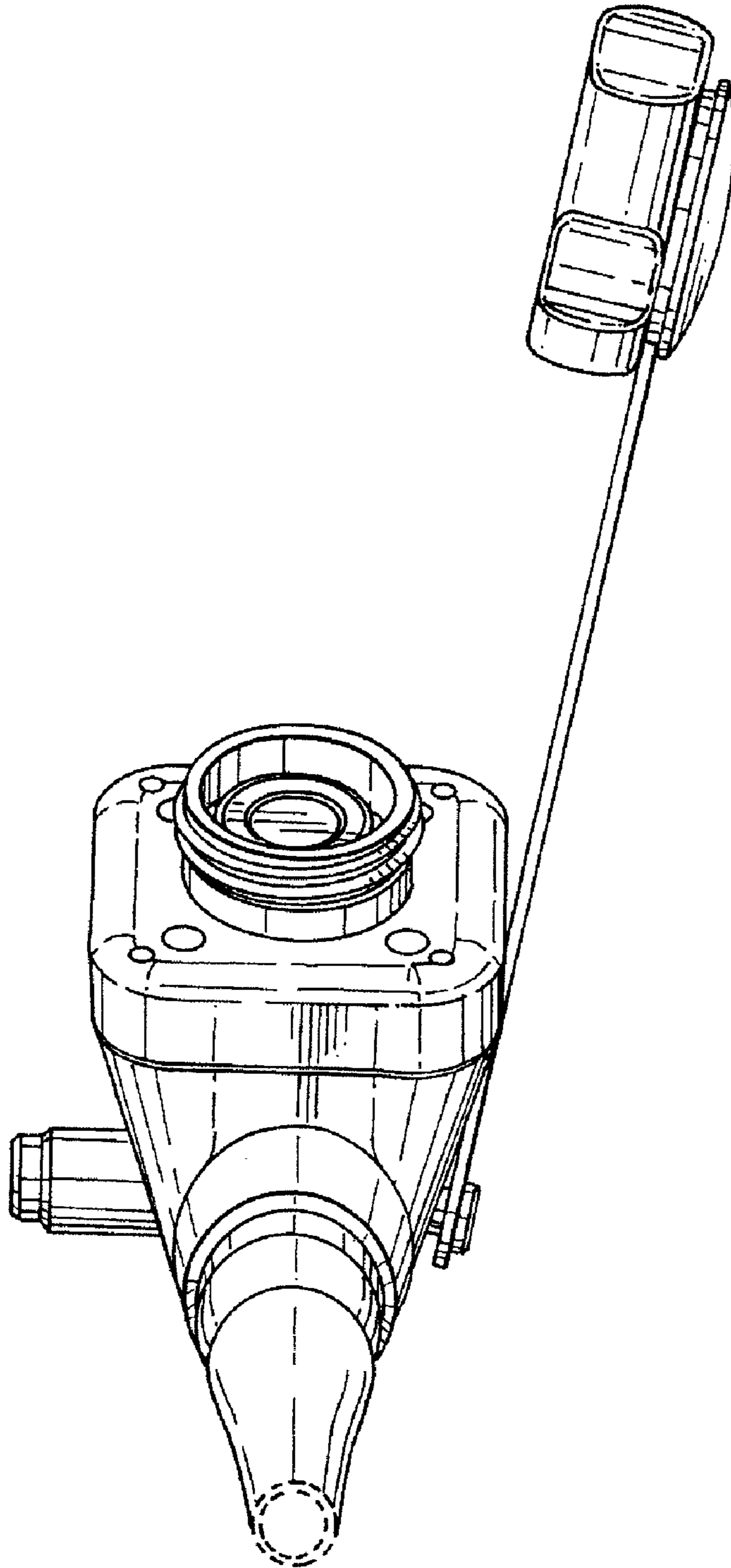


FIG. 8