



US00D534655S

(12) **United States Design Patent**
Iranyi et al.

(10) **Patent No.:** **US D534,655 S**

(45) **Date of Patent:** **** Jan. 2, 2007**

(54) **LIGHT SOURCE FOR MEDICAL PURPOSES**

(75) Inventors: **Daniel Iranyi**, Cham (CH); **Martin Schuetz**, Zurich (CH)

(73) Assignee: **Karl Storz GmbH & Co. KG** (DE)

(**) Term: **14 Years**

(21) Appl. No.: **29/233,472**

(22) Filed: **Jul. 5, 2005**

(30) **Foreign Application Priority Data**

Jan. 14, 2005 (EM) 000279872

(51) **LOC (8) Cl.** **24-02**

(52) **U.S. Cl.** **D24/138**

(58) **Field of Classification Search** D24/138,
D24/130, 150, 133, 137, 210, 144, 209, 231;
D26/49, 39; 600/452, 478, 101, 108, 122,
600/245, 248, 249; 362/551, 552, 553

See application file for complete search history.

(56) **References Cited**

U.S. PATENT DOCUMENTS

D289,926 S * 5/1987 Lonky D24/138
D424,197 S * 5/2000 Sydlowski et al. D24/144
D432,659 S * 10/2000 Bolleter D24/210
D434,147 S * 11/2000 Ward et al. D24/137

OTHER PUBLICATIONS

Karl Storz Catalog, Anesthesiologist and Emergency Medicine, 2nd Edition, Jan. 2002.

* cited by examiner

Primary Examiner—Ian Simmons

Assistant Examiner—Christopher Lee

(74) *Attorney, Agent, or Firm*—St. Onge Steward Johnston & Reens LLC

(57) **CLAIM**

The ornamental design for a light source for medical purposes, as shown and described.

DESCRIPTION

FIG. 1 is a front perspective view of a light source for medical purposes in accordance with the new design;

FIG. 2 is a rear perspective view of the light source for medical purposes of FIG. 1;

FIG. 3 is a top plan view of the light source for medical purposes of FIG. 1;

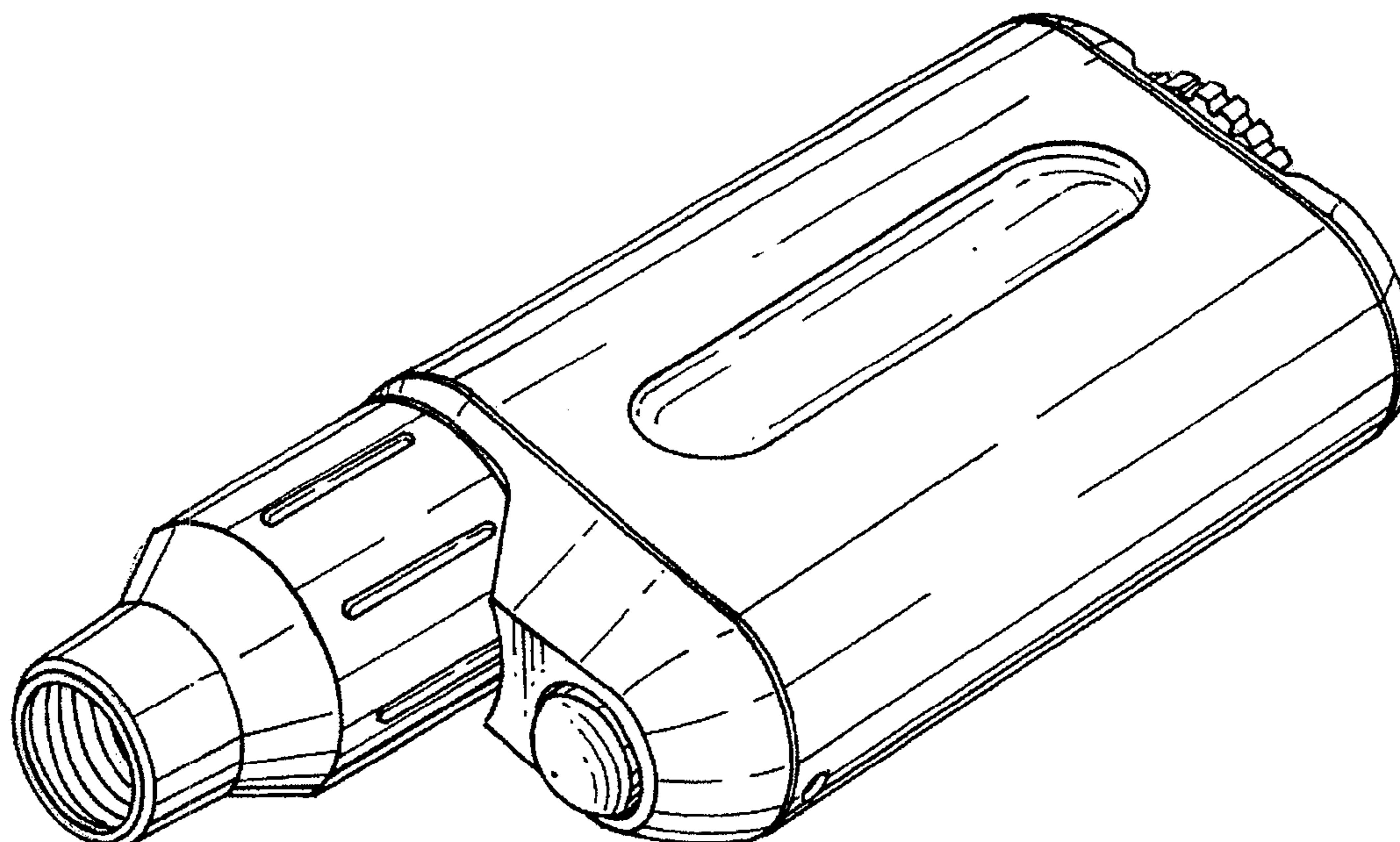
FIG. 4 is a side end view of the light source for medical purposes of FIG. 1;

FIG. 5 is a side end view of the light source for medical purposes of FIG. 1;

FIG. 6 is a front view of the light source for medical purposes of FIG. 1; and,

FIG. 7 is a rear view of the light source for medical purposes of FIG. 1.

1 Claim, 2 Drawing Sheets



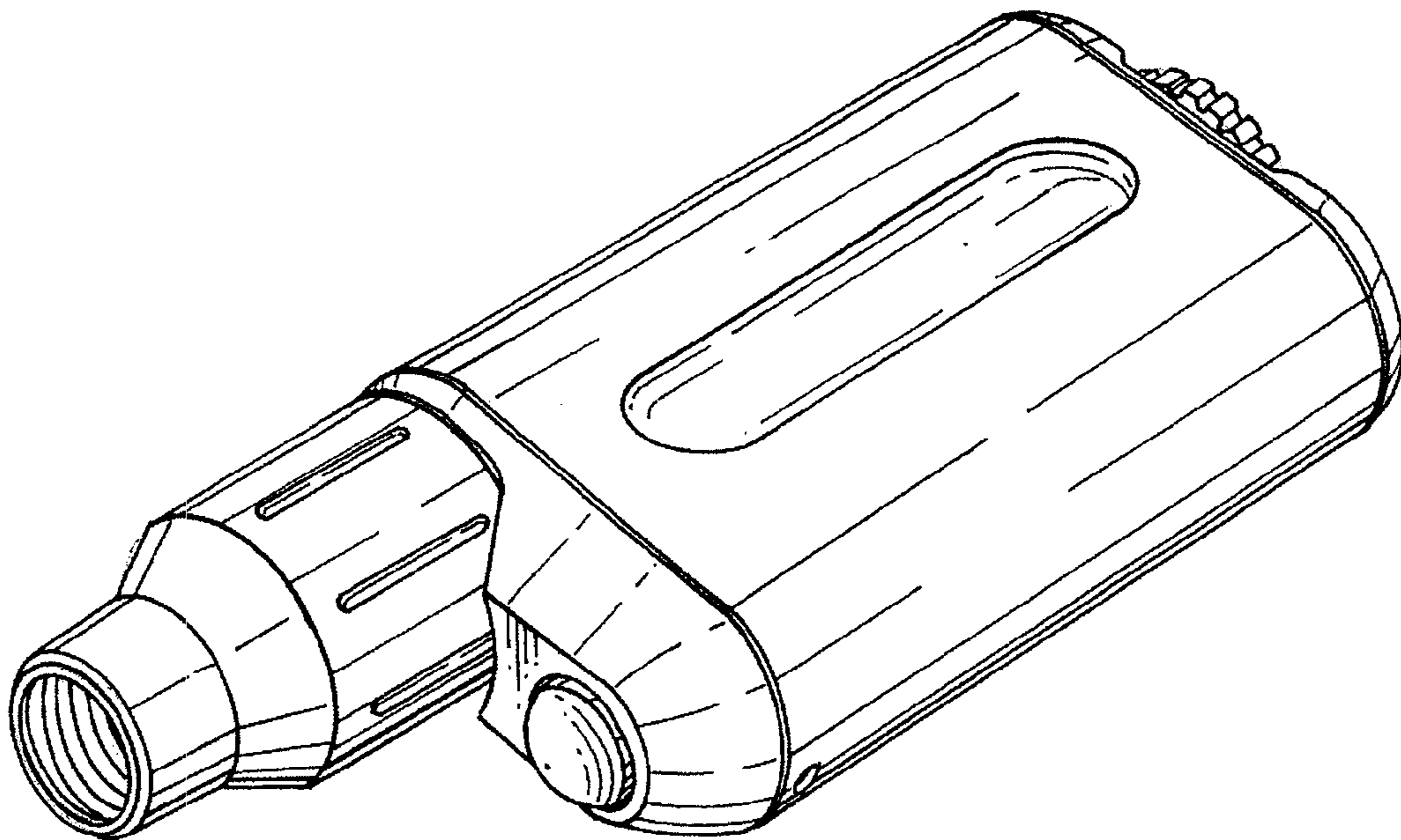


FIG. 1

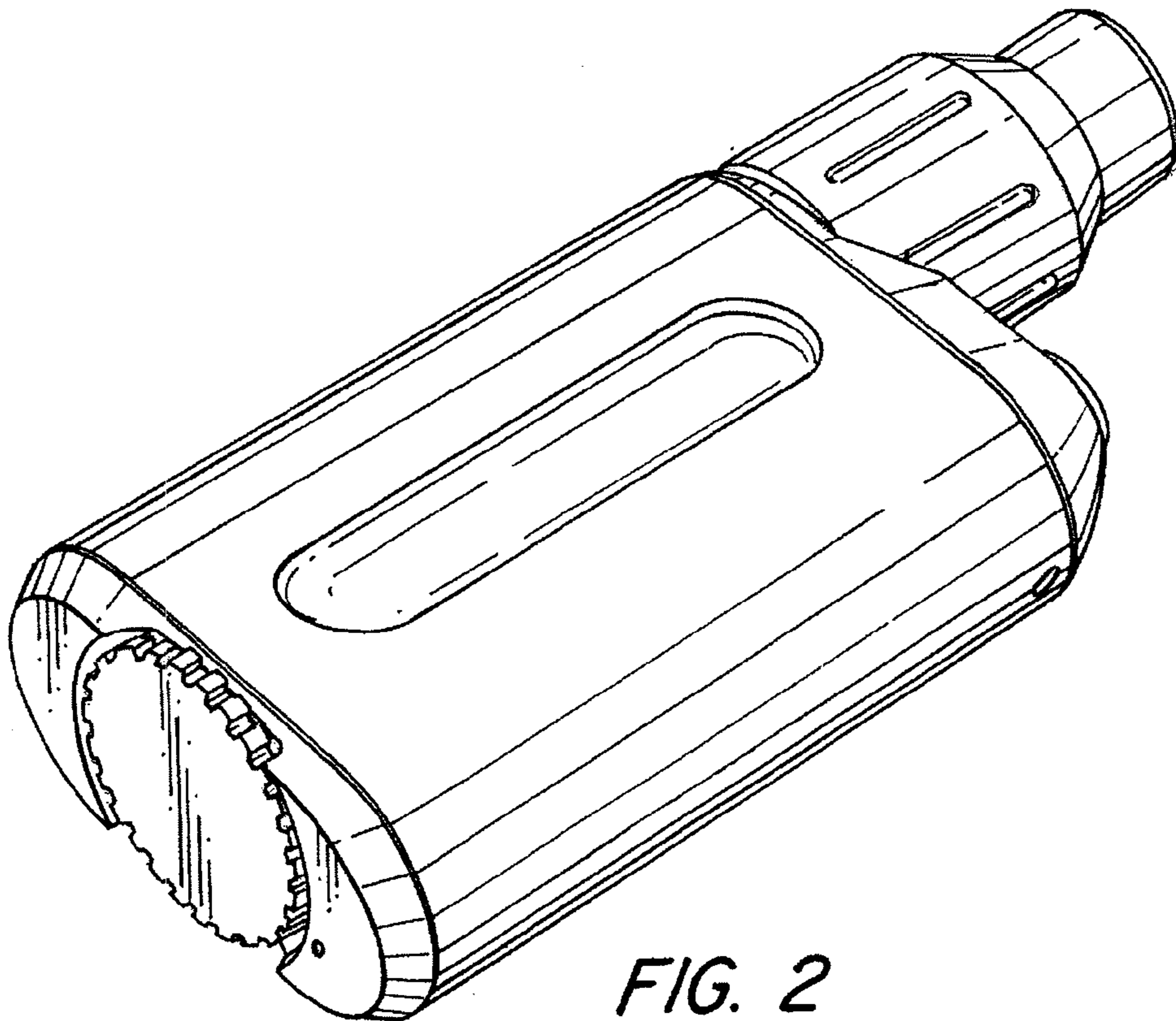


FIG. 2

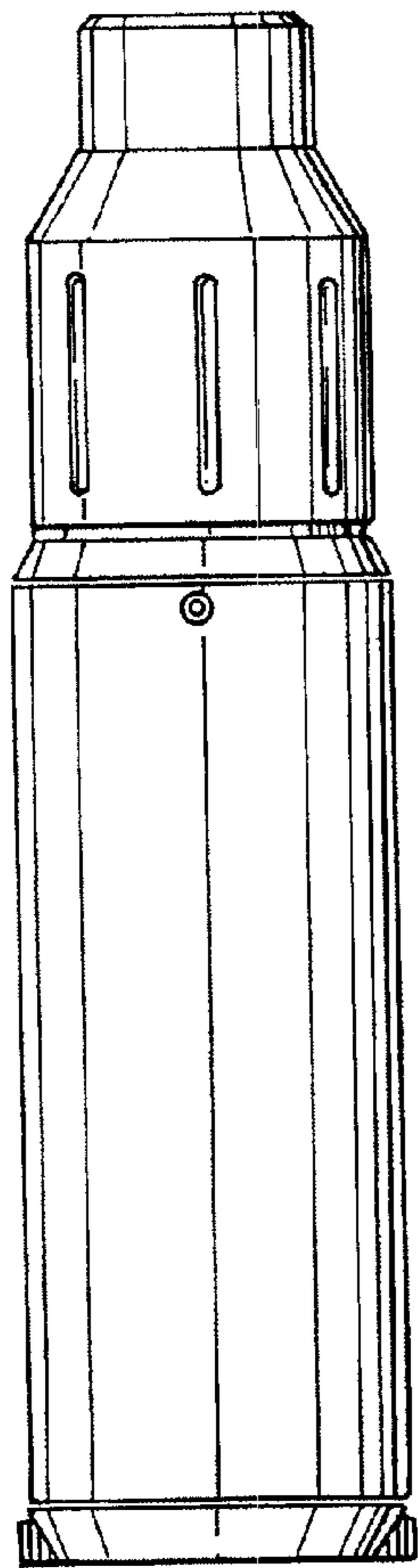


FIG. 4

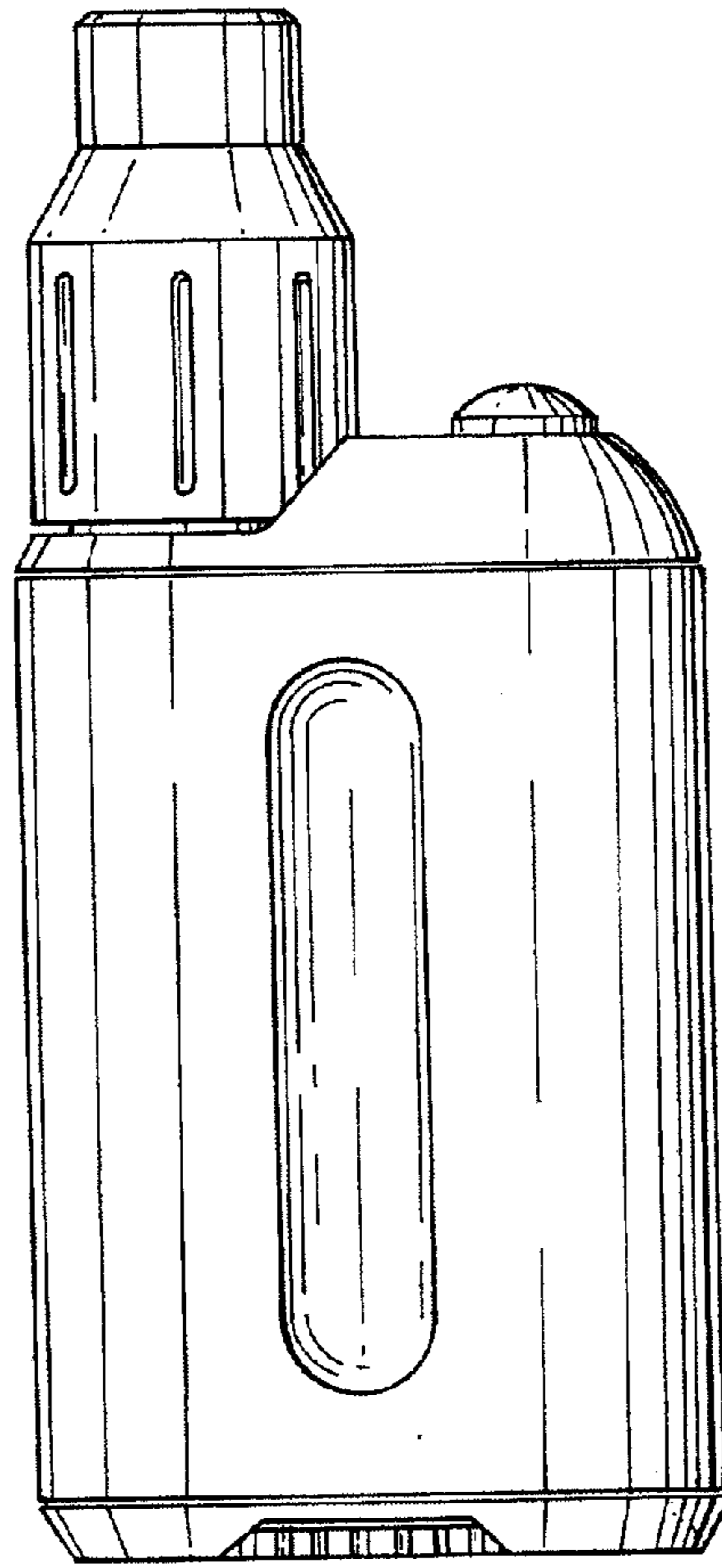


FIG. 3

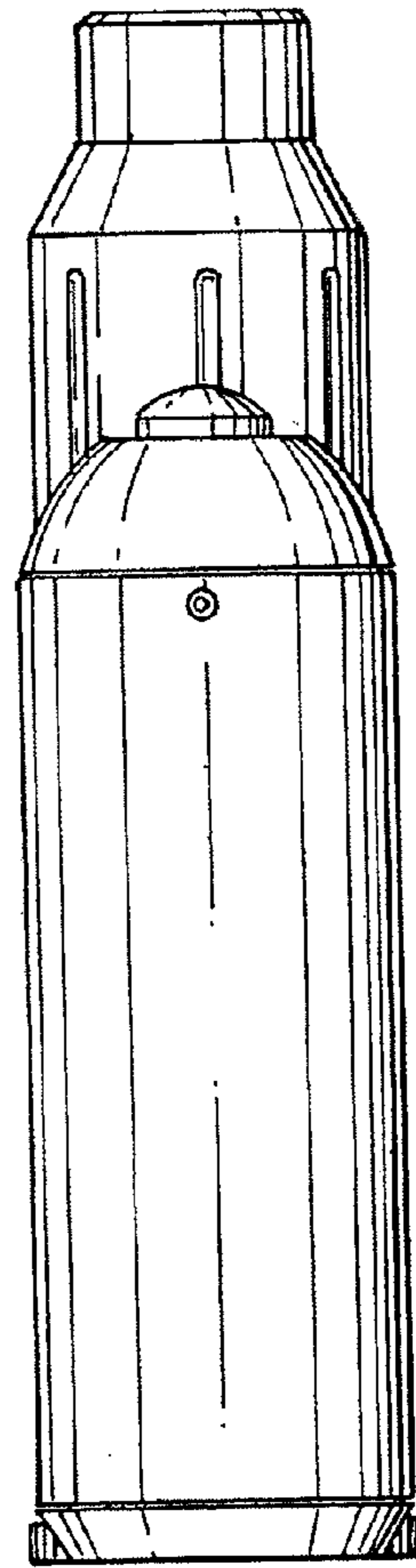


FIG. 5

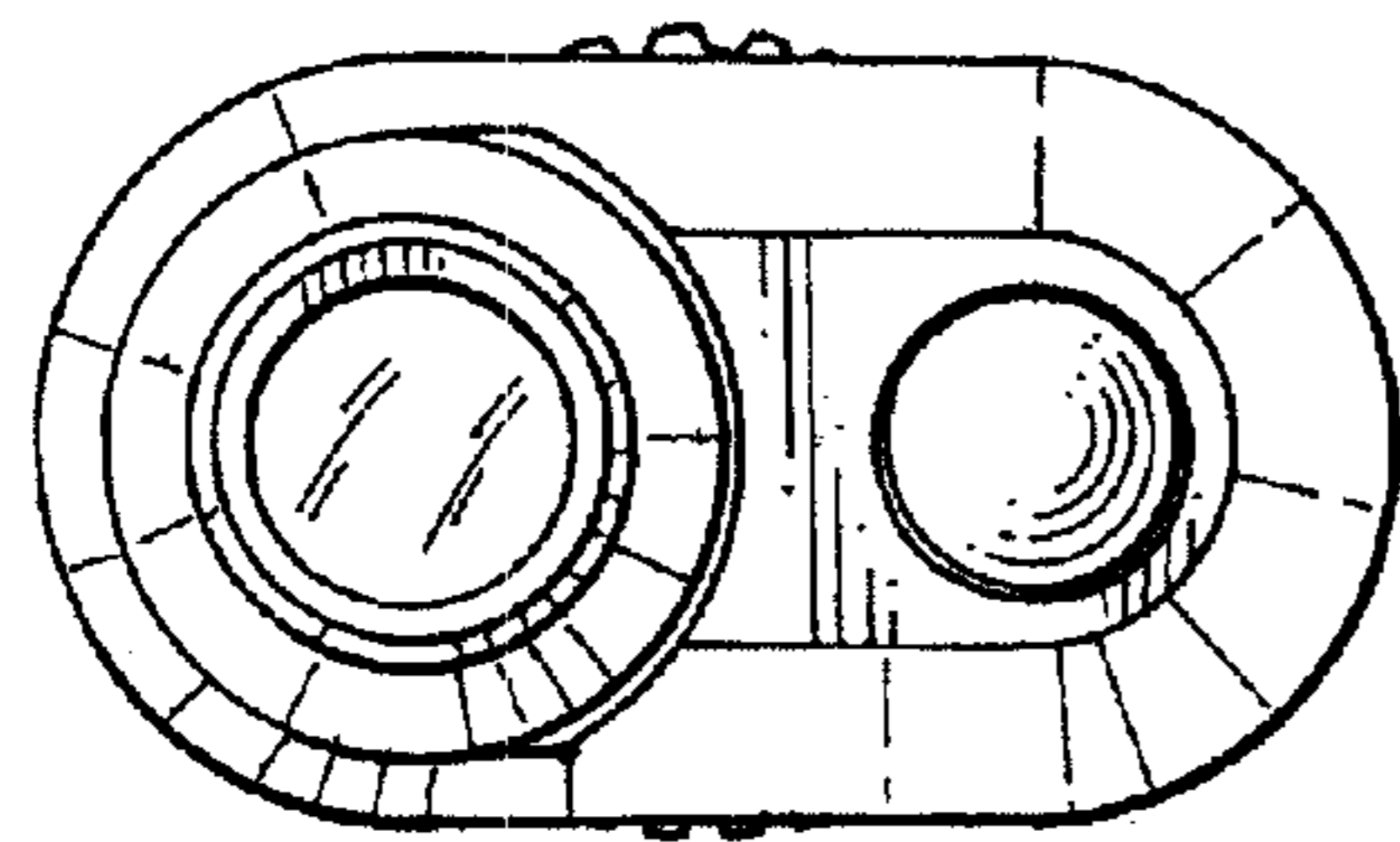


FIG. 6

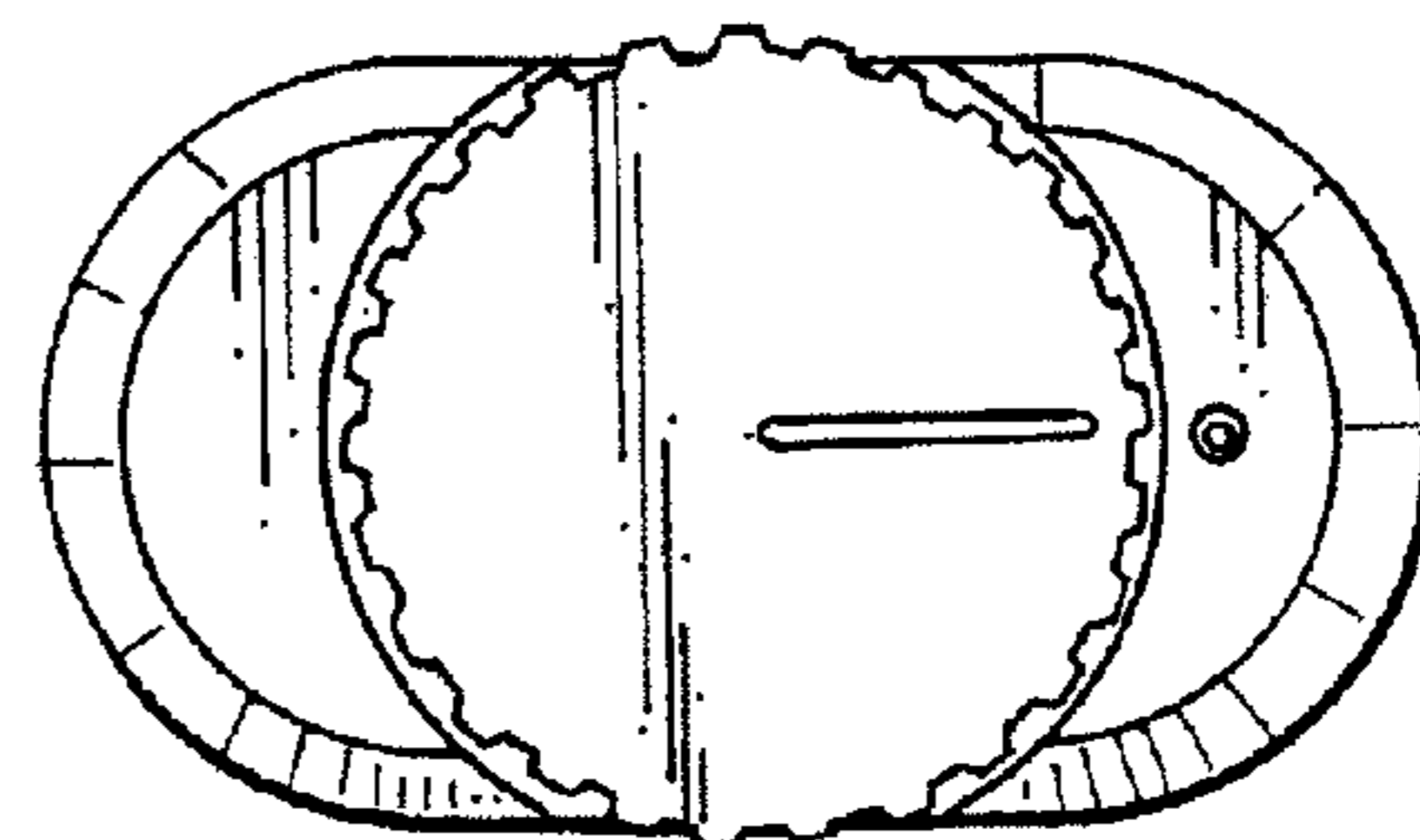


FIG. 7