



US00D534649S

(12) **United States Design Patent**
Haga et al.

(10) **Patent No.:** **US D534,649 S**
(45) **Date of Patent:** **** Jan. 2, 2007**

(54) **CATHETER PACKAGE WITH COLLECTION BAG**

(75) Inventors: **Knapp Carina Haga**, Göteborg (SE);
Kristina Kull Österlin, Öjersjö (SE)

(73) Assignee: **Astra Tech AB**, Molndal (SE)

(**) Term: **14 Years**

(21) Appl. No.: **29/216,854**

(22) Filed: **Nov. 10, 2004**

(30) **Foreign Application Priority Data**

Jun. 8, 2004 (EM) 000187448

(51) **LOC (8) Cl.** **24-02**

(52) **U.S. Cl.** **D24/117**

(58) **Field of Classification Search** 206/210,
206/363-364, 571; 604/265, 544, 317, 540,
604/328, 523, 264, 508; D24/117; D9/415

See application file for complete search history.

(56) **References Cited**

U.S. PATENT DOCUMENTS

- 3,308,824 A 3/1967 Gandy
- 5,336,205 A * 8/1994 Zenzen et al. 604/508
- D400,093 S 10/1998 Israelsson et al.
- 6,409,717 B1 * 6/2002 Israelsson et al. 206/364
- 6,634,498 B1 * 10/2003 Kayeørd et al. 206/364
- 6,706,025 B1 * 3/2004 Engelson et al. 604/265
- D496,266 S * 9/2004 Nestenborg D9/415
- D498,671 S * 11/2004 Nestenborg D9/415
- D498,672 S * 11/2004 Nestenborg D9/415
- 6,849,070 B1 * 2/2005 Hansen et al. 604/328
- D503,335 S 3/2005 Risberg et al.
- 2001/0054562 A1 12/2001 Pettersson et al.
- 2002/0156440 A1 * 10/2002 Israelsson et al. 604/328

FOREIGN PATENT DOCUMENTS

CA 677593 1/1964

OTHER PUBLICATIONS

Three photographs of "Sure Cath" catheter package and collection bag with cover, Coloplast A/S, Humlebaek, Denmark, Nov. 2000.

Three photographs of "IdroCath" catheter package and collection bag with cover, Jul. 2002.

"Registeringstidning for monster/M ans nr 85-1967," Apr. 9, 1986, Astra Meditec Aktiebolag, Moindal, Sweden.

* cited by examiner

Primary Examiner—Louis S. Zarfaz

Assistant Examiner—Daniel Yu

(74) *Attorney, Agent, or Firm*—Birch, Stewart, Kolasch & Birch, LLP

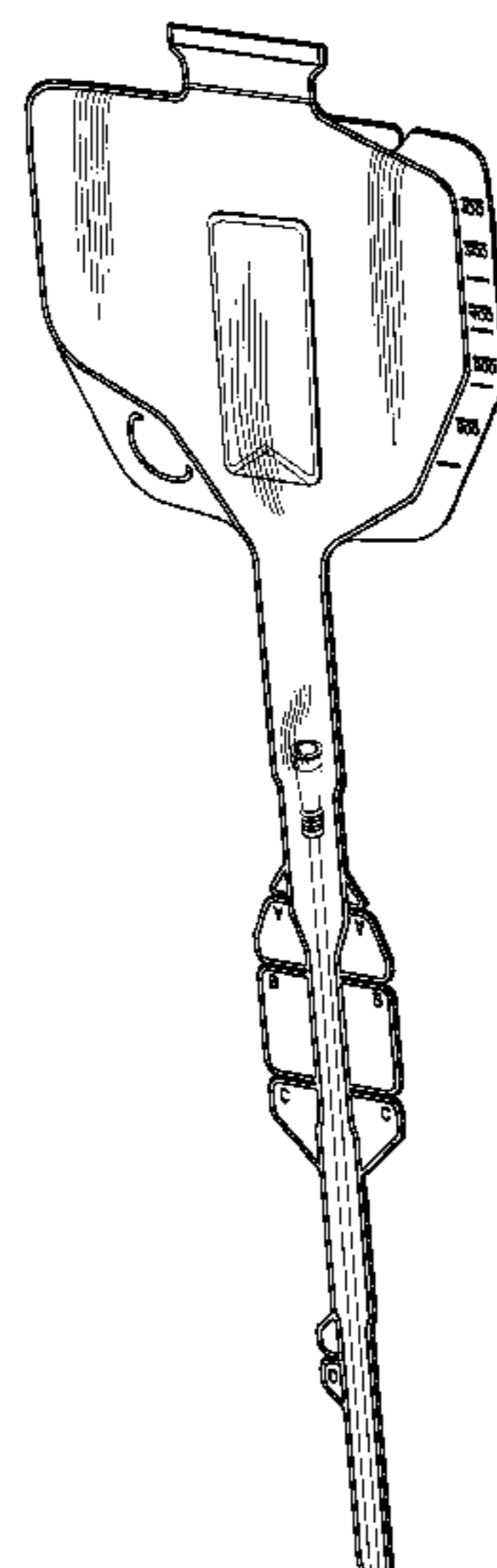
(57) **CLAIM**

The ornamental design for a catheter package with collection bag, as shown and described.

DESCRIPTION

FIG. 1 is a perspective view of a catheter package with collection bag showing my new design;
 FIG. 2 is a rear elevational view thereof;
 FIG. 3 is a left side elevational view thereof;
 FIG. 4 is a top plan view thereof;
 FIG. 5 is a bottom plan view thereof;
 FIG. 6 is a front elevational view thereof;
 FIG. 7 is a right side elevational view thereof;
 FIG. 8 is a perspective view of a second embodiment of a showing my new catheter package with collection bag design;
 FIG. 9 is a top plan view thereof;
 FIG. 10 is a rear elevational view thereof;
 FIG. 11 is a left side elevational view thereof;
 FIG. 12 is a bottom plan view thereof;
 FIG. 13 is a right side elevational view thereof; and,
 FIG. 14 is a front elevational view thereof;

1 Claim, 6 Drawing Sheets



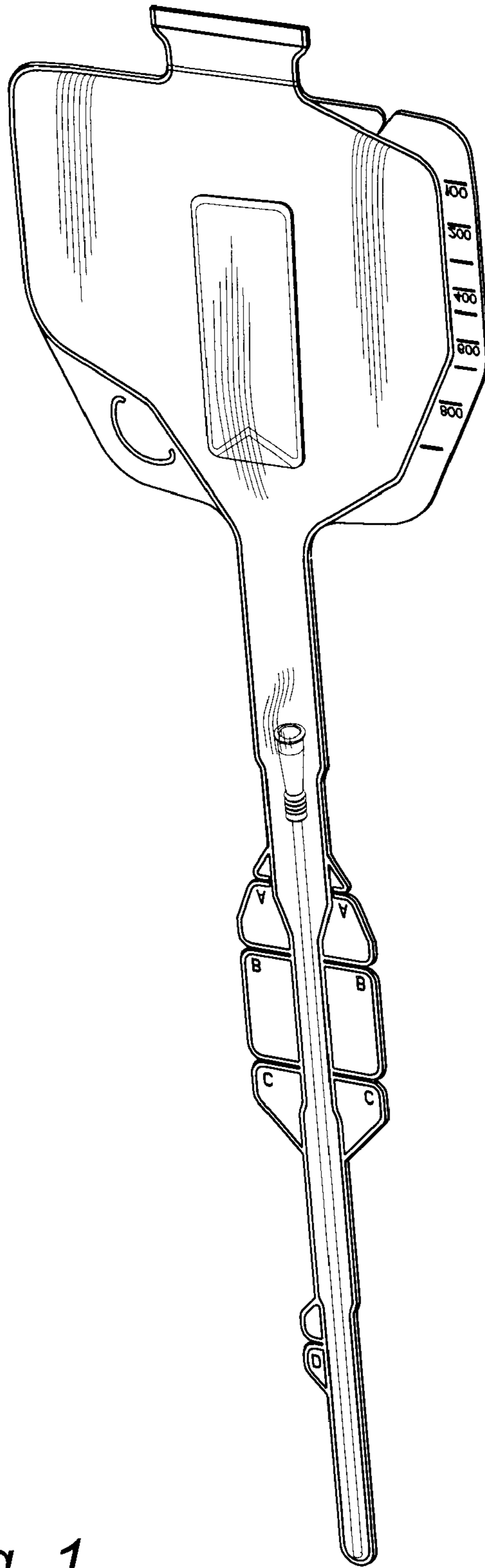


Fig. 1

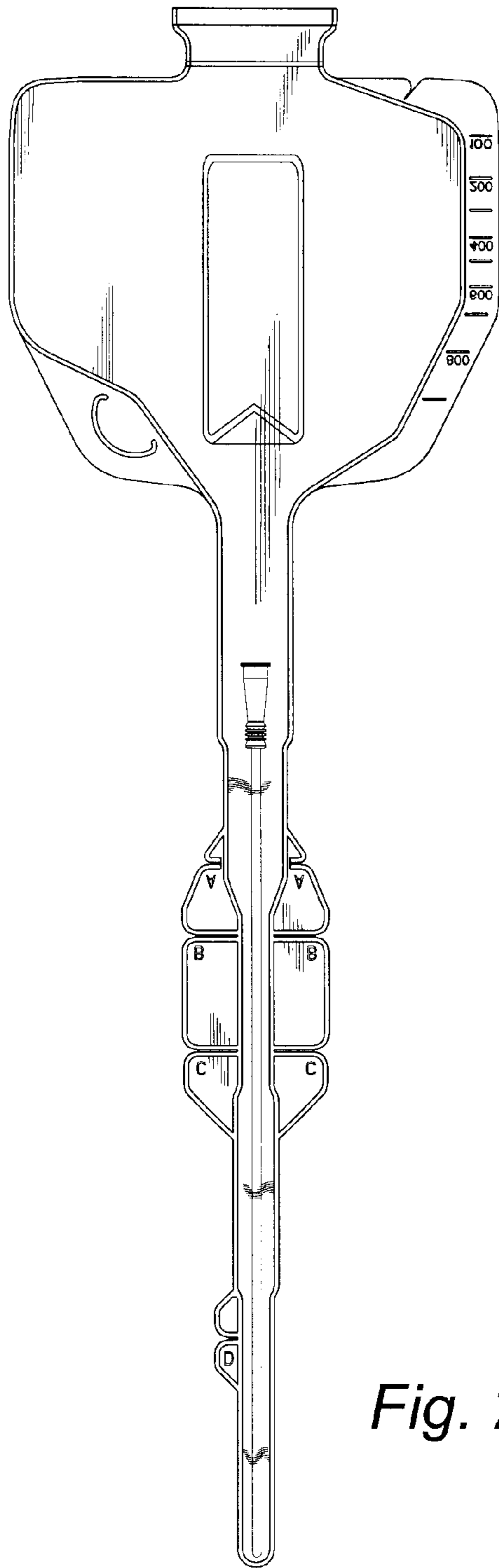


Fig. 2

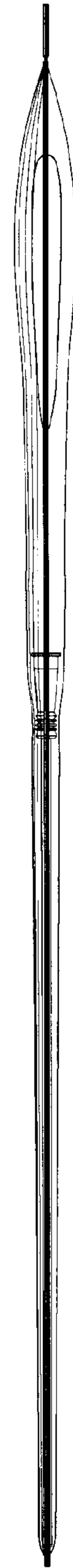


Fig. 3

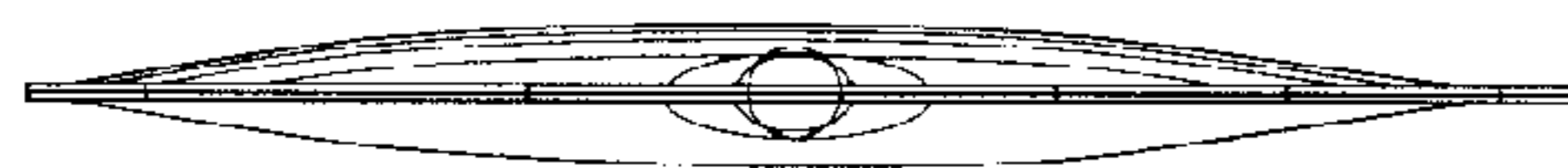


Fig. 4

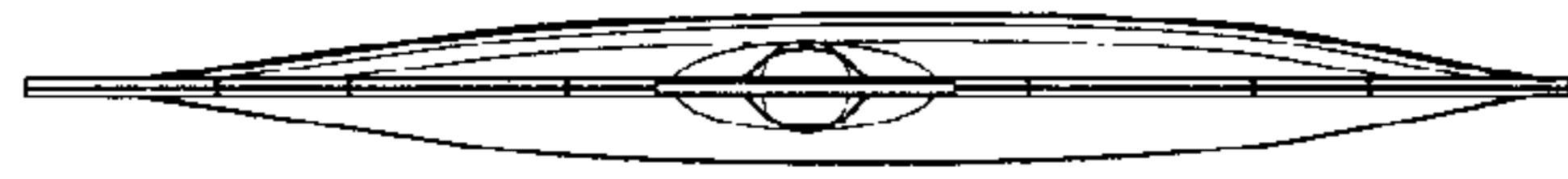


Fig. 5

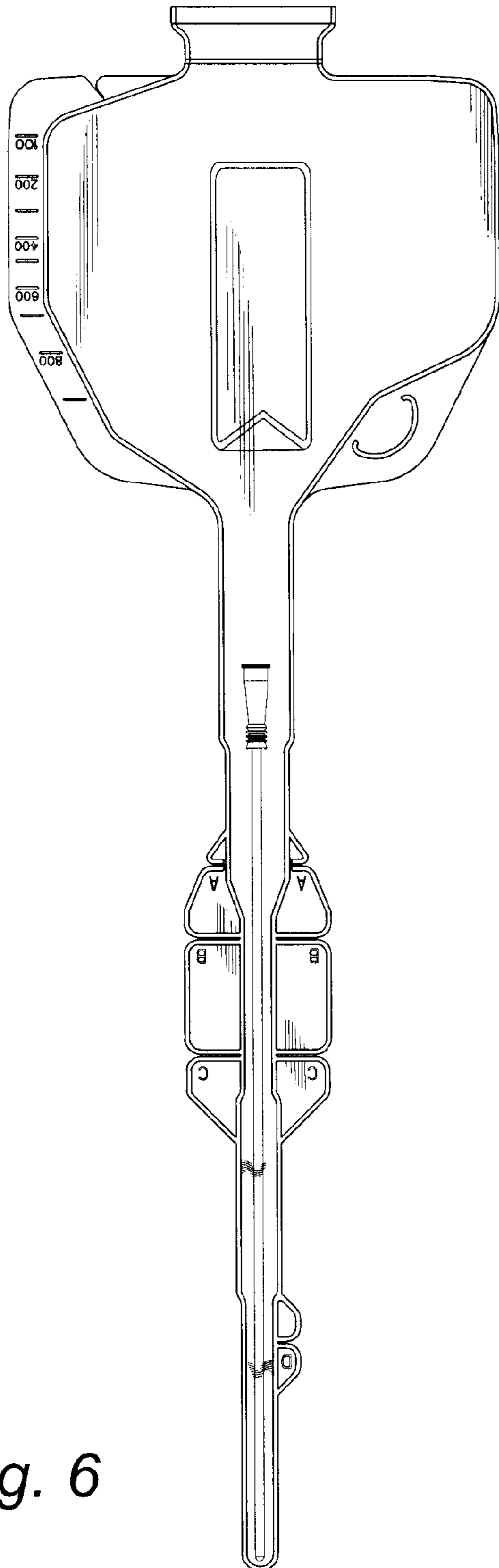


Fig. 6

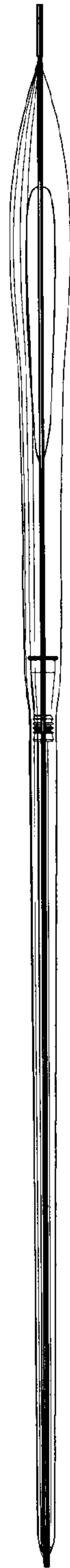


Fig. 7

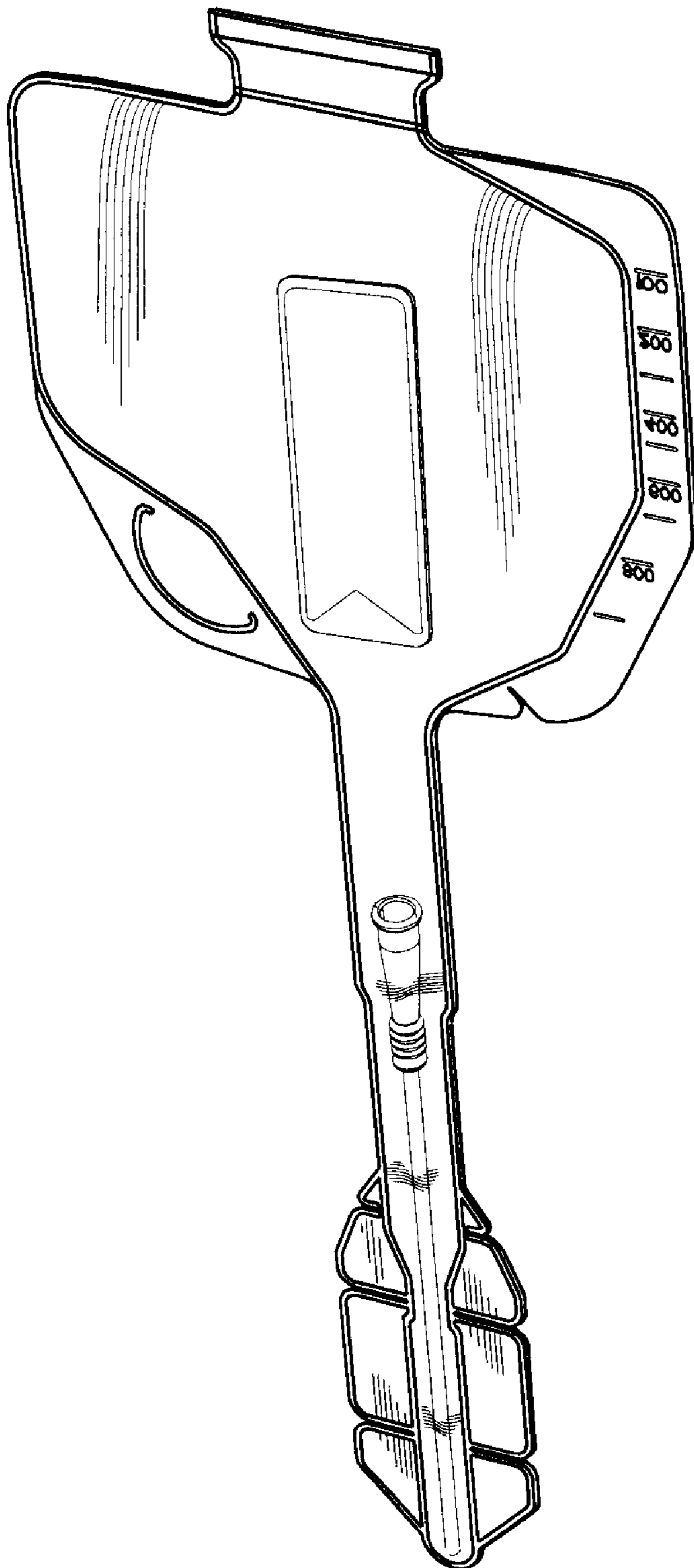


Fig. 8



Fig. 9

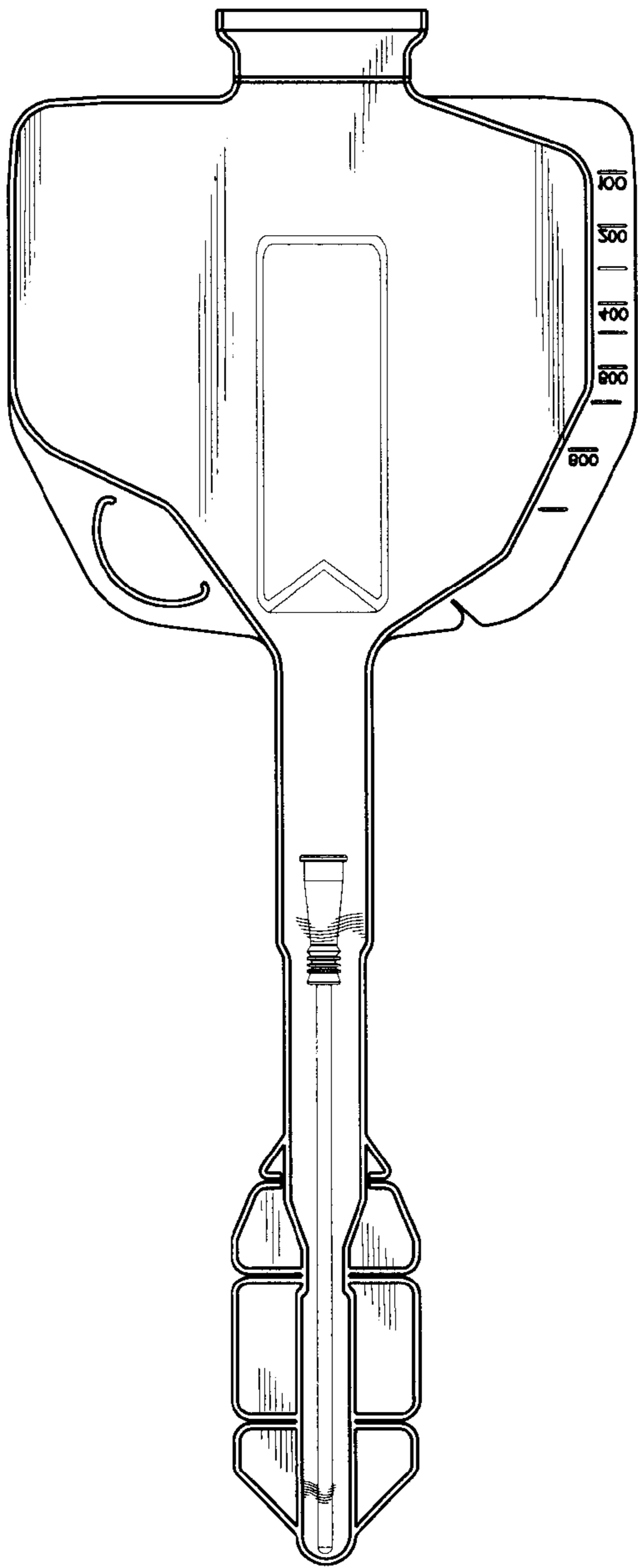


Fig. 10

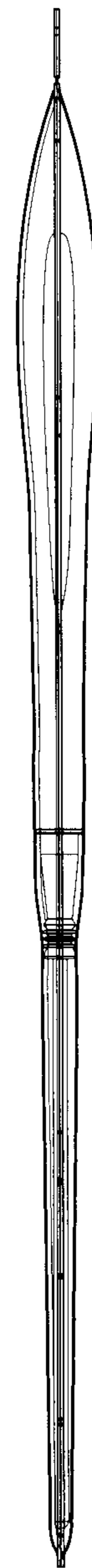


Fig. 11



Fig. 12

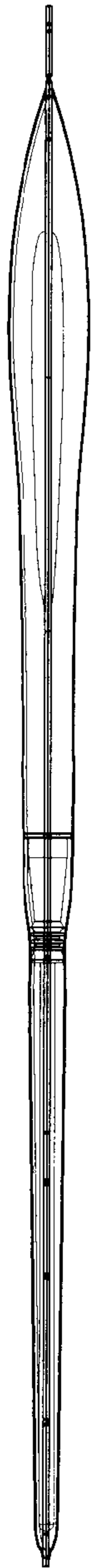


Fig. 13

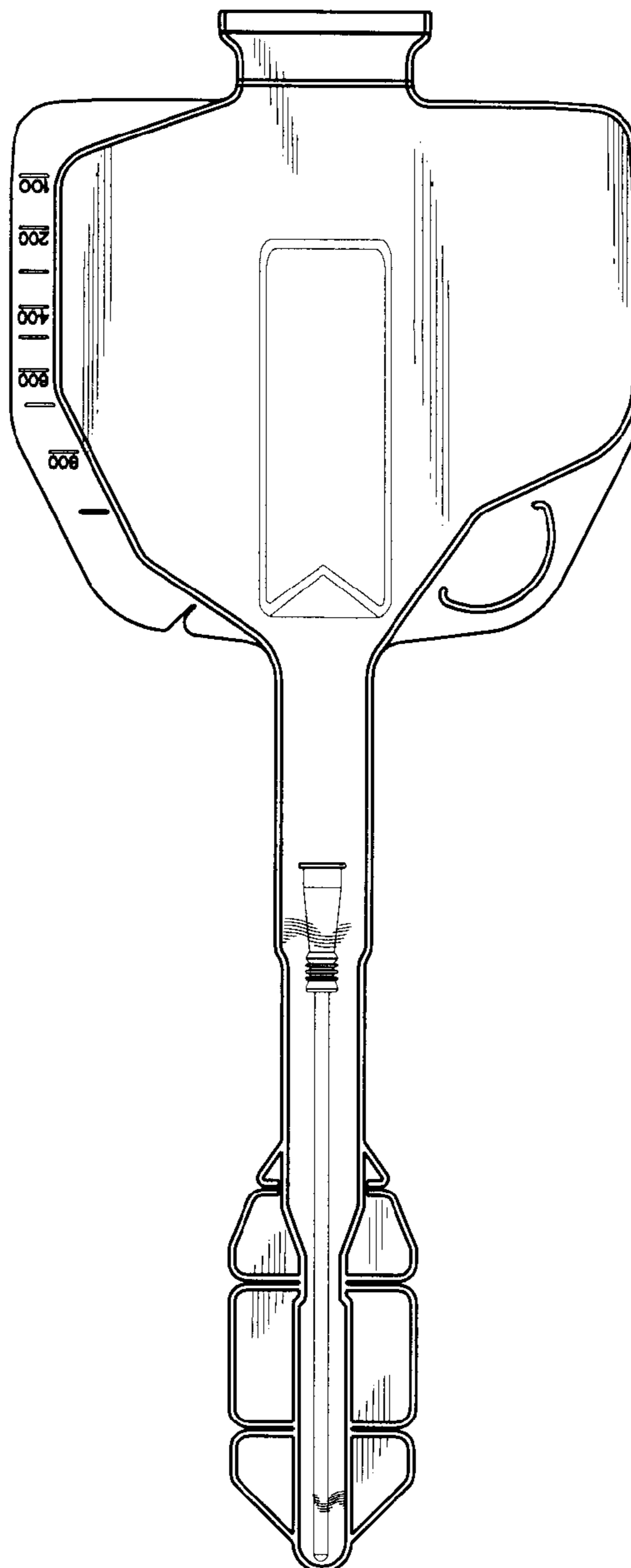


Fig. 14