



US00D534648S

(12) **United States Design Patent**
Zahn et al.

(10) **Patent No.:** **US D534,648 S**
(45) **Date of Patent:** **** Jan. 2, 2007**

(54) **DISPENSING CONTAINER**
(75) Inventors: **Walter Zahn**, Columbia, SC (US);
Shawn W. Miller, Columbia, SC (US);
David Rocheleau, Lexington, SC (US);
Mohammad R. Sadeghi, Columbia, SC
(US); **Bernd Hansen**, Laufen (DE)

(73) Assignee: **Holopack International Corp.**,
Columbia, SC (US)

(**) Term: **14 Years**

(21) Appl. No.: **29/218,001**

(22) Filed: **Nov. 24, 2004**

(51) **LOC (8) Cl.** **24-02**

(52) **U.S. Cl.** **D24/115**

(58) **Field of Classification Search** D24/117,
D24/112, 130, 115, 224; D9/696; 222/541.1,
222/541.3, 541.4, 541.6, 541.9, 143, 206,
222/92; 206/528, 530; 604/217, 212, 206,
604/92; 215/DIG. 3

See application file for complete search history.

(56) **References Cited**

U.S. PATENT DOCUMENTS

201,369 A	3/1878	Walker	
442,696 A	12/1890	Thompson	
D24,197 S	4/1895	Nye	
D24,528 S	8/1895	Tilton	
D34,314 S	4/1901	Day	
878,524 A	2/1908	Gregory et al.	
D43,936 S	4/1913	Nerney	
D52,688 S	11/1918	Westbrook	
1,661,595 A	3/1928	Bowen	
2,293,922 A	8/1942	Serinis	221/148
2,688,243 A	9/1954	Bowen	68/213
RE24,251 E	12/1956	Kaplan et al.	222/107
2,795,043 A	6/1957	Fleischer	30/123
3,045,879 A	7/1962	Daly	222/482
3,090,071 A	5/1963	Brooy	15/595
3,116,152 A	12/1963	Smith	99/171
3,133,679 A	5/1964	Brown	222/205
3,356,244 A	12/1967	Witchell	215/32

3,410,457 A	11/1968	Brown	222/191
3,473,221 A	10/1969	Flanders	30/141
3,946,652 A	3/1976	Gorin	99/323
3,993,223 A	11/1976	Welker, III et al.	222/107
4,087,002 A	5/1978	Bambara et al.	206/523
4,182,002 A	1/1980	Holec	17/30
4,192,360 A	3/1980	Rodriquez	141/24
4,207,990 A	6/1980	Weiler et al.	220/267
D258,534 S	* 3/1981	Nagel	D24/224
4,298,045 A	11/1981	Weiler et al.	150/0.5
D282,348 S	1/1986	Federighi	D9/341
4,830,222 A	5/1989	Read	222/106
4,841,637 A	6/1989	Scholzen	30/125
4,880,409 A	11/1989	Winblad et al.	604/73

(Continued)

OTHER PUBLICATIONS

UK Patent Application GB 2 083 341 A, published Mar. 24, 1982, Tsai, entitled "Article of table cutlery".

Primary Examiner—Louis S. Zarfaz

Assistant Examiner—Daniel Yu

(74) *Attorney, Agent, or Firm*—Nelson Mullins Riley & Scarborough, LLP

(57) **CLAIM**

The ornamental design for a dispensing container, substantially as shown and described.

DESCRIPTION

FIG. 1 illustrates a perspective view of an embodiment of the present dispensing container;

FIG. 2 shows a side view of the dispensing container illustrated in FIG. 1;

FIG. 3 shows the front view of the dispensing container;

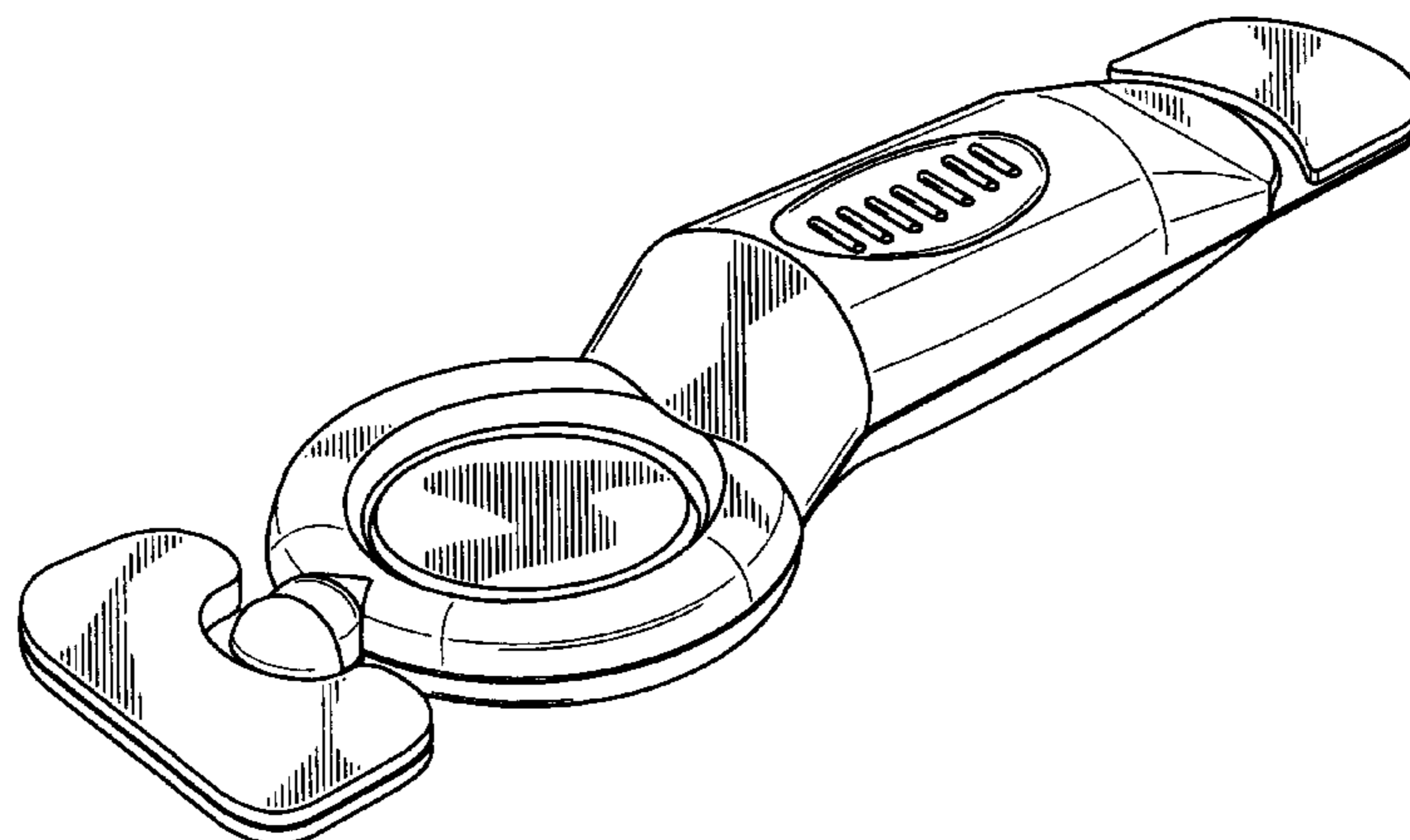
FIG. 4 shows the rear view of the dispensing container;

FIG. 5 shows the top view of the dispensing container;

FIG. 6 shows the bottom view of the dispensing container; and,

FIG. 7 is a perspective view of the dispensing container illustrating the container after breakage of the breakable seal and removal of the tab to expose the outlet.

1 Claim, 3 Drawing Sheets



US D534,648 S

Page 2

U.S. PATENT DOCUMENTS

4,888,188 A	12/1989	Castner, Sr. et al.	426/109	5,902,298 A	5/1999	Niedospial, Jr. et al.	604/414
4,890,744 A	1/1990	Lane, Jr. et al.	206/632	5,908,124 A	6/1999	Klauke et al.	215/48
D312,209 S	* 11/1990	Morrow et al.	D24/117	5,975,305 A	11/1999	Barger	206/572
5,035,689 A	7/1991	Schroeder	604/234	6,113,008 A	9/2000	Arsenault et al.	239/337
5,038,476 A	8/1991	McCrea	30/141	6,173,852 B1	1/2001	Browne	215/247
5,038,974 A	8/1991	DaCosta	222/106	6,264,074 B1	7/2001	Emilsson	222/527
5,062,550 A	11/1991	Singh	222/80	6,283,320 B1	9/2001	Patch	220/88.1
5,088,849 A	2/1992	Johnson et al.	401/44	6,347,727 B1	2/2002	Diaz	222/101
5,154,318 A	10/1992	Lampard	222/105	6,357,450 B1	3/2002	Paice	132/114
5,409,125 A	4/1995	Kimber et al.	215/32	6,357,626 B1	3/2002	Zhang et al.	222/78
D368,209 S	3/1996	Decker	D7/653	D458,366 S	* 6/2002	Hellberg et al.	D24/115
D369,212 S	* 4/1996	Snell	D24/117	6,626,308 B1	9/2003	Weiler	215/48
5,556,008 A	9/1996	Silver et al.	222/192	D492,407 S	* 6/2004	Masuda et al.	D24/115
D392,184 S	* 3/1998	Weiler	D9/696	D496,833 S	10/2004	Lantz	D7/653
5,817,082 A	10/1998	Niedospial, Jr. et al.	604/414				

* cited by examiner

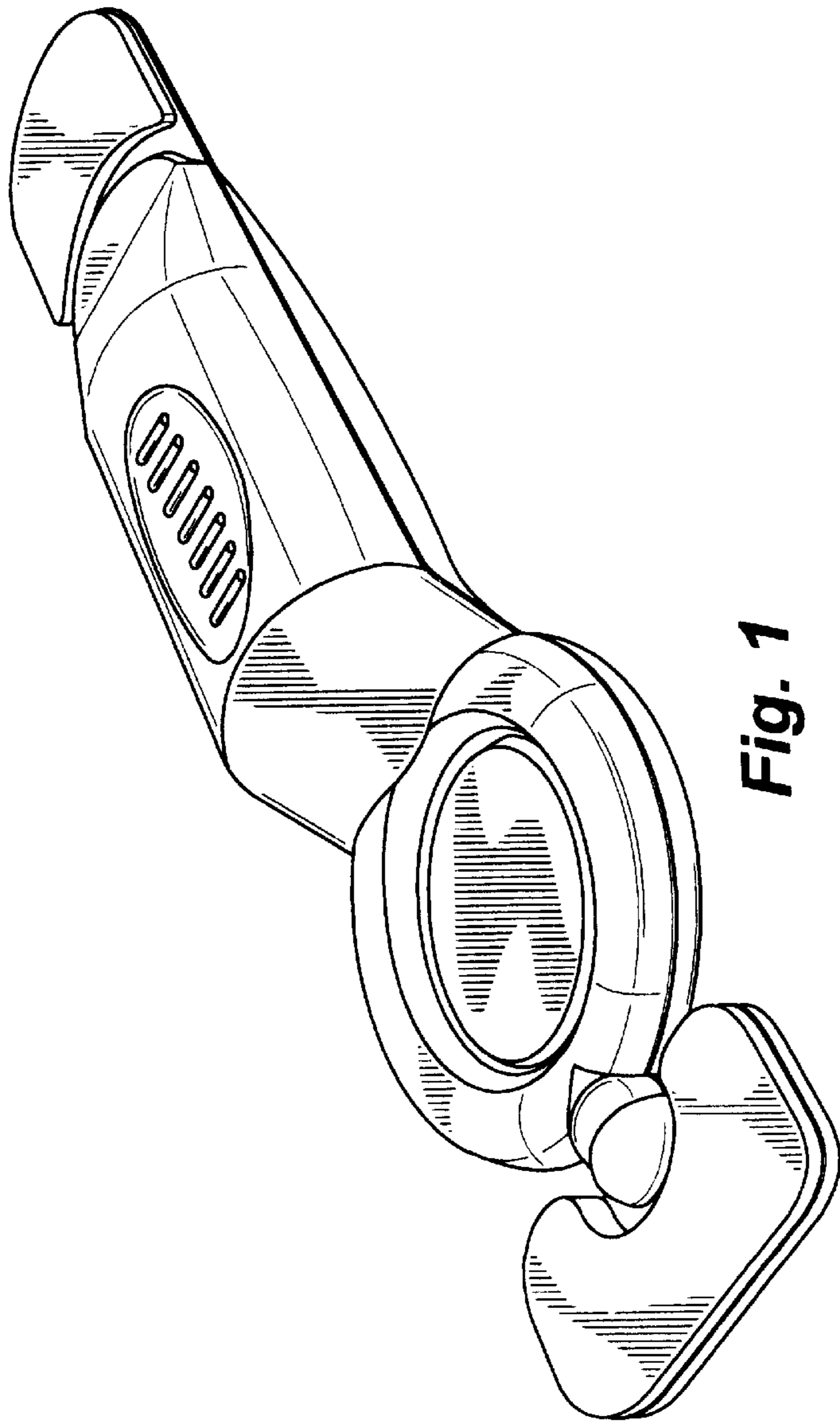


Fig. 1

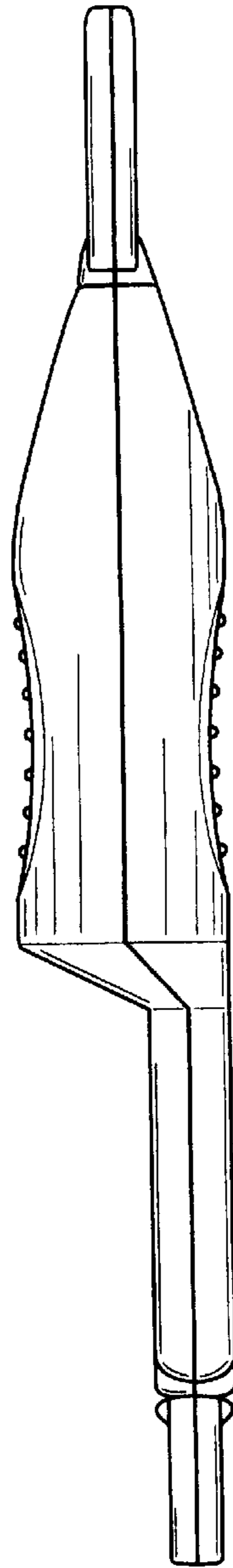


Fig. 2

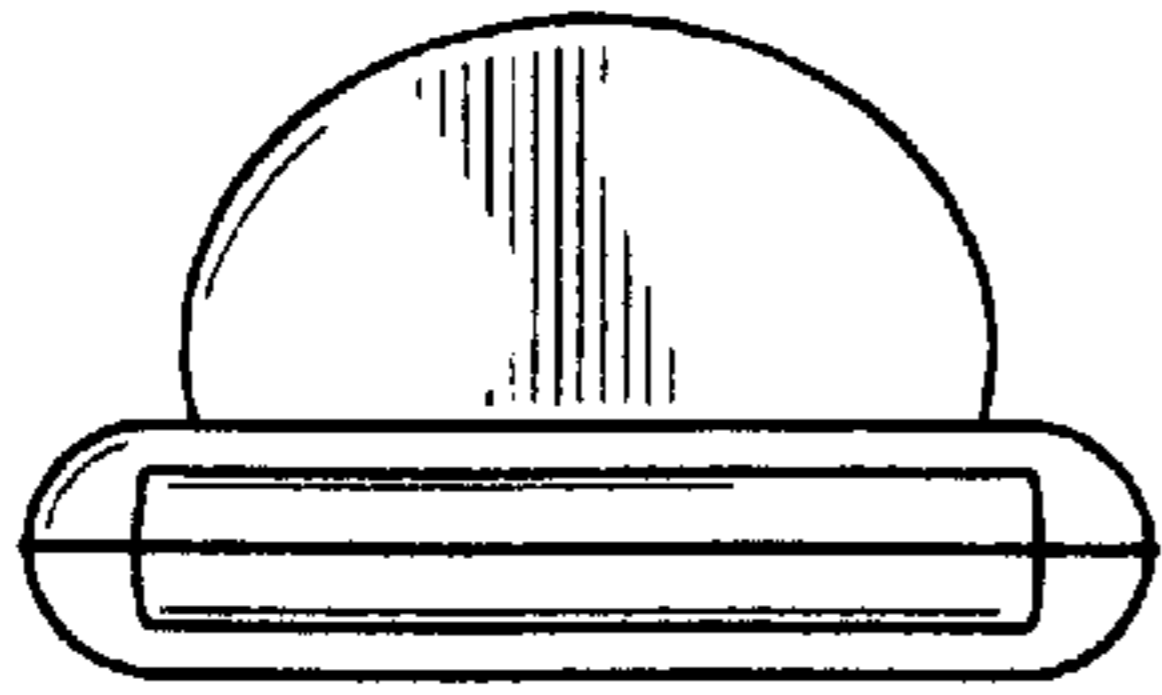


Fig. 3

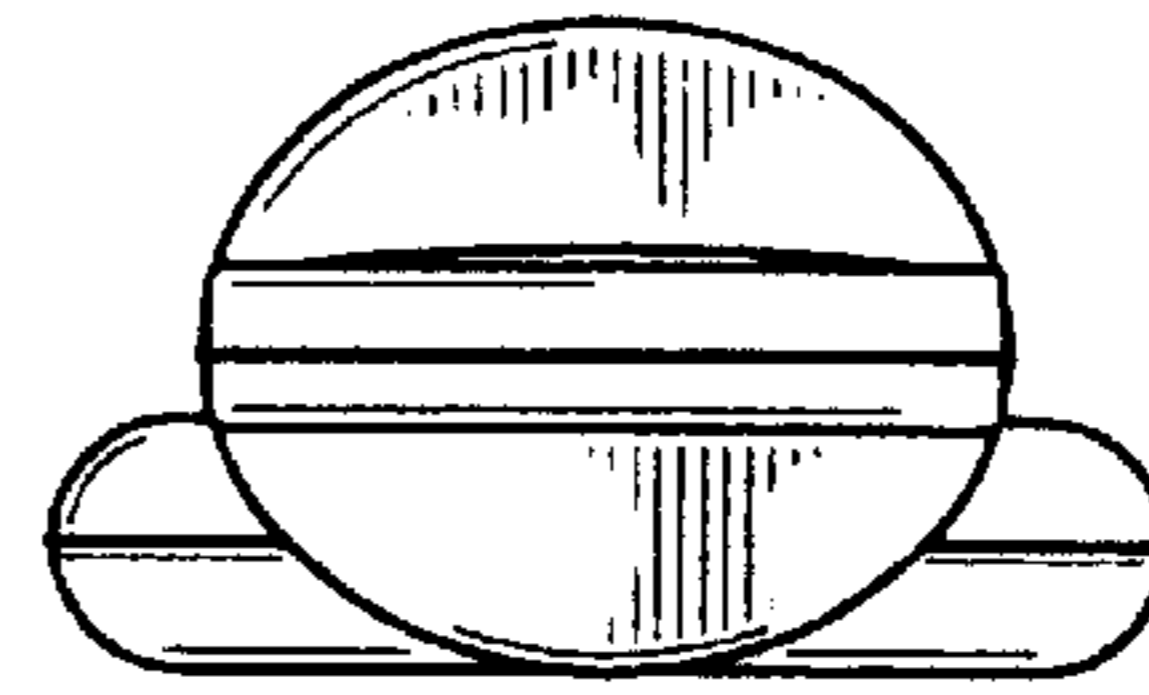


Fig. 4

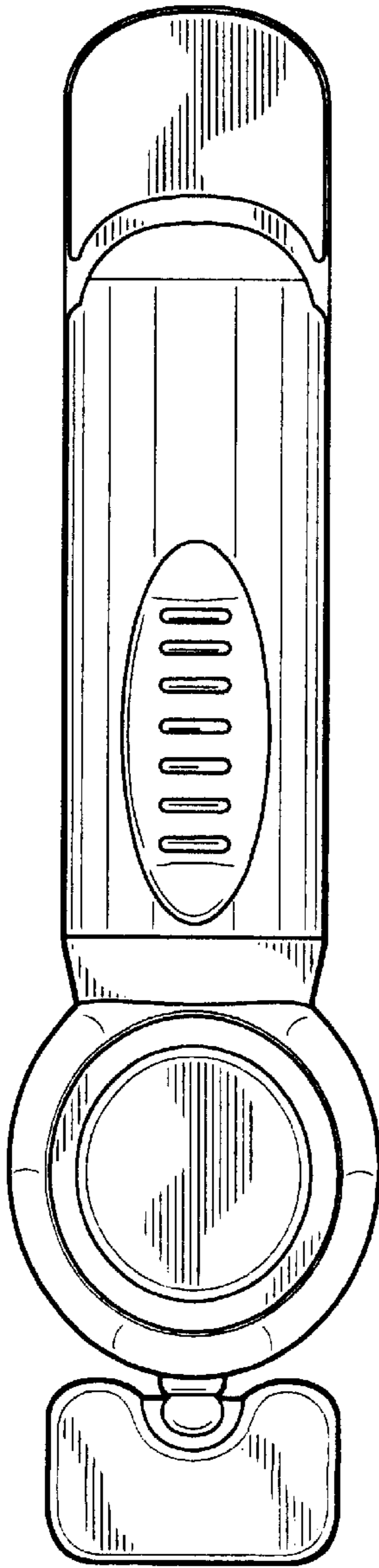


Fig. 5

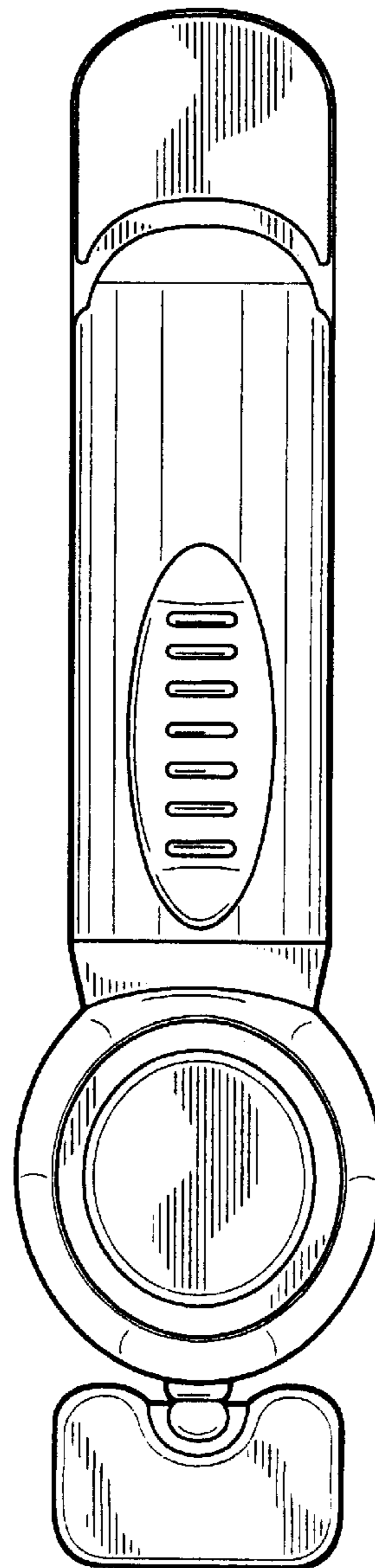


Fig. 6

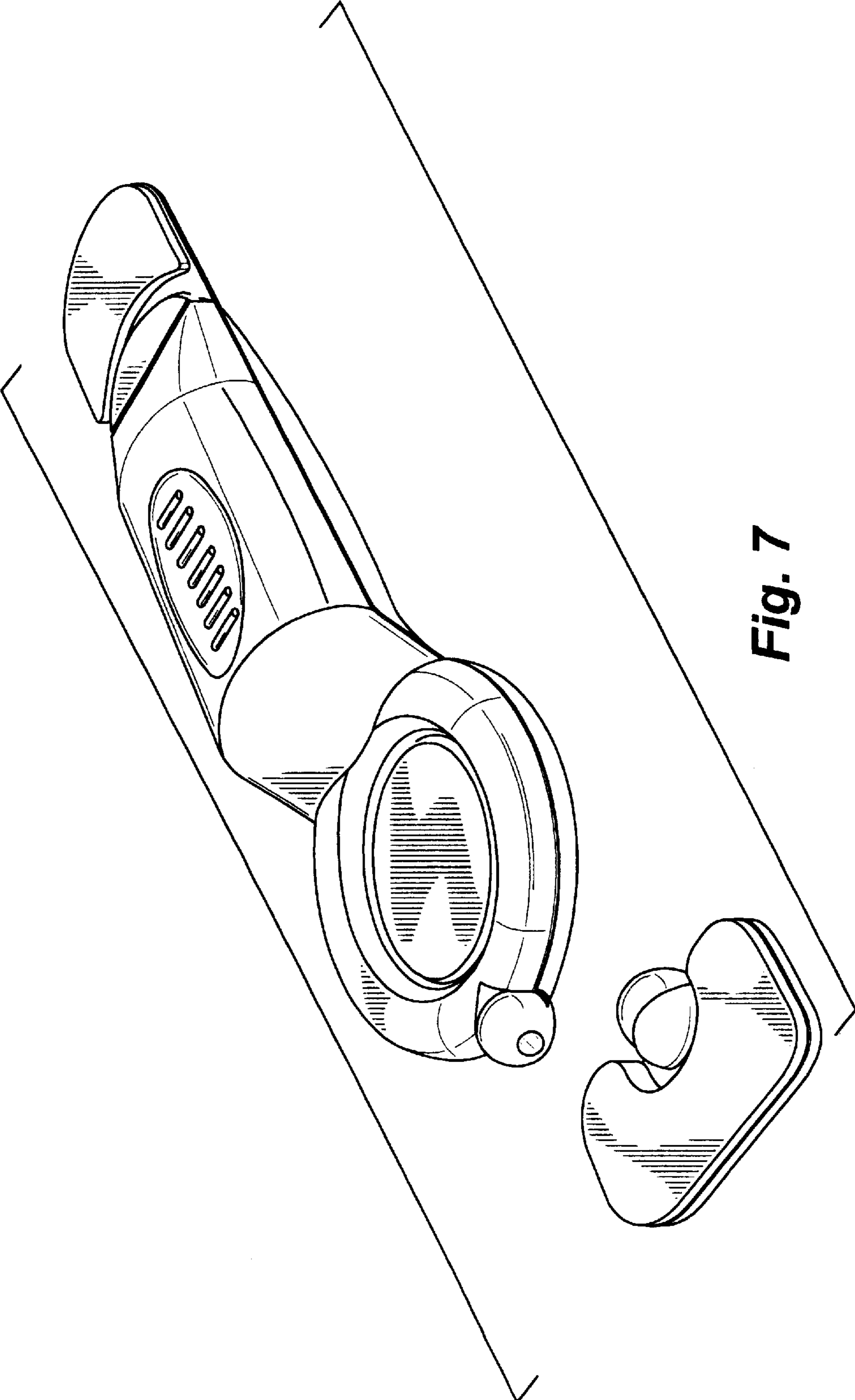


Fig. 7