



US00D534643S

(12) **United States Design Patent**
Lange

(10) **Patent No.:** **US D534,643 S**
(45) **Date of Patent:** **** Jan. 2, 2007**

(54) **WINDOW FAN**

(76) **Inventor:** **Homer Selim Lange**, 11409 Dewey Rd., Silver Spring, MD (US) 20906

(**) **Term:** **14 Years**

(21) **Appl. No.:** **29/206,082**

(22) **Filed:** **May 26, 2004**

(51) **LOC (8) Cl.** **23-04**

(52) **U.S. Cl.** **D23/370**

(58) **Field of Classification Search** D23/370,
D23/351, 354, 381; 416/244 R; 454/208,
454/201

See application file for complete search history.

(56) **References Cited**

U.S. PATENT DOCUMENTS

D388,163 S * 12/1997 Cuning D23/370

D430,661 S * 9/2000 Doczy D23/411

* cited by examiner

Primary Examiner—Lisa Lichtenstein

(74) *Attorney, Agent, or Firm*—Eugene Berman

(57) **CLAIM**

The ornamental design for a window fan, as shown and described.

DESCRIPTION

FIG. 1 is a front perspective view of a window fan showing my new design;

FIG. 2 is a front view thereof;

FIG. 3 is a right side view thereof, the left side view being a mirror image of the right side view;

FIG. 4 is a rear view thereof; and,

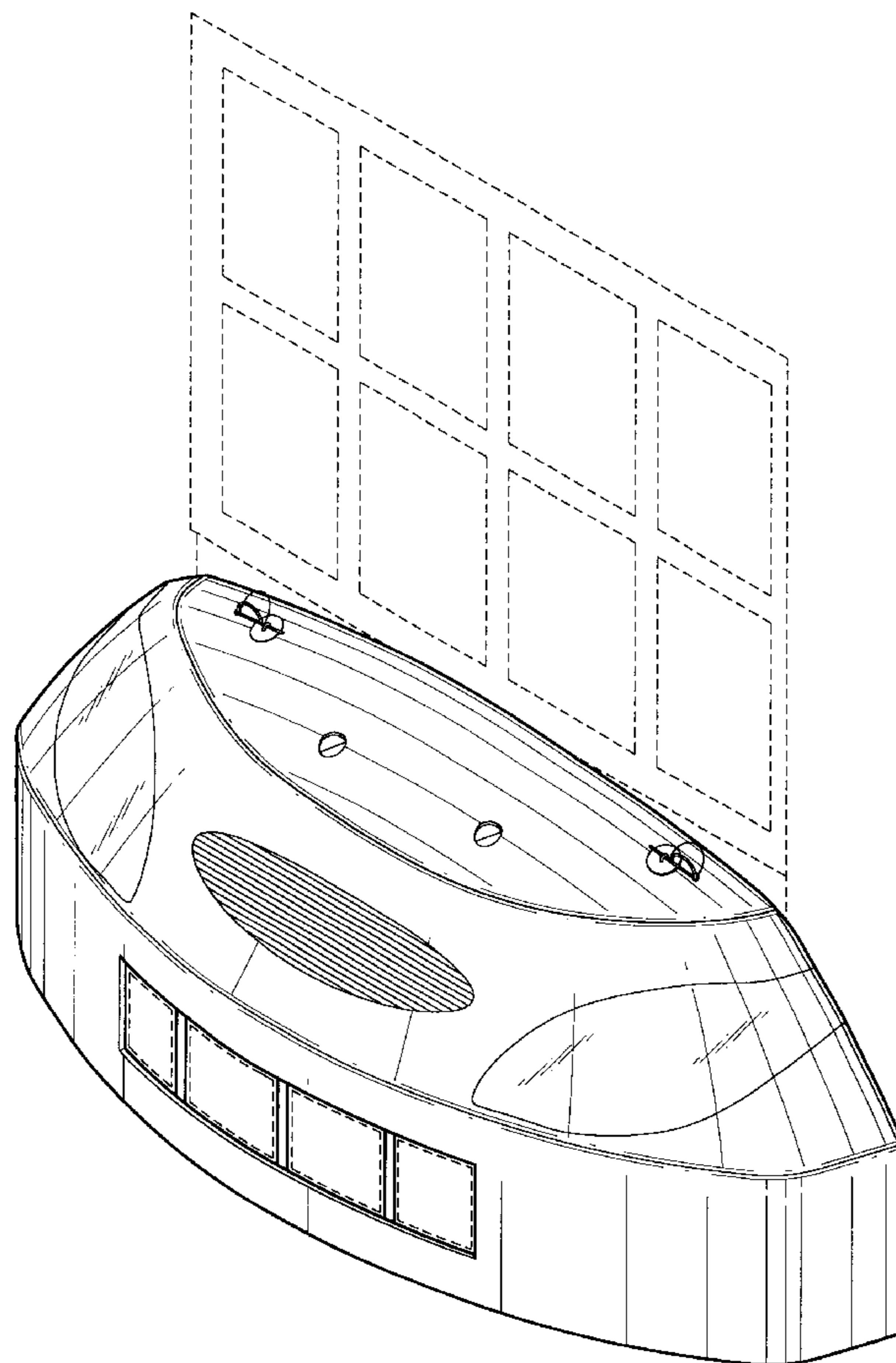
FIG. 5 is a top view thereof.

In FIG. 1, the broken line disclosure of the window is for illustrative purposes only and forms no part of the claimed design.

In FIGS. 1, 2, 3, the broken line disclosure of a fan's air intake is for illustrative purposes only (e.g., it may be a one or more screens or grills of various shapes) and forms no part of the claimed design.

In FIG. 4, the broken line disclosure of fan blades and size adjusting means is for illustrative purposes only and form no part of the claimed design.

1 Claim, 3 Drawing Sheets



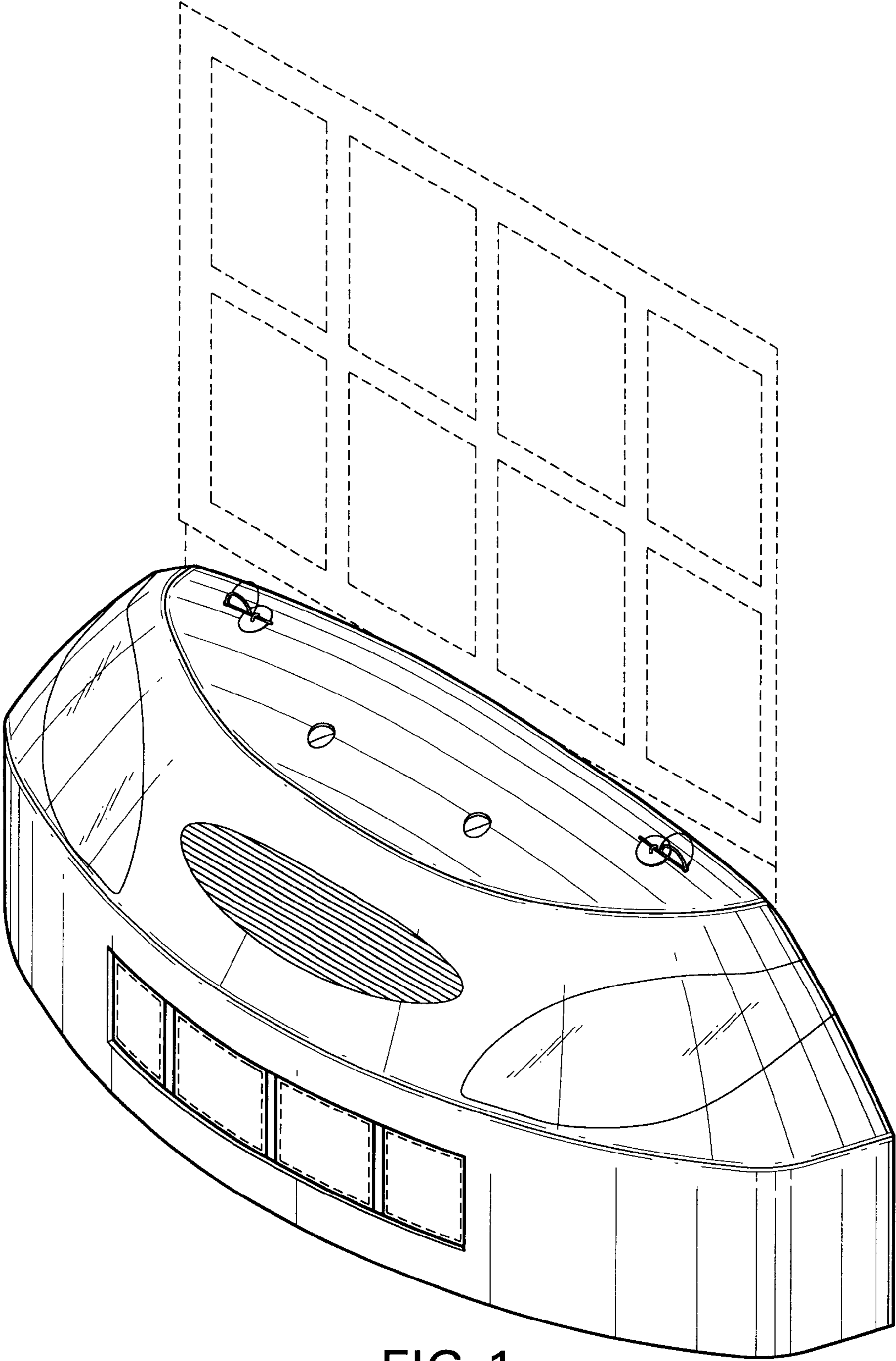


FIG. 1

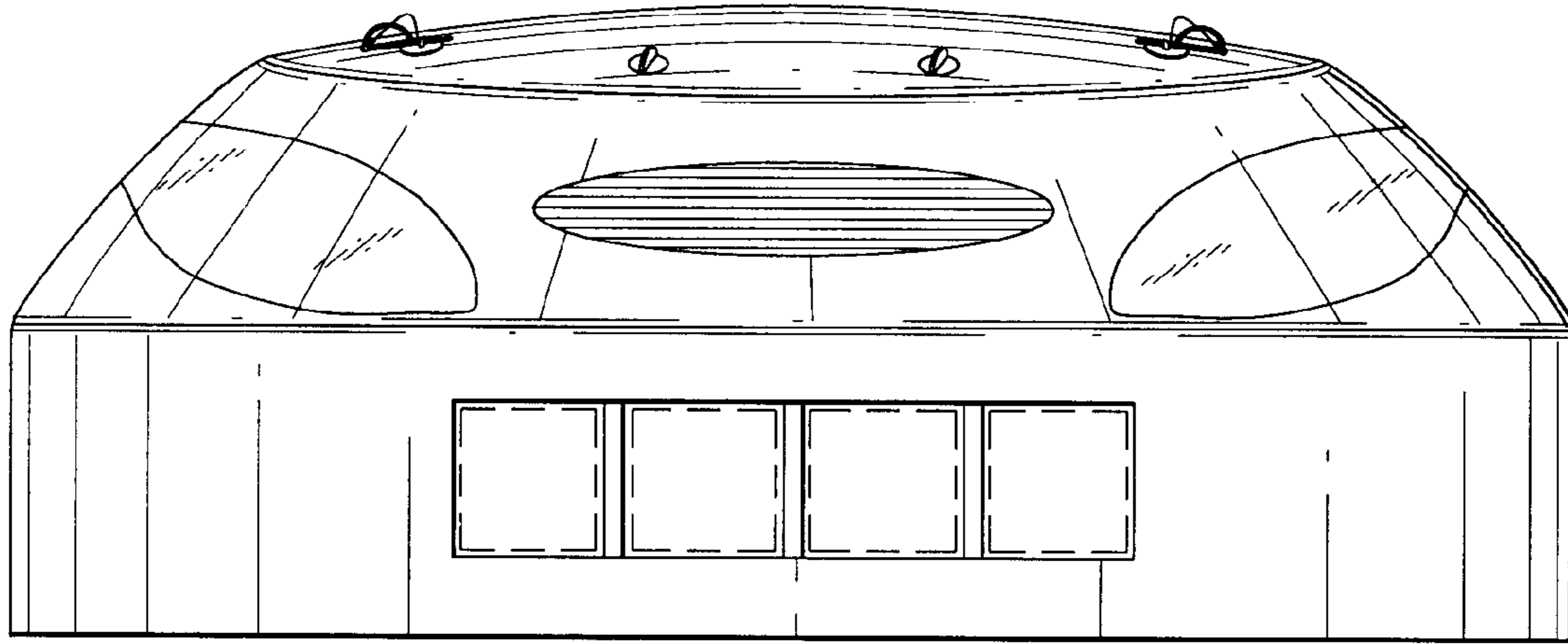


FIG. 2

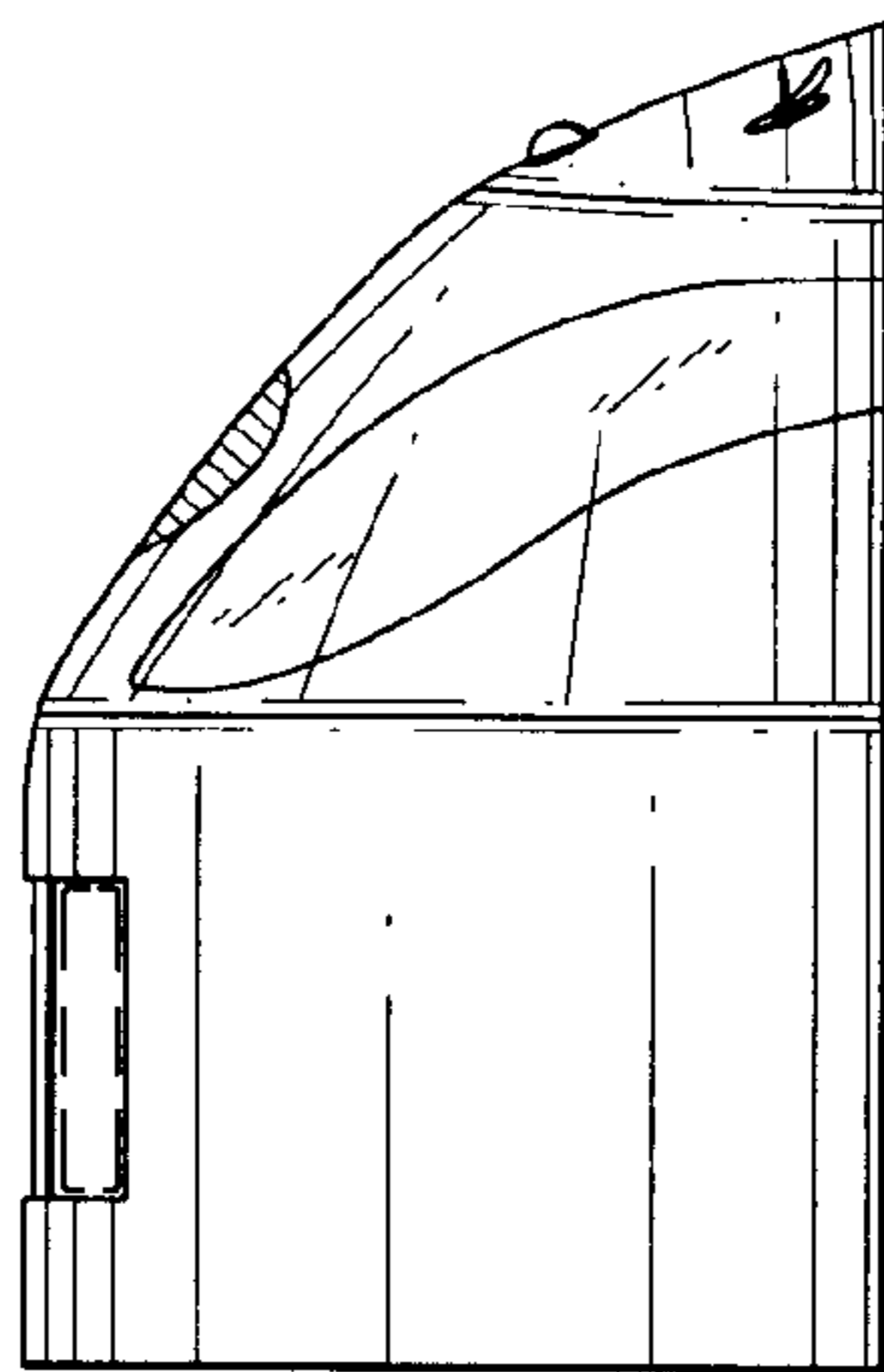


FIG. 3

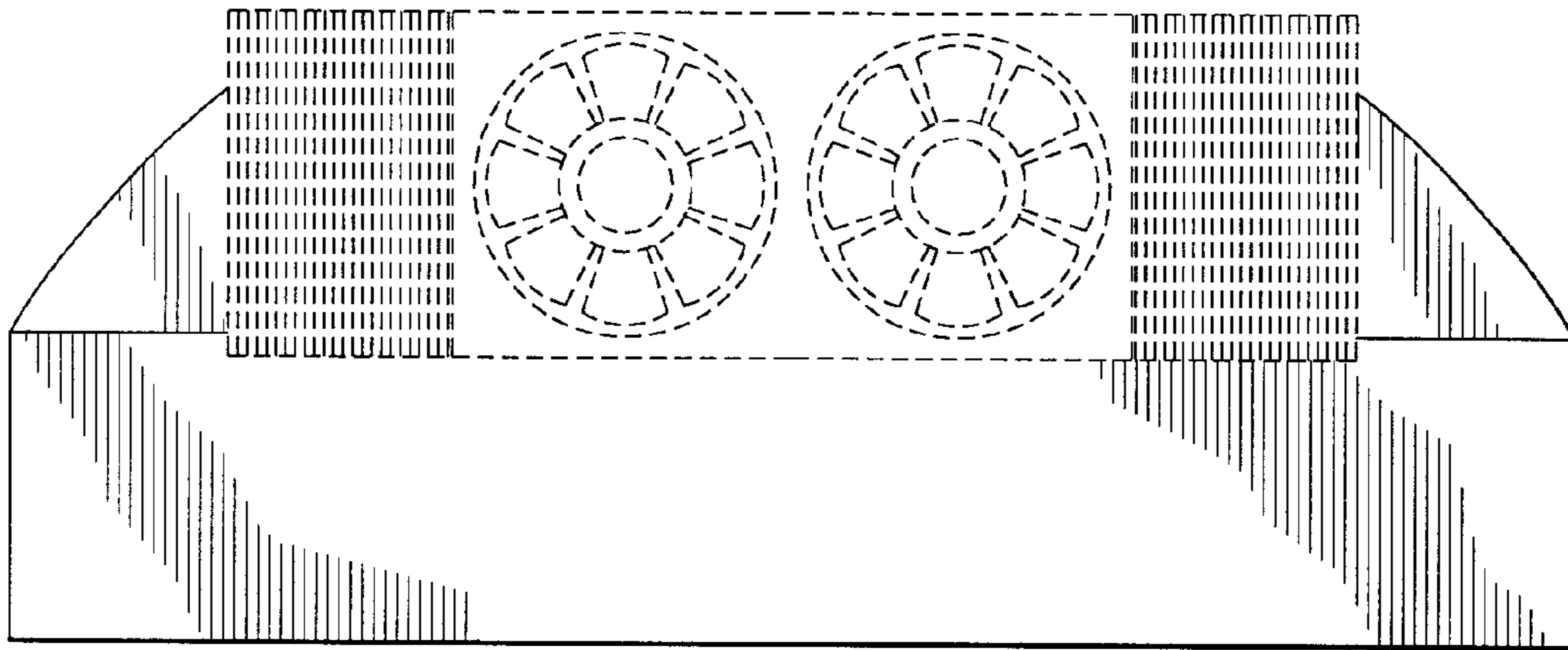


FIG. 4

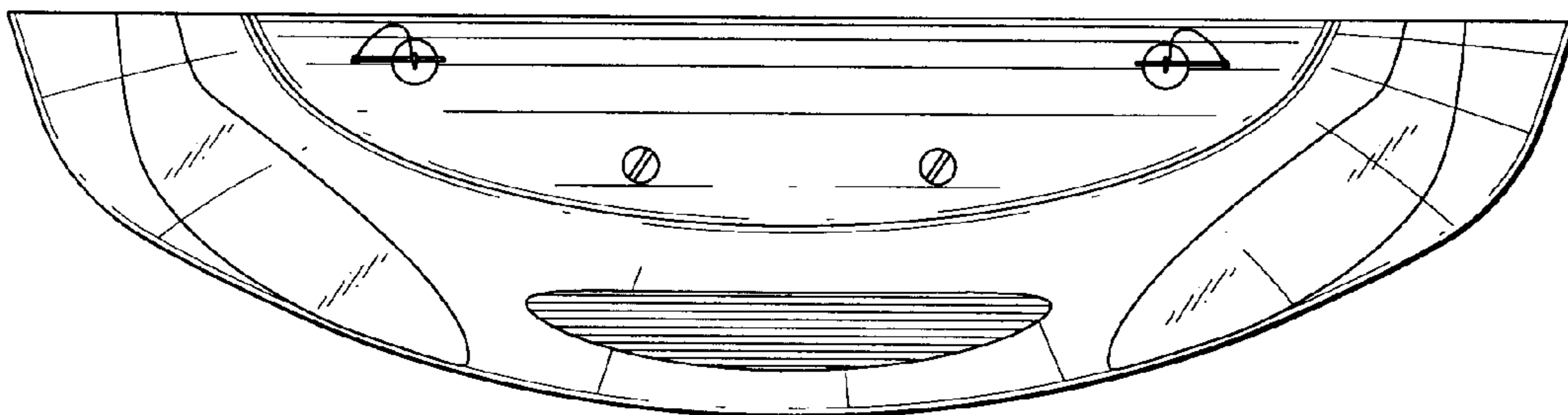


FIG. 5