



US00D534641S

(12) **United States Design Patent**
Chen

(10) **Patent No.:** **US D534,641 S**

(45) **Date of Patent:** **** Jan. 2, 2007**

(54) **AROMA DISPENSING DEVICES**

(76) Inventor: **Wen Jye Chen**, 1F, 15, Lane 191, Xin
Hu 2nd Road, Nei Hu, Taipei (TW)

(**) Term: **14 Years**

(21) Appl. No.: **29/234,262**

(22) Filed: **Jul. 14, 2005**

(51) **LOC (8) Cl.** **28-99**

(52) **U.S. Cl.** **D23/366**

(58) **Field of Classification Search** 392/386,
392/390-394, 398, 401, 403, 405-406; 239/135-136,
239/34, 35, 56-58, 37, 41, 42, 60; 261/DIG. 17,
261/DIG. 65, DIG. 88, DIG. 89; D23/355-369
See application file for complete search history.

(56) **References Cited**

U.S. PATENT DOCUMENTS

5,527,493	A	*	6/1996	McElfresh et al.	261/30
D398,047	S	*	9/1998	Chen	D23/366
D398,390	S	*	9/1998	Chen	D23/366
D398,976	S	*	9/1998	Green	D23/367
D419,659	S	*	1/2000	Yang	D23/366
D424,677	S	*	5/2000	Chen	D23/366
D438,608	S	*	3/2001	Chen	D23/366
D454,627	S	*	3/2002	Pinchuk	D23/364
D477,389	S	*	7/2003	Chen	D23/366

D477,390	S	*	7/2003	Chen	D23/366
D477,391	S	*	7/2003	Chen	D23/366
D488,549	S	*	4/2004	Chen	D23/366
D495,045	S	*	8/2004	Chen	D23/366
D519,622	S	*	4/2006	Cocchi	D23/366
D519,624	S	*	4/2006	Chen	D23/368
D521,138	S	*	5/2006	Wu	D23/366

* cited by examiner

Primary Examiner—Sandra S. Snapp

(74) *Attorney, Agent, or Firm*—Pro-Tehtor Int'l Services

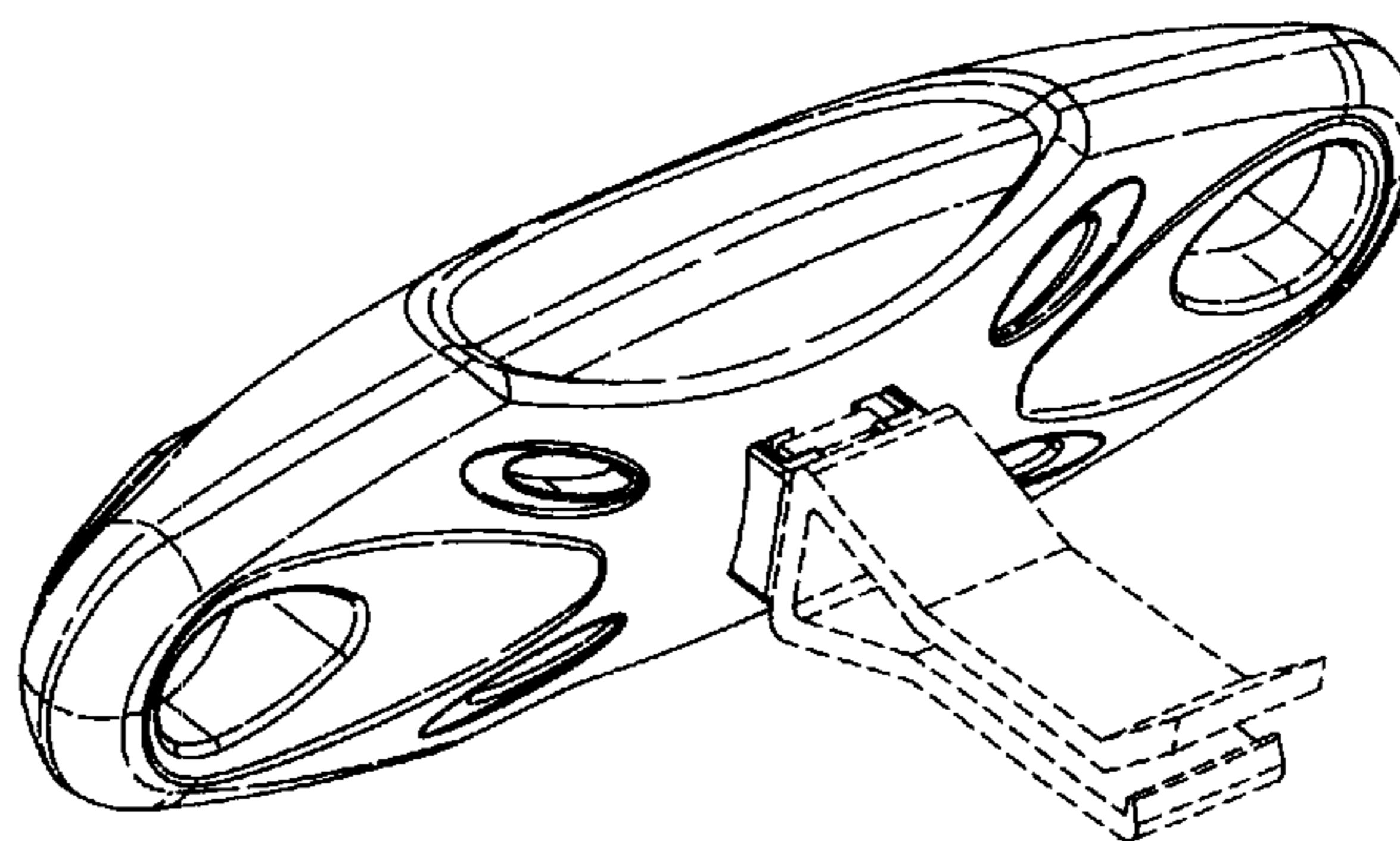
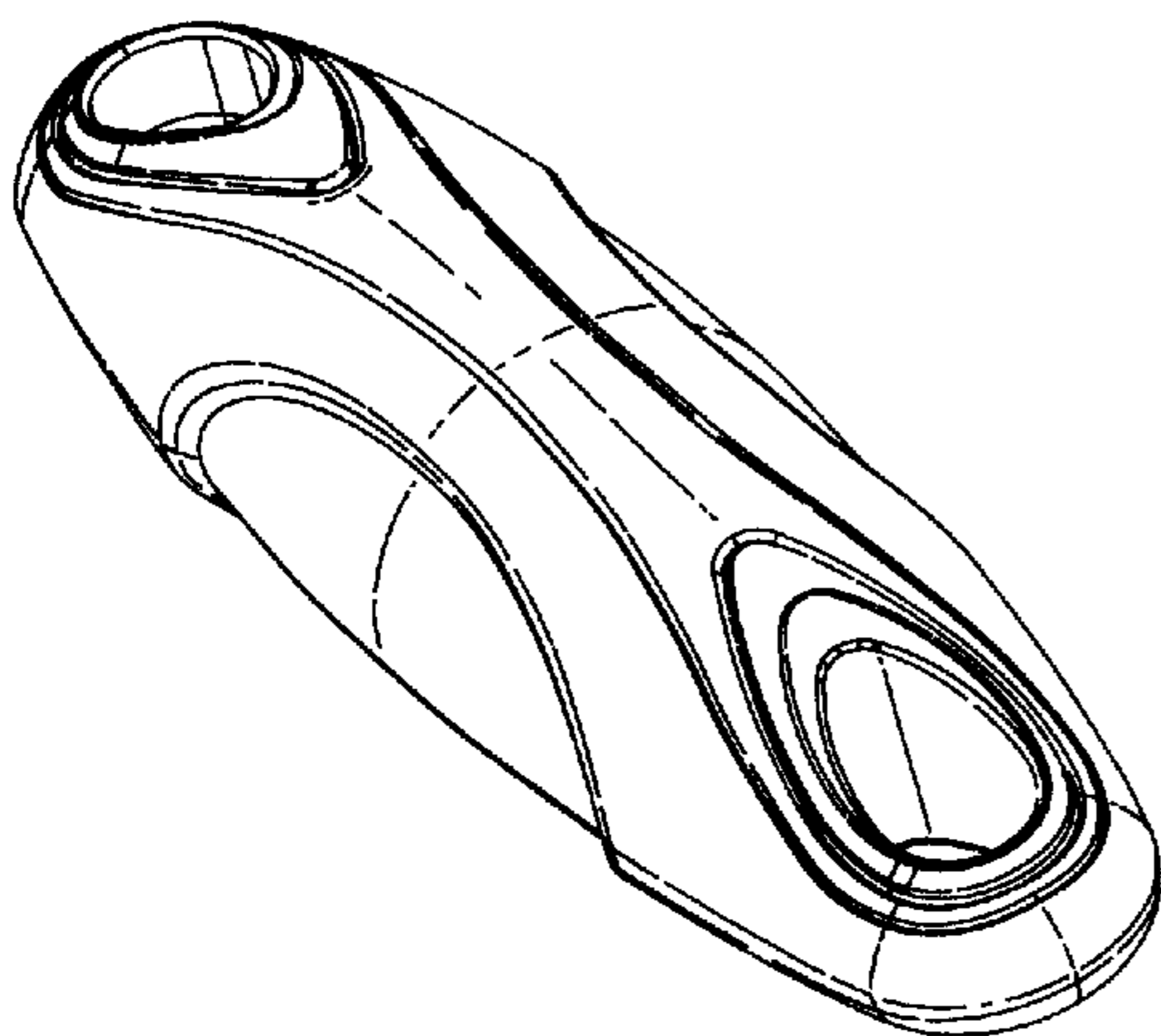
(57) **CLAIM**

The ornamental design for an aroma dispensing devices, as shown and described.

DESCRIPTION

FIG. 1 is a front perspective view of an aroma dispensing devices showing my new design;
FIG. 2 is a front elevation view thereof;
FIG. 3 is a rear elevation view thereof;
FIG. 4 is a left side elevation view thereof;
FIG. 5 is a right side elevation view thereof;
FIG. 6 is a top plan view thereof;
FIG. 7 is a bottom plan view thereof; and,
FIG. 8 is a rear perspective view thereof, the broken line showing of a support is environmental only and forms no part of the claimed design.

1 Claim, 5 Drawing Sheets



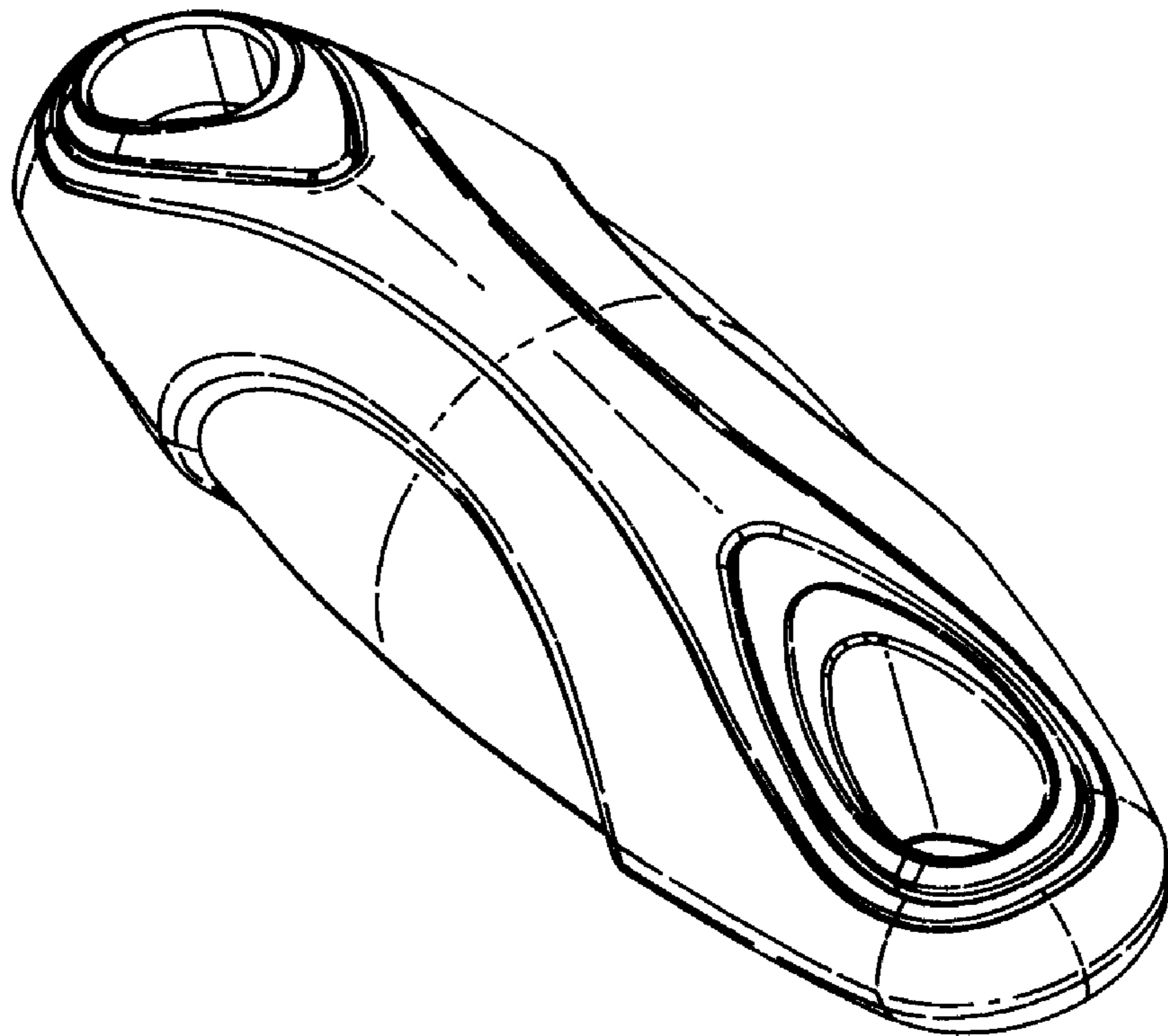


FIG. 1

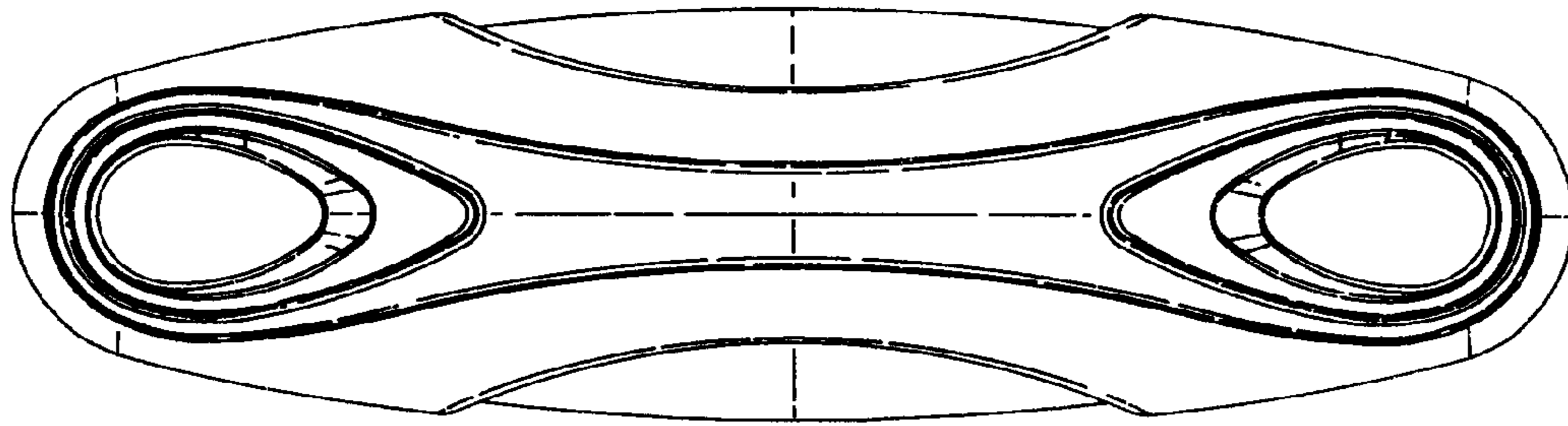


FIG. 2

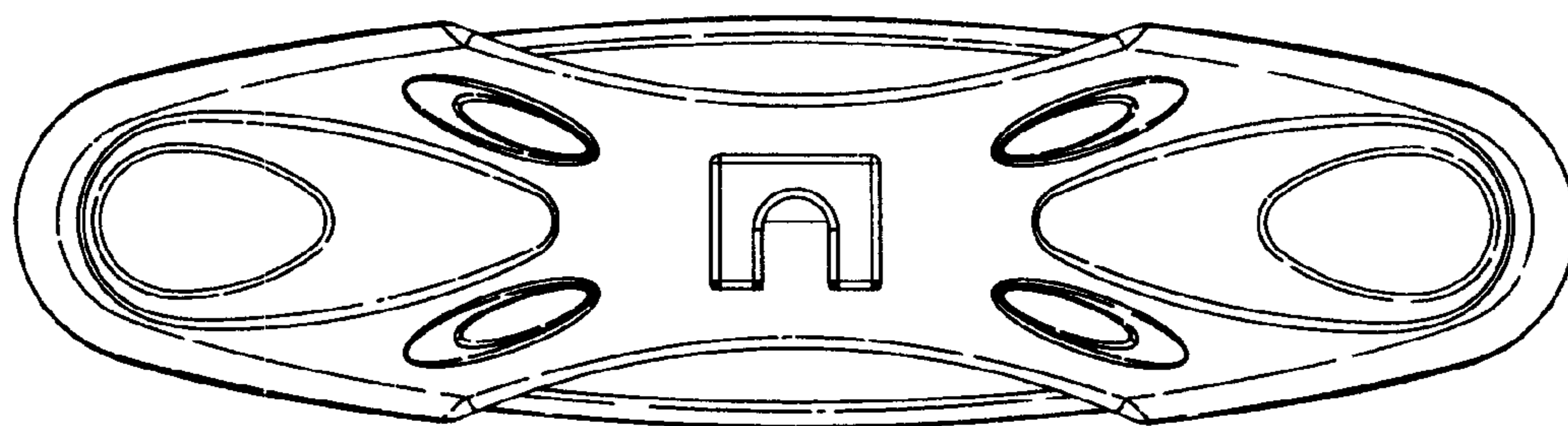


FIG. 3

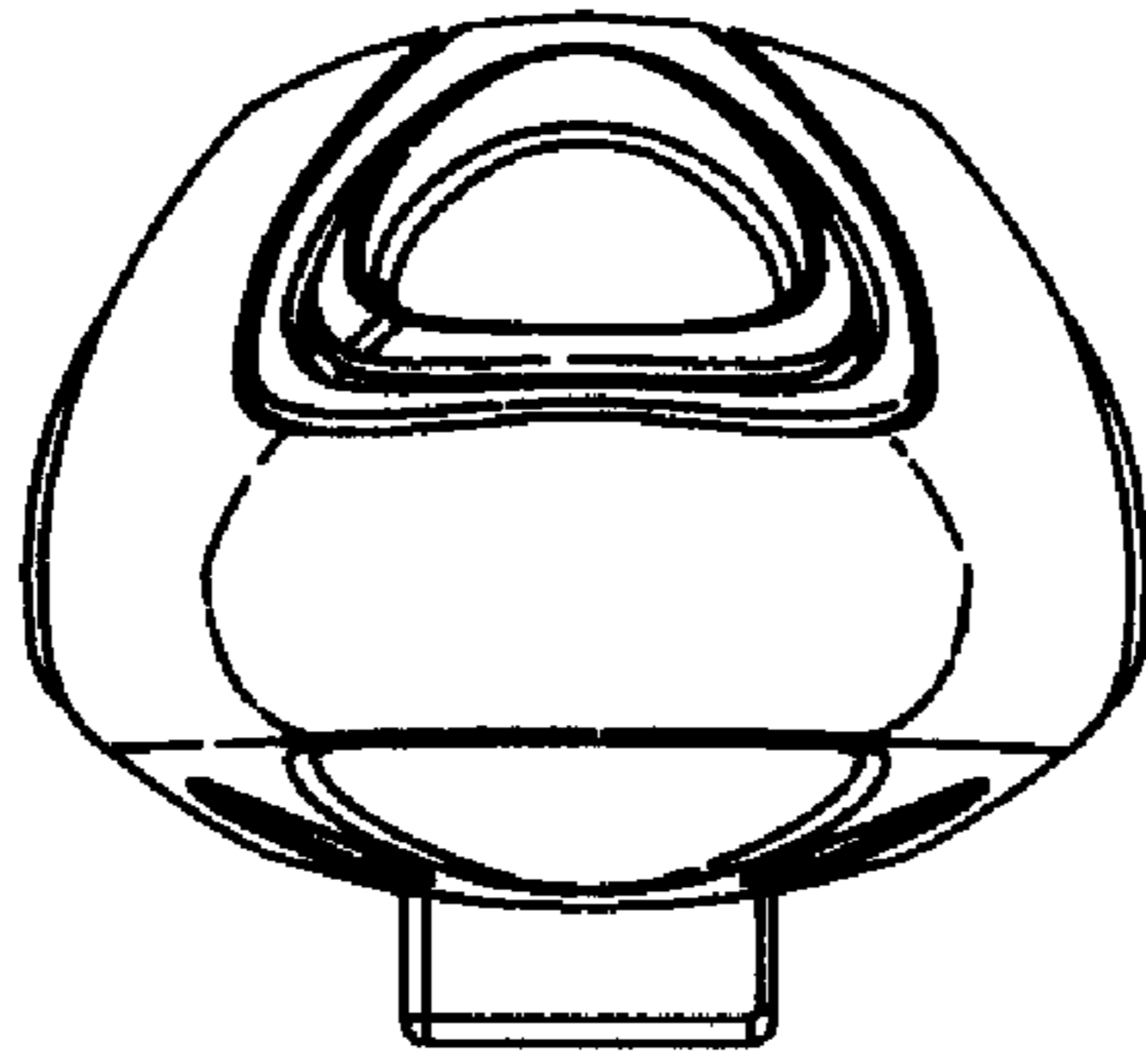


FIG. 4

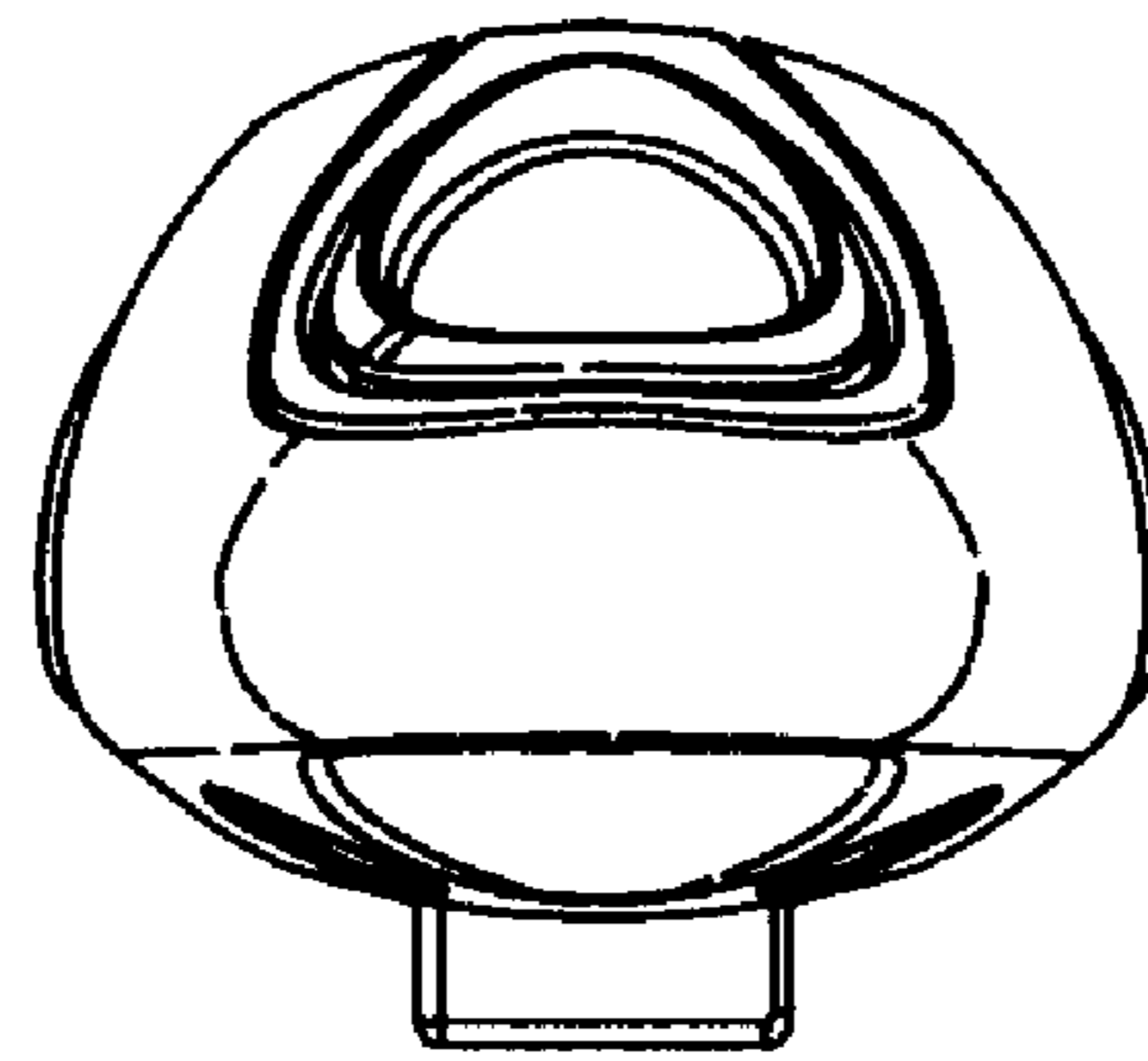


FIG. 5

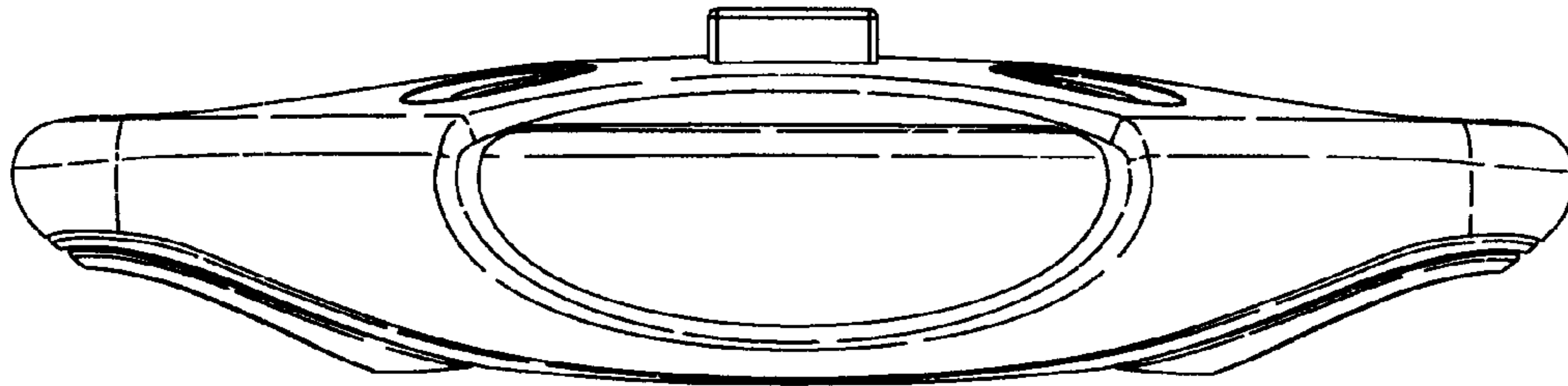


FIG. 6

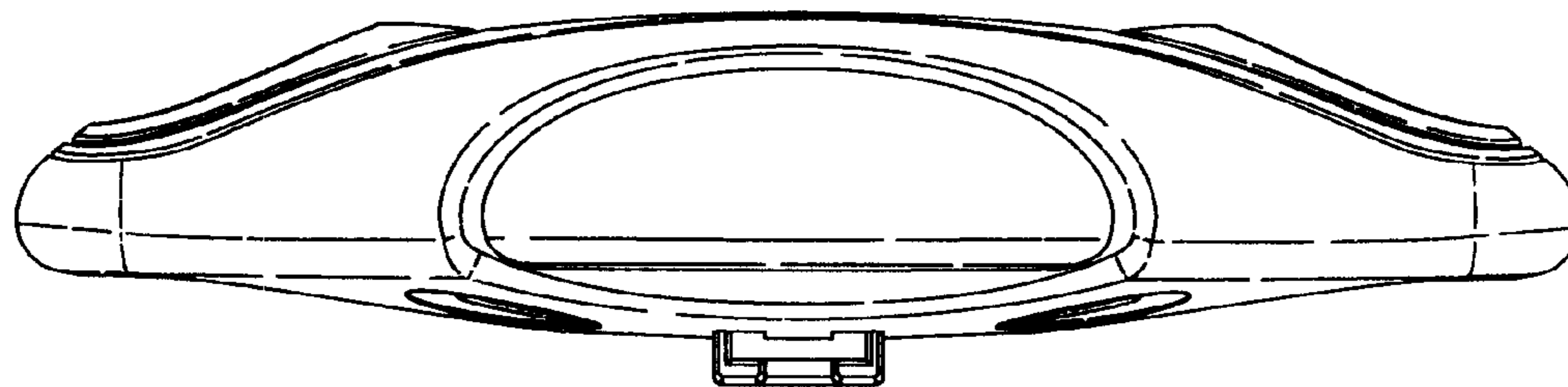


FIG. 7

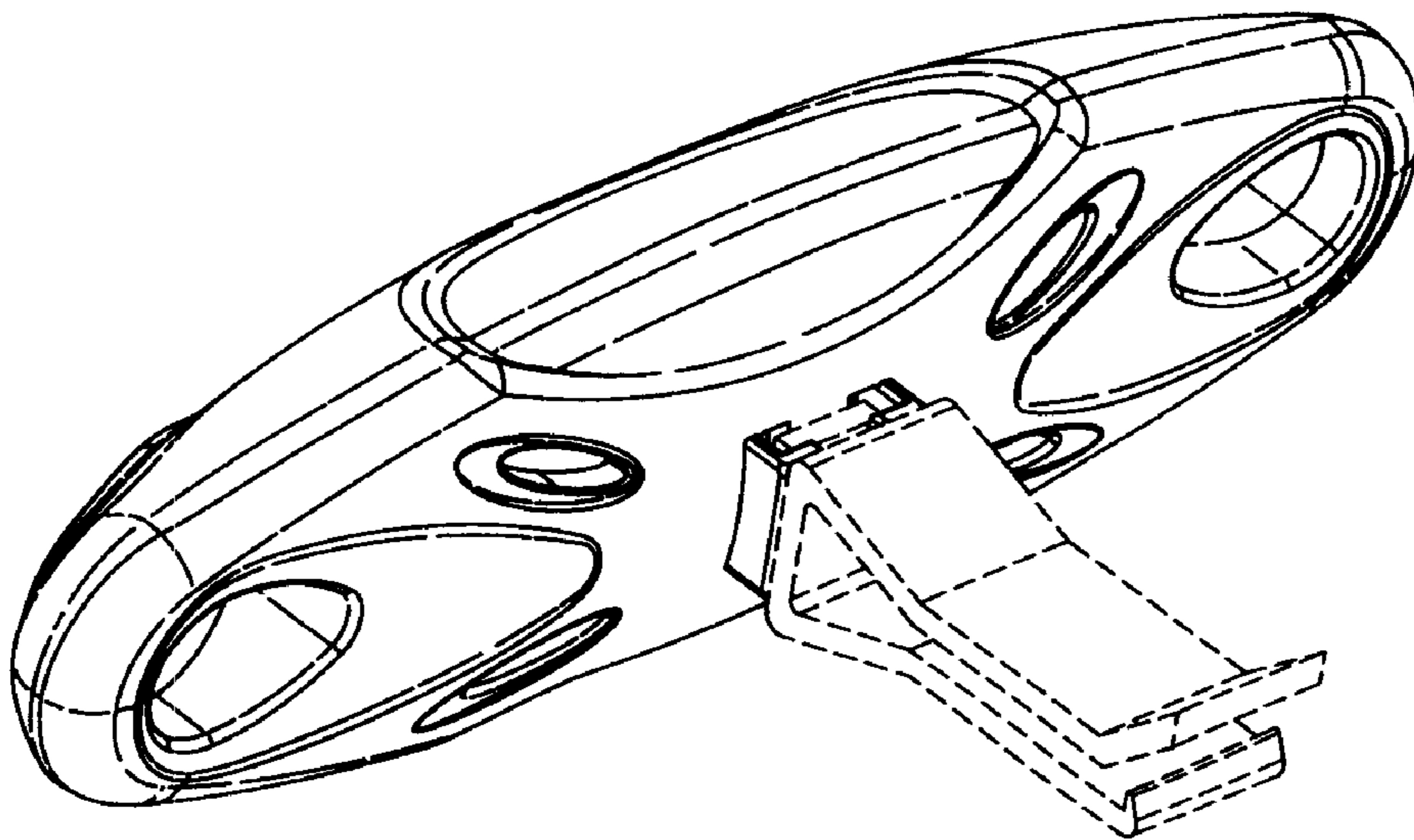


FIG. 8